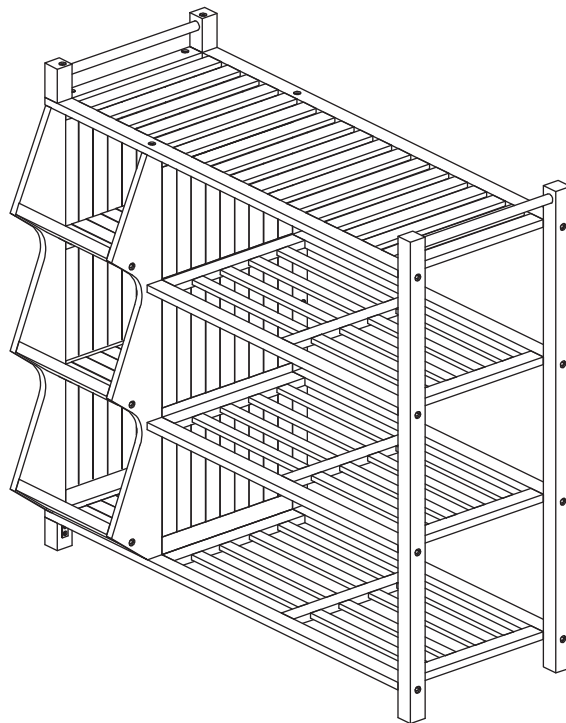


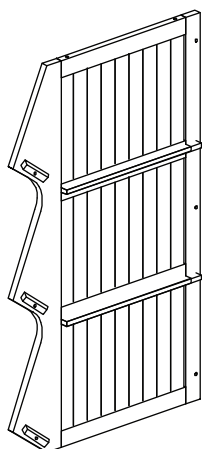
CARE INSTRUCTIONS

Thank you for choosing northbeam[™] 4-TIER OUTDOOR SHOE RACK CUBBY. With a little care and maintenance, the northbeam[™] 4-TIER OUTDOOR SHOE RACK CUBBY will provide you with comfort and enjoyment for many years to come!

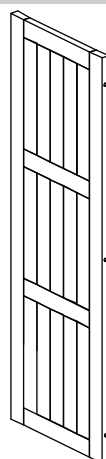
- To clean panels, use clean water on a damp cloth.
- When assembling northbeam[™] 4-TIER OUTDOOR SHOE RACK CUBBY, please handle all the panels and/or hardware with care to avoid any possibilities of damages and/or injuries.
- Cover during harsh weather to keep it from weathering.
- It is highly recommended that you treat the northbeam[™] 4-TIER OUTDOOR SHOE RACK CUBBY with a weatherproof coating of stain once a year, to increase life expectancy and maintain the look.



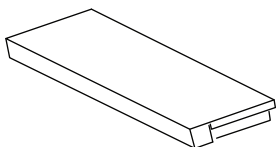
NOTE: Please read all instructions carefully before starting assembly. Also, we recommend that the unit is fully assembled on a level surface. Two people are recommended to assemble this product. **DO NOT** over torque screws and bolts.



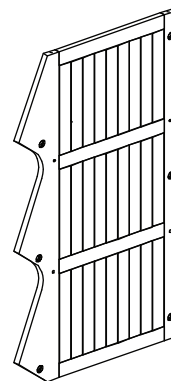
1 CUBBY, LEFT SIDE PANEL X 1PC



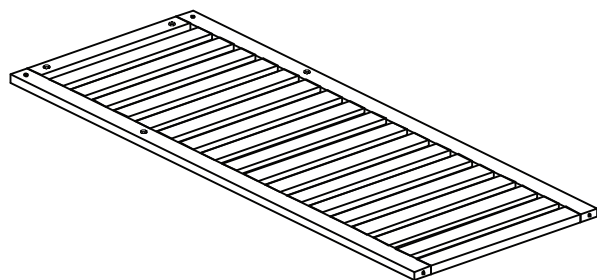
2 CUBBY, BACK PANEL X 1PC



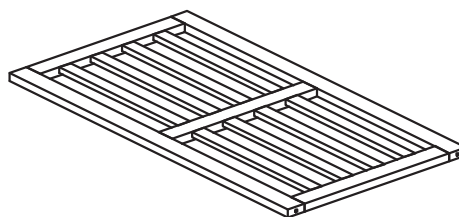
3 CUBBY, FRONT CROSSER X 3PCS



4 CUBBY, RIGHT SIDE PANEL X 1PC

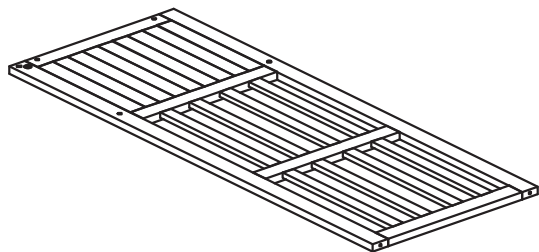


5 TOP PANEL X 1PC

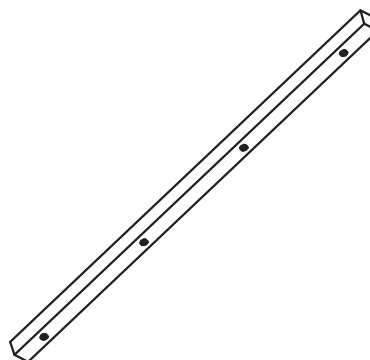


6 MID SHELF PANEL X 2PCS

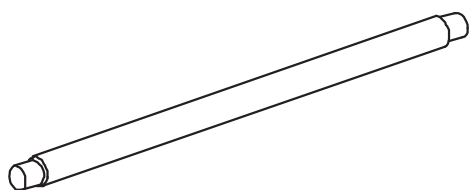
NOTE: Please read all instructions carefully before starting assembly.
 Also, we recommend that the unit is fully assembled on a level surface.
 Two people are recommended to assemble this product.
 DO NOT over torque screws and bolts.



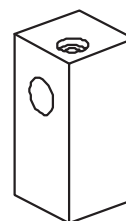
7 BOTTOM PANEL X **1PC**



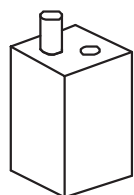
8 SHELF, RIGHT SIDE POST X **2PCS**



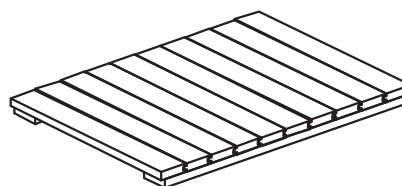
9 ROUND CROSS BAR X **2PCS**



10 CUBBY, LEFT SIDE TOP POST X **2PCS**



11 CUBBY, LEFT SIDE FOOT X **2PCS**




12 CUBBY, SHELF X **2PCS**

NOTE: Please read all instructions carefully before starting assembly.
 Also, we recommend that the unit is fully assembled on a level surface.
 Two people are recommended to assemble this product.
 DO NOT over torque screws and bolts.


A  SCREW M5X35 18PCS

B  SCREW M5X60 8PCS

C  BOLT M6X75 2PCS

D  BOLT M6X65 2PCS

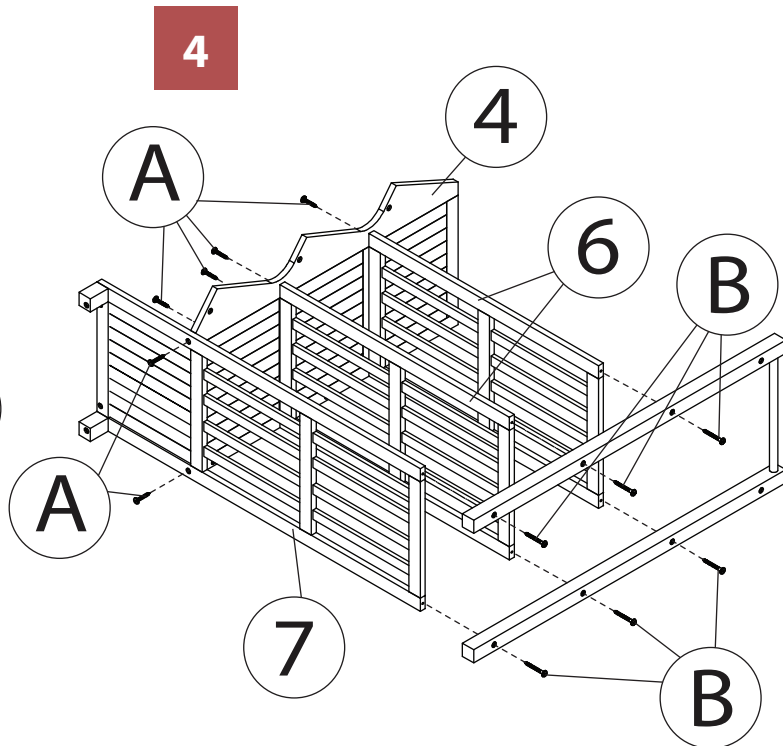
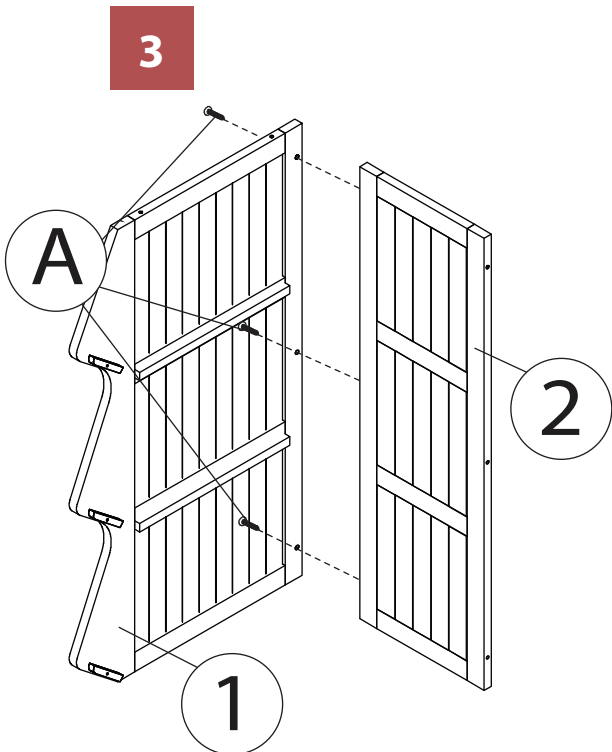
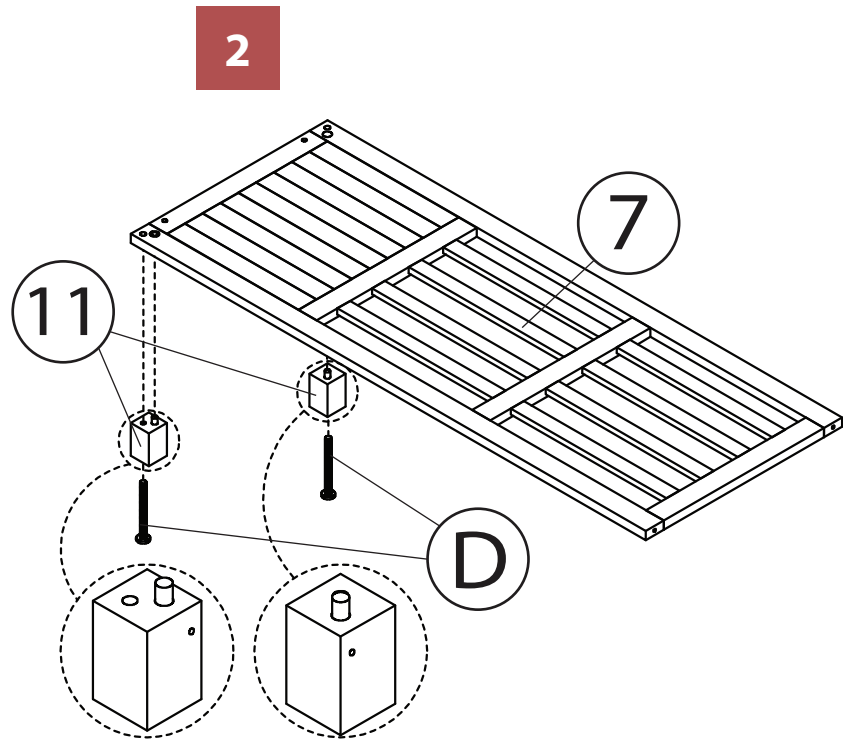
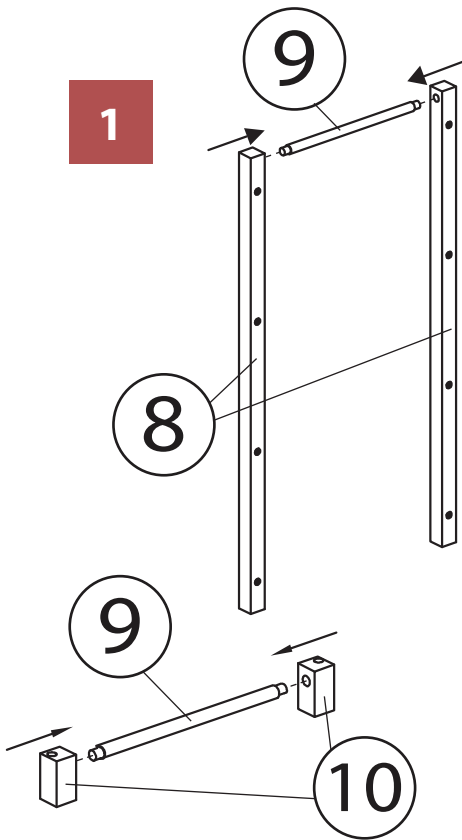
E  SUPPORT BRACKET 6PCS

F  SCREW 4X15 12PCS

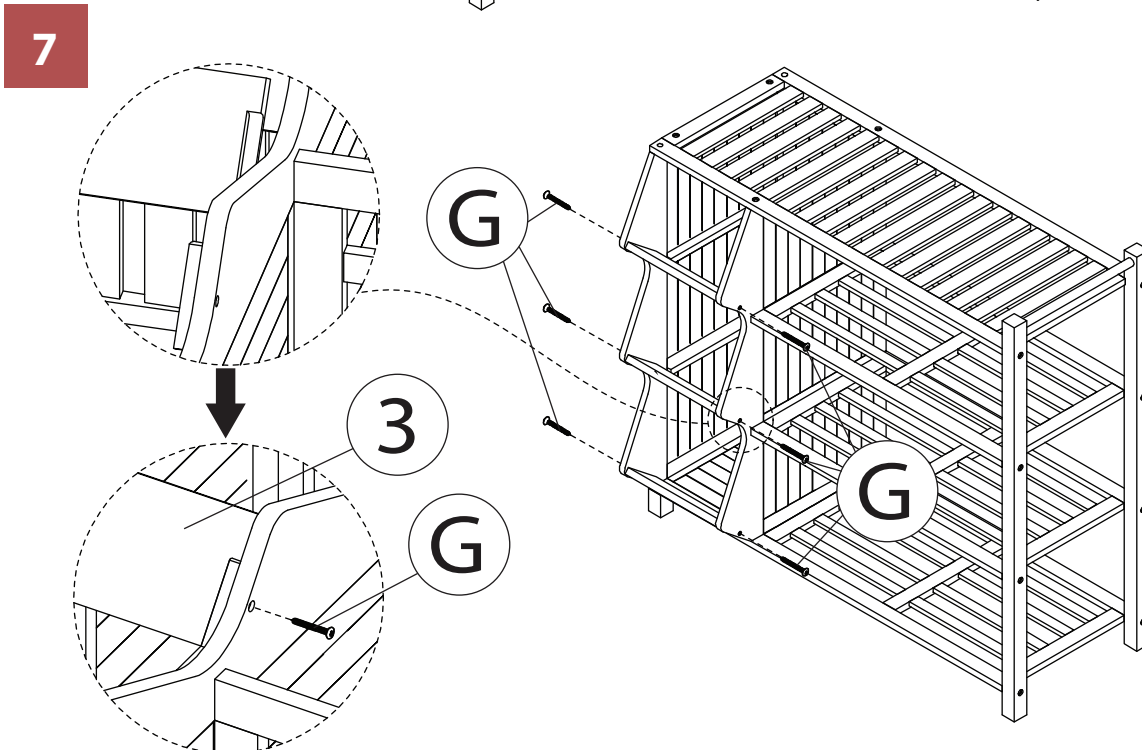
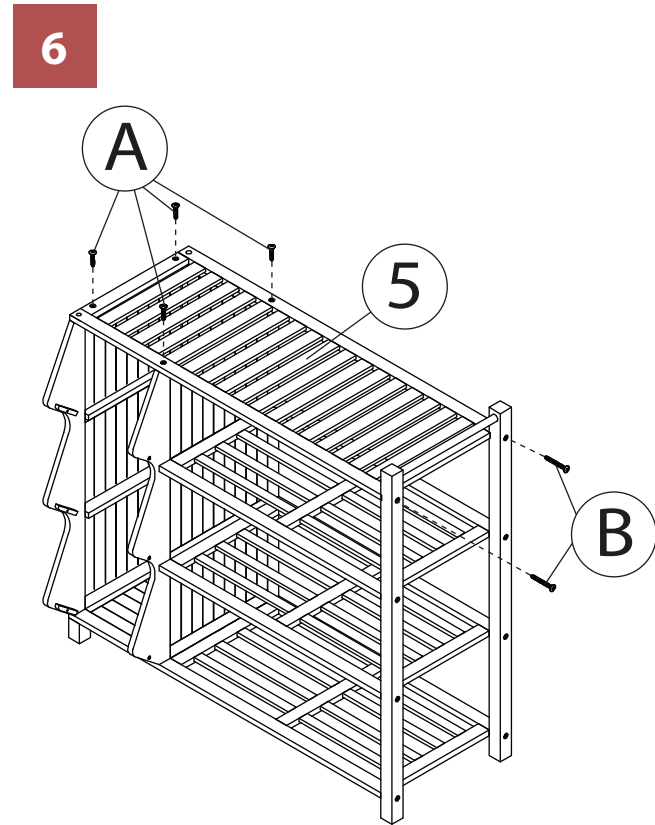
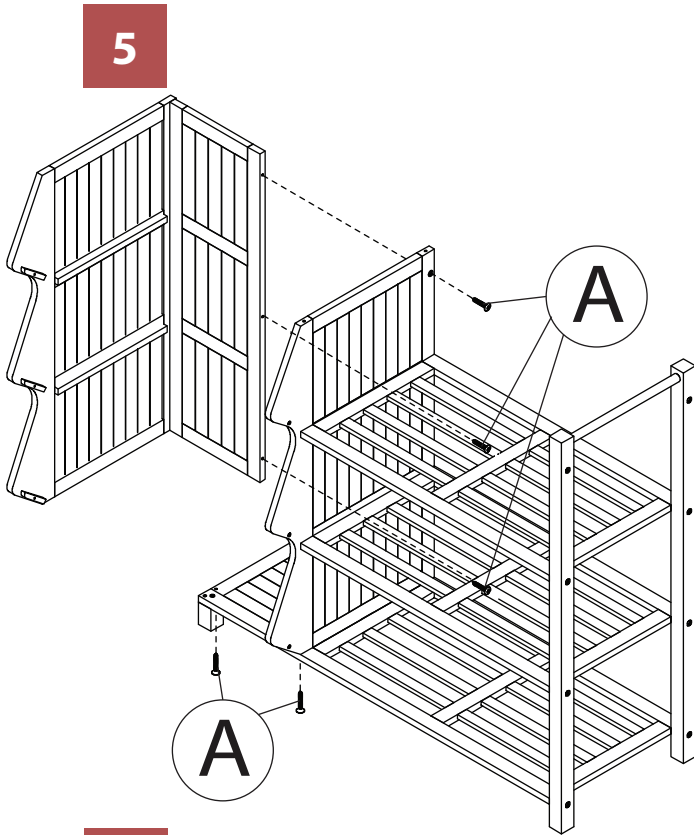
G  SCREW M4X50 6PCS

H  ALLEN KEY 2PCS

NOTE: Please read all instructions carefully before starting assembly.
 Also, we recommend that the unit is fully assembled on a level surface.
 Two people are recommended to assemble this product.
 DO NOT over torque screws and bolts.

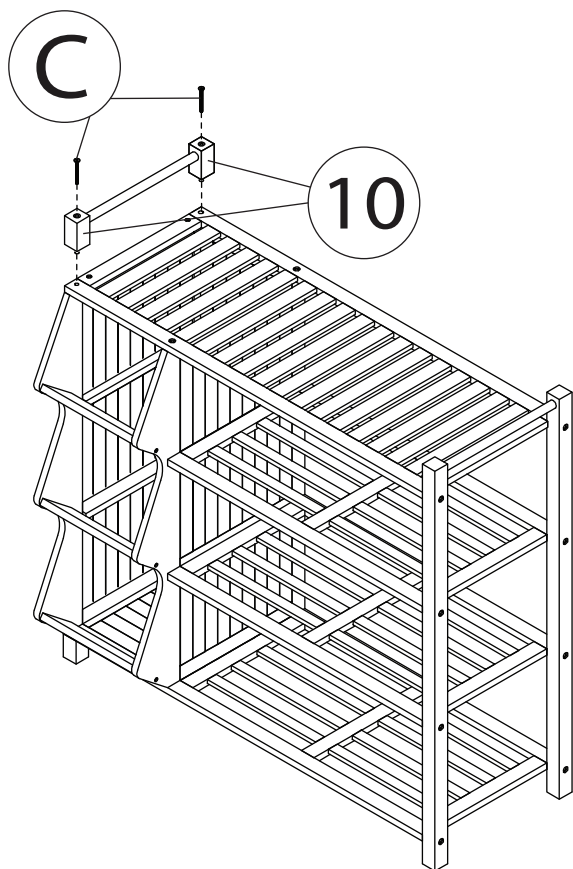


NOTE: Please read all instructions carefully before starting assembly.
 Also, we recommend that the unit is fully assembled on a level surface.
 Two people are recommended to assemble this product.
 DO NOT over torque screws and bolts.

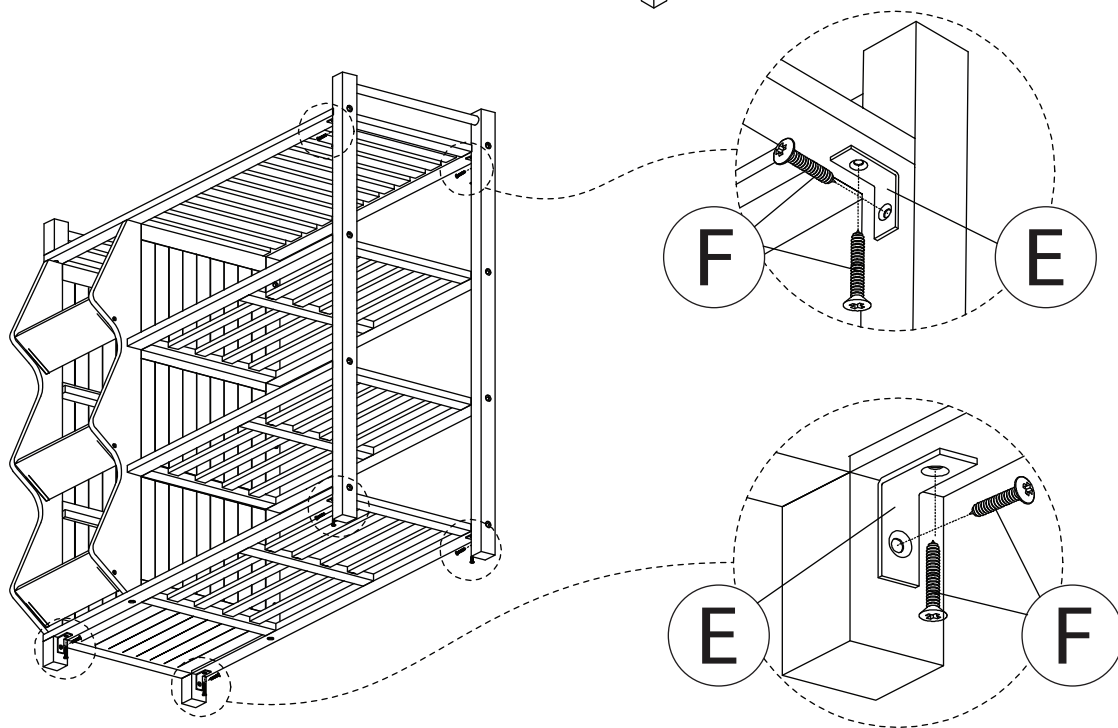


NOTE: Please read all instructions carefully before starting assembly.
 Also, we recommend that the unit is fully assembled on a level surface.
 Two people are recommended to assemble this product.
 DO NOT over torque screws and bolts.

8

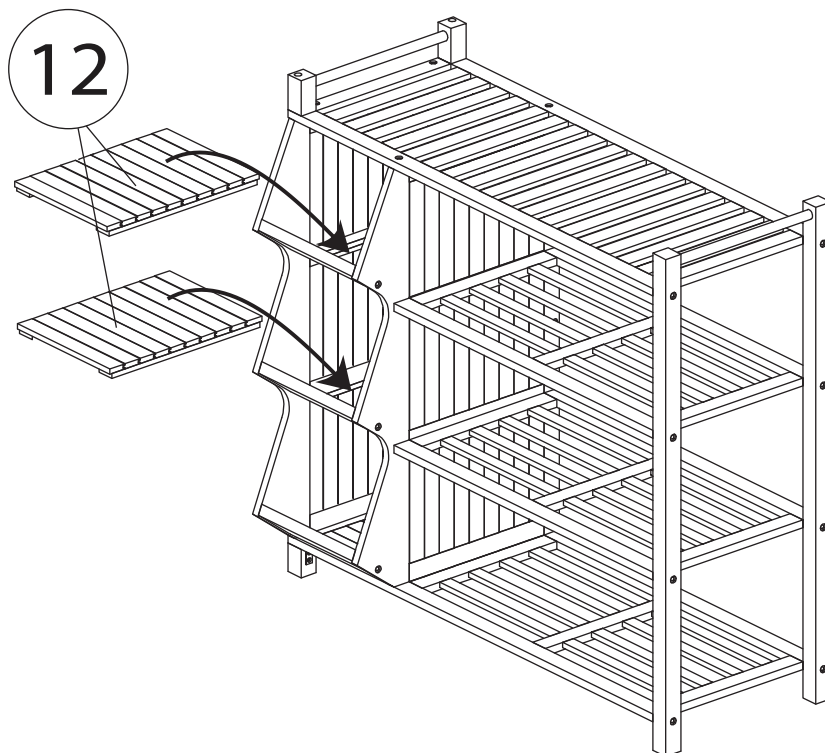


9

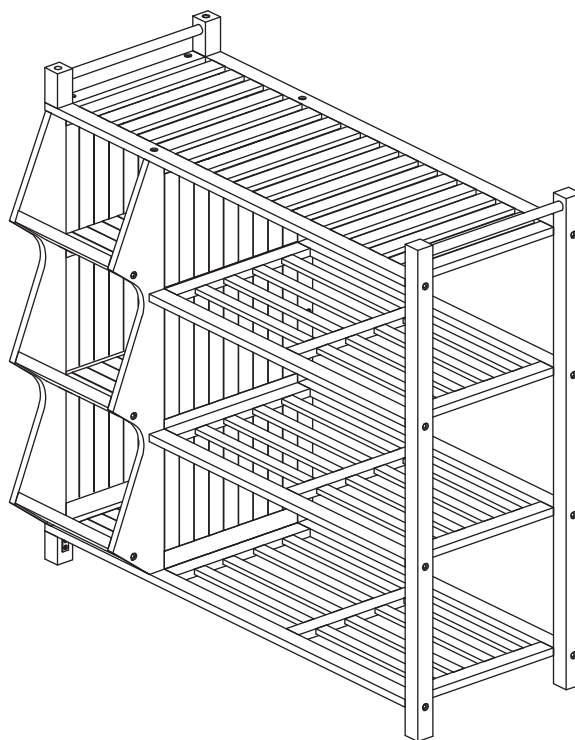


NOTE: Please read all instructions carefully before starting assembly.
 Also, we recommend that the unit is fully assembled on a level surface.
 Two people are recommended to assemble this product.
 DO NOT over torque screws and bolts.

10



11



NOTE: Please read all instructions carefully before starting assembly.
Also, we recommend that the unit is fully assembled on a level surface.
Two people are recommended to assemble this product.
DO NOT over torque screws and bolts.

Please check contents before assembly. If any items are missing or damaged, do not take the unit back to the store. Call (775) 629-5029 or email: service@merryproducts.com for customer service and we will save you time by correcting any problems directly for you.

NOTE: Please read all instructions carefully before starting assembly. Also, we recommend that the unit is fully assembled on a level surface. Two people are recommended to assemble this product. DO NOT over torque screws and bolts.