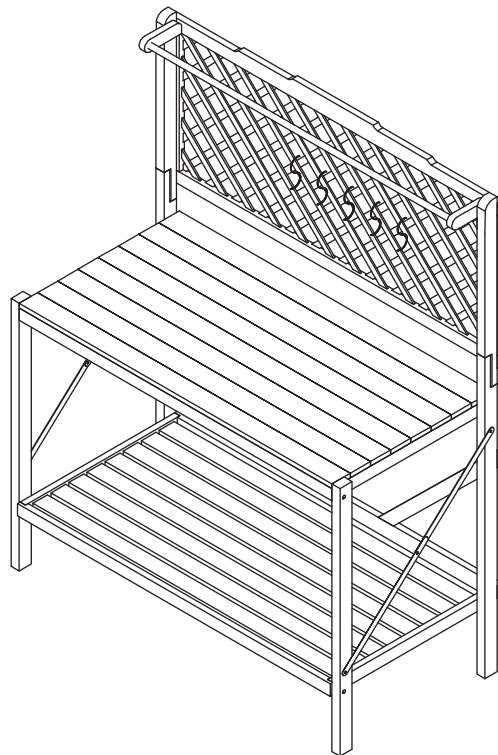


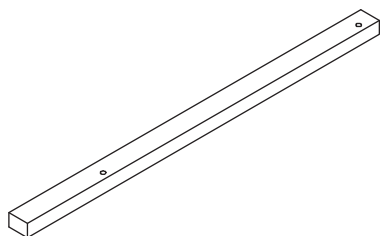
## CARE INSTRUCTIONS

Thank you for choosing northbeam™ FOLDABLE POTTING BENCH. With a little care and maintenance, the northbeam™ FOLDABLE POTTING BENCH will provide you with comfort and enjoyment for many years to come!

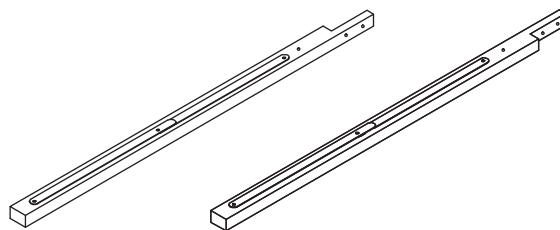
- To clean panels, use clean water on a damp cloth.
- When assembling northbeam™ FOLDABLE POTTING BENCH, please handle all the panels and/or hardware with care to avoid any possibilities of damages and/or injuries.
- Cover during harsh weather to keep it from weathering.
- It is highly recommended that you treat the northbeam™ FOLDABLE POTTING BENCH with a weatherproof coating of stain once a year, to increase life expectancy and maintain the look.



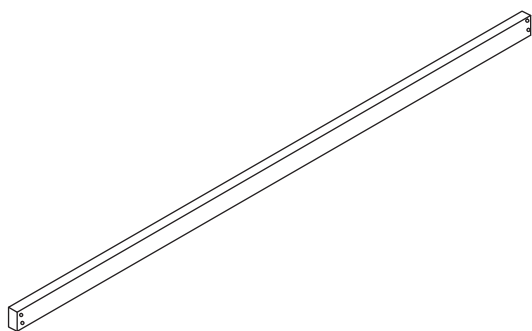
**NOTE:** Please read all instructions carefully before starting assembly. Also, we recommend that the unit is fully assembled on a level surface. Two people are recommended to assemble this product. **DO NOT** over torque screws and bolts.



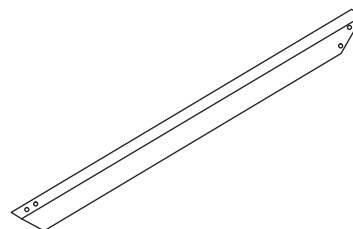
**A** FRONT LEGS X 2PCS



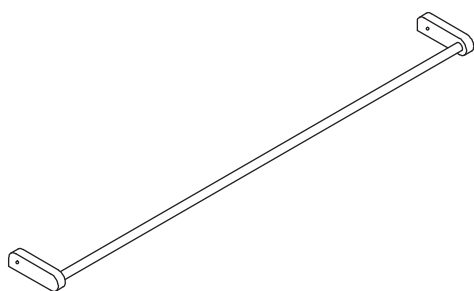
**B** BACK LEGS W/ METAL BRACE X 2PCS



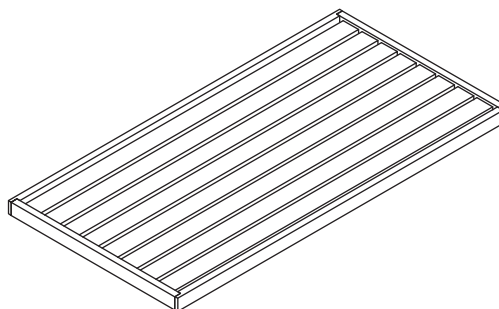
**C** CROSS BEAM X 1PC



**D** DIAGONAL SUPPORT BEAMS X 2PCS

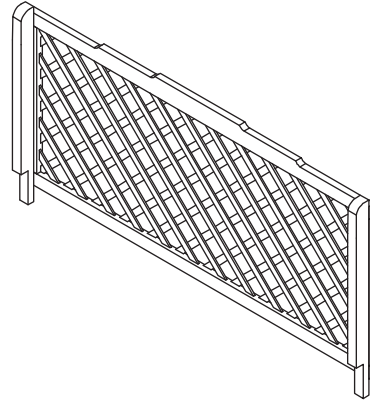
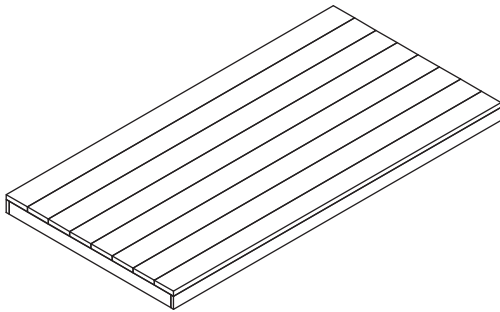


**E** HANGING BAR X 1PC



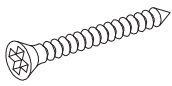
**F** PRE-ASSEMBLD BOTTOM TRAY X 1PC


NOTE: Please read all instructions carefully before starting assembly. Also, we recommend that the unit is fully assembled on a level surface. Two people are recommended to assemble this product. DO NOT over torque screws and bolts.

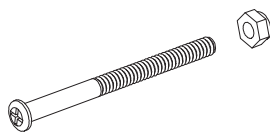



**G** PRE-ASSEMBLED TOP TRAY X 1PC

**H** PRE-ASSEMBLED BACKING X 1PC

a  SCREW 3.5X40 18PCS

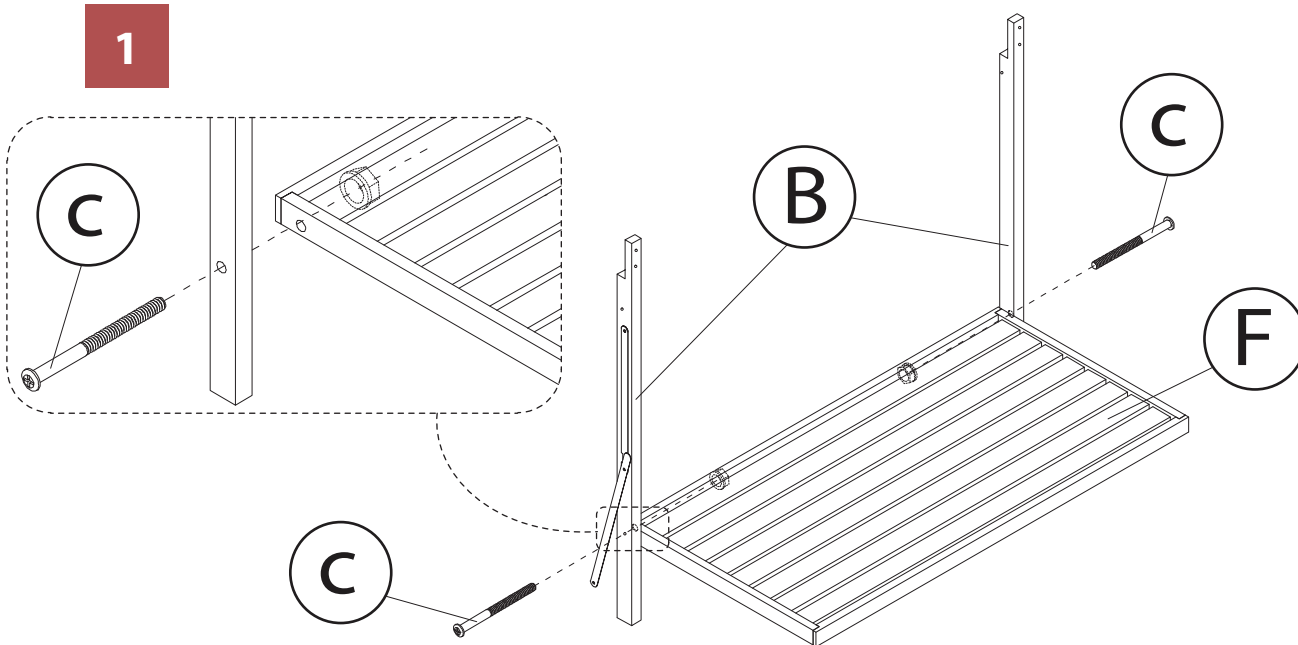
b  SCREW 3.5X25 2PCS

c  BOLT 6X60 8PCS

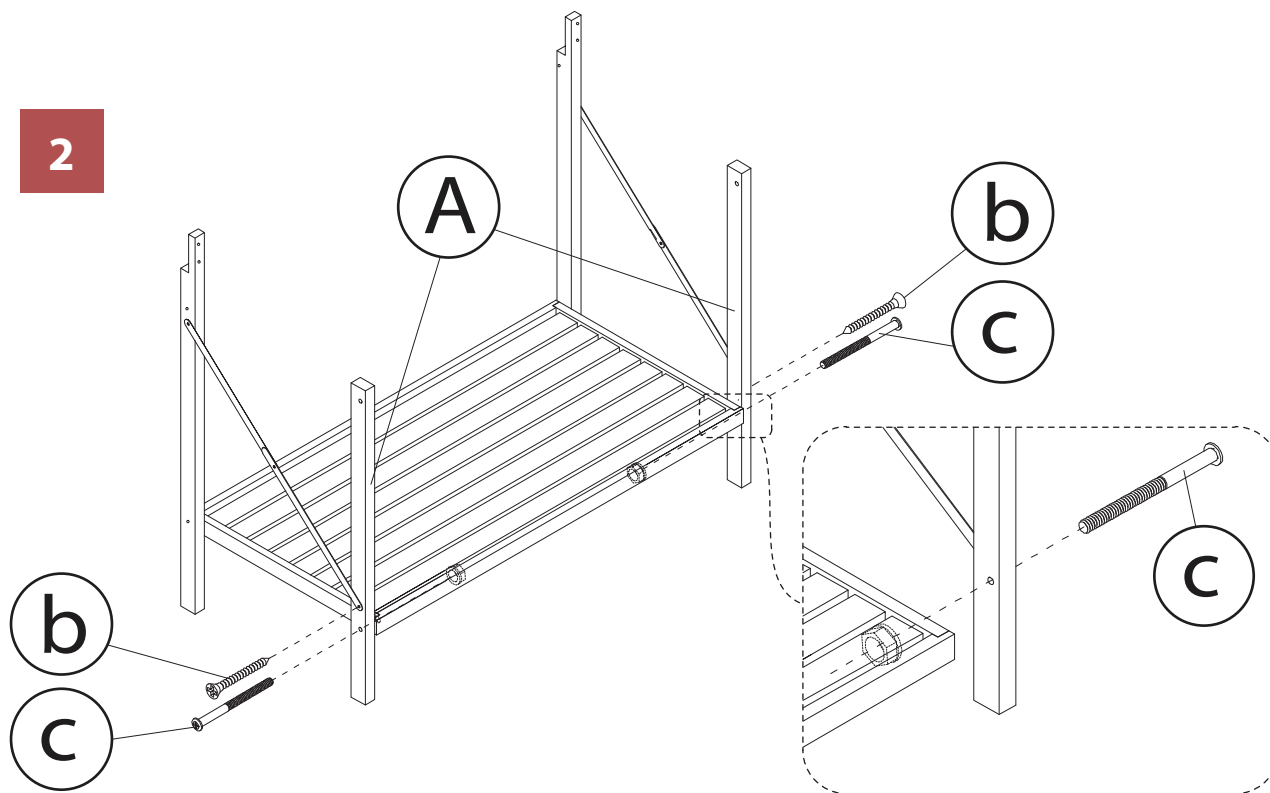
d  S-HOOK 5PCS

NOTE: Please read all instructions carefully before starting assembly. Also, we recommend that the unit is fully assembled on a level surface. Two people are recommended to assemble this product. DO NOT over torque screws and bolts.

1

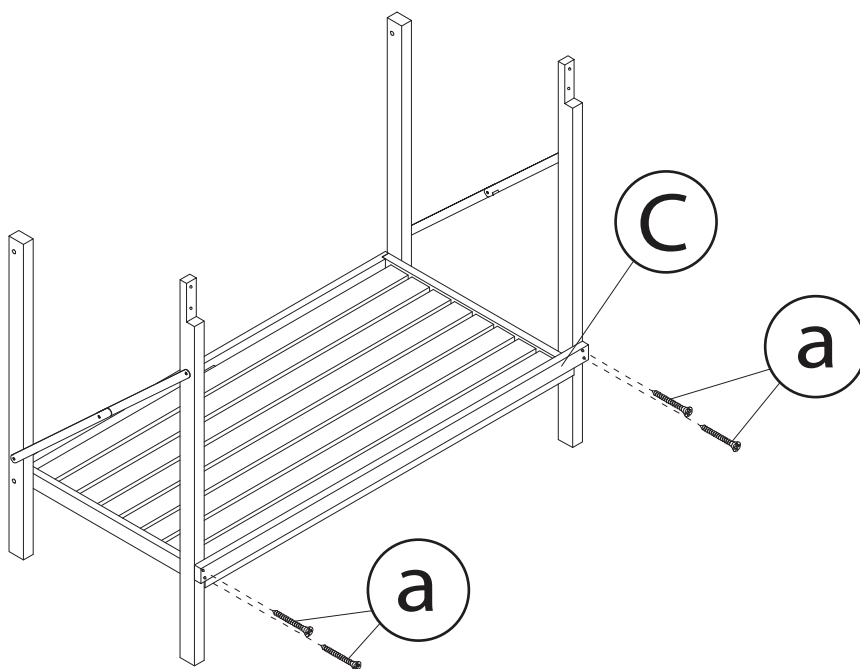


2

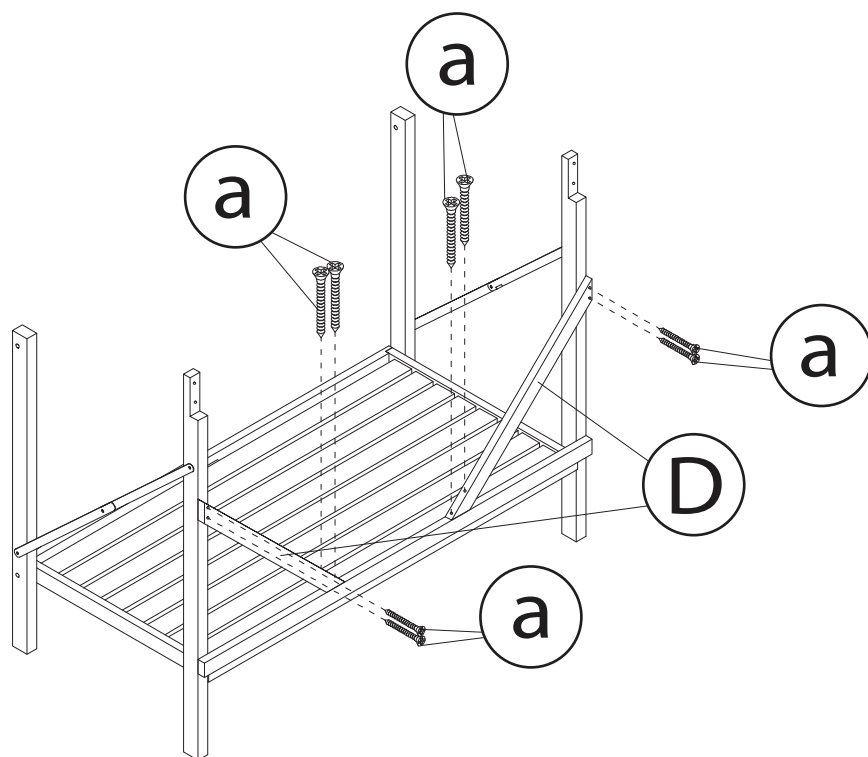


NOTE: Please read all instructions carefully before starting assembly.  
 Also, we recommend that the unit is fully assembled on a level surface.  
 Two people are recommended to assemble this product.  
 DO NOT over torque screws and bolts.

3

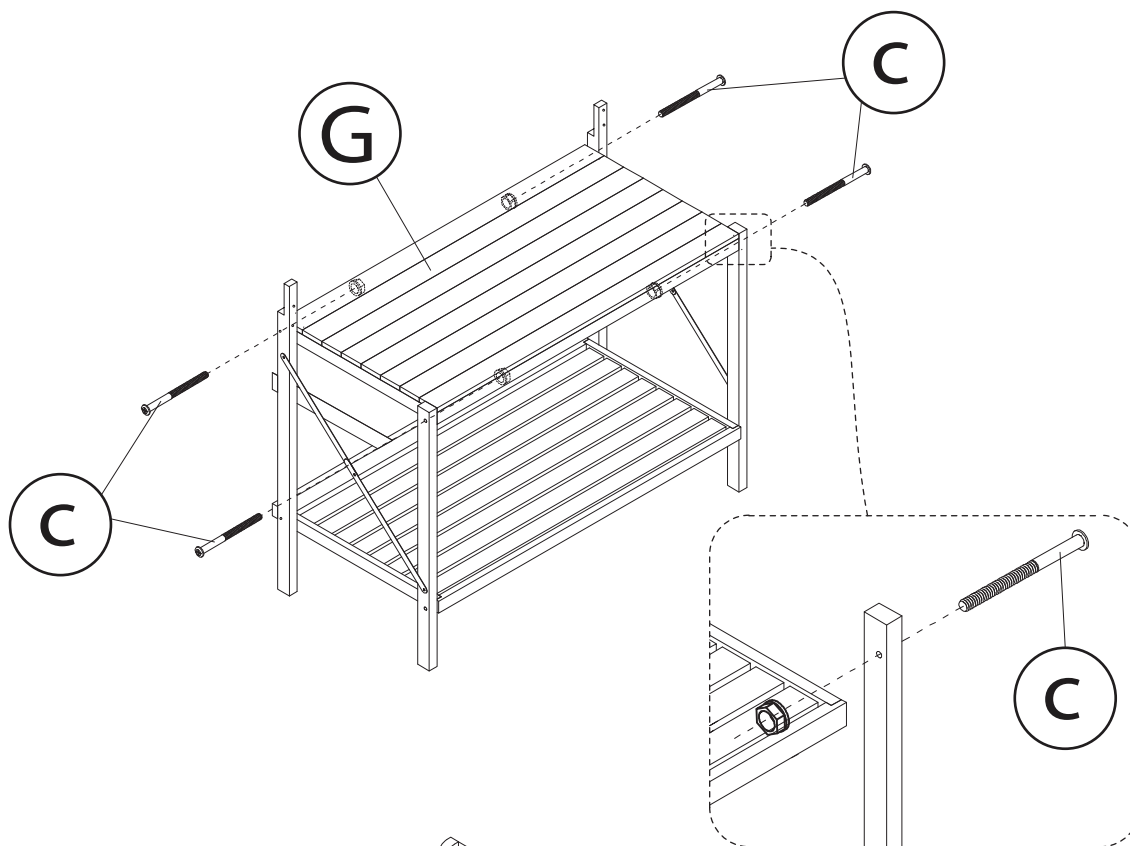


4

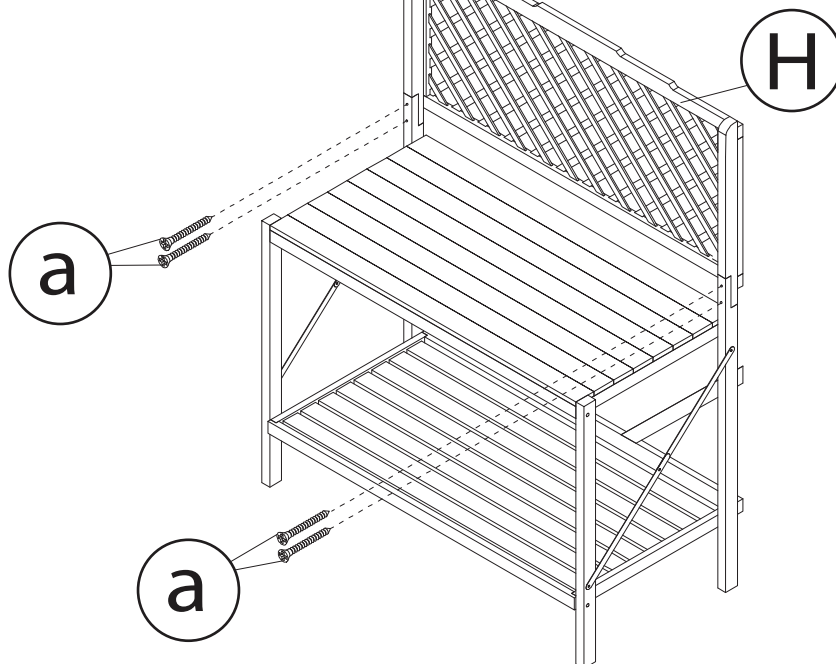


NOTE: Please read all instructions carefully before starting assembly. Also, we recommend that the unit is fully assembled on a level surface. Two people are recommended to assemble this product. DO NOT over torque screws and bolts.

5

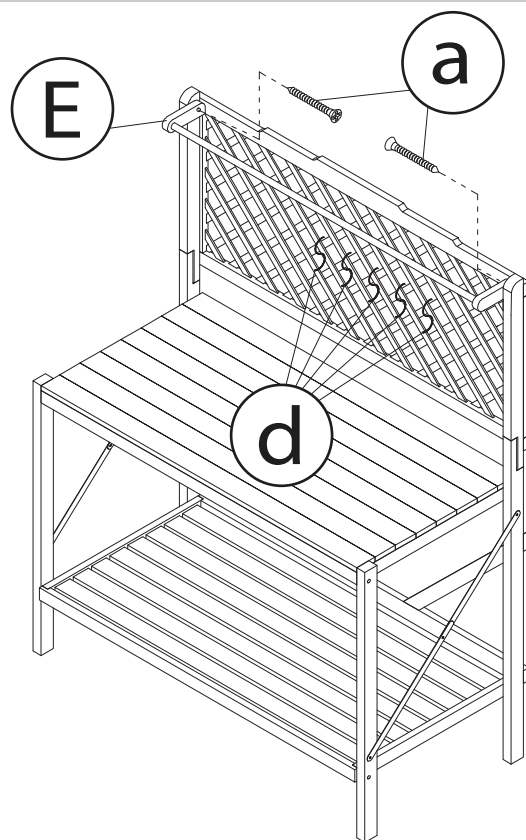


6

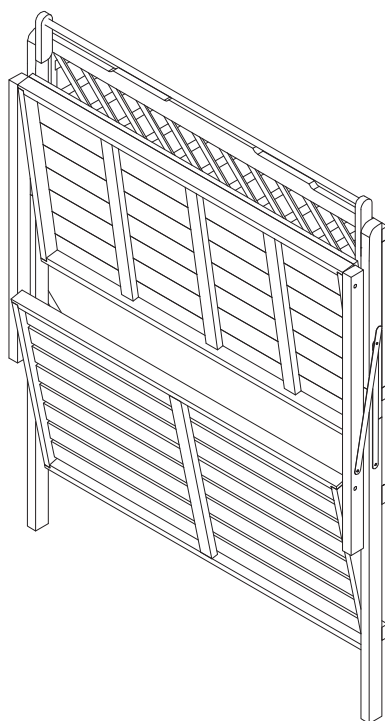


NOTE: Please read all instructions carefully before starting assembly.  
 Also, we recommend that the unit is fully assembled on a level surface.  
 Two people are recommended to assemble this product.  
 DO NOT over torque screws and bolts.

7



8



NOTE: Please read all instructions carefully before starting assembly. Also, we recommend that the unit is fully assembled on a level surface. Two people are recommended to assemble this product. DO NOT over torque screws and bolts.

Please check contents before assembly. If any items are missing or damaged, do not take the unit back to the store. Call (775) 629-5029 or email: [service@merryproducts.com](mailto:service@merryproducts.com) for customer service and we will save you time by correcting any problems directly for you.

NOTE: Please read all instructions carefully before starting assembly. Also, we recommend that the unit is fully assembled on a level surface. Two people are recommended to assemble this product. DO NOT over torque screws and bolts.