

MPG-ACE030KIT CHILD'S ADIRONDACK CHAIR KIT

CARE INSTRUCTIONS

This is an Unfinished, Solid Fir Wood Adirondack Chair. It is **HIGHLY RECOMMENDED** that you treat the chair with a **WEATHERPROOF COATING (stain or paint)** before use, and continued once a year, to increase the life expectancy and maintain the look of the chair. Please consult with your local hardware store on the weatherproof coating options for the chair.

- Cover the Adirondack Chair during harsh weather to keep it from weathering.
- Rinse any panels with water to clean.
- When assembling MERRY PRODUCTS™ ADIRONDACK FURNITURE, please handle all panels and/or hardware with care to avoid any possibilities of damages and/or injuries.

CHAIR COMPONENTS

HARDWARE

- (a) Screws (34 pcs + 2 spare)
- (b) Screws (10 pcs + 1 spare)
- (c) Screws (4 pcs + 1 spare)
- (d) Screws (8 pcs + 1 spare)

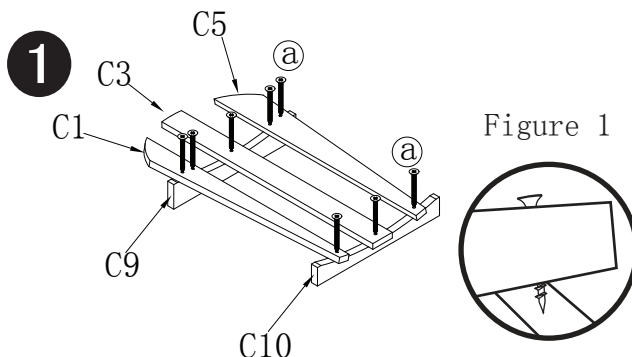
*Powerdrill recommended for assembly.

NOTES: Read all instructions before starting.

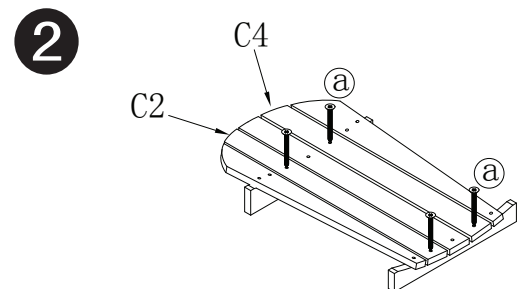
Do not completely tighten all bolts until the unit is fully assembled.

TOOLS RECOMMENDED

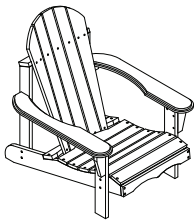
- *Powerdrill
- # 13mm



- Place Back Rest Cross Beams in order.
- Insert (a) screws partially through Back Rest Panel C1, C3 and C5. See Figure 1.
- Position screw ends on pre-marked center points on Back Rest Cross Beams.

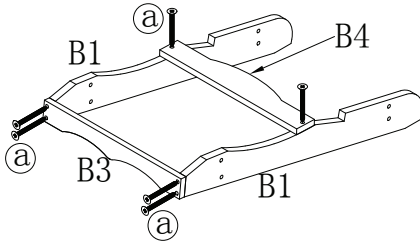


- Position Back Rest Panels C2 and C4 into place with (a) screws and secure.



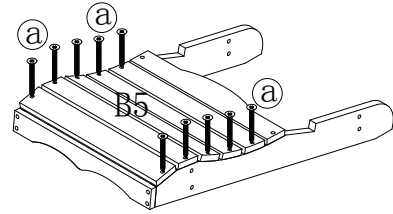
MPG-ACE030KIT CHILD'S ADIRONDACK CHAIR KIT

3



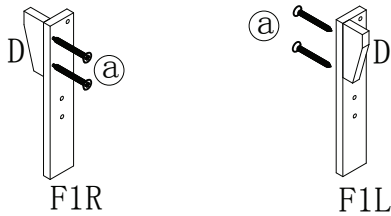
- Position Front seat slat (B3) and Base Bottom Support (B4) into place on Base Legs (B1) and secure with (a) screws.

4



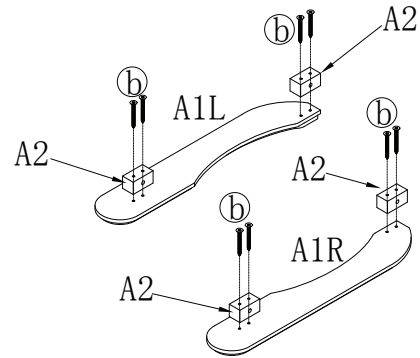
- Position all 5 Seat Slats (B5) into place and secure with (a) screws.

5



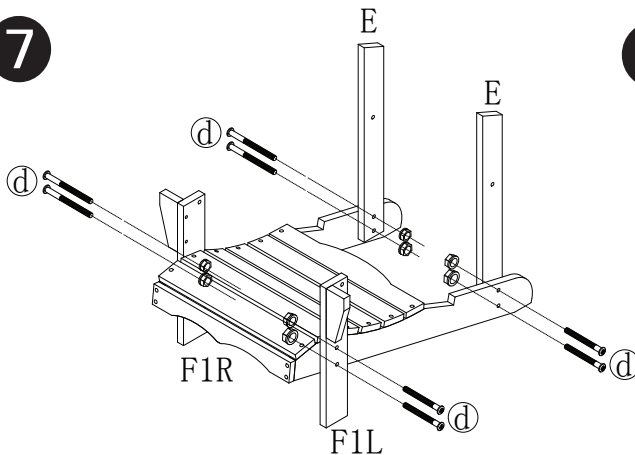
- Attach Arm Rest Connections (D) to Right and Left Front Legs (F1) using (a) screws.

6



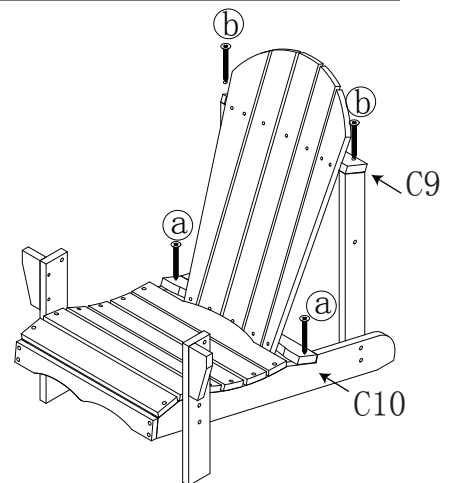
- Attach Supporting Blocks (A2) on to the Back of Arm rests (A1) using (b) screws.

7

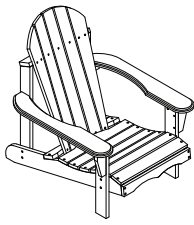


- Position Right and Left Front Legs (F1) to place on Base Legs (B1) and secure with (d) bolts, as shown on the drawing.
- Position Right and Left Support (E) to place on Base Legs (B1) and secure with (d) bolts.
- Do not tighten bolts completely.

8

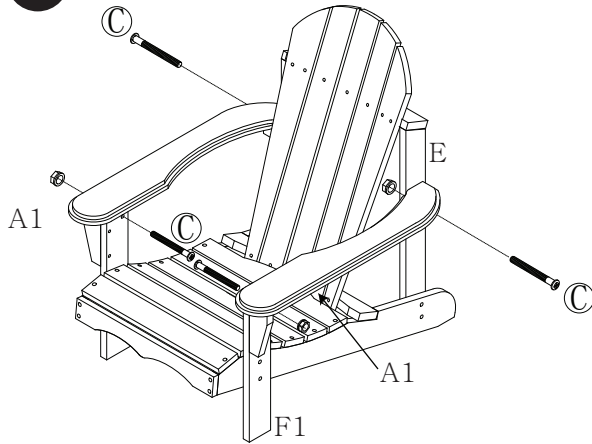


- Position Back Rest Panel on to the Base Legs (B1) and on to the Back Support (E).
- Secure the Back Rest Panel on to the Base Legs (B1) using (a) screws.
- Secure the Back Rest Panel on to the Support (E) using (b) screws.



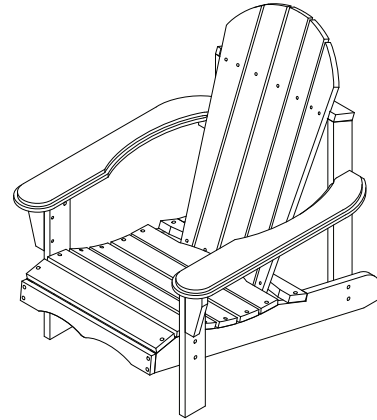
MPG-ACE030KIT CHILD'S ADIRONDACK CHAIR KIT

9



- Assemble Arm rests (A1) onto Front Legs (F1) and Back Support (E) using (c) bolts.
- NOTE: For easy alignment, do not tight bolts completely.

10



- TIGHTEN ALL BOLTS COMPLETELY with chair on level surface.
- Child' s Adirondack chair is now complete.