

WARRANTY

WHAT IS COVERED

We warrant the product to be free from defects in material or workmanship for a period of one year from the date of original retail purchase. The word "defects" is defined as imperfections that impair the use of the product. Defects resulting from misuse, abuse or customer negligence will void this warranty.

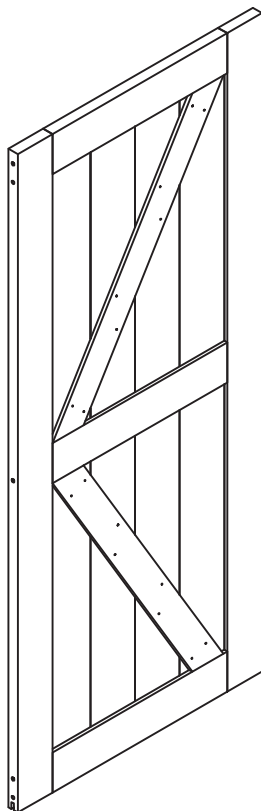
WHAT IS NOT COVERED

This warranty does not cover commercial use, hardware, acts of nature, fire, freezing and abusive use. This warranty does not cover defects due to alteration or accidents. This warranty does not cover scratches, scuffs or other cosmetic damages that may result from normal use of the product.

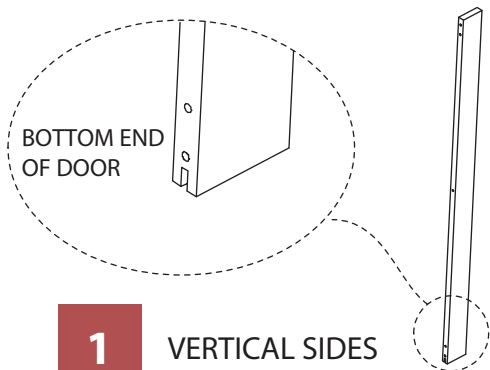
CARE INSTRUCTIONS

Thank you for choosing northbeam™ ARTISAN SLIDING DOOR 36" KIT. With a little care and maintainance, the northbeam™ ARTISAN SLIDING DOOR 36" KIT will provide you with comfort and enjoyment for many years to come!

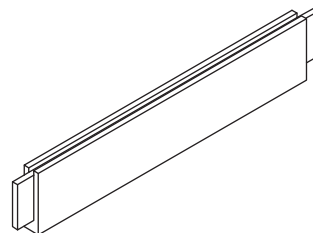
- To clean panels, use clean water on a damp cloth.
- When assembling northbeam™ ARTISAN SLIDING DOOR 36" KIT, please handle all the panels and/or hardware with care to avoid any possibilities of damages and/or injuries.



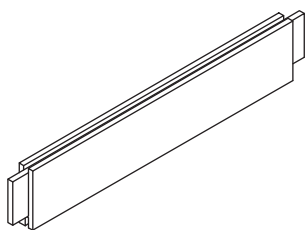
NOTE: Please read all instructions carefully before starting assembly. Also, we recommend that the unit is fully assembled on a level surface. Two people are recommended to assemble this product. DO NOT over torque screws and bolts.



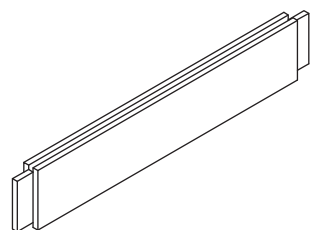
1 VERTICAL SIDES X 2PCS



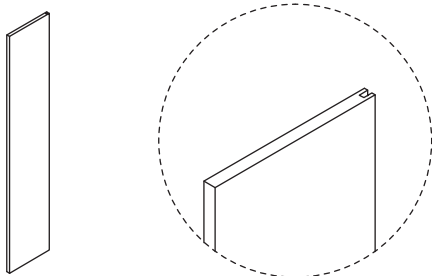
2 TOP CROSSER X 1PC



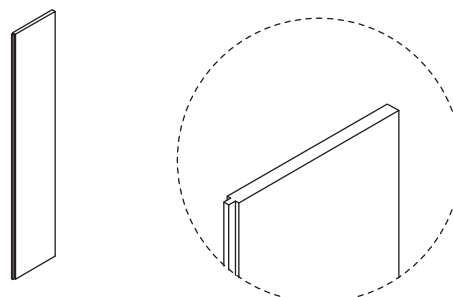
3 BOTTOM CROSSER X 1PC



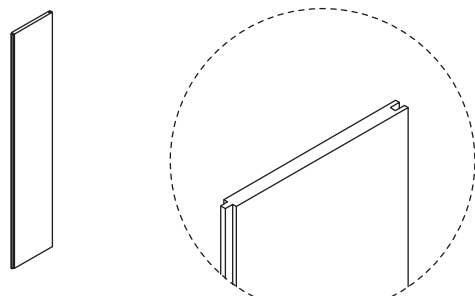
4 MIDDLE CROSSER X 1PC



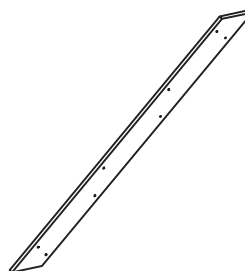
5 FEMALE OUTER VETICAL SLAT X 2PCS



6 MALE OUTER VERTICAL SLAT X 2PCS

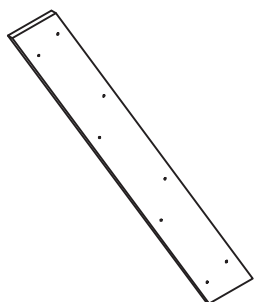


7 INNER VERTICAL SLAT X 4PCS

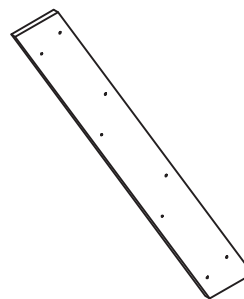


8 TOP DIAGONAL BRACE X 1PC

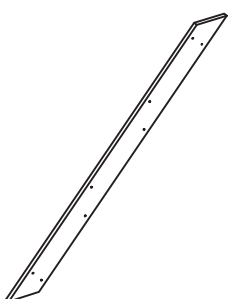
NOTE: Please read all instructions carefully before starting assembly. Also, we recommend that the unit is fully assembled on a level surface. Two people are recommended to assemble this product. DO NOT over torque screws and bolts.



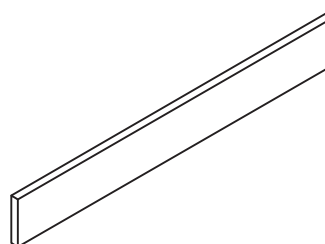
9 BOTTOM DIAGONAL BRACE X **1PC**




10 TOP DIAGONAL BRACE, BACKSIDE X **1PC**



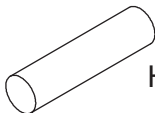
11 BOTTOM DIAGONAL BRACE, BACKSIDE X **1PC**



12 WALL MOUNTING STRIP X **1PC**

A1  SCREW 3X20mm **32 PCS**


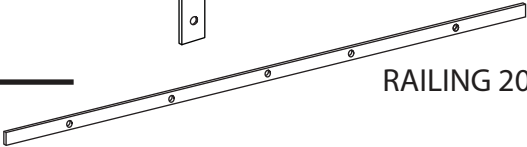
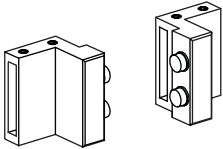
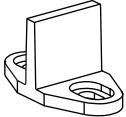

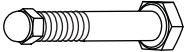
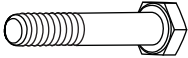
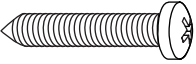
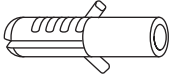

A2  SCREW 5X100mm **10 PCS**

A3  HOLE PLUG 10X35mm **10 PCS**

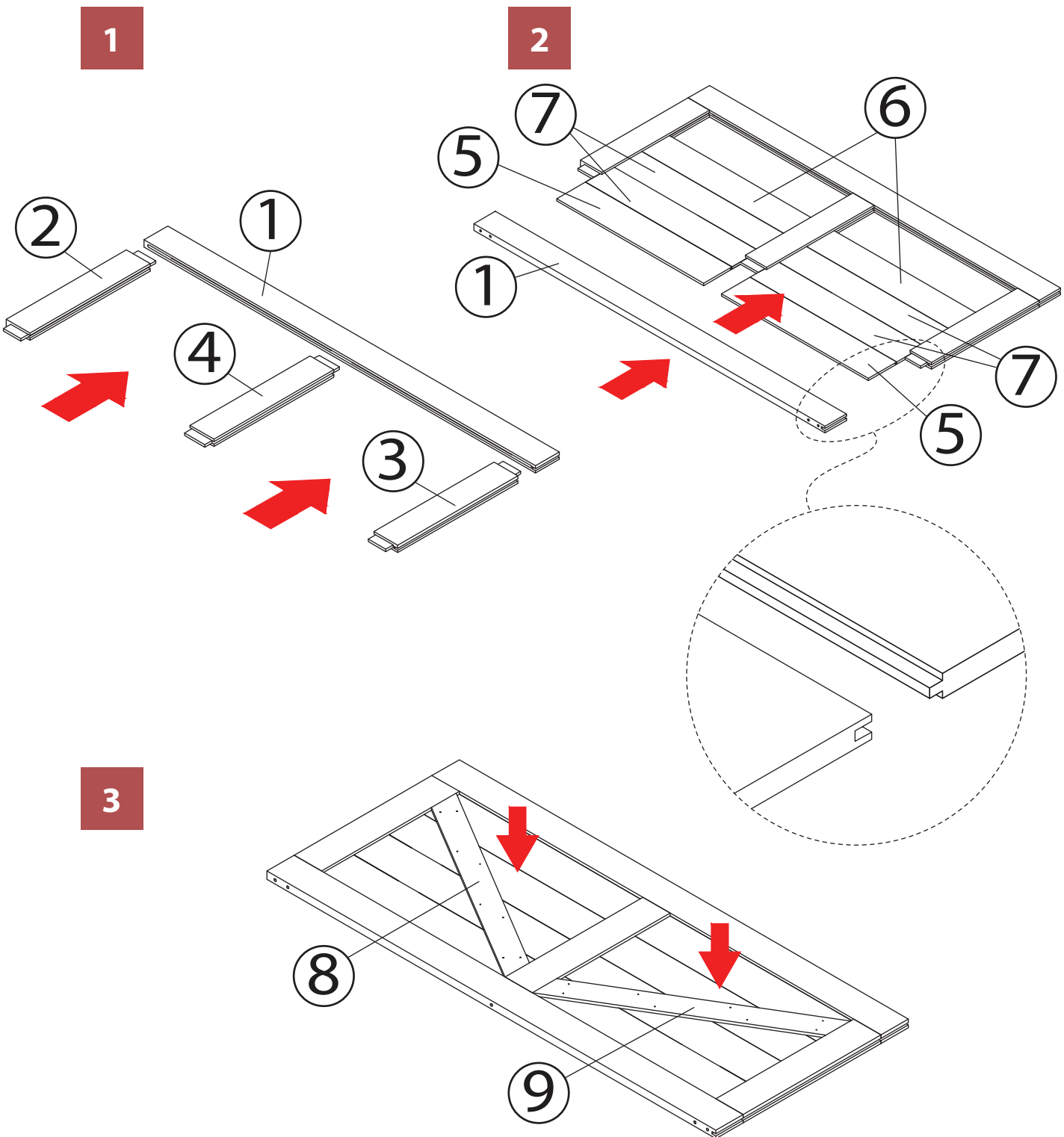
B  RAIL SPACER 30X30X35mm **5PCS**

C  DOOR TOP BUMPER 25X25X10mm **2PCS**

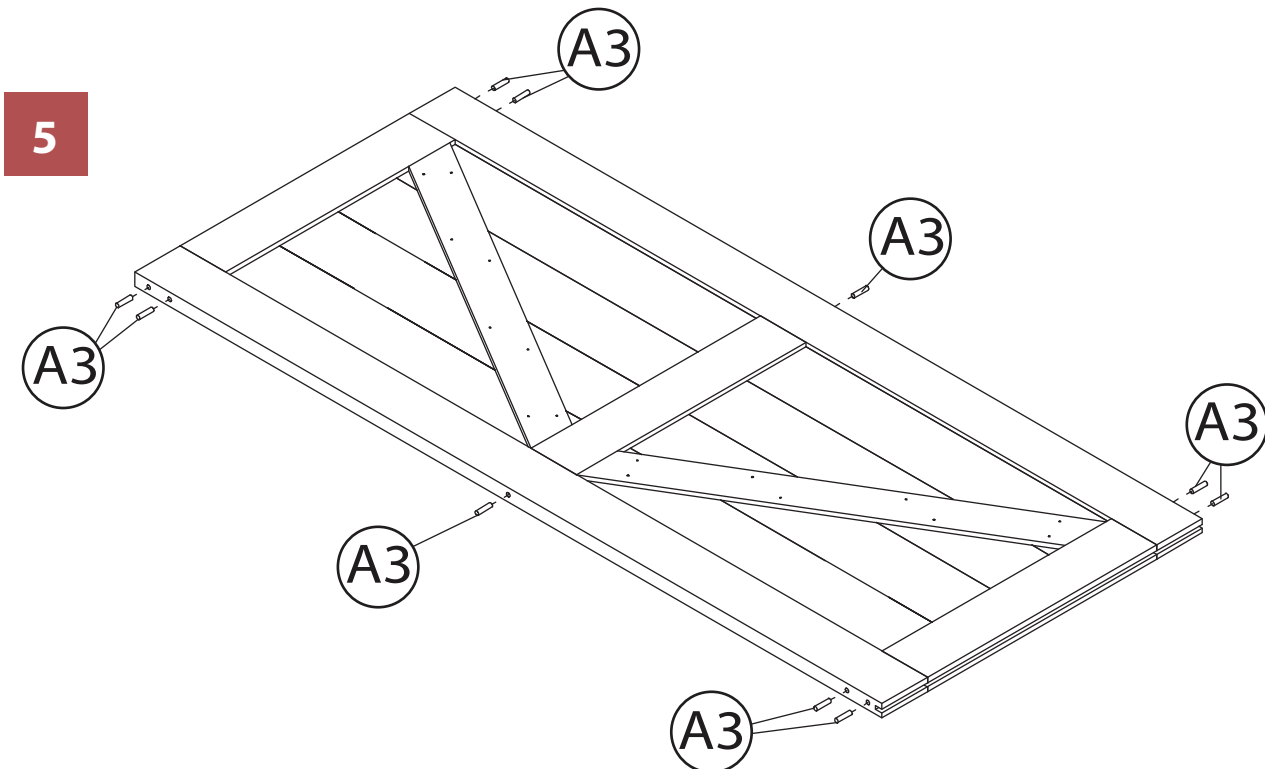
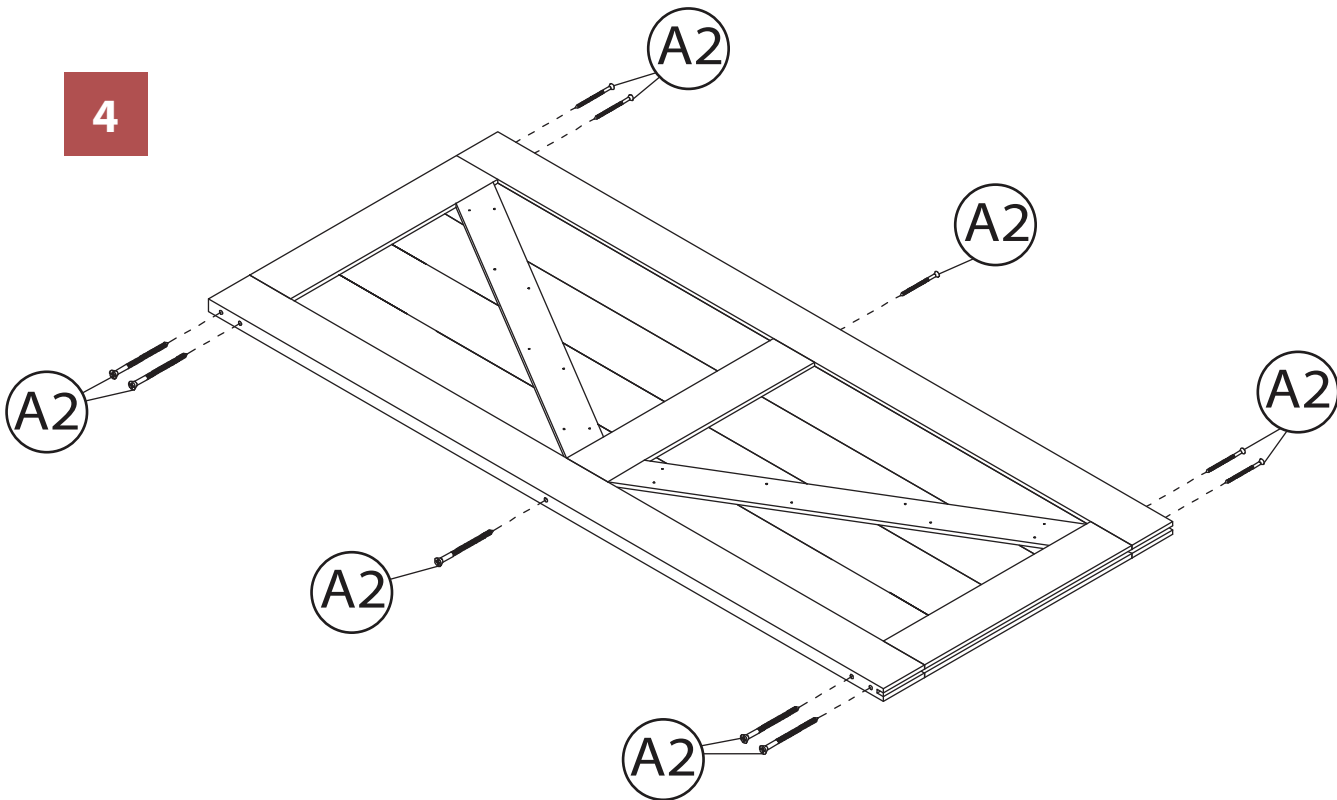
NOTE: Please read all instructions carefully before starting assembly. Also, we recommend that the unit is fully assembled on a level surface. Two people are recommended to assemble this product. DO NOT over torque screws and bolts.

- D  ARM ROLLERS 293X70X65mm _____ **2PCS**
- E  RAILING 2000X40X6mm _____ **1PC**
- F  RAILING ENDS 50X40X36.5mm _____ **2PCS**
- G  FLOOR DOOR GUIDE 42X23.8X23mm _____ **1PC**
- H  SCREW 8X90mm _____ **5PCS**
- I  BOLT M10X55 _____ **4PCS**
(FOR 35-40mm DOOR)
- J  BOLT M10X60 _____ **4PCS**
(FOR 40-45mm DOOR)
- K  SCREW ST 3X25mm _____ **2PCS**
- L  WALL SCREW ANCHOR Ø8X30mm _____ **2PCS**
- M  ALLEN KEY 55X15X2mm _____ **1PC**

NOTE: Please read all instructions carefully before starting assembly.
Also, we recommend that the unit is fully assembled on a level surface.
Two people are recommended to assemble this product.
DO NOT over torque screws and bolts.

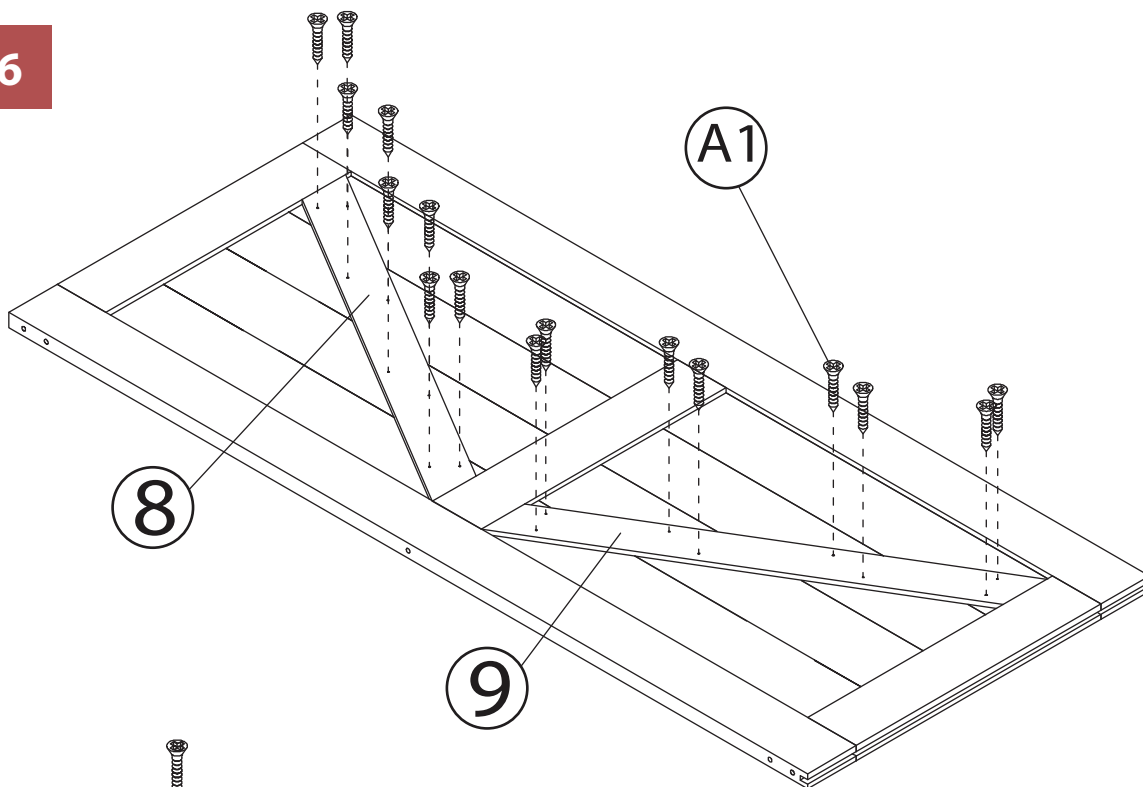


NOTE: Please read all instructions carefully before starting assembly. Also, we recommend that the unit is fully assembled on a level surface. Two people are recommended to assemble this product. DO NOT over torque screws and bolts.

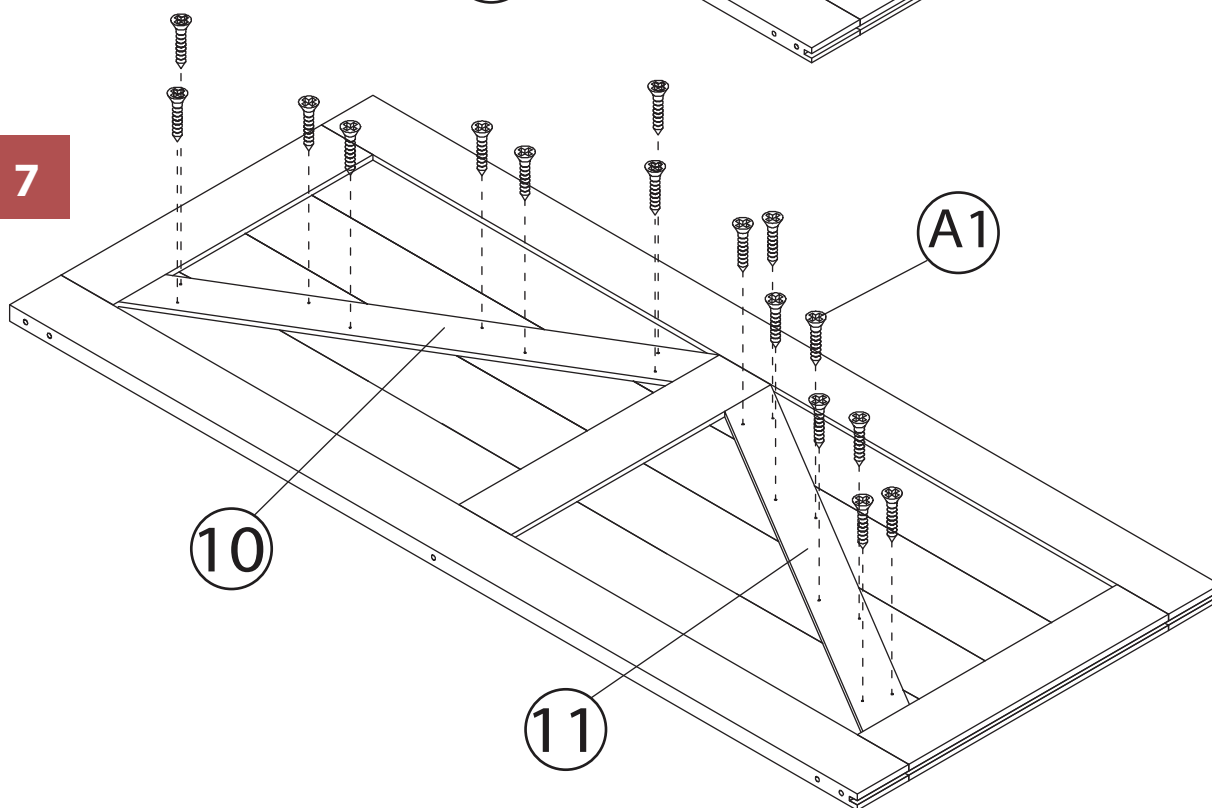


NOTE: Please read all instructions carefully before starting assembly. Also, we recommend that the unit is fully assembled on a level surface. Two people are recommended to assemble this product. DO NOT over torque screws and bolts.

6



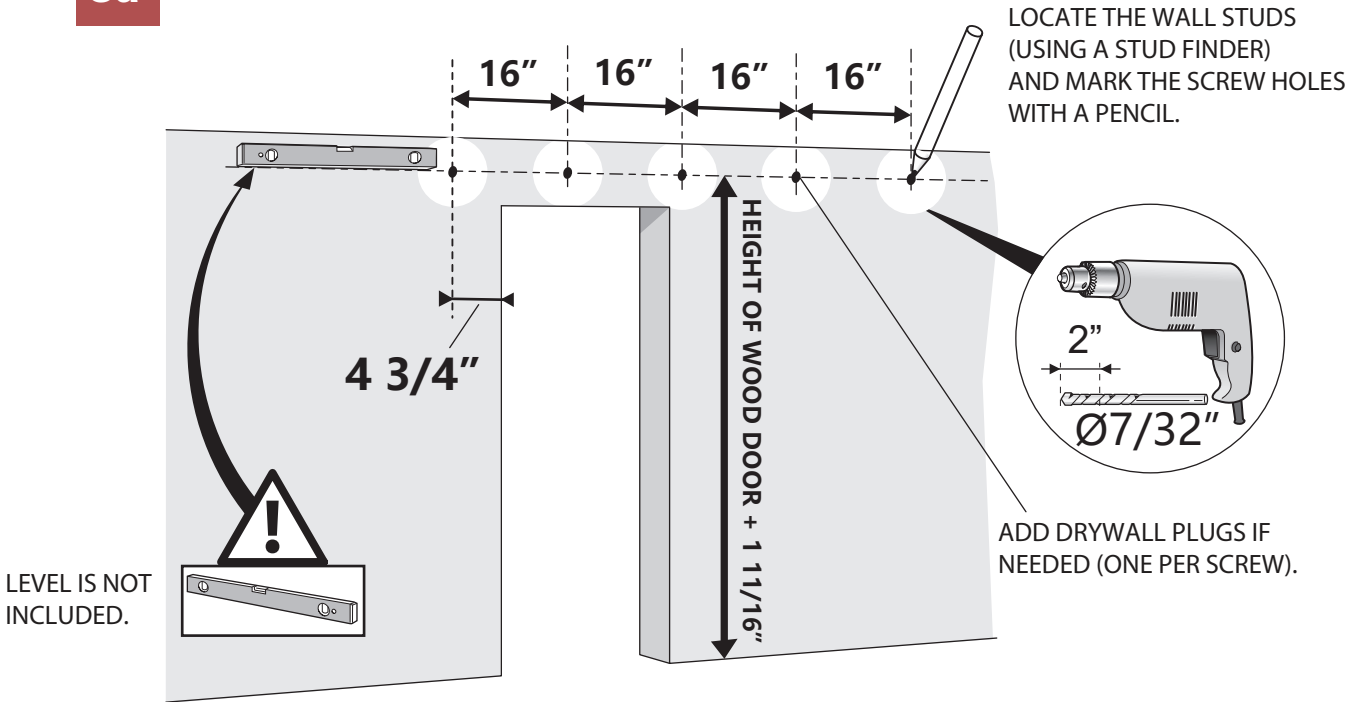
7



NOTE: Please read all instructions carefully before starting assembly. Also, we recommend that the unit is fully assembled on a level surface. Two people are recommended to assemble this product. DO NOT over torque screws and bolts.

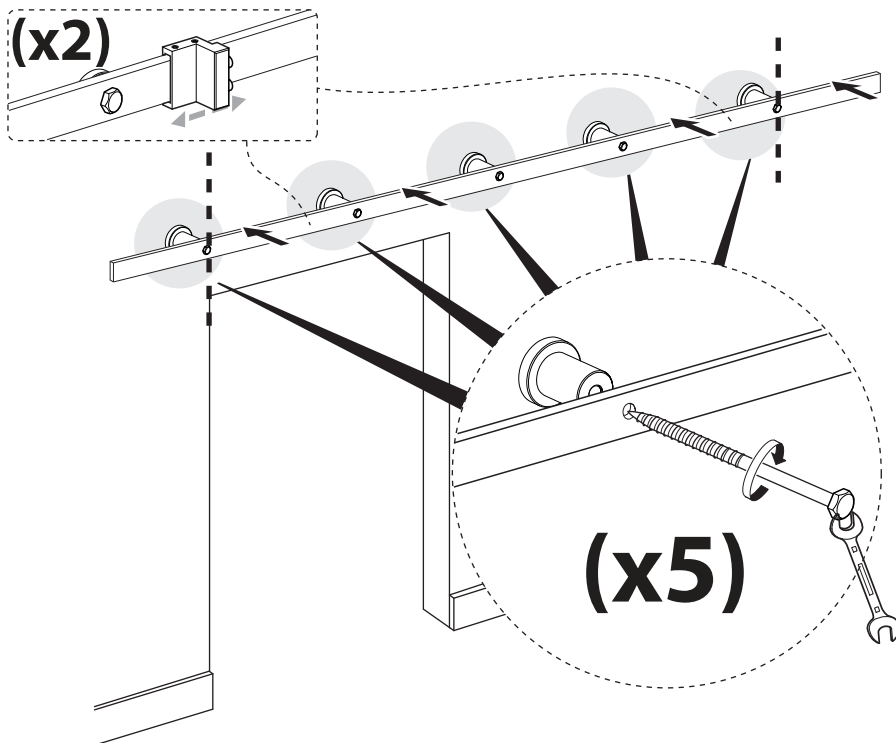
8a

FOR DOORWAYS WITHOUT TRIM



9a

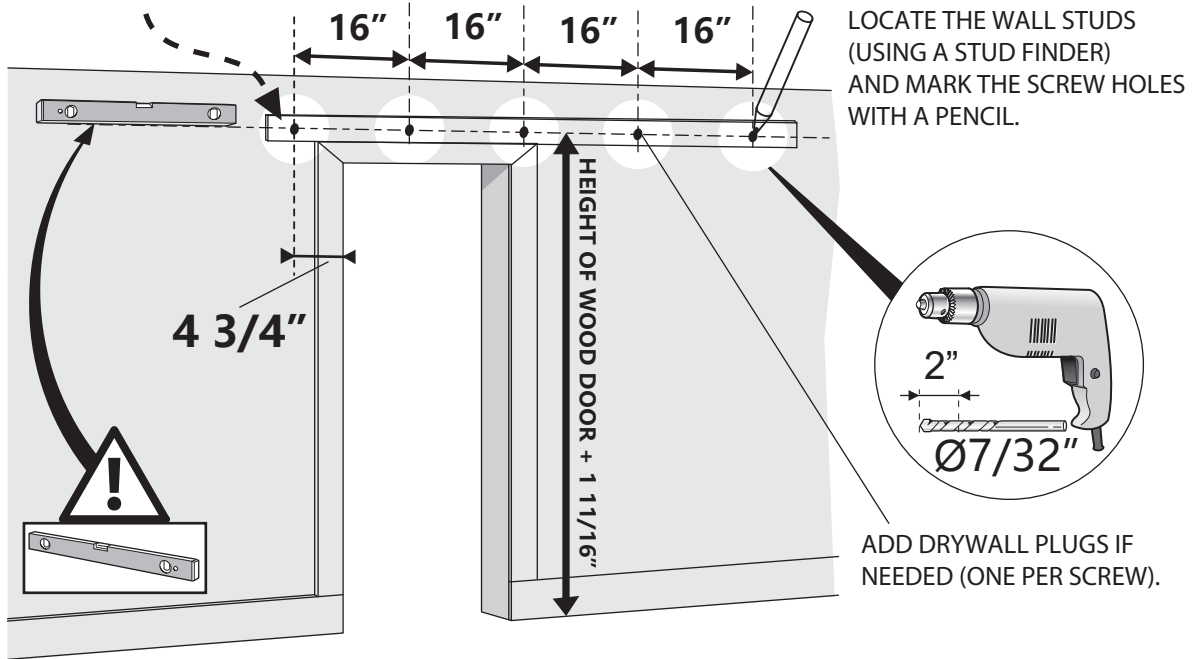
RAILING ENDS (F) MAY NEED TO BE MOUNTED INSIDE OF THE RAIL SPACERS (B). DETERMINE THEIR LOCATION PRIOR TO MOUNTING RAILING (E).



8b

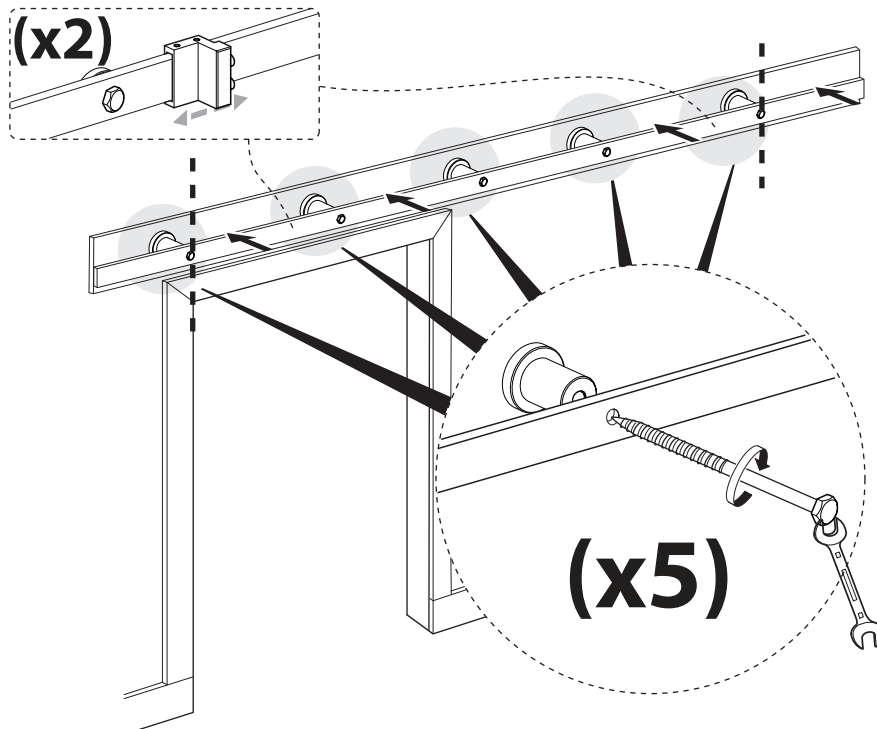
FOR DOORWAYS WITH TRIM

NOTE: ATTACH PART 12 TO THE WALL (ABOVE DOOR TRIM), ALIGNING SCREWS WITH STUDS. COMPLETE PRIOR TO MARKING THE RAILING SCREW HOLES.

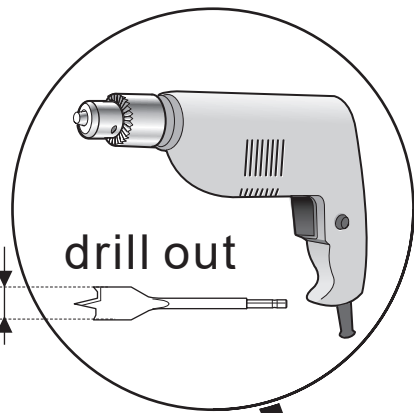


9b

RAILING ENDS (F) MAY NEED TO BE MOUNTED INSIDE OF THE RAIL SPACERS (B). DETERMINE THEIR LOCATION PRIOR TO MOUNTING RAILING (E).



10

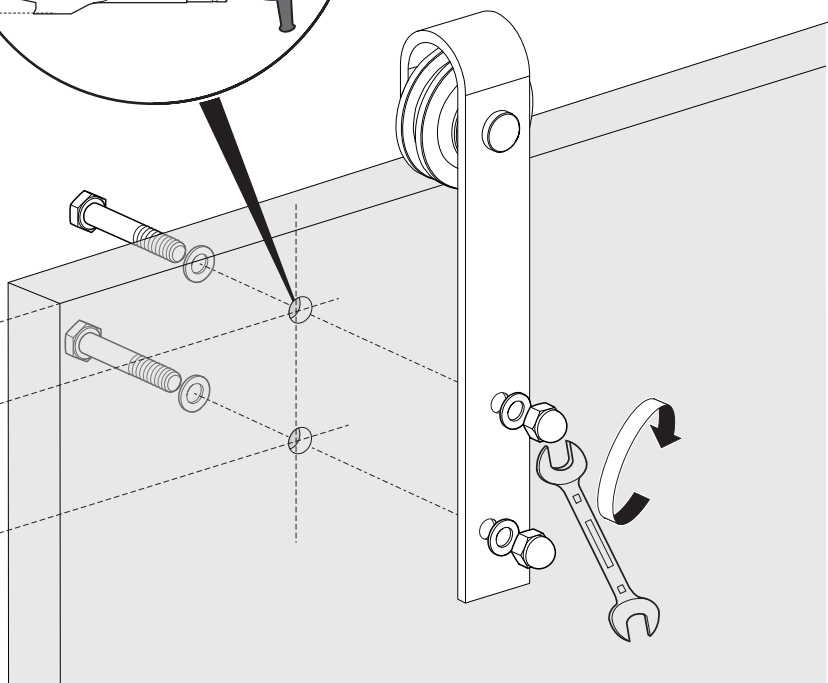


Ø 7/16"

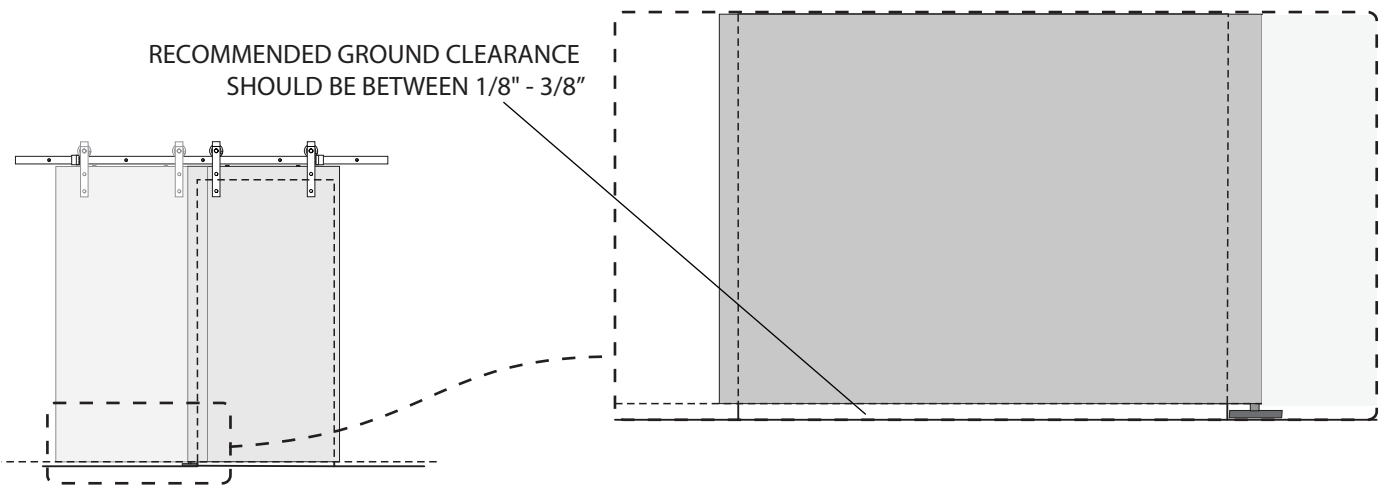
(x2)

1 1/2"

ALIGN WITH HOLE SPACING



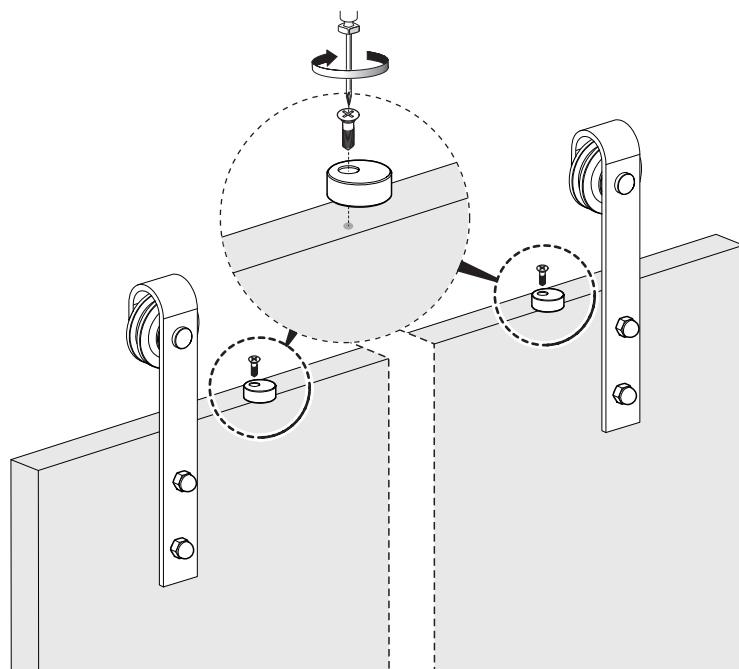
RECOMMENDED GROUND CLEARANCE SHOULD BE BETWEEN 1/8" - 3/8"



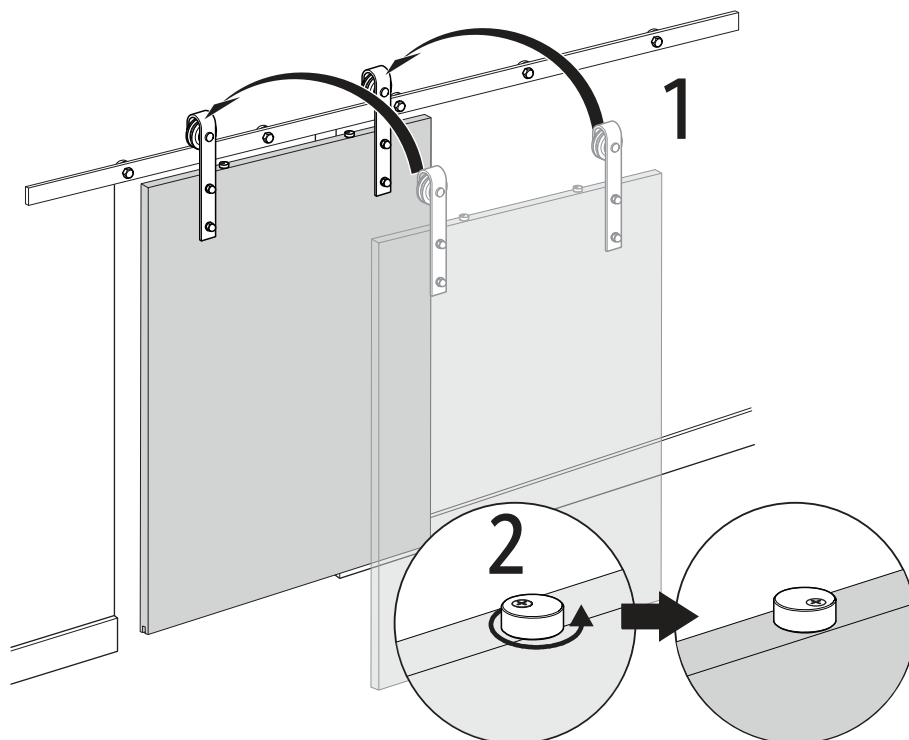
NOTE: Please read all instructions carefully before starting assembly. Also, we recommend that the unit is fully assembled on a level surface. Two people are recommended to assemble this product. DO NOT over torque screws and bolts.

11

(x2)

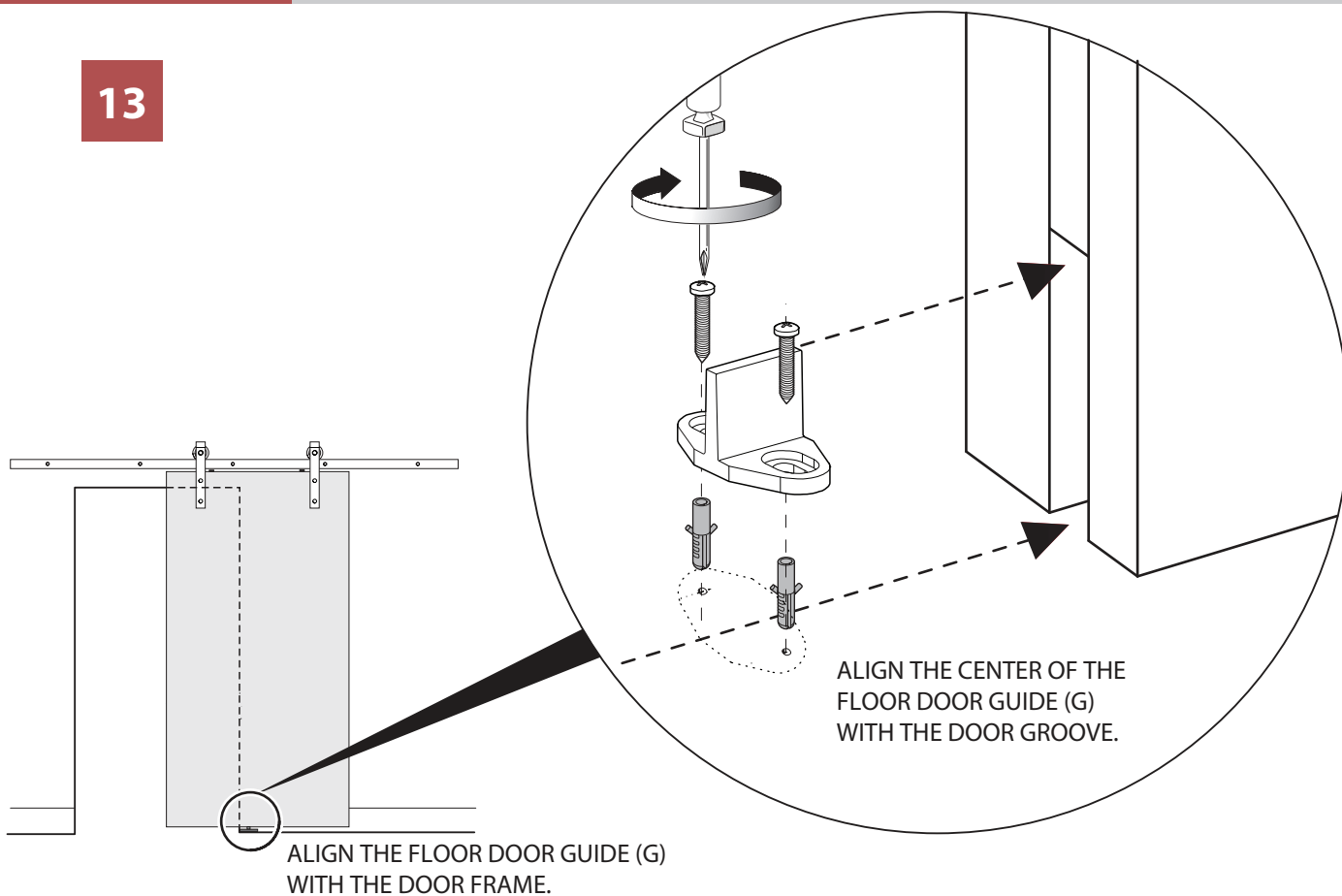


12



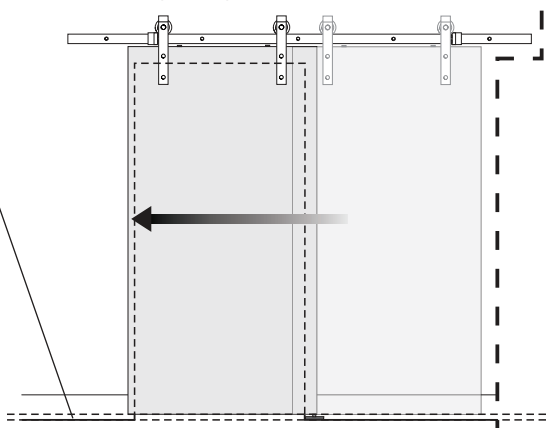
NOTE: Please read all instructions carefully before starting assembly. Also, we recommend that the unit is fully assembled on a level surface. Two people are recommended to assemble this product. DO NOT over torque screws and bolts.

13

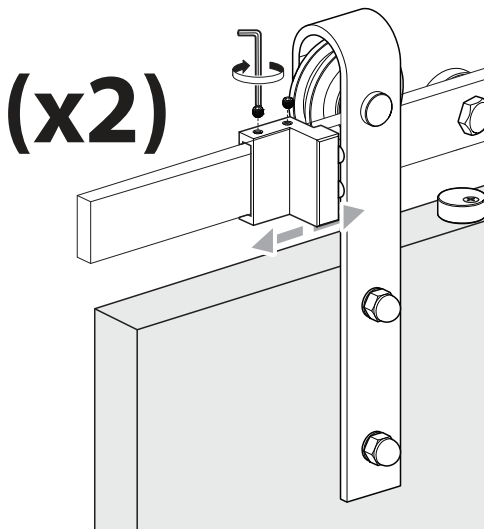


14

RECOMMENDED GROUND CLEARANCE SHOULD BE BETWEEN 1/8" - 3/8"



SLIDE AND LOCK RAILING ENDS INTO THEIR FINAL POSITIONS.



NOTE: Please read all instructions carefully before starting assembly. Also, we recommend that the unit is fully assembled on a level surface. Two people are recommended to assemble this product. DO NOT over torque screws and bolts.

Please check contents before assembly. If any items are missing or damaged, do not take the unit back to the store. Call (775) 629-5029 or email: service@merryproducts.com for customer service and we will save you time by correcting any problems directly for you.

NOTE: Please read all instructions carefully before starting assembly. Also, we recommend that the unit is fully assembled on a level surface. Two people are recommended to assemble this product. DO NOT over torque screws and bolts.