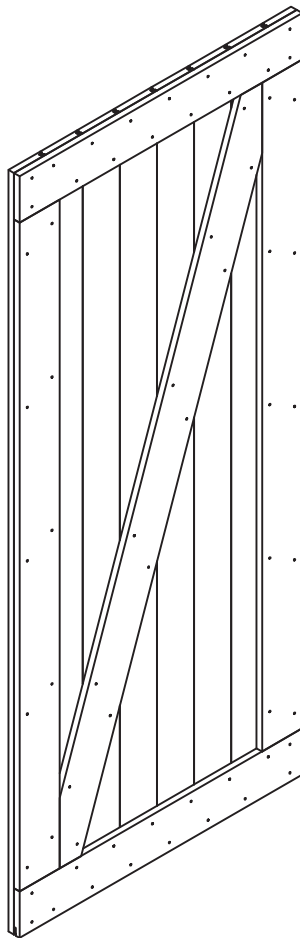


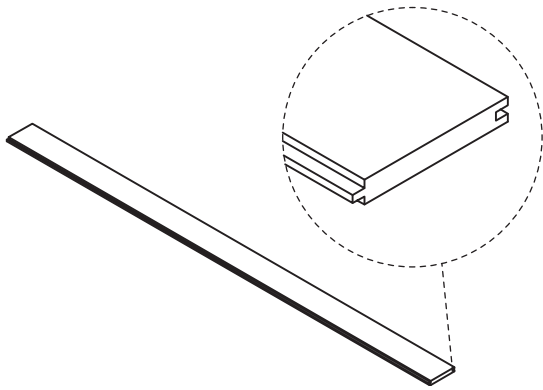
CARE INSTRUCTIONS

Thank you for choosing northbeamTM FARM STYLE SLIDING DOOR. With a little care and maintenance, the northbeamTM FARM STYLE SLIDING DOOR will provide you with comfort and enjoyment for many years to come!

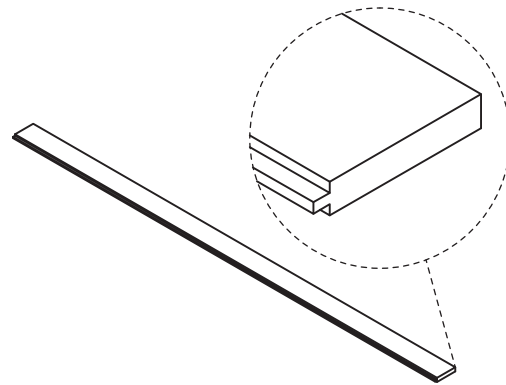
- To clean panels, use clean water on a damp cloth.
- When assembling northbeamTM FARM STYLE SLIDING DOOR, please handle all the panels and/or hardware with care to avoid any possibilities of damages and/or injuries.



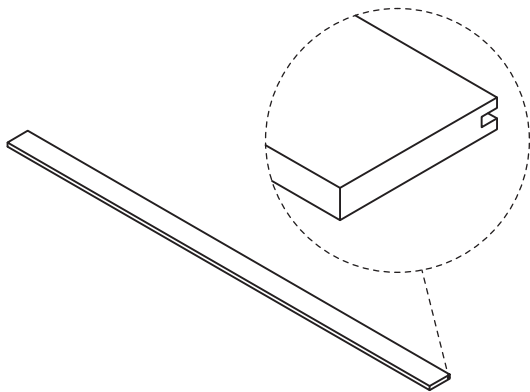
NOTE: Please read all instructions carefully before starting assembly. Also, we recommend that the unit is fully assembled on a level surface. Two people are recommended to assemble this product. **DO NOT** over torque screws and bolts.



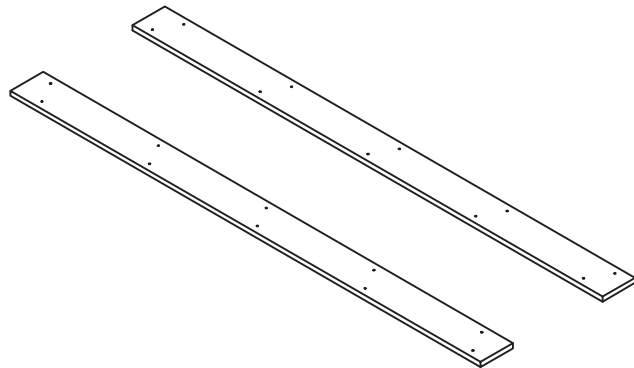
1 INTERIOR VERTICAL SLATS X **6PCS**



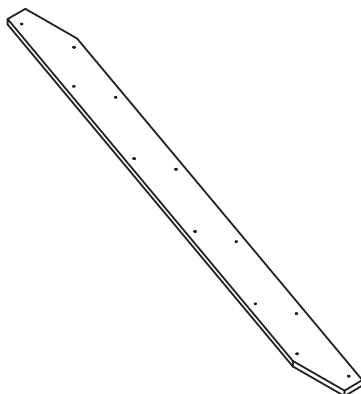
2 RIGHT SIDE END SLAT X **1PC**



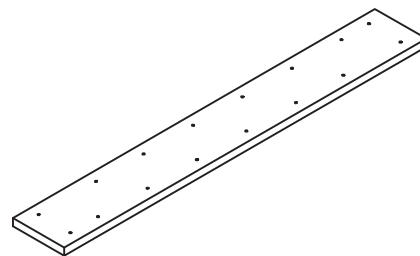
3 LEFT SIDE END SLAT X **1PC**



4 RAISED FRAME, SIDES X **2PCS**



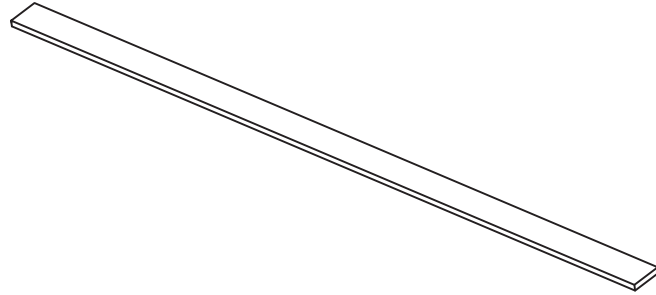
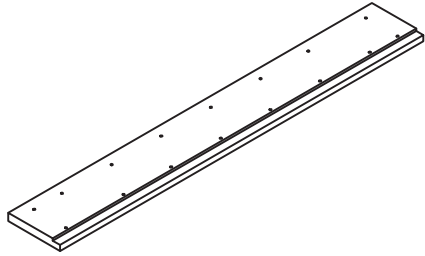
5 RAISED FRAME DIAGONAL X **1PC**



6 RAISED FRAME, TOP X **1PC**

NOTE: Please read all instructions carefully before starting assembly.
 Also, we recommend that the unit is fully assembled on a level surface.
 Two people are recommended to assemble this product.
 DO NOT over torque screws and bolts.

NOTE: ONLY REQUIRED FOR DOORWAYS WITH TRIM. ALIGN SCREWS WITH STUDS.



7

RAISED FRAME, BOTTOM

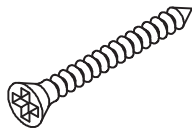
X **1PC**

8

WALL MOUNTING STRIP

X **1PC**

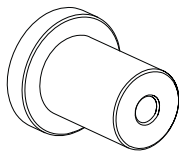
A



3.5X30mm

64+1PCS

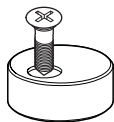
B



RAIL SPACER 30X30X35mm

5PCS

C



DOOR TOP BUMPER 25X25X10mm

2PCS

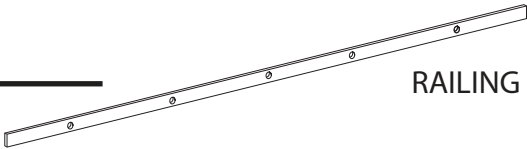
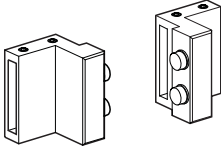
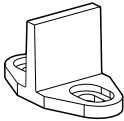
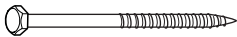
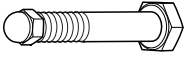
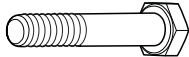
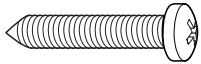
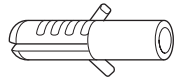

D



ARM ROLLERS 293X70X65mm

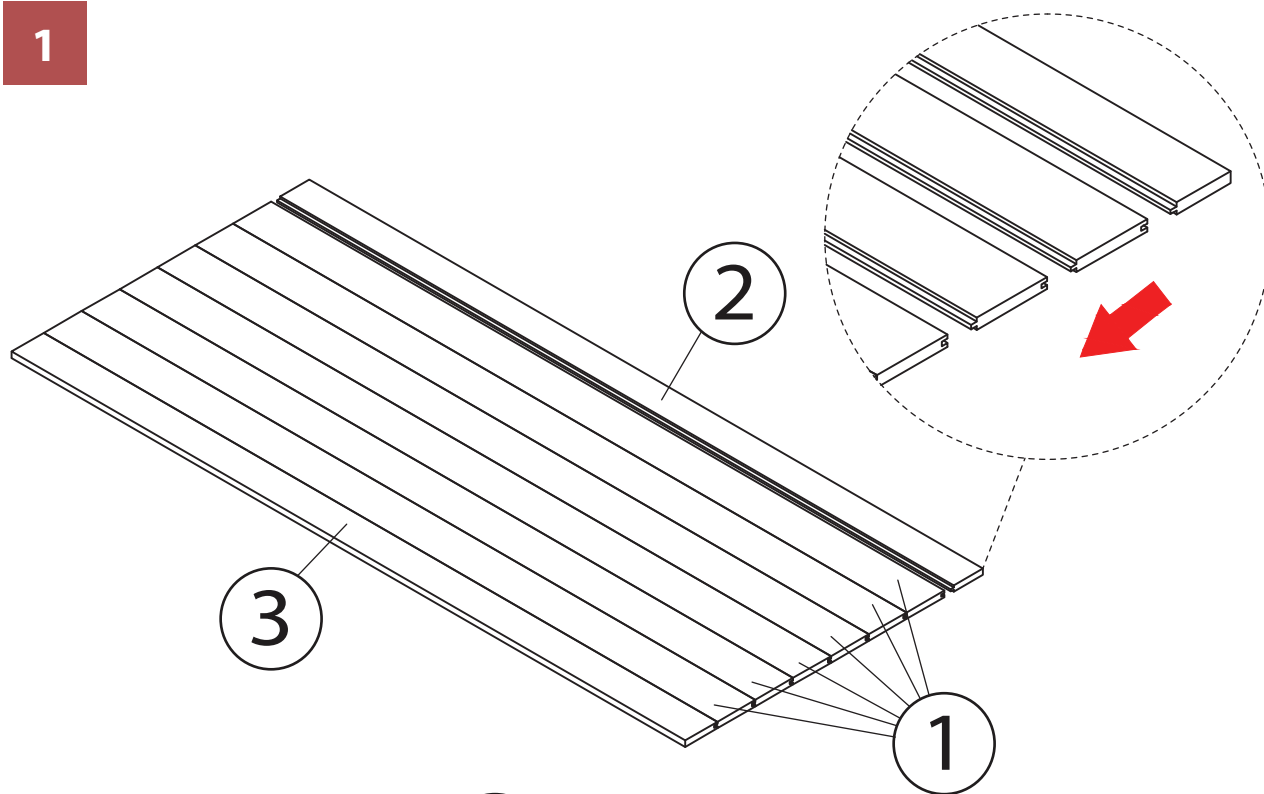
2PCS

NOTE: Please read all instructions carefully before starting assembly. Also, we recommend that the unit is fully assembled on a level surface. Two people are recommended to assemble this product. DO NOT over torque screws and bolts.

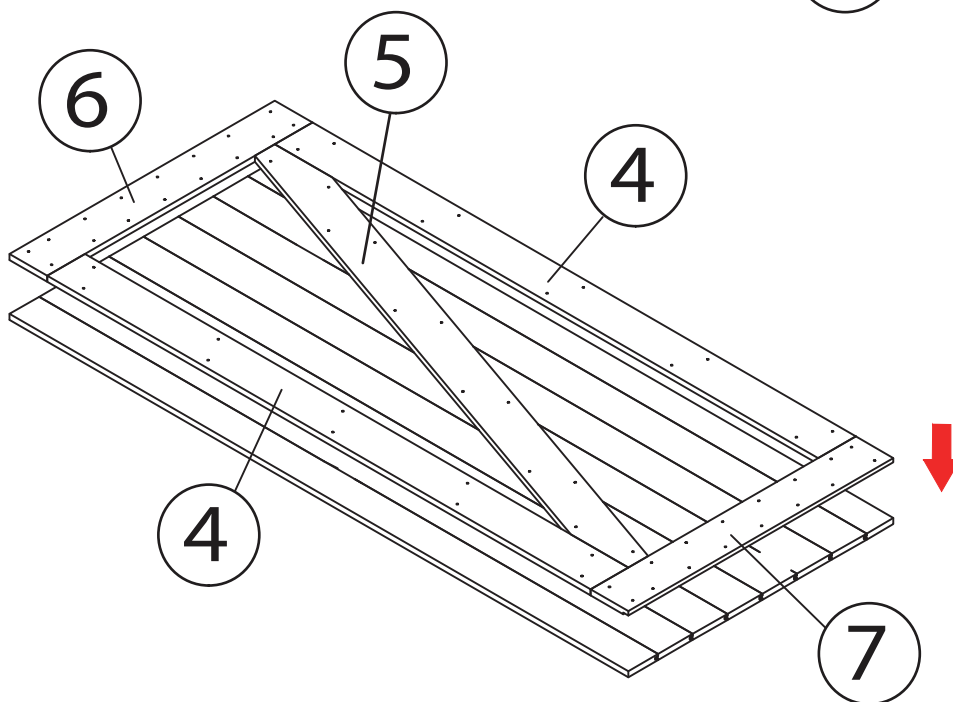
E		RAILING 2000X40X6mm	1PC
F		RAILING ENDS 50X40X36.5mm	2PCS
G		FLOOR DOOR GUIDE 42X23.8X23mm	1PC
H		SCREW 8X90mm	5PCS
I		BOLT M10X55 (FOR 35-40mm DOOR)	4PCS
J		BOLT M10X60 (FOR 40-45mm DOOR)	4PCS
K		SCREW ST 3X25mm	2PCS
L		WALL SCREW ANCHOR Ø8X30mm	2PCS
M		ALLEN KEY 55X15X2mm	1PC

NOTE: Please read all instructions carefully before starting assembly.
 Also, we recommend that the unit is fully assembled on a level surface.
 Two people are recommended to assemble this product.
 DO NOT over torque screws and bolts.

1

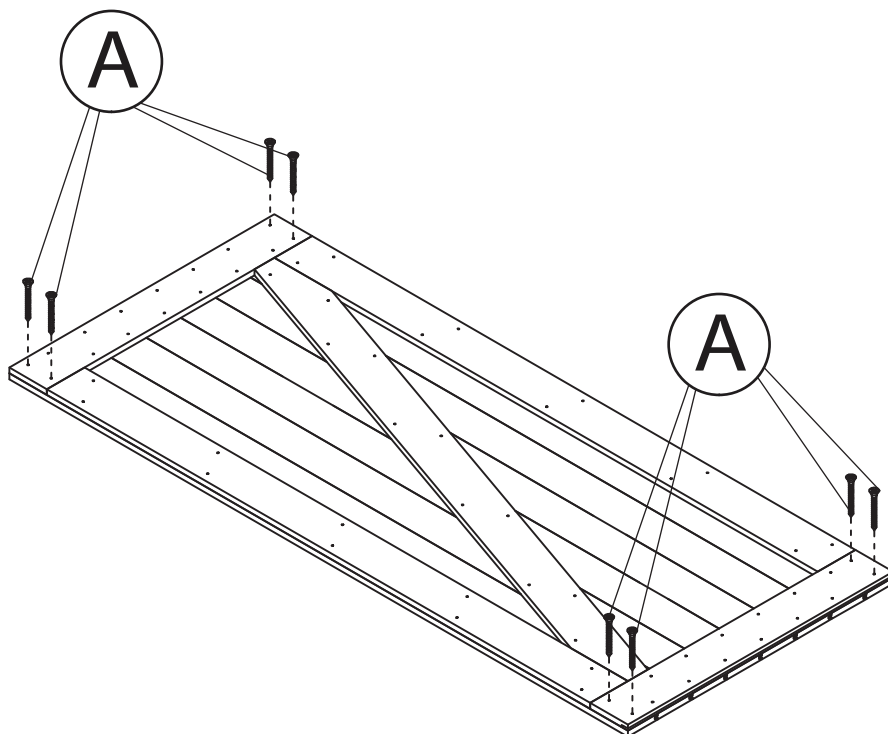


2

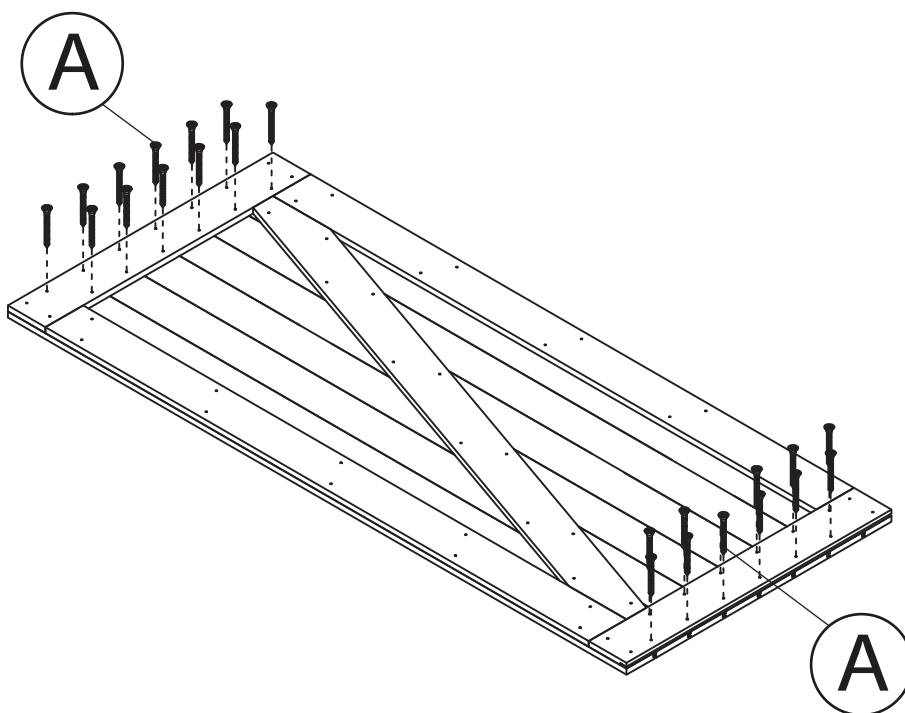


NOTE: Please read all instructions carefully before starting assembly.
 Also, we recommend that the unit is fully assembled on a level surface.
 Two people are recommended to assemble this product.
 DO NOT over torque screws and bolts.

3

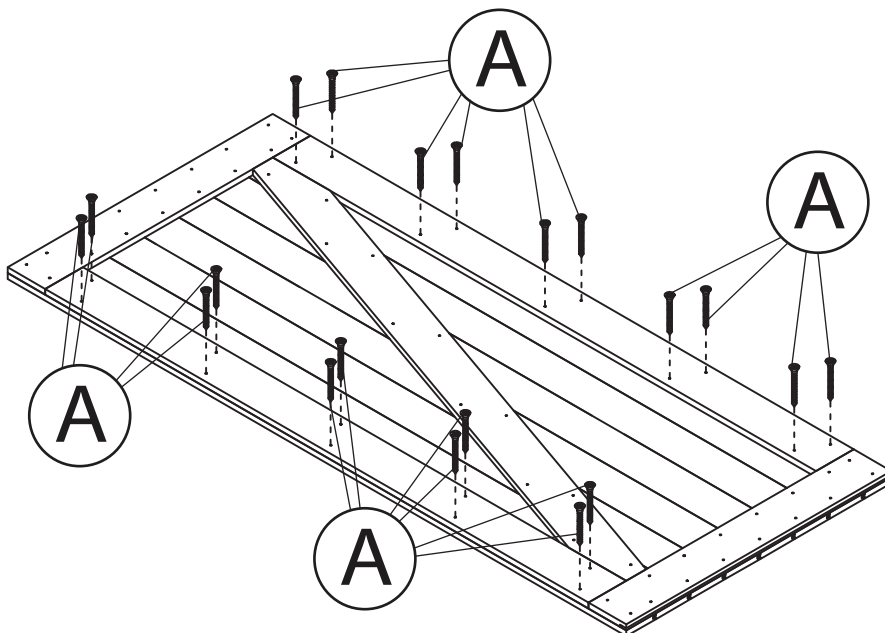


4

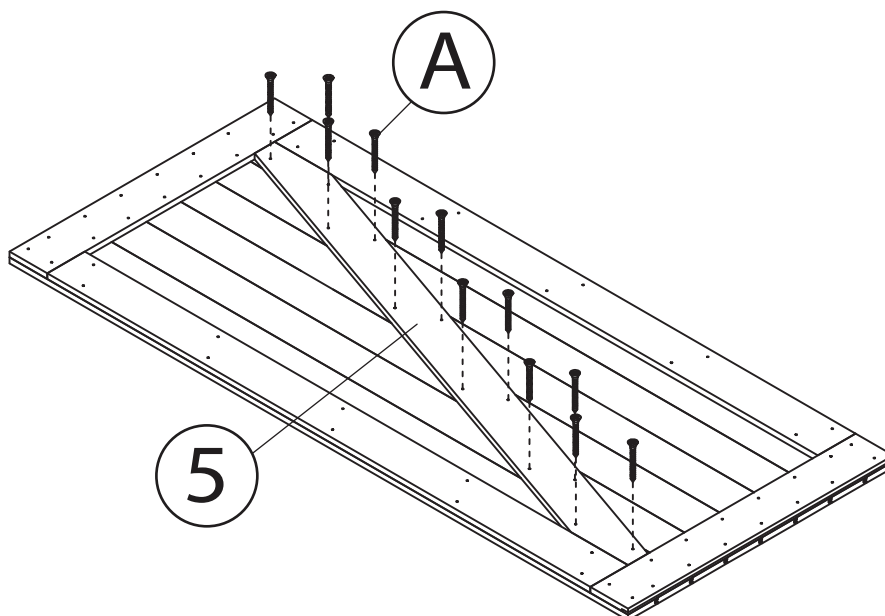


NOTE: Please read all instructions carefully before starting assembly.
Also, we recommend that the unit is fully assembled on a level surface.
Two people are recommended to assemble this product.
DO NOT over torque screws and bolts.

5



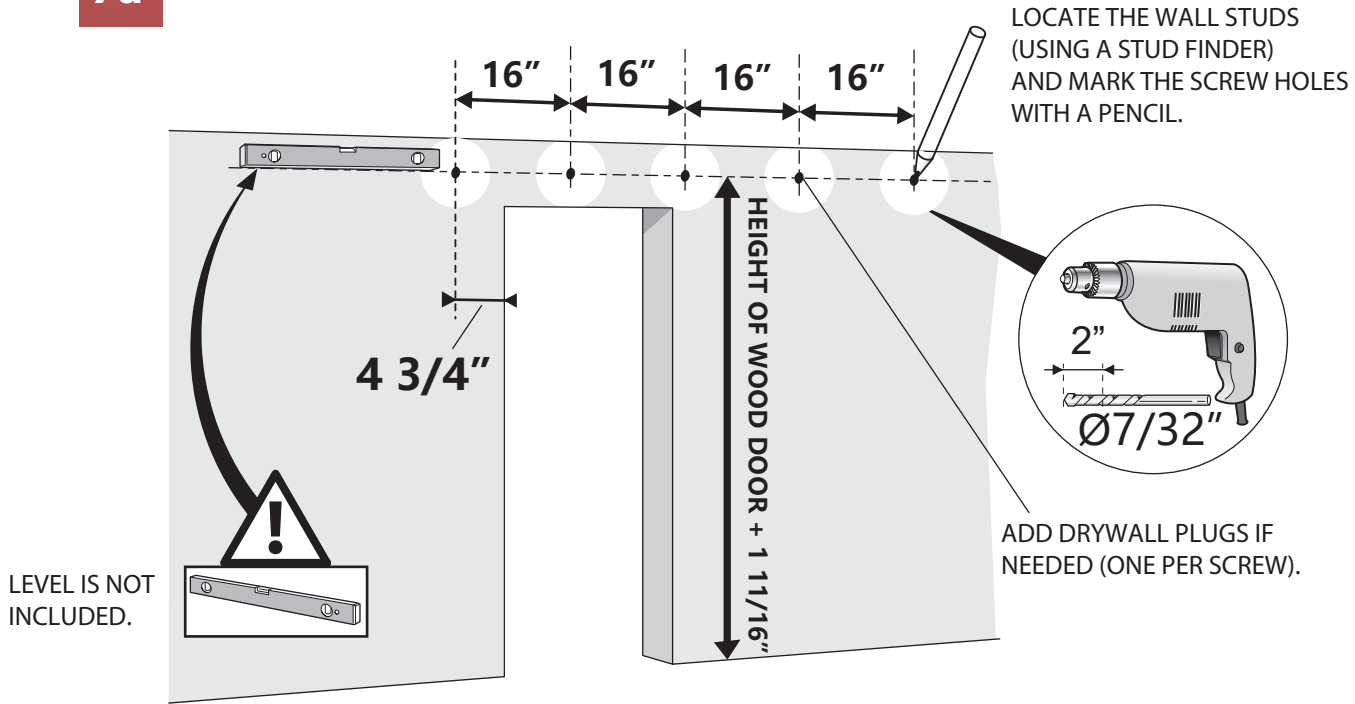
6



NOTE: Please read all instructions carefully before starting assembly.
Also, we recommend that the unit is fully assembled on a level surface.
Two people are recommended to assemble this product.
DO NOT over torque screws and bolts.

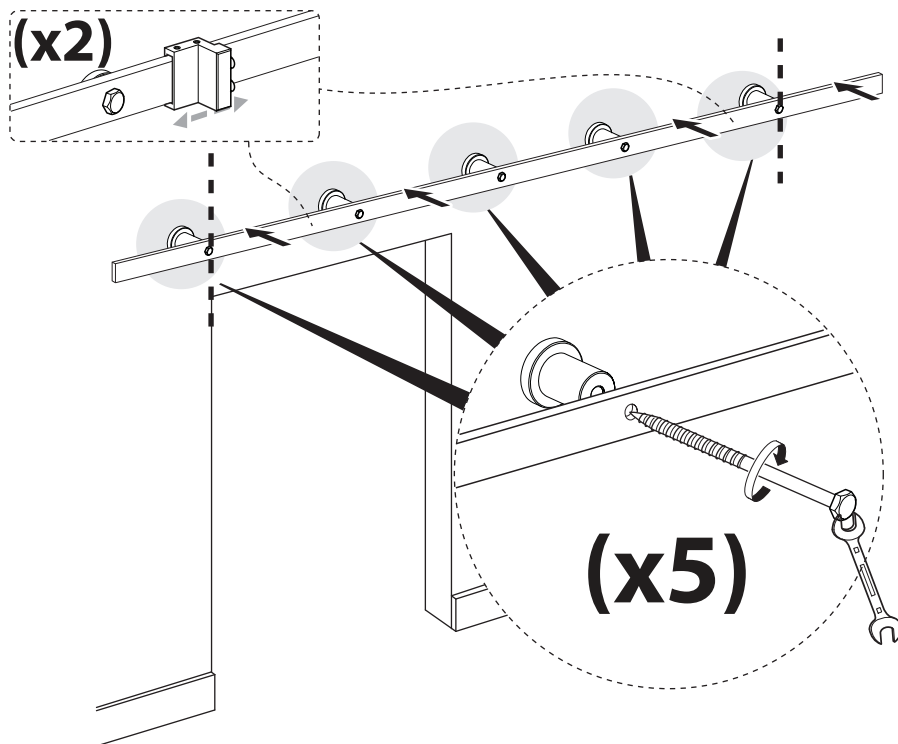
7a

FOR DOORWAYS WITHOUT TRIM



8a

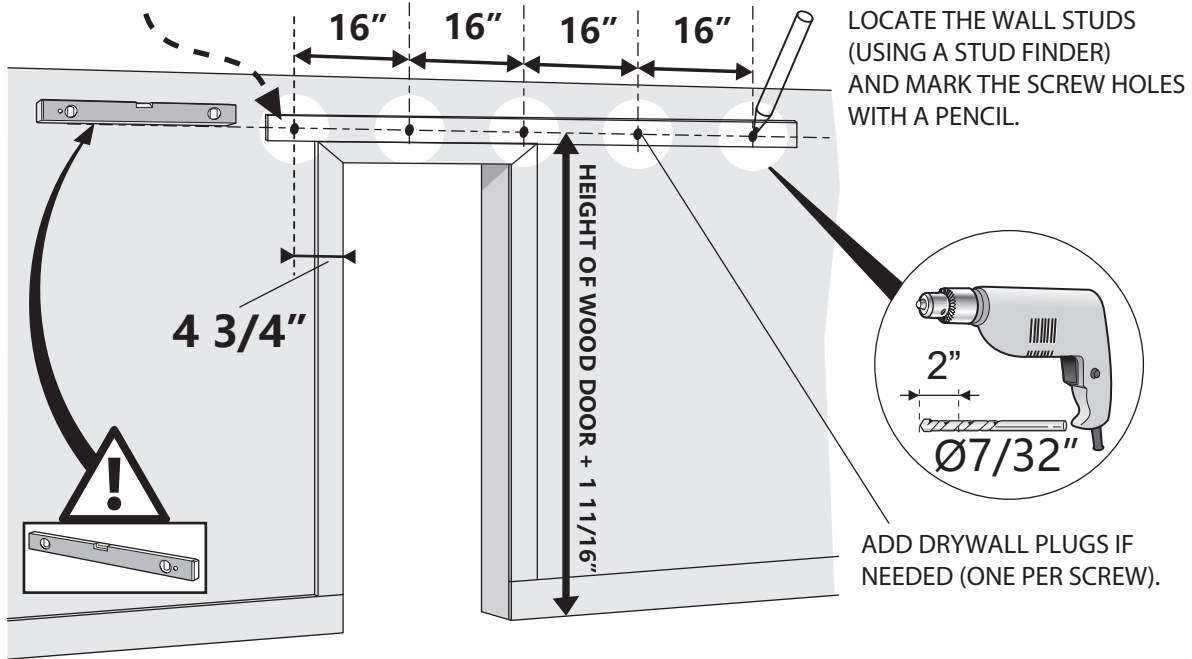
RAILING ENDS (F) MAY NEED TO BE MOUNTED INSIDE OF THE RAIL SPACERS (B). DETERMINE THEIR LOCATION PRIOR TO MOUNTING RAILING (E).



7b

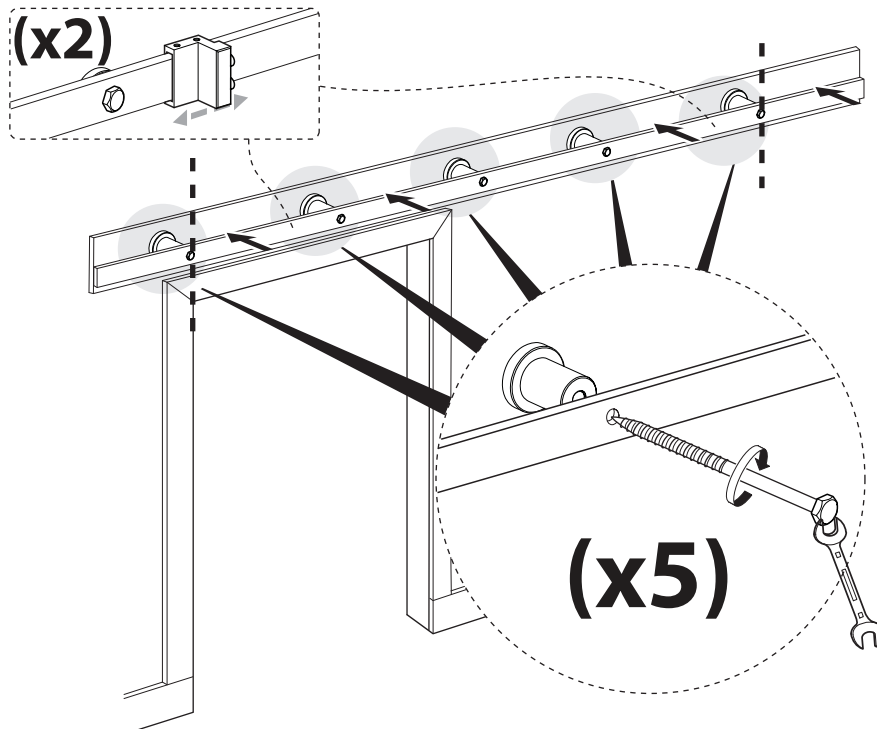
FOR DOORWAYS WITH TRIM

NOTE: ATTACH PART 8 TO THE WALL (ABOVE DOOR TRIM), ALIGNING SCREWS WITH STUDS. COMPLETE PRIOR TO MARKING THE RAILING SCREW HOLES.

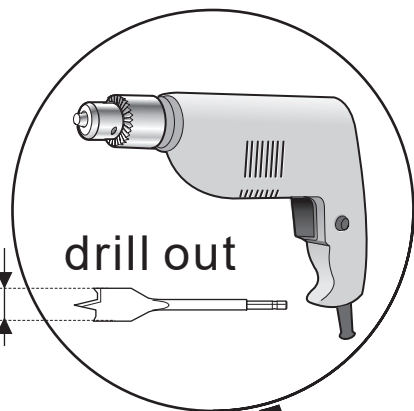


8b

RAILING ENDS (F) MAY NEED TO BE MOUNTED INSIDE OF THE RAIL SPACERS (B). DETERMINE THEIR LOCATION PRIOR TO MOUNTING RAILING (E).



9

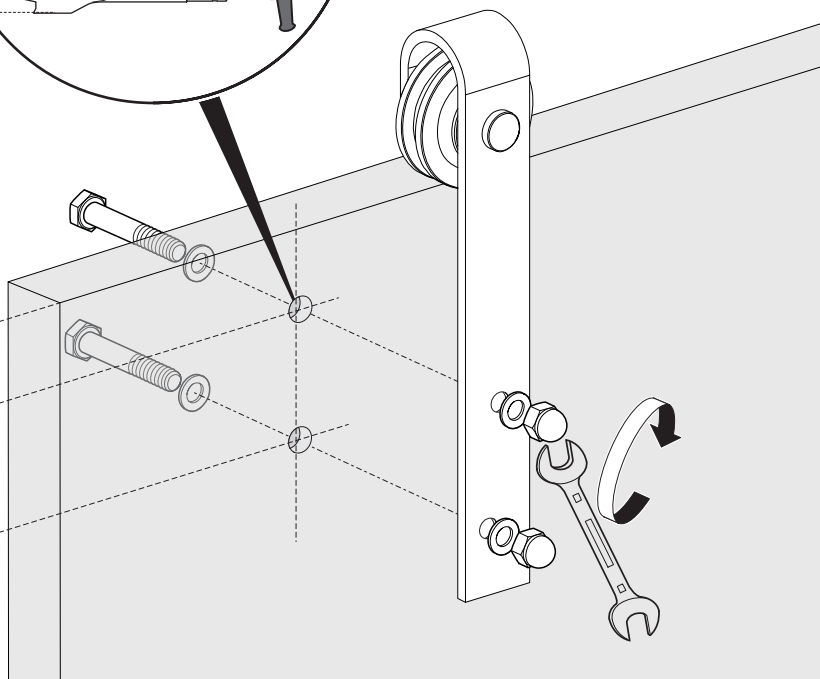


Ø 7/16"

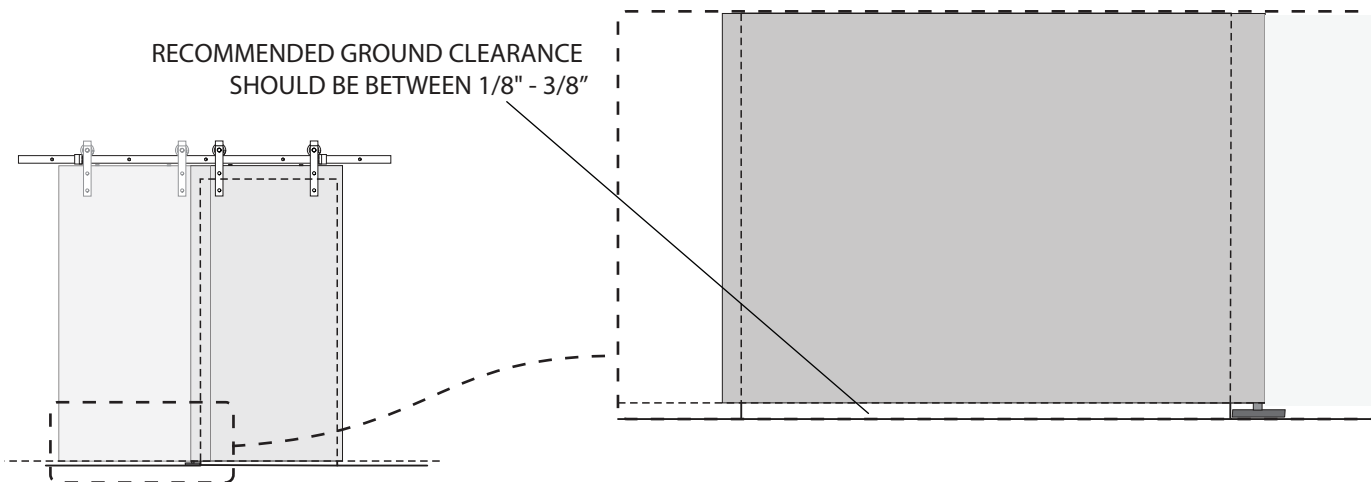
(x2)

1 1/2"

ALIGN WITH HOLE SPACING



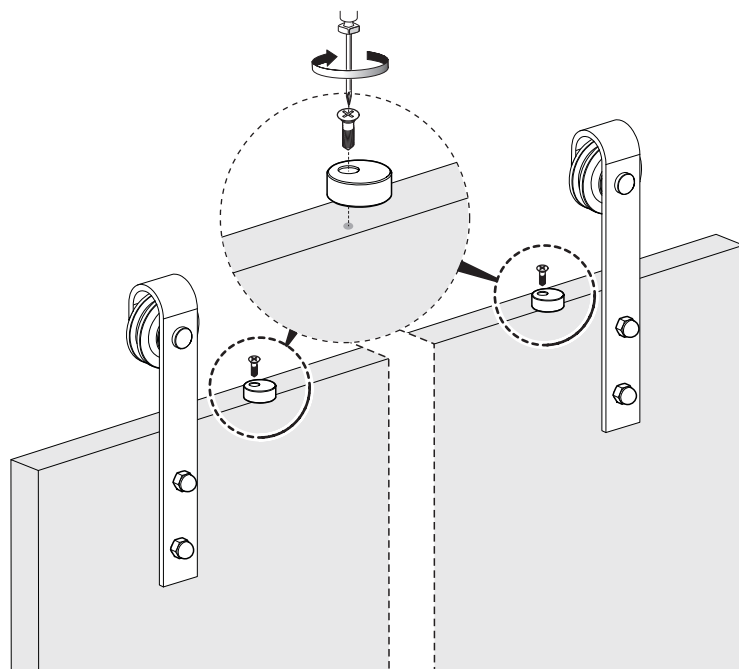
RECOMMENDED GROUND CLEARANCE SHOULD BE BETWEEN 1/8" - 3/8"



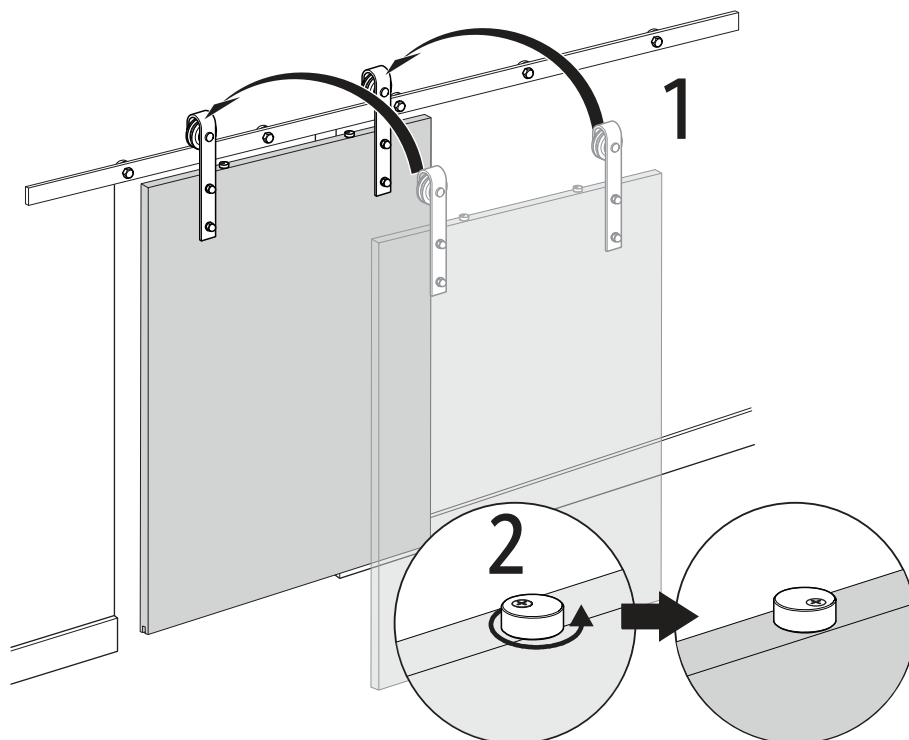
NOTE: Please read all instructions carefully before starting assembly. Also, we recommend that the unit is fully assembled on a level surface. Two people are recommended to assemble this product. DO NOT over torque screws and bolts.

10

(x2)

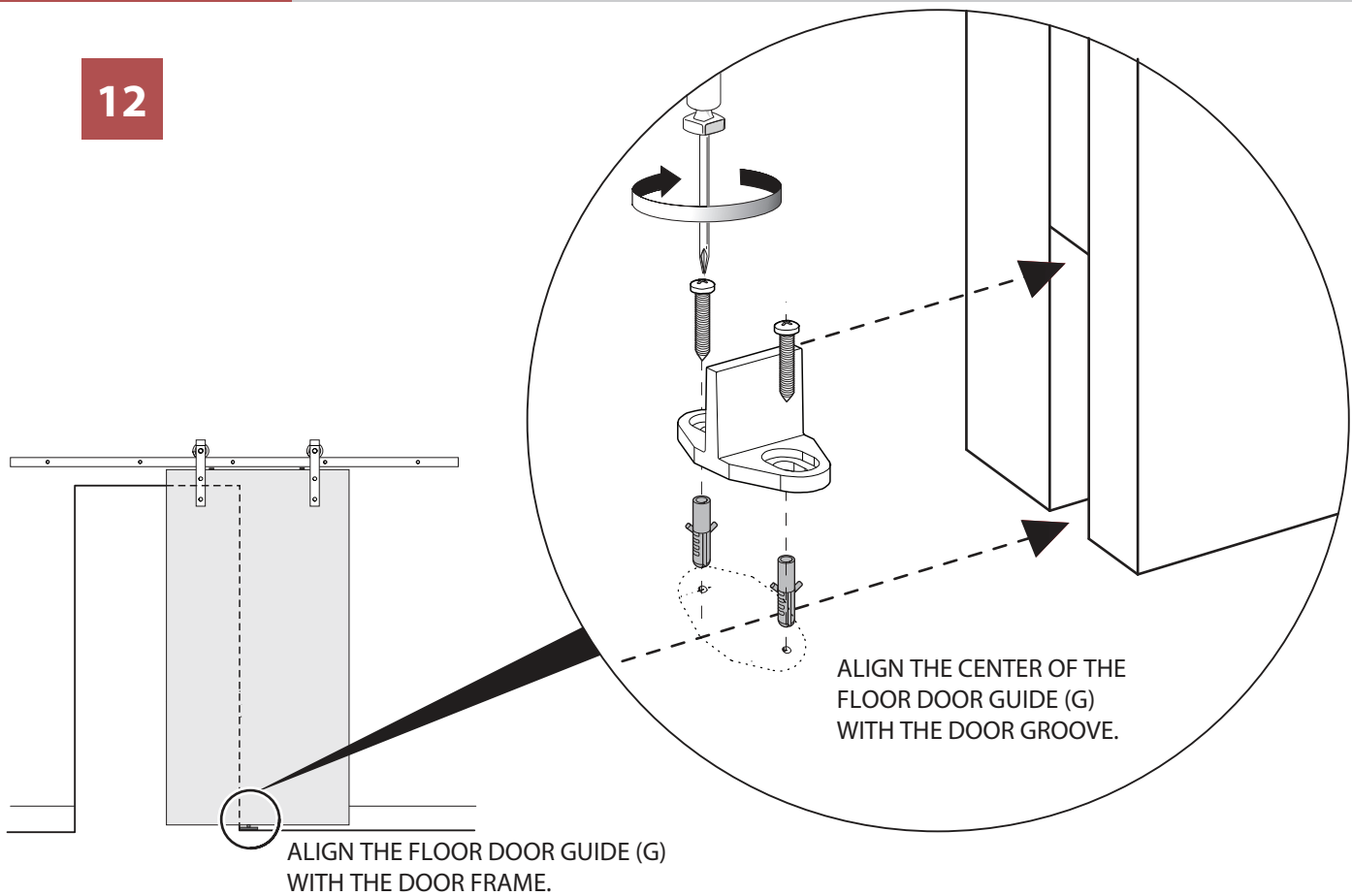


11



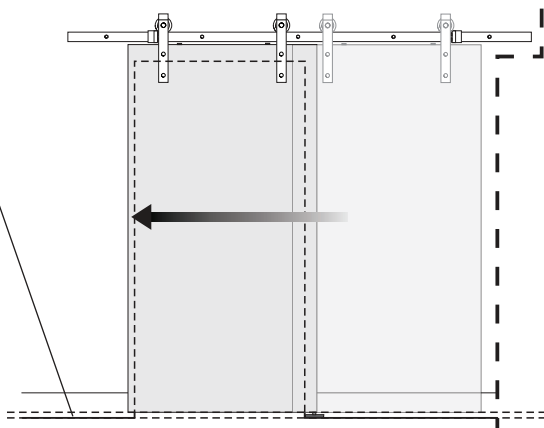
NOTE: Please read all instructions carefully before starting assembly.
Also, we recommend that the unit is fully assembled on a level surface.
Two people are recommended to assemble this product.
DO NOT over torque screws and bolts.

12



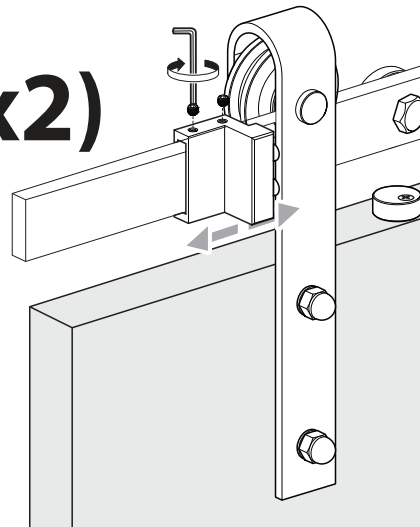
13

RECOMMENDED GROUND CLEARANCE SHOULD BE BETWEEN 1/8" - 3/8"



SLIDE AND LOCK RAILING ENDS INTO THEIR FINAL POSITIONS.

(x2)



NOTE: Please read all instructions carefully before starting assembly. Also, we recommend that the unit is fully assembled on a level surface. Two people are recommended to assemble this product. DO NOT over torque screws and bolts.

Please check contents before assembly. If any items are missing or damaged, do not take the unit back to the store. Call (775) 629-5029 or email: service@merryproducts.com for customer service and we will save you time by correcting any problems directly for you.

NOTE: Please read all instructions carefully before starting assembly. Also, we recommend that the unit is fully assembled on a level surface. Two people are recommended to assemble this product. DO NOT over torque screws and bolts.