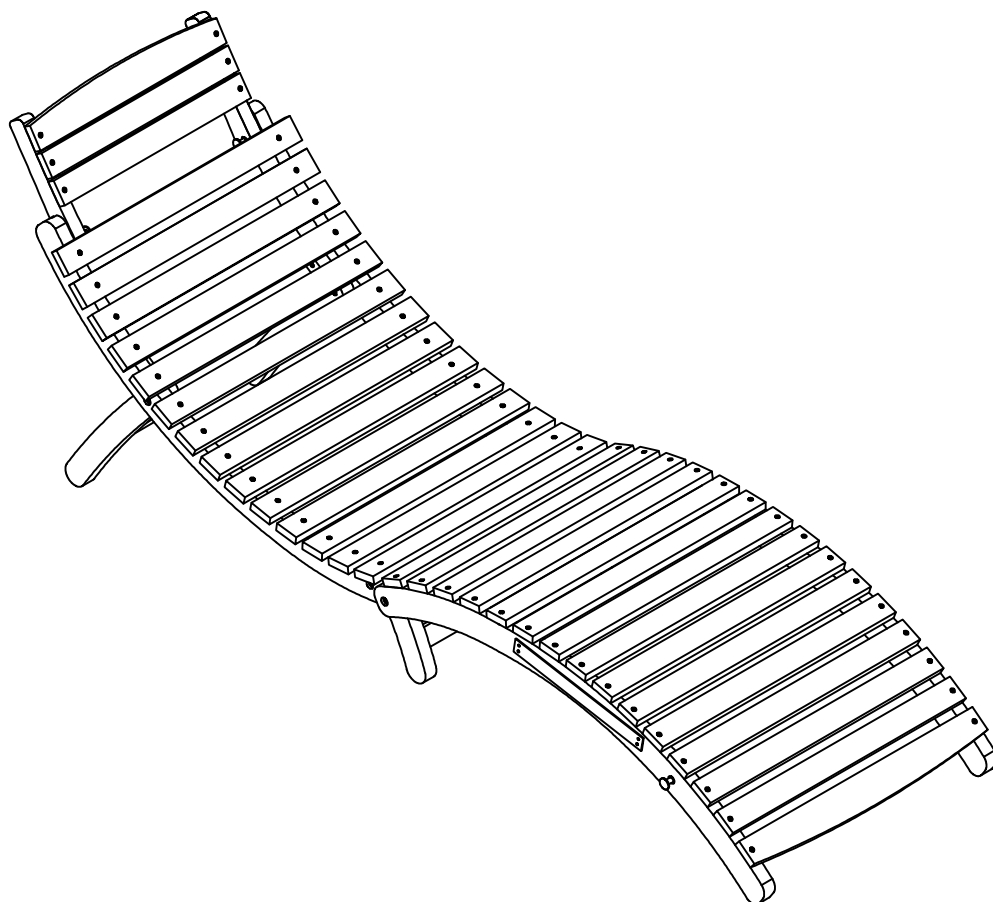


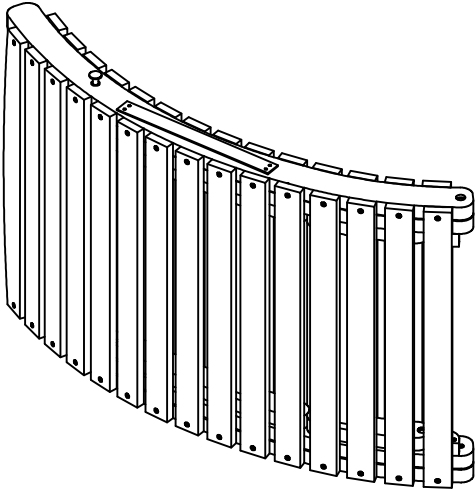
CARE INSTRUCTIONS

Thank you for choosing northbeam Curved Folding Chaise Lounger. With little care and maintenance, the northbeam Curved Folding Chaise Lounger will provide you with comfort and enjoyment for many years to come!

- To clean panels, use clean water on a damp cloth.
- When assembling northbeam Curved Folding Chaise Lounger, please handle all the panels and/or hardware with care to avoid any possibilities of damages and/or injuries.



NOTE: Please read all instructions carefully before starting assembly. Also, we recommend that the unit is fully assembled on a level surface. **DO NOT** over torque screws and bolts.



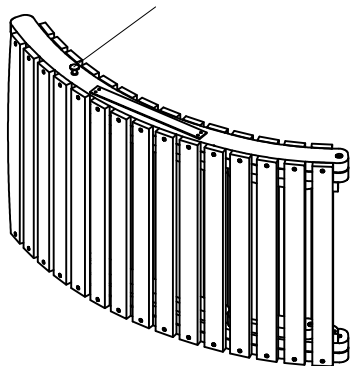
1

FOLDED CHAISE X1PC

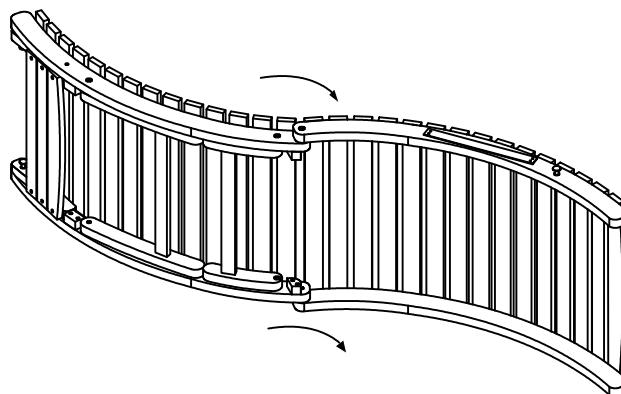
NOTE: Please read all instructions carefully before starting assembly.
Also, we recommend that the unit is fully assembled on a level surface.
DO NOT over torque screws and bolts.

1

Pull pin on each side to
unlock folded chaise position.

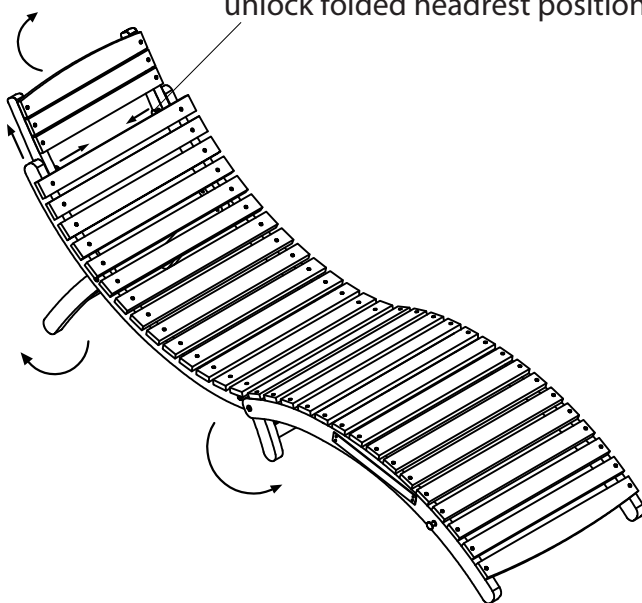


2



3

Pull pin on each side to
unlock folded headrest position.



NOTE: Please read all instructions carefully before starting assembly.
Also, we recommend that the unit is fully assembled on a level surface.
DO NOT over torque screws and bolts.

Please check contents before assembly. If any items are missing or damaged, do not take the unit back to the store. Call (775) 629-5029 or email: service@merryproducts.com for customer service and we will save you time by correcting any problems directly for you.

NOTE: Please read all instructions carefully before starting assembly. Also, we recommend that the unit is fully assembled on a level surface. DO NOT over torque screws and bolts.