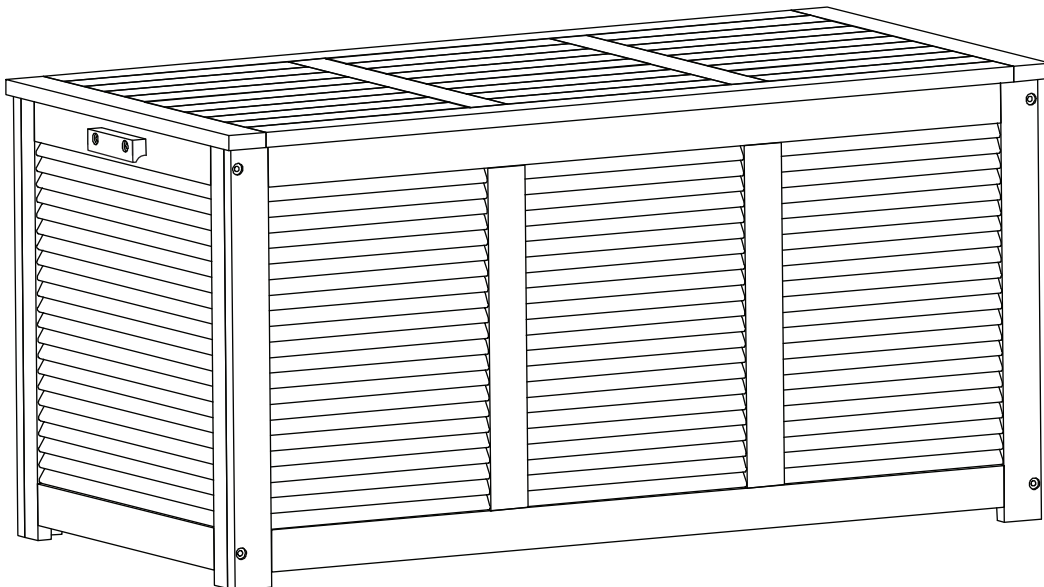


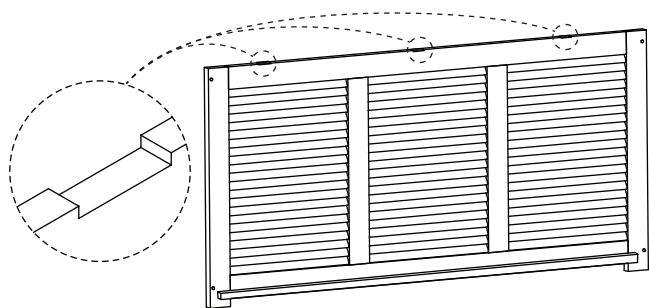
CARE INSTRUCTIONS

Thank you for choosing northbeam™ CUSHION STORAGE BOX. With a little care and maintenance, the northbeam™ CUSHION STORAGE BOX will provide you with comfort and enjoyment for many years to come!

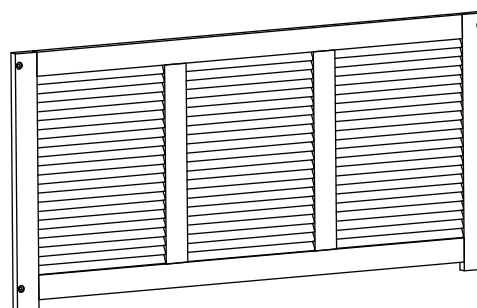
- To clean panels, use clean water on a damp cloth.
- When assembling northbeam™ CUSHION STORAGE BOX, please handle all the panels and/or hardware with care to avoid any possibilities of damages and/or injuries.
- Cover during harsh weather to keep it from weathering.
- It is highly recommended that you treat the northbeam™ CUSHION STORAGE BOX with a weatherproof coating of stain once a year, to increase life expectancy and maintain the look.



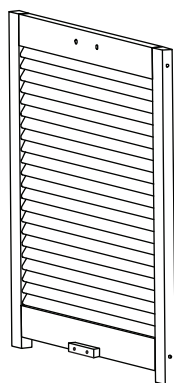
NOTE: Please read all instructions carefully before starting assembly. Also, we recommend that the unit is fully assembled on a level surface. Two people are recommended to assemble this product. DO NOT over torque screws and bolts.



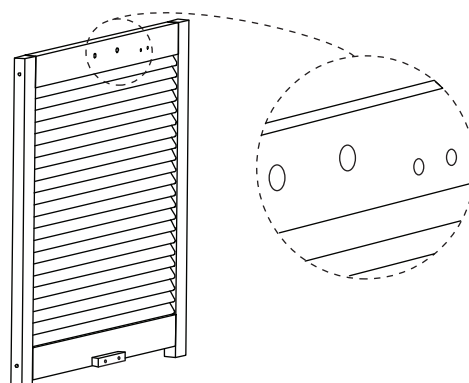
1 BACK PANEL X 1PC



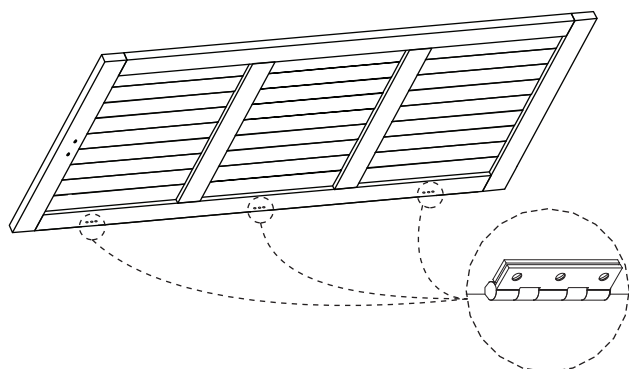
2 FRONT PANEL X 1PC



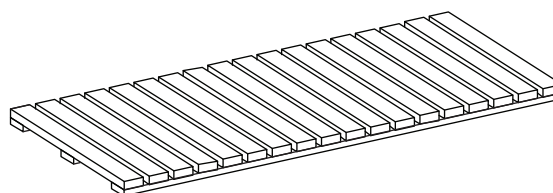
3 RIGHT PANEL X 1PC



4 LEFT PANEL X 1PC

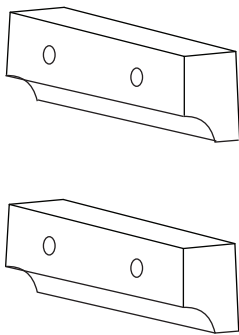


5 TOP PANEL X 1PC

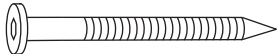


6 BOTTOM PANEL X 1PC

NOTE: Please read all instructions carefully before starting assembly.
 Also, we recommend that the unit is fully assembled on a level surface.
 Two people are recommended to assemble this product.
 DO NOT over torque screws and bolts.

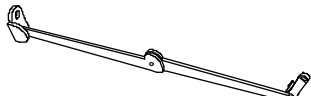


7 HANDLE X 2PCS

A  M6X50 8PCS

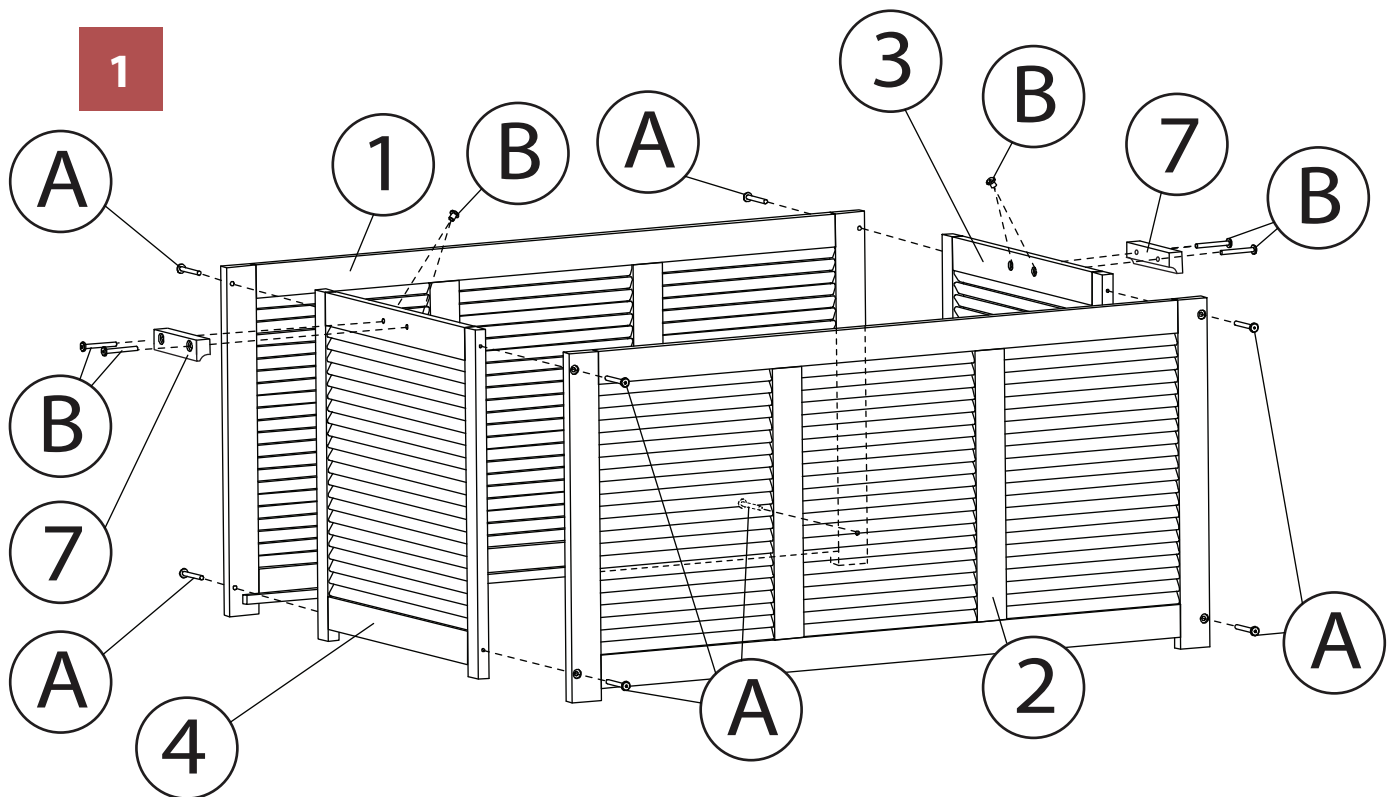
B  M6X30 4PCS

C  M4X15 13PCS

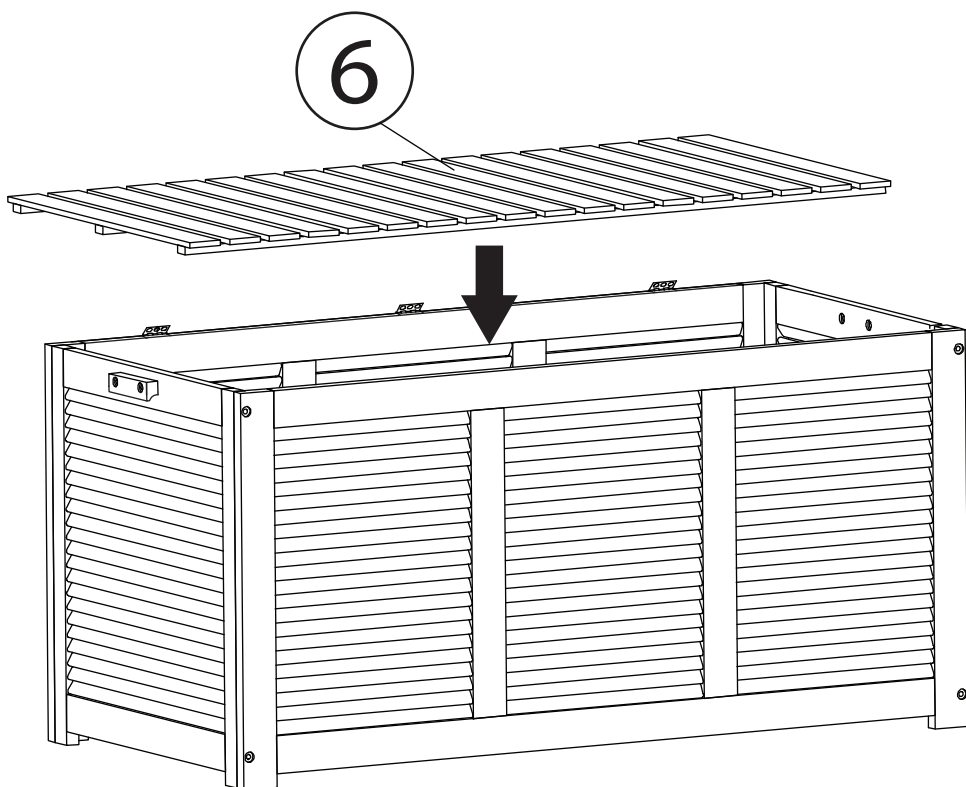
D  SOFT CLOSE ARM 1PC

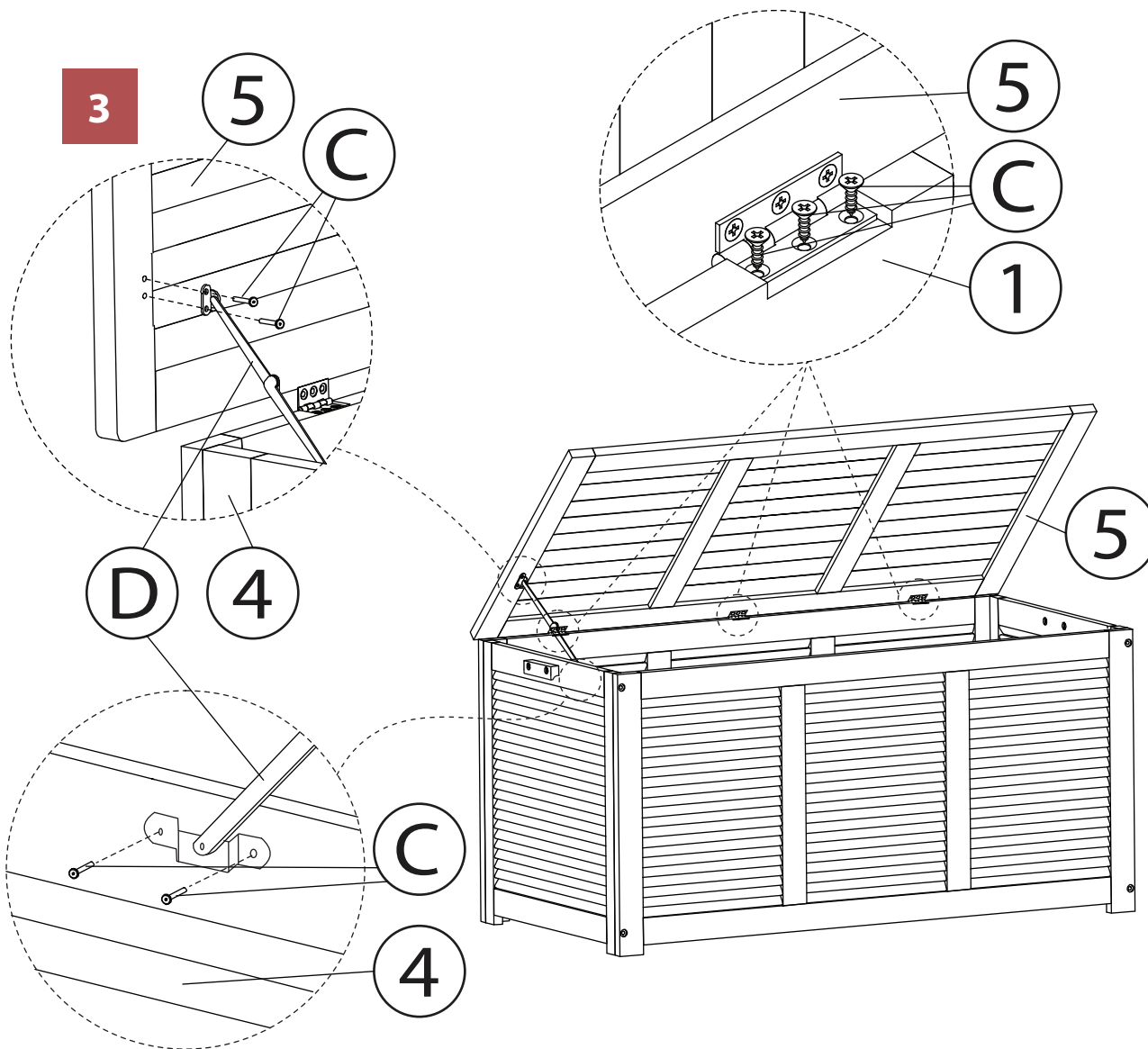
E  ALLEN KEY 2PCS

NOTE: Please read all instructions carefully before starting assembly. Also, we recommend that the unit is fully assembled on a level surface. Two people are recommended to assemble this product. DO NOT over torque screws and bolts.

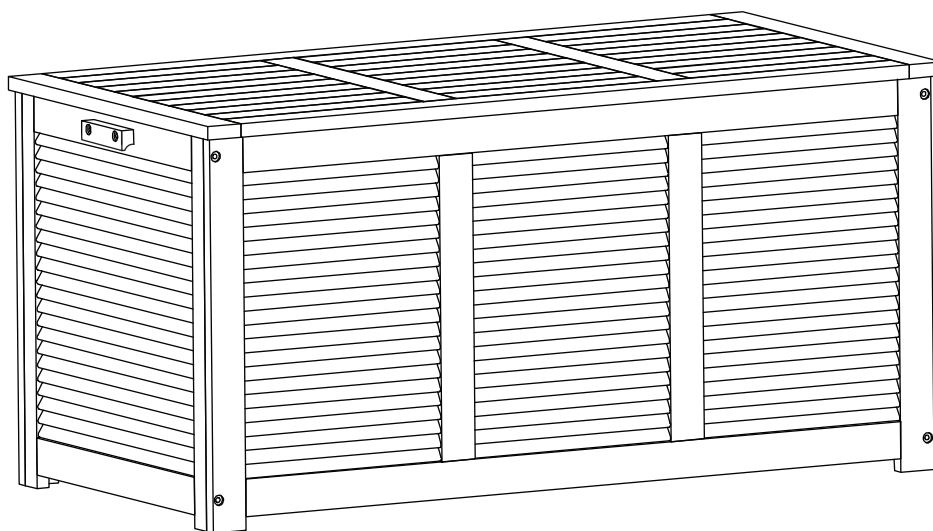


2





4



Please check contents before assembly. If any items are missing or damaged, do not take the unit back to the store. Call (775) 629-5029 or email: service@merryproducts.com for customer service and we will save you time by correcting any problems directly for you.

NOTE: Please read all instructions carefully before starting assembly. Also, we recommend that the unit is fully assembled on a level surface. Two people are recommended to assemble this product. DO NOT over torque screws and bolts.