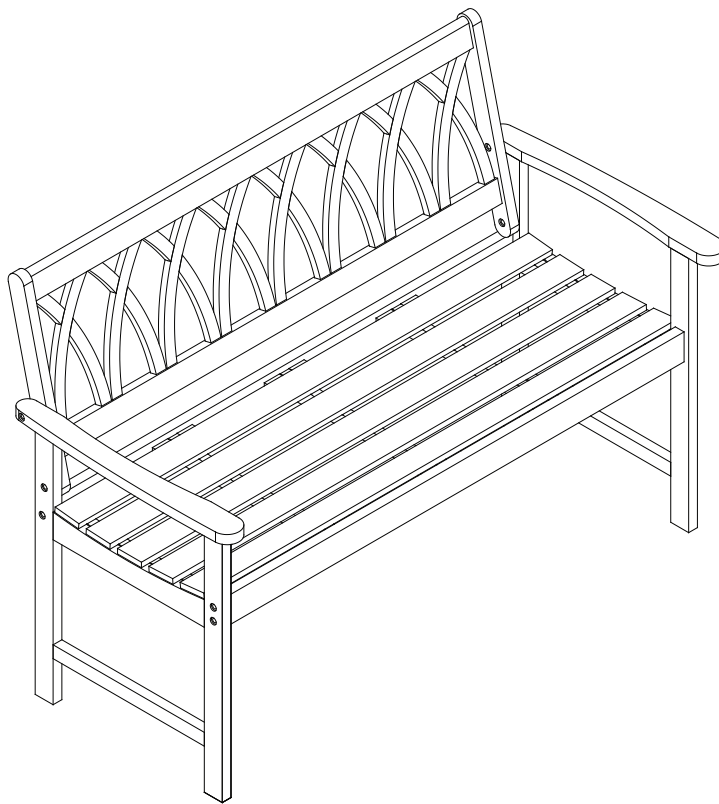


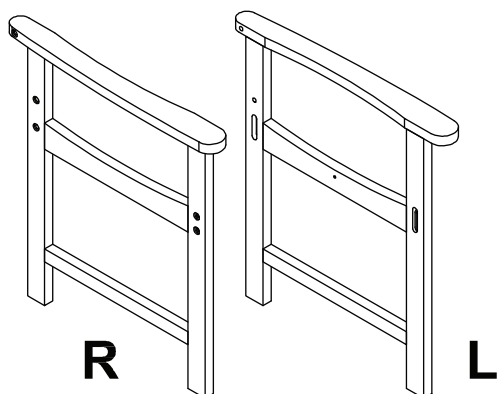
## CARE INSTRUCTIONS

Thank you for choosing northbeam<sup>™</sup> CRISS CROSS GARDEN BENCH. With a little care and maintenance, the northbeam<sup>™</sup> CRISS CROSS GARDEN BENCH will provide you with comfort and enjoyment for many years to come!

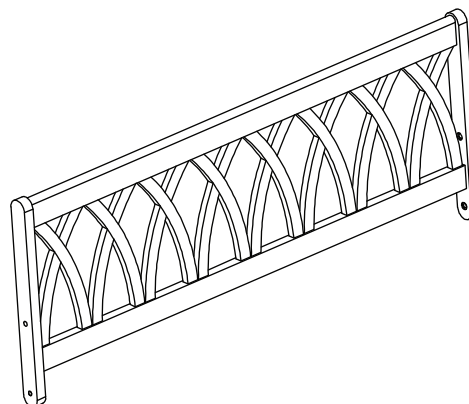
- To clean panels, use clean water on a damp cloth.
- When assembling northbeam<sup>™</sup> CRISS CROSS GARDEN BENCH, please handle all the panels and/or hardware with care to avoid any possibilities of damages and/or injuries.
- Cover during harsh weather to keep it from weathering.
- It is highly recommended that you treat the northbeam<sup>™</sup> CRISS CROSS GARDEN BENCH with a weatherproof coating of stain once a year, to increase life expectancy and maintain the look.



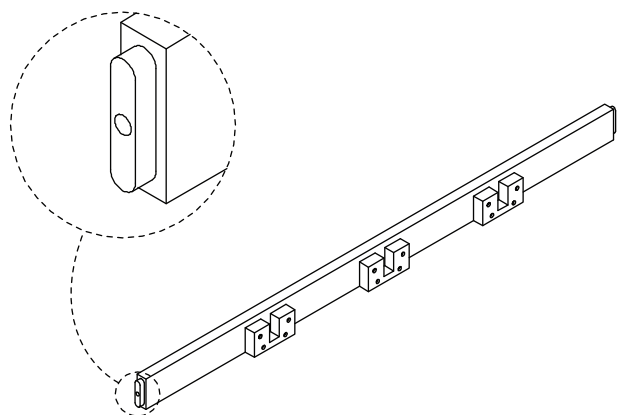
**NOTE:** Please read all instructions carefully before starting assembly. Also, we recommend that the unit is fully assembled on a level surface. Two people are recommended to assemble this product. **DO NOT** over torque screws and bolts.



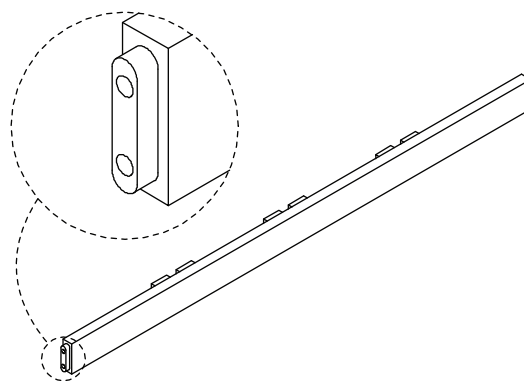
**1** ARMREST X 2PCS



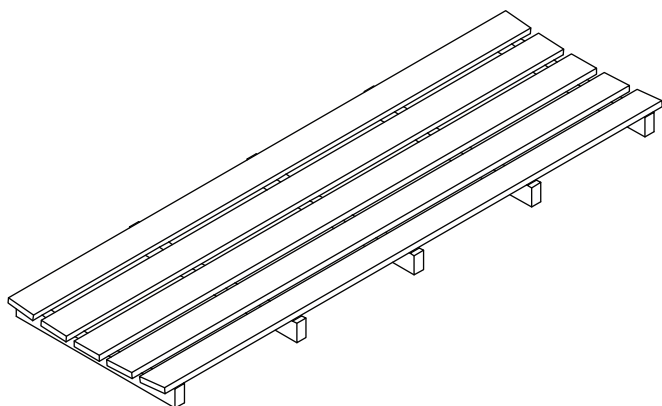
**2** BACKREST X 1PC



**3** BACK CROSS BEAM X 1PC

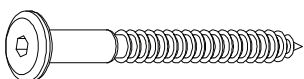


**4** FRONT CROSS BEAM X 1PC



**5** SEAT X 1PC

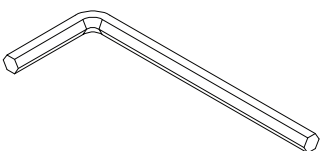
NOTE: Please read all instructions carefully before starting assembly. Also, we recommend that the unit is fully assembled on a level surface. Two people are recommended to assemble this product. DO NOT over torque screws and bolts.

A  SCREW 7X70 **6PCS**

B  SCREW 6X35 **2PCS**

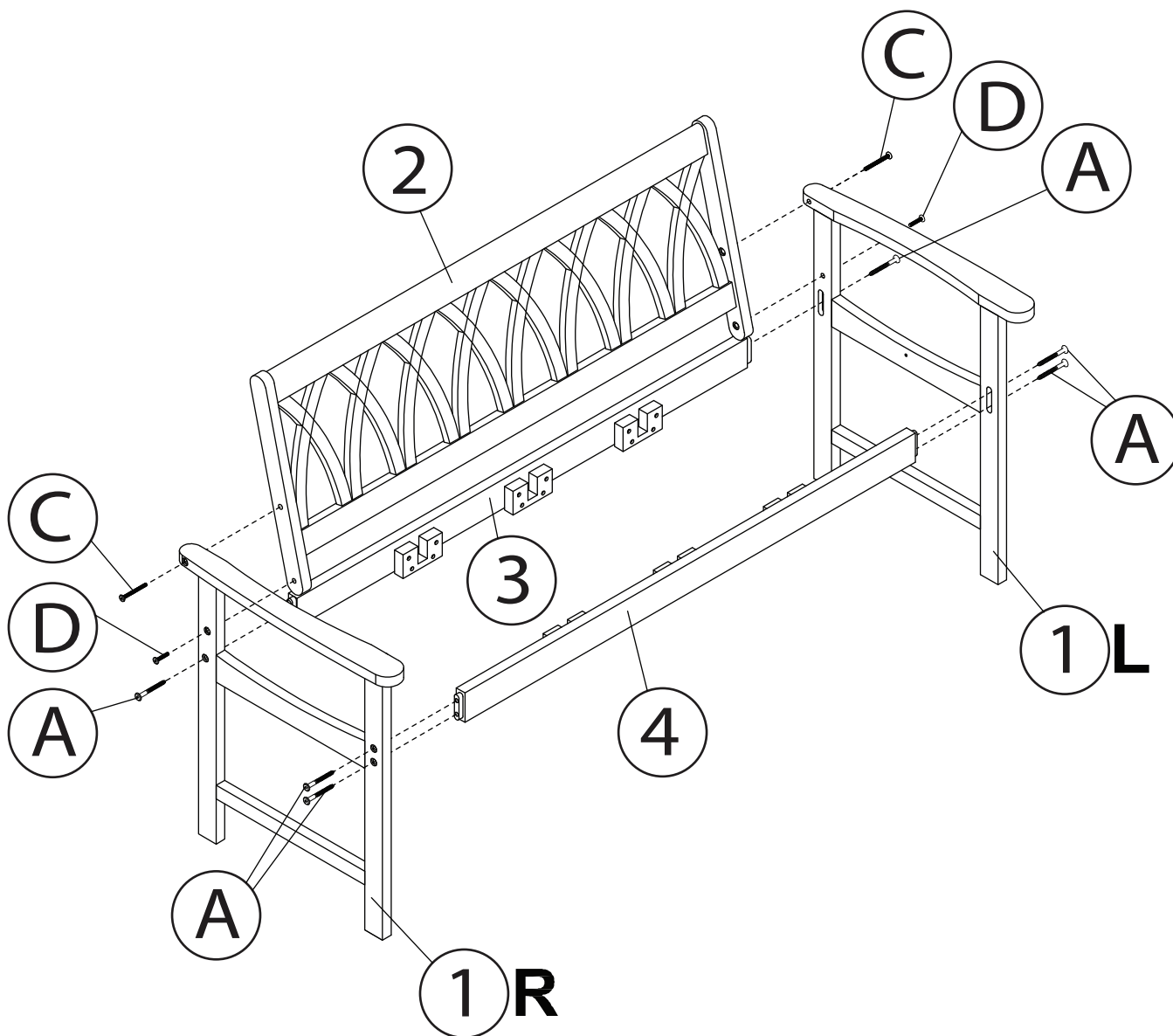
C  BOLT 8X60 **2PCS**

D  BOLT 8X40 **2PCS**

E  ALLEN KEY **1PC**

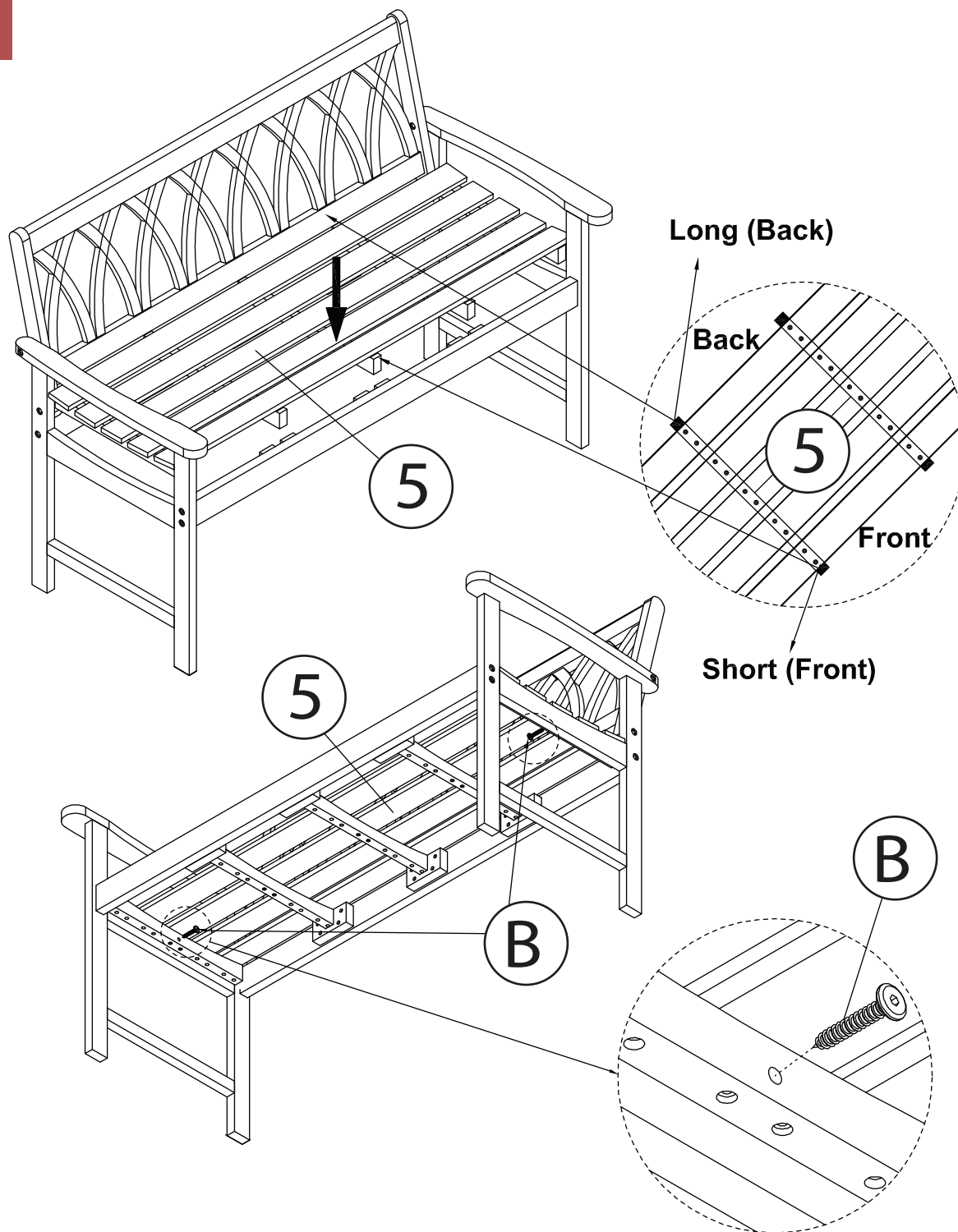
NOTE: Please read all instructions carefully before starting assembly.  
 Also, we recommend that the unit is fully assembled on a level surface.  
 Two people are recommended to assemble this product.  
 DO NOT over torque screws and bolts.

1



NOTE: Please read all instructions carefully before starting assembly.  
 Also, we recommend that the unit is fully assembled on a level surface.  
 Two people are recommended to assemble this product.  
 DO NOT over torque screws and bolts.

2



NOTE: Please read all instructions carefully before starting assembly.  
 Also, we recommend that the unit is fully assembled on a level surface.  
 Two people are recommended to assemble this product.  
 DO NOT over torque screws and bolts.

Please check contents before assembly. If any items are missing or damaged, do not take the unit back to the store. Call (775) 629-5029 or email: [service@merryproducts.com](mailto:service@merryproducts.com) for customer service and we will save you time by correcting any problems directly for you.

NOTE: Please read all instructions carefully before starting assembly. Also, we recommend that the unit is fully assembled on a level surface. Two people are recommended to assemble this product. DO NOT over torque screws and bolts.