

# GEN2000-SS

QJ

**2000 Surge Watts / 1400 Running Watts**

## **GAS FUEL GENERATOR INSTRUCTION MANUAL**



### **READ ALL INSTRUCTIONS AND WARNINGS BEFORE USING THIS PRODUCT.**

This manual provides important information on proper operation & maintenance. Every effort has been made to ensure the accuracy of this manual. These instructions are not meant to cover every possible condition and situation that may occur. We reserve the right to change this product at any time without prior notice.

**IF THERE IS ANY QUESTION ABOUT A CONDITION BEING SAFE OR UNSAFE,  
DO NOT OPERATE THIS PRODUCT!**

**Visit our website for Troubleshooting / Frequently Asked Questions  
<http://sportsmanseriesbrand.com/generators>**

### **QUESTIONS? PROBLEMS? CALL US FIRST!**

If you experience a problem, have questions or need parts for this product, call Customer Service at **1-866-460-9436, Monday-Friday, 8 AM - 4 PM Central Time**. A copy of the sales receipt is required.

**FOR CONSUMER USE ONLY – NOT FOR PROFESSIONAL USE.  
KEEP THIS MANUAL, SALES RECEIPT & APPLICABLE WARRANTY FOR FUTURE REFERENCE.**

# GEN2000-SS Portable Gas Fuel Generator



## FEATURES:

- 2000 Surge Watts / 1400 Running Watts
- 4-Stroke OHV Engine 94cc
- Recoil Start
- 3.5 HP Gas Fuel Engine
- Spark Plug Model E7RTC
- 1 - 12V D/C Outlet
- 2 - 120V A/C Outlets
- Engine Run Time: 11 Hours @ 50% Load
- Low Oil Shutdown
- Complies with EPA emissions
- Decibel Rating: 68dB @ 0% Load
- Oil Capacity: 12 ounces
- Fuel Capacity: 1.5 gallon
- Fuel Type: Unleaded Gasoline Only octane rating 87 or higher
- This portable generator is not for use with gasoline/ ethanol blends with over 15% ethanol. Do not use E85 fuel.
- 3,600 RPM
- Mobility Kit Not Available
- If you are using a generator above sea level, the generator may not function properly because of air flow getting through the mixer
- High Altitude Use: This generator is not recommended for high altitude use above 3,000 feet.

## AC Output

Rated Voltage (V)	120
Rated Watts (W)	1400
Rated Frequency (Hz)	60
Phase	Single

## DC Output

Voltage (V)	12
Circuit Breaker Amperage (A)	8

## Engine

Engine Type	4-stroke single cylinder with forced air cooling system
Ignition System	Non-contact transistor (T.C.I.)
Starting System	Recoil

# TABLE OF CONTENTS

RECOGNIZE SAFETY SYMBOLS, WORDS AND LABELS.....	4
PACKAGE CONTENTS	
PACKAGE CONTENTS .....	9
COMPONENTS .....	10
PREPARING THE GENERATOR FOR USE .....	11
Using This Generator For The First Time.....	11
Step 1 – Add Oil .....	11
Step 2 – Add Gasoline .....	12
Step 3 – Ground The Generator.....	13
Subsequent Use Of This Generator.....	13
Step 1 – Verify Oil Level .....	13
Step 2 – Verify Gas Level.....	13
Step 3 – Ground The Generator.....	14
STARTING THE GENERATOR .....	14
USING THE GENERATOR.....	15
AC Usage.....	15
DC Usage.....	16
STOPPING THE GENERATOR.....	17
MAINTENANCE/CARE .....	17
Recommended Maintenance Schedule .....	17
Cleaning The Generator.....	17
Spark Arrestor .....	17
Checking The Oil Level .....	18
Changing/Adding Oil .....	18
Air Filter Maintenance .....	19
Changing Fuel Line .....	19
Spark Plug Maintenance .....	19
Emptying The Fuel Tank .....	19
STORAGE/TRANSPORT PROCEDURES .....	20
TROUBLESHOOTING .....	21
PARTS DIAGRAM .....	22
WIRE DIAGRAM .....	27
EMISSION CONTROL SYSTEM WARRANTY.....	28

# RECOGNIZE SAFETY SYMBOLS, WORDS AND LABELS

## What You Need to Know About Safety Instructions

Warning and Important Safety Instructions appearing in this manual are not meant to cover all possible conditions and situations that may occur. Common sense, caution and care must be exercised when operating or cleaning tools and equipment.

Always contact your dealer, distributor, service agent or manufacturer about problems or conditions you do not understand.



This is the safety alert symbol. It is used to alert you to potential personal injury hazards. Obey all safety messages that follow this symbol to avoid possible injury or death.



DANGER indicates an imminently hazardous situation which, if not avoided, will result in death or serious injury.



WARNING indicates a potentially hazardous situation which, if not avoided, could result in death or serious injury.



CAUTION indicates a potentially hazardous situation which, if not avoided, may result in minor or moderate injury.



CAUTION used without the safety alert symbol indicates a potentially hazardous situation which, if not avoided, may result in property damage.

## 2 YEAR LIMITED EMISSION-RELATED WARRANTY

THIS ENGINE MEETS U.S. EPA EMISSION STANDARDS UNDER 40 CFR 1054.625. The emission-related limited warranty is valid for two (2) years. Keep the purchase receipt and mail in the product registration card for proof of purchase. Buffalo Corp limits emission-related warranty repairs to authorized service centers for owners located within 100 miles of an authorized service center. For owners located more than 100 miles from an authorized service center, Buffalo Corp will, in its sole discretion, either pay for shipping costs to and from an authorized service center, provide for a service technician to come to the owner to make the warranty repair, or pay for the repair to be made at a local non-authorized service center. The provisions of this paragraph apply only for the contiguous states, excluding the states with high-altitude areas identified in 40 CFR part 1068, Appendix III.

To exercise this warranty, DO NOT RETURN TO RETAILER. Instead, call Customer Service toll free at 1-866-460-9436 (email address [info@buffalotools.com](mailto:info@buffalotools.com)) and you will be instructed on where to take the engine for warranty service. Take the generator and proof of purchase (your receipt) to the repair facility recommended by the Customer Service Representative. The warranty does not extend to generators damaged or affected by fuel contamination, accidents, neglect, misuse, unauthorized alterations, use in an application for which the product was not designed and any other modifications or abuse.

## 1 YEAR LIMITED WARRANTY (30 Day Limited Warranty for Commercial and Rental Purpose)

Generators are warranted to be free from defects in materials and workmanship for a period of 1 YEAR from date of original purchase. Buffalo Corp. is not liable for any indirect, incidental or consequential damages from the sale or use of this product. Any implied warranties are limited to 1 YEAR as stated, or as otherwise stated, in this written limited warranty. Some states do not allow the exclusion or limitation of incidental or consequential damages. Some states do not allow limitation on the length of an implied warranty. Buffalo Corp will repair or replace, at its discretion, any part that is proven to be defective in materials or workmanship under normal use during the 1 YEAR warranty period. Warranty repairs or replacements will be made without charge for parts or labor. Parts replaced during warranty repairs will be considered as part of the original product and will have the same warranty period as the original product. This warranty gives you specific legal rights, and you may have other rights that vary state to state.

### Notice Regarding Emissions:

Engines certified to comply with U.S. EPA emission regulations for SORE (Small Off Road Equipment) are certified to operate on regular unleaded gasoline and may include the following emission control systems: Three-Way Catalyst (TWC) (if equipped), and Engine Modifications (EM).

### Legal Requirements:

Federal and/or State Occupational Safety and Health Administration (OSHA) regulations, local codes, and/or ordinances may apply to the intended use of this generator. Consult a qualified electrician, electrical inspector, and/or the local agency having jurisdiction. Some areas require generators to be registered with local utility companies. Additional regulations may apply if this generator will be used at a construction site.

## IMPORTANT SAFETY INSTRUCTIONS – SAVE THESE INSTRUCTIONS

# STOP!

Before using this generator and if you have any questions regarding the hazard and safety notices listed in this manual and/or on this generator, call 1-866-460-9436, Monday - Friday, 8 AM - 4 PM Central Time.

### **WARNING**

**WARNING:** Do not connect this generator to a home or office electrical system. Connecting a generator to your electric utility company's power lines or to another power source could damage your generator and your appliances and could cause serious injury or even death to you or a utility worker who may be working on nearby power lines. Plug your appliances directly into the generator, do not plug the generator into any electric outlet in your home. Doing so could create a connection to the utility company power lines. You are responsible for ensuring that your generator's electricity does not feed back into the electric utility power lines.

### **WARNING**

**WARNING:** Do not use this generator to provide power for emergency medical equipment or life support devices.

### **DANGER**

**Carbon Monoxide Gas:** When in operation, the exhaust from this generator contains poisonous carbon monoxide gas. Carbon monoxide gas is both odorless and colorless AND may be present even if you do not see or smell gas. Breathing this poison gas can lead to headaches, dizziness, drowsiness, loss of consciousness and eventually death. ALWAYS use a battery-powered or battery-backup CO alarm in the home.

### **WARNING**

**WARNING:** USE THIS GENERATOR ONLY OUTDOORS IN NON-CONFINED AREAS. DO NOT SECURE THE GENERATOR WITH A CHAIN OR ROPE, AS THIS WILL MAKE IT DIFFICULT TO MOVE IN AN EMERGENCY.

- Keep at least several feet of clearance on all sides to allow proper ventilation for this generator.

### **WARNING**

**WARNING:** This portable generator is not for use with gasoline/ ethanol blends with over 15% ethanol.

### **CAUTION**

**Usage:** This generator is not intended to power sensitive electronic equipment such as TVs, DVD players, stereos, desktop computers or laptop computers without the use of an appropriate line conditioner and/or surge protector (both not included). Sensitive electronic equipment should be operated on approved inverter type generators or pure sine wave generators. For additional information consult the devices operation manual or call customer service at 1-866-460-9436 Monday - Friday, 8 AM - 4 PM Central Time.

### **WARNING**

**Usage:** Avoid the use of extension cords if possible. If you choose to use them, be sure they are sized adequately to handle the flow of electricity. An undersized cord can overheat, short out and cause a fire. Recommend that use high quality, UL-rated, well-insulated grounded extension cords that are intended for outdoors use.

## **⚠ DANGER**

**Powerful Voltage:** This generator produces powerful voltage, which can result in electrocution.

- ALWAYS ground this generator before using it. (See “Ground the Generator” section in this manual).
- Only electrical devices should be plugged into this generator, either directly or with an extension cord. NEVER connect a building electrical system to this generator without a qualified electrician. **Doing so voids your warranty.** Such connections must isolate generator power from utility power and comply with local electrical laws and codes. Failure to comply can create a back feed into utility lines creating an electrocution hazard, which may result in serious injury or death to utility workers. Such a back feed may cause this generator to explode, burn and create fires when utility power is restored.
- Use a ground fault circuit interrupter (GFCI) in highly conductive areas such as metal decking or steel work. GFCIs are available in-line with some extension cords.
- Keep generator dry and operate with dry hands. Do not use this generator in wet conditions (rain, snow, active sprinkler system, wet hands, etc.).
- Do not touch bare wires or outlets (receptacles).
- Do not allow children or non-qualified persons to operate this generator.

## **⚠ WARNING**

**Flammable Gasoline:** This generator may emit highly flammable and explosive gasoline vapors, which can cause severe burns or even death. A nearby open flame can lead to an explosion even if not directly in contact with gasoline.

- Do not operate this generator near open flame.
  - Do not smoke near this generator.
  - Always operate this generator on a firm, level surface.
- Gasoline is highly flammable and explosive. Handling fuel can result in serious injury or burns.**
- Always shut down this generator before refueling. Refuel in a well-ventilated area. Keep heat, sparks and flame away while refueling and away from the location where gasoline is stored. Never refuel indoors where gasoline fumes may reach flames and/or sparks.
  - Allow this generator to cool for at least 2 minutes before removing the fuel tank cap. Loosen the cap slowly to relieve pressure in the fuel tank. Avoid spilling fuel.
  - Do not fill the fuel tank above the upper limit line. Gasoline may expand during operation. Do not fill to the top of the tank.
  - Always check for spilled gasoline and immediately wipe it up before starting this generator.
  - Empty the fuel tank before storing or transporting this generator.
  - Always handle fuel outdoors.
  - Before transporting, turn the fuel valve to the “OFF” position and disconnect the spark plug.

## **⚠ DANGER**

**High Temperatures:** This generator produces heat when in operation. Temperatures near the exhaust can exceed 150 Degrees Fahrenheit (65 Degrees Celsius).

- Do not touch hot surfaces. Observe all warning placards on this generator denoting hot surfaces.
- Allow this generator to cool for several minutes after use before touching the engine, muffler or other areas that are hot during operation and before storing indoors.
- Hot exhaust may ignite some materials. Keep flammable materials away from this generator.
- Keep at least several feet of clearance on all sides of this generator during operation. Do not enclose this generator in any structure.

## **⚠ WARNING**

**Usage:** Consult a physician(s) before using this generator if using a pacemaker. Electromagnetic fields in close proximity to a heart pacemaker could cause a pacemaker to malfunction or fail. Caution is necessary when near the engine's recoil starter.

## **⚠ CAUTION**

**Usage:** Prolonged exposure to high noise levels can be hazardous to hearing. Always wear ANSI-approved hearing protection when operating or working around the generator when it is running.

## **⚠ CAUTION**

**Usage:** Misuse of this generator can damage it or shorten its life. Use this generator only for its intended purpose.

- Operate this generator only on a dry, level surface. Do not secure the generator with a chain or rope, which would prevent it from being moved in an emergency.
- Allow this generator to run for several minutes before connecting any electrical devices.
- Promptly turn off any malfunctioning devices and disconnect them.
- Do not operate an excessive number of electrical devices in excess of the wattage capacity of this generator.
- Do not turn on electrical devices until *after* they are connected to this generator.
- Turn off all connected electrical devices before stopping this generator.

## **⚠ WARNING**

THIS GENERATOR PRODUCES HEAT WHEN RUNNING. TEMPERATURES NEAR EXHAUST CAN EXCEED 150°F. (65° C) DO NOT TOUCH HOT SURFACES. PAY ATTENTION TO WARNING LABELS ON THE GENERATOR DENOTING HOT PARTS OF THE MACHINE. ALLOW GENERATOR TO COOL AFTER USE BEFORE TOUCHING ENGINE OR AREAS WHICH HEAT DURING USE.

## **⚠ WARNING**

EXHAUST CONTAINS POISONOUS CARBON MONOXIDE GAS THAT CAN BUILD UP TO DANGEROUS LEVELS IN CLOSED AREAS. BREATHING CARBON MONOXIDE CAN CAUSE UNCONSCIOUSNESS OR DEATH. Never run the generator in a closed or even partly closed area where people may be present.

## **⚠ WARNING**

THE GENERATOR IS A POTENTIAL SOURCE OF ELECTRICAL SHOCK IF NOT KEPT DRY. Do not expose the generator to moisture, rain or snow. Do not operate the generator with wet hands. READ OWNER'S MANUAL CAREFULLY BEFORE OPERATION.

## **⚠ DANGER**

IMPROPER CONNECTIONS TO A BUILDING CAN ALLOW ELECTRICAL CURRENT TO BACKFEED INTO UTILITY LINES, CREATING AN ELECTROCUTION HAZARD. Connections to a building must isolate generator power from utility power and comply with all applicable laws and electrical codes.

## **⚠ WARNING**

GASOLINE IS HIGHLY FLAMMABLE AND EXPLOSIVE. YOU COULD BE BURNED OR SERIOUSLY INJURED IF THE GASOLINE IS IGNITED. Before refueling, stop the engine and keep heat, sparks and flame away. Handle fuel only outdoors. Do not fill the fuel tank above the upper limit line. Wipe up spills immediately.

In addition to the previously described safety information, familiarize yourself with all safety and hazard placards on this generator.

**⚠ DANGER POISONOUS GAS**

Generator exhaust contains toxic carbon monoxide gas. Breathing exhaust can cause loss of consciousness and shortness of breath. NEVER operate generator in poorly ventilated areas.

**⚠ WARNING**

Risk of electric shock. Do not remove cover. No user serviceable parts inside. Refer servicing to qualified service personnel.

**⚠ WARNING! RISK OF ELECTRIC SHOCK**

**This generator produces high voltage.**  
 Always ground properly before use.  
 Do not connect to any building electrical system.  
 Never use in rainy or wet conditions.  
 Never touch bare wires or receptacles.  
 Never allow children or non-qualified person to operate.



**⚠ CAUTION! HOT EXHAUST**

**⚡ DO NOT TOUCH**

**⚠ CAUTION!  
 HIGH TEMPERATURE  
 DO NOT TOUCH**

**⚠ DANGER**

**Using a generator indoors CAN KILL YOU IN MINUTES.**  
 Generator exhaust contains carbon monoxide. This is a poison you cannot see or smell.

<b>NEVER use inside a home or garage, EVEN IF doors and windows are open.</b>	
<b>Only use OUTSIDE and far away from windows, doors, and vents.</b>	

**Avoid other generator hazards. READ MANUAL BEFORE USE.**

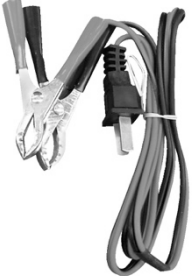
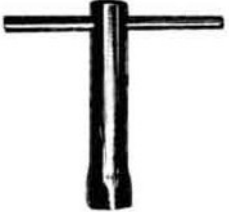



## PACKAGE CONTENTS

The following items are supplied with this Generator. Verify that all items are included.

# STOP!

If there are missing items, call 1-866-460-9436, Monday - Friday, 8 AM - 4 PM Central Time for customer service. **DO NOT RETURN THIS GENERATOR TO THE RETAILER.**

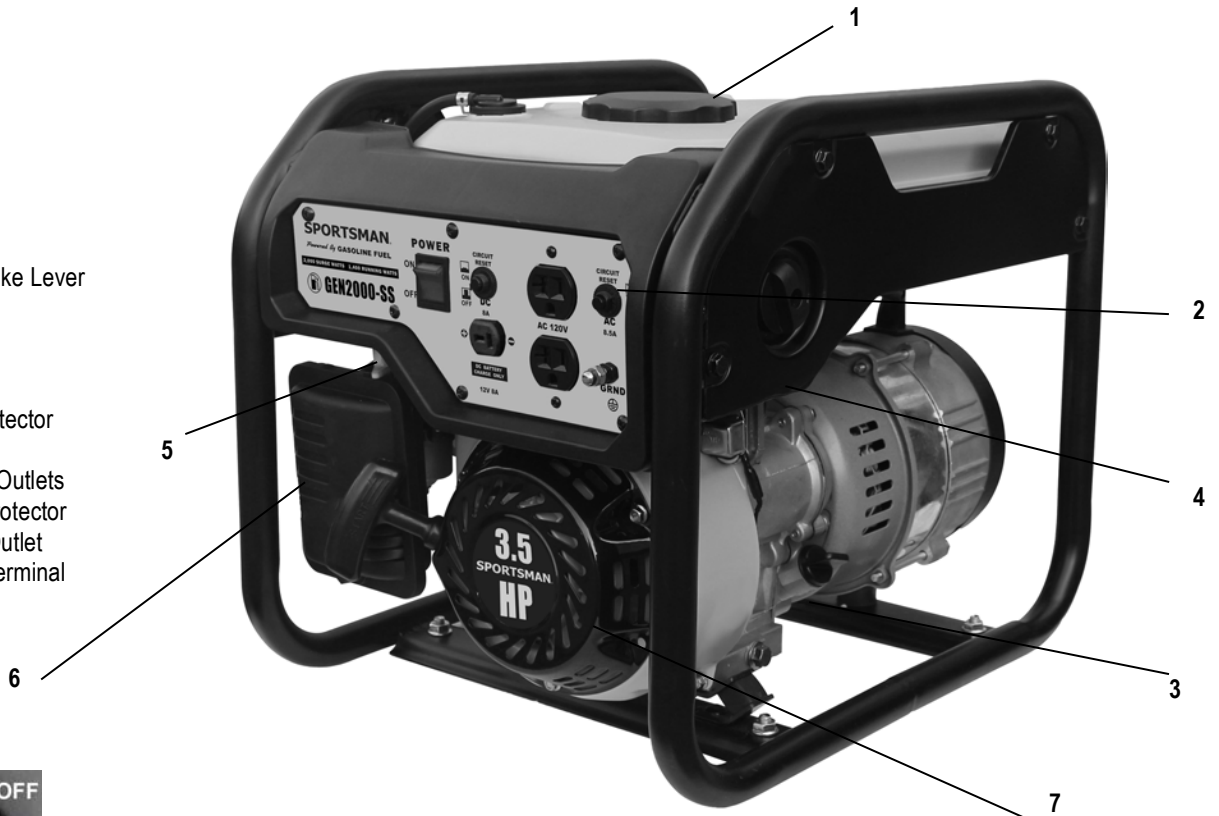
Item List:	
	DC connector wires for charging 12 Volt automotive-type batteries
	Spark plug wrench
	Funnel for adding Oil

# GENERATOR COMPONENTS

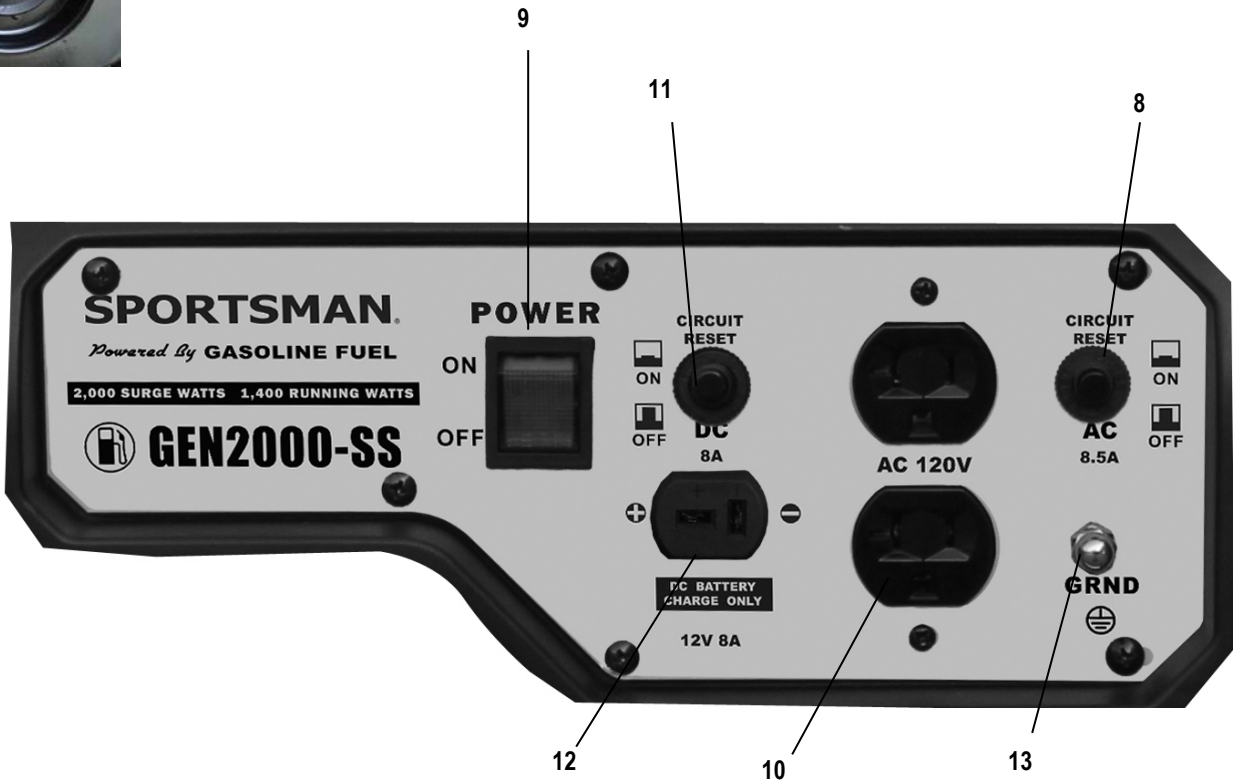
Observe the locations and functions of the various components and controls of this generator.

- 1) Fuel Tank Cap
- 2) Control Panel
- 3) Oil Access
- 4) Fuel Cock
- 5) Carburetor Choke Lever
- 6) Air Filter Cover
- 7) Recoil Starter

- 8) AC Circuit Protector
- 9) Engine Switch
- 10) 120 Volt AC Outlets
- 11) DC Circuit Protector
- 12) 12 Volt DC Outlet
- 13) Grounding Terminal



4) Fuel Cock



# PREPARING THE GENERATOR FOR USE

## Using this Generator for the First-Time

# STOP!

# CAUTION

The following section describes the required steps for preparing this generator for the first use. Failure to correctly perform these steps can damage this generator and/or shorten its life. If still unsure about how to perform any of these steps after reading this section, call 1-866-460-9436 Monday - Friday, 8 AM - 4 PM Central Time for customer service.

If this generator is being used for the first time, the following few steps are required to prepare it for operation:

### Step 1 - Add Oil

**THIS GENERATOR REQUIRES AT LEAST 12 OUNCES OF OIL (SAE10W-30) TO RUN.**

**ADD OIL UNTIL IT IS ALMOST OVERFLOWING. THE LOW-OIL SENSOR IS VERY SENSITIVE AND THE ENGINE WILL NOT RUN IF THE OIL IS LOW. START WITH 12 OUNCES, THEN ADD MORE UNTIL ALMOST OVERFLOWING.**

**TROUBLESHOOTING: IF THE GENERATOR WILL NOT START, DOUBLE CHECK THAT THE OIL LEVEL IS COMPLETELY FULL AND ALMOST OVERFLOWING.**

**This generator requires engine oil to function. Engine oil is a major factor affecting engine performance and service life.** When new from the package, this generator contains no oil in the engine crankcase. Add oil before operating this generator for the first time. When replenishing oil for subsequent use of this generator, always determine that this generator has the correct quantity of oil.

To add oil to the engine crankcase:

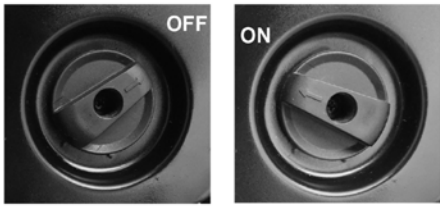
1. Confirm that this generator is on a level surface.
2. Unscrew the oil filler/dipstick cap from the engine as illustrated in Figure 1 below.
3. Using a funnel, add high detergent motor oil to fill the engine crankcase to the correct quantity. SAE10W-30 oil is recommended for general use. When the engine crankcase is full and almost overflowing, the oil level should reach the lower lip of the oil filling opening as shown in Figure 2.
4. Replace the oil filler/dipstick cap and close the oil access panel.



Figure 1 – Unscrew the Dipstick Cap



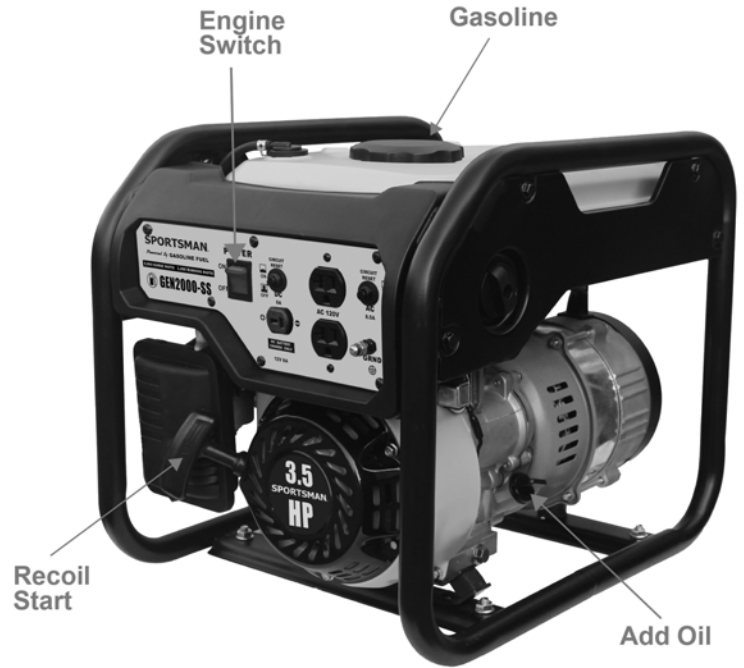
Figure 2 - Add Oil



Fuel Petcock (Figure B)



Closed/Choke (Figure C)



## Step 2 - Add Gasoline

### **WARNING**

**Gasoline and gasoline fumes are highly flammable and explosive. Handling fuel can result in serious injury or burns.**

- Do not fill the fuel tank near a heat, sparks or an open flame. Keep gasoline away from appliance pilot lights, barbecues, electric appliances, power tools, etc.
- Do not overfill the fuel tank. Always check for fuel spills and immediately wipe them up. Spilled fuel is a fire hazard and causes environmental damage.

#### To add gasoline:

To ensure that this generator runs smoothly, use only FRESH, UNLEADED GASOLINE WITH AN OCTANE RATING OF 87 OR HIGHER. Unleaded gasoline produces fewer engine and spark plug deposits and extends the life of the exhaust system. This portable generator is not for use with gasoline/ ethanol blends with over 15% ethanol. Do not use E85 fuel.

1. Confirm that this generator is on a level surface.
2. Unscrew fuel tank cap and set aside. (NOTE: The fuel tank cap may be tight and difficult to unscrew.)
3. Slowly add fresh, unleaded gasoline (with an octane rating 87 or higher) to the fuel tank. Be careful not to fill the fuel tank above the upper limit line. NOTE: Because gasoline can expand, do not fill the fuel tank to the very top.
4. Securely tighten the fuel tank cap and immediately wipe up any spilled gasoline with a dry cloth.

Fuel Tank Capacity (gallons)	1.5
Fuel Type	Fresh, Unleaded Gasoline Octane Rating 87 or Higher

#### IMPORTANT:

- Use only UNLEADED gasoline with an octane rating of 87 or higher.
- Never use a mixture of oil and gasoline.
- Never use old and/or contaminated gasoline.
- Avoid getting dirt and/or water in the fuel tank.
- Gasoline can age in the fuel tank and make it difficult to start this generator. Never store this generator for extended time with gasoline in the fuel tank.

### Step 3 - Ground the Generator

#### **⚠ WARNING**

Failure to properly ground this generator can result in electrocution.

Ground this generator by tightening the grounding nut against a grounding wire as illustrated in Figure 3. A No. 12 AWG (American Wire Gauge) stranded copper wire is generally an acceptable grounding wire. The other end of this grounding wire should be connected to a copper or brass grounding rod that is driven into the earth.

Grounding codes can vary by location. Contact a local electrician for information on grounding regulations for your area.

**Figure 3**  
The Grounding Terminal is located on the front of the generator, to the right of the DC Output socket.



### Subsequent Use of this Generator

For subsequent uses of this generator after the first use, certain steps still must be completed to prepare it for operation.

**IMPORTANT: Be familiar with the procedures described in the previous section titled “Using the Generator for the First Time” of this manual. If not, review this section now.**

#### Step 1 - Verify Oil Level

It is important to check the oil level in the engine crankcase before each use to ensure that there is sufficient quantity.

1. Verify that this generator is on a level surface.
2. Unscrew the oil filler/dipstick cap from the engine.
3. With a dry cloth, wipe the oil off of the dipstick that is located on the inside of the cap.
4. Fully insert the dipstick without screwing the filler/dipstick cap and then remove again. There should be oil on the dipstick. If there is no oil on the dipstick, or oil is visible only at the very end of the dipstick, add oil until the engine crankcase is filled. (See “Changing/Adding Oil” in the “Maintenance/Care” section of this manual).
5. Confirm that the oil filler/dipstick cap is properly screwed in place when finished verifying the oil level.

#### Step 2 - Verify Gas Fuel Level

Before starting this generator, verify that there is sufficient gasoline in the fuel tank. If necessary, add fresh unleaded gasoline with an octane rating of 87 or higher according to “Step 2 - Add Gasoline” of the “Using this Generator for the First Time” section of this manual.

<b>Fuel Tank Capacity (gallons)</b>	1.5
<b>Fuel Type</b>	Fresh, Unleaded Gasoline Octane Rating 87 or Higher

#### **⚠ WARNING**

**Gasoline and gasoline fumes are highly flammable and explosive. Handling fuel can result in serious injury or burns.**

- Do not fill the fuel tank near a heat, sparks or an open flame. Keep gasoline away from appliance pilot lights, barbecues, electric appliances, power tools, etc.
- Always allow several minutes for the engine to cool before refueling.
- Do not overfill the fuel tank. Always check for fuel spills and immediately wipe them up. Spilled fuel is a fire hazard and causes environmental damage.

### IMPORTANT:

- Use only fresh UNLEADED gasoline with an octane rating of 87 or higher.
- Never use old and/or contaminated gasoline.
- Never use a mixture of oil and gasoline.
- Avoid getting dirt and/or water in the fuel tank.
- Never store generator for extended time with gasoline in the fuel tank.

### Step 3 - Ground the Generator

#### **⚠ WARNING**

Failure to properly ground this generator can result in electrocution.

Ground this generator by tightening the grounding nut against a grounding wire as previously illustrated in Figure 3. A generally acceptable grounding wire is a No. 12 AWG (American Wire Gauge) stranded copper wire. The other end of this grounding wire should be connected to a copper or brass grounding rod that is driven into the earth.

Grounding codes can vary by location. Contact a local electrician for information on grounding regulations for your area.

## STARTING THE GENERATOR

# STOP!

Before starting this generator, confirm that all the steps in the section titled, "Preparing the Generator for Use," of this manual have been correctly completed. If unsure about how to perform any of these steps, call 1-866-460-9436, Monday - Friday, 8 AM - 4 PM Central Time for customer service.

#### **⚠ CAUTION**

Disconnect all electrical loads from this generator before attempting to start.

To start this generator:

1. Confirm that there are no electrical devices connected to this generator. Connected devices may increase the difficulty in starting the engine.
2. Confirm that this generator is properly grounded. (See "Ground the Generator" section of this manual.)
3. Turn the fuel petcock to the "on" position.
4. Move the choke lever to the "Closed/Choke" position.
5. Set the engine switch to the "on" position.
6. Slowly pull on the recoil starter handle, shown in Figure 4, until a slight resistance is felt. Then pull briskly to start the engine. Gently return the cord into the generator to avoid damage to the starter or housing. Never allow the cord to snap back.
7. If the engine fails to start, repeat step 6. NOTE: After repeated attempts to start the engine, consult the troubleshooting guide before attempting again. If problems persist, call 1-866-460-9436, Monday - Friday, 8 AM - 4 PM Central Time.
8. Once the engine has started, GRADUALLY move the choke lever to the "Open/Run" position until the engine levels off. Then let the engine run approximately 5 minutes BEFORE adding appliances or tools.

### Fuel Cock

The fuel cock is located between the fuel tank and carburetor. When the fuel cock is in the ON position, fuel is allowed to flow from the fuel tank to the carburetor. Be sure to return the fuel cock to the OFF position after stopping the engine.

### Choke Rod

The choke is used to provide an enriched fuel mixture when starting a cold engine. It can be opened and closed by operating the choke rod manually. Pull the rod out toward CLOSED to enrich the mixture for cold starting

**Figure 4**  
The Recoil Start is located on the front of the generator.



## USING THE GENERATOR

### **⚠ WARNING**

- USE THIS GENERATOR ONLY OUTDOORS IN NON-CONFINED AREAS. DO NOT SECURE THE GENERATOR WITH A CHAIN OR ROPE, AS THIS WILL MAKE IT DIFFICULT TO MOVE IN AN EMERGENCY.
- Keep at least several feet of clearance on all sides to allow proper ventilation for this generator.

After the engine has been running for several minutes, electrical devices may be connected to this generator.

### AC Usage

Electrical devices running on AC current may be connected according to their wattage requirements.

<b>Rated (Running) Wattage</b>	1400
<b>Surge Wattage</b>	2000

The *rated (running) wattage* corresponds to the maximum wattage a generator can output on a continuous basis.

The *surge wattage* corresponds to the maximum amount of power a generator can output for a short time. Many electrical devices, such as a refrigerator, require short bursts of extra power for starting and stopping fan motors, etc., in addition to their listed rated wattage. Motorized devices typically require more than their rated wattage for startup. The surge wattage ability of a generator allows for this extra power requirement.

The total running wattage requirement of the electrical devices connected to a generator should not exceed the rated wattage of the generator itself. To calculate the total wattage requirement of the electrical devices to be connected, look up the rated (running) wattage of each device and add these numbers together to find the total wattage that all of the devices together will draw from the generator. If the total wattage of the selected devices exceeds the rated wattage of the generator, DO NOT connect all of the devices. Select a combination of the electrical devices that will have a total wattage less than or equal to the rated wattage for the generator.

### **⚠ CAUTION**

**This generator can run at its surge wattage capacity for only a short time. Connect electrical devices requiring a rated (running) wattage equal to or less than the rated wattage of this generator. Never connect devices requiring a rated wattage equal to the surge wattage of a generator.**

A device's rated (running) wattage should be listed somewhere on the device itself and/or in its manual. If the wattage specification for a device is not available, the wattage can be calculated by multiplying the Voltage requirement (120) by the Amperage drawn.

Watts = Volts x Amperes

Or, the wattage required by a device can be estimated by using the following chart. The chart provides only estimates and it is better to know the exact wattage of each electrical device to be powered by this generator.

Electrical Device	Rated (Running) Watts	Additional Surge Watts
air compressor (1 - 1/2 HP)	2500	2500
airless sprayer (1/3 HP)	600	1200
coffee maker	1500	0
computer w/17 inch monitor	800	0
deep freezer	500	500
electric drill (1/2 HP)	1000	1000
furnace fan blower (1/2 HP)	800	1300
hot plate	2500	0
microwave oven (1000 watt)	1000	0
quartz halogen work light	1000	0
refrigerator/freezer (18 Cu. Ft.)	800	1600
saw - circular (7 1/4 inch)	1500	1500
stereo receiver	450	0
electric stove - single element	1500	0
sump pump	800	1200
television (27 inch color)	500	0
well water pump (1/3 HP)	1000	2000
window air conditioner (10000 BTU)	1200	1800
window fan	300	600

### **⚠ CAUTION**

**Connect only electrical devices that are in good working order. Faulty devices or power cords present the risk of electrical shock. Immediately turn off and disconnect any device that commences to operate abnormally, sluggish or abruptly stops. Determine if the problem was the device or the rated load capacity of this generator has been exceeded.**

**NOTE:** Plug appliances into the correct outlet. Connect standard 120 Volt, single phase, 60 Hz loads to the 120 Volt outlet. Connect 12 Volt, DC loads to the 12 Volt outlet.

**⚠ CAUTION**

Even though this generator has an overall rated wattage of 2000, do not attempt to draw more than 1400 Watts from the 120 Volt outlet. Draws higher than 1400 Watts will damage this generator and void the warranty.

**NOTE:** While this generator is running, power is available from either the standard 120 Volt outlet or the 12 Volt DC outlet. Both 120 Volts and 12 Volts can be simultaneously drawn from this generator.

Turn on the connected electrical devices beginning with the device with the highest rated wattage requirement and then each additional device with the next lower rated wattage requirement.

**⚠ CAUTION**

Do not connect 50Hz or 3-phase loads to this generator.

**DC Usage**

**⚠ CAUTION**

- The DC outlet is for charging 12 Volt battery, up to 8 Amps.
- NEVER attempt to jumpstart a car with this generator.

**⚠ DANGER**

Do not secure the generator with a chain or rope, which would prevent it from being moved in an emergency.

**To Plug Items Into the Generator**

1. Allow the engine to run for several minutes after it has been started.
2. Confirm that the electrical device is switched off prior to plugging it into this generator.
3. Turn on the connected electrical devices beginning with the device with the highest rated wattage requirement and then each additional device with the next lower rated wattage requirement.

**SOME NOTES ABOUT POWER CORDS**

Long or thin cords can require more wattage from a generator to power an electrical device. Figure 6 shows the recommended cords according to the power requirement of the electrical device. When using cords that exceed these specifications, allow for the electrical device to have a slightly higher rated wattage requirement. Recommend that you use high quality, UL-rated, well-insulated grounded extension cords that are intended for outdoor use.

Device Requirements			Max. Cord Length (ft) by Wire Gauge				
Amps	Watts (120V)	Watts (240V)	#8 wire	#10 wire	#12 wire	#14 wire	#16 wire
2.5	300	600	NR	1000	600	375	250
5	600	1200	NR	500	300	200	125
7.5	900	1800	NR	350	200	125	100
10	1200	2400	NR	250	150	100	50
15	1800	3600	NR	150	100	65	NR
20	2400	4800	175	125	75	50	NR
25	3000	6000	150	100	60	NR	NR
30	3600	7200	125	65	NR	NR	NR
40	4800	9600	90	NR	NR	NR	NR

**Figure 6 - Maximum Extension Cord Lengths by Power Requirement**



## STOPPING THE GENERATOR

To stop this generator:

1. Turn off all connected electrical devices and then unplug them.
2. Allow this generator to run for several more minutes with no electrical devices connected to help stabilize the temperature of this generator.
3. Turn the fuel valve to the "OFF" position.
4. Set the engine power switch to the "OFF" position.

### **⚠ WARNING**

Allow this generator to cool down before touching areas that become hot during operation.

### **⚠ CAUTION**

Allowing gasoline to sit in this generator's fuel tank for extended time without use can increase the difficulty in starting this generator in the future. Never store this generator for extended time with gasoline in the fuel tank.

## MAINTENANCE/CARE

Proper routine maintenance of this generator is essential for safe, economical, and trouble-free operation. It will help prolong the life of this generator as well as help reduce air pollution. Perform maintenance checks and procedures according to the schedule in Figure 7.

### **⚠ CAUTION**

Never perform maintenance procedures while this generator is running. Allow this generator to cool before commencing any maintenance procedures. Keep heat, sparks and flame away.

### **⚠ WARNING**

Improper maintenance and/or failure to correct any problems prior to operating this generator can cause a malfunction which could cause death or serious injury. Always follow the inspection and maintenance recommendations and schedules in this manual.

### Recommended Maintenance Schedule

		Each Use	Every Month or Each 20 Hrs	Every 3 Months or Each 50 Hrs	Every 6 Months or Each 100 Hrs	Every Year or Each 300 Hrs
Engine Oil	Check Level	X				
	Replace		X (first use)		X	
Air Filter	Check	X				
	Clean			X		
Spark Plug	Check/Clean				X	
Fuel Tank	Verify Gas Level	X				
	Clean					X

Figure 7 - Recommended maintenance schedule

### Cleaning the Generator

Always try to use this generator in a cool dry place. If this generator becomes dirty, the exterior can be cleaned with a damp cloth, soft brush, vacuum and/or pressurized air.

Never clean this generator with a bucket of water and/or a hose as water can get inside and cause a short circuit or corrosion. Never use gasoline to clean parts of this generator.

### Spark Arrester

1. Allow the engine to cool completely before servicing the spark arrester.
2. Remove the screws holding the cover plate which retains the end of the spark arrester to the muffler.
3. Remove the spark arrester screen.
4. Carefully remove the carbon deposits from the spark arrester screen with a wire brush.
5. Replace the spark arrester if it is damaged.
6. Position the spark arrester in the muffler and attach with the screws.

## Checking the Oil Level

It is important to check the oil level in the engine crankcase before each use to ensure that there is a sufficient quantity.

To check the oil level:

1. Verify that this generator is shut down and on a level surface.
2. Unscrew the oil filler/dipstick cap from the engine.
3. With a dry cloth, wipe the oil off of the dipstick that is located on the inside of the cap.
4. Insert the dipstick as if replacing the cap and then remove again. There should be oil on the dipstick. If there is no oil on the dipstick, or oil is visible only at the very end of the dipstick, add oil until the engine crankcase is filled.
5. Confirm that the oil filler/dipstick cap is properly in place when finished verifying the oil level.

## Changing/Adding Oil

The oil level in this generator should be checked before each use. When the oil level is low, add oil until the level is sufficient to operate this generator. (See Figure 8B)

The oil should be changed after the first 20 hours of operation. Subsequently, the oil should be changed every 6 months, or for every 100 hours of use, or when the oil has become contaminated with water and/or dirt.

To drain the oil from this generator:

1. Place a bucket underneath this generator to catch oil as it drains.
2. Unscrew the oil drain plug located on the crankcase underneath the oil filler/dipstick cap using 10 mm hex wrench. Figure 8A
3. Allow all the oil to drain from this generator.
4. Replace the oil drain plug and tighten using 10 mm hex wrench.

**NOTE: Never dispose of used motor oil in the trash, down a drain or on the ground. Put oil in a sealed container and contact your local recycling center or auto garage to arrange oil disposal.**

**THIS GENERATOR REQUIRES AT LEAST 12 OUNCES OF OIL (SAE10W-30) TO RUN.**

**ADD OIL UNTIL IT IS ALMOST OVERFLOWING. THE LOW-OIL SENSOR IS VERY SENSITIVE AND THE ENGINE WILL NOT RUN IF THE OIL IS LOW. START WITH 12 OUNCES, THEN ADD MORE UNTIL ALMOST OVERFLOWING.**

**TROUBLESHOOTING: IF THE GENERATOR WILL NOT START, DOUBLE CHECK THAT THE OIL LEVEL IS COMPLETELY FULL AND ALMOST OVERFLOWING.**



Figure 8A – Use 10mm hex wrench to REMOVE bolt and drain oil



Figure 8B – Adding oil

## Air Filter Maintenance

Routine maintenance of the air filter helps maintain proper airflow to the carburetor. Occasionally verify that the air filter is free of excessive dirt. The air filter will require more frequent cleaning when operating this generator in extremely dusty areas.

To clean the air filter, remove the foam filter element from the generator and wash it in warm water and household dish detergent. Thoroughly rinse and dry. Pour a small amount of motor oil onto the filter, ring out ALL excess oil, and reinstall the foam filter element in the generator.

Unscrew the bolts, or unsnap the clips at the top and bottom of the air filter cover, located below the choke lever, to access the foam filter element.

## Spark Plug Maintenance

The spark plug is essential for proper engine operation. The spark plug should be intact, free of deposits, and properly gapped. A bad or incorrectly installed spark plug can cause engine damage. To inspect the spark plug:

1. Remove the spark plug by pulling on the spark plug cap.
2. Unscrew the spark plug from this generator by using the included spark plug wrench.
3. Visually inspect the spark plug. If it is cracked and/or chipped, discard and install a new spark plug. A E7RTC spark plug, such as NGKBP7HS is recommended.
4. Measure the spark plug electrode gap with a gauge. The gap should be 0.024-0.032 inch . (Figure 9.)
5. If re-using the spark plug, use a wire brush to clean any dirt from around the spark plug base and then re-gap the spark plug.
6. Screw the spark plug back into place on this generator by using the included spark plug wrench.
7. Replace the spark plug cap.

(0.024-0.032 in.)

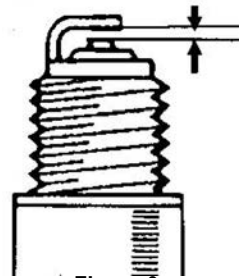


Figure 9

Measuring the spark plug gap

## Changing Fuel Line

Fuel line installation instruction (include the carburetor and the fuel tank ,etc. ) .

1. Connect clamp(Φ7.5) to the fuel hose.
2. Slide fuel hose onto connection until it touches the bottom.
3. Then secure with clamp.

## To store this generator for extended time, drain the gasoline from the carburetor AND fuel tank.

To drain gasoline from this generator:

1. Turn the fuel valve to the "off" position and let the engine run until it stops.
2. Place a receptacle underneath the generator to catch gasoline as it drains.
3. Unscrew the drain bolt of the carburetor.
4. Empty the fuel in the carburetor.
5. Unplug the fuel hose from the carburetor.
6. Turn the fuel valve to the "on" position. Empty the fuel in the tank.
7. Turn the fuel valve to the "off" position and replug the fuel hose to the carburetor.
8. Tighten the drain bolt of the carburetor.
9. Store the drained gasoline in a suitable place

To store this generator for extended time, the fuel needs to be drained from the carburetor. To drain the gasoline from the carburetor turn the fuel valve to the "off" position while the engine is running. The generator will shut down when all the gasoline in the carburetor has been used.

## STORAGE/TRANSPORT PROCEDURES

**⚠ CAUTION**

Do not store gasoline for more than 3 months.

**⚠ CAUTION**

Never place any type of storage cover on this generator while it is still hot.

When transporting or storing this generator for extended time:

- Allow generator to fully cool before moving it. A hot engine and exhaust system can burn you and ignite some materials.
- Empty the fuel tank. (See “Emptying the Fuel Tank” in the “Maintenance/Care” section.)
- Turn the fuel valve to the “off” position.
- Disconnect the spark plug.
- Do not obstruct any ventilation openings.
- Do not drop or strike this generator while moving it.
- Store this generator in a cool dry area, free of excessive dust.

<b>Storage Time</b>	<b>Recommended Storage Procedure</b> (which will help prevent difficult starts)
Less than 1 month	No storage procedure required.
1 to 2 months	Fill with fresh gasoline and add gasoline conditioner
2 months to 1 year	Empty the fuel tank. (See “Emptying the Fuel Tank” in the “Maintenance/Care” section.)
1 year or more	Empty the fuel tank. (See “Emptying the Fuel Tank” in the “Maintenance/Care” section.) Disconnect the spark plug.

## TROUBLESHOOTING

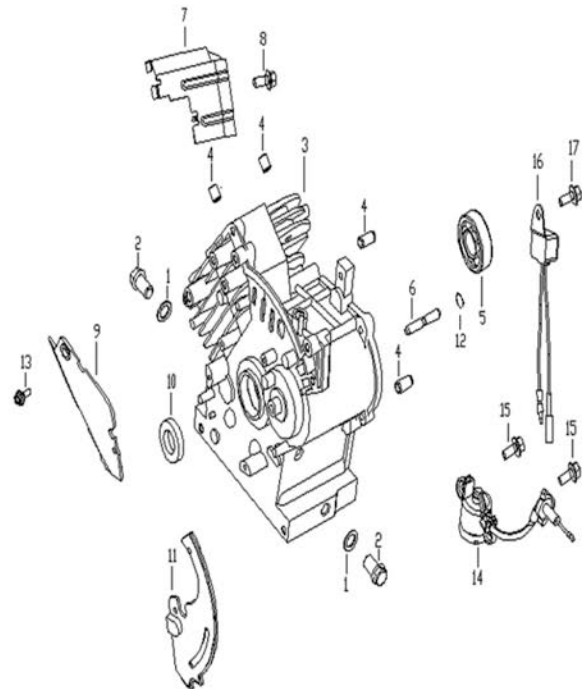
**IMPORTANT:** If trouble persists, call our customer help line at 1-866-460-9436, Monday - Friday, 8 AM - 4 PM Central Time.

Symptom	Cause	Solution
Engine will not start.	Engine switch is set to "off."	Set engine switch to "on."
	Fuel valve is turned to "closed."	Turn fuel valve to "open."
	Choke is set to "Open/Run".	Set the choke to "Closed/Choke"
	Engine is out of gasoline.	Add gasoline.
	Engine is filled with contaminated and/or old gasoline.	Drain gasoline from the engine and add new gasoline.
	Spark plug is dirty.	Clean spark plug.
	Spark plug boot is cracked.	Replace spark plug.
	Spark plug is broken.	Replace spark plug.
Engine will not start.	Oil is low.	The oil level should almost OVERFLOW. If it is not, add more oil.
	Spark plugs not sparking.	Verify that you have spark. Pull spark plug cap off spark plug. Take spark plug out using spark plug wrench. Put spark plug back into boot and hold it onto bare metal. Make sure the on/off switch is in the ON position. Pull the starter. You should see a spark.
Engine will not start.	Carburetor is gummed up.	If the generator has been sitting for a long time, it is possible that it is gummed up. Remove air box cover, then remove the air filter. Remove the two 10mm nuts that hold the carburetor. Lift up on the throttle linkage on the top of the carburetor. It should pop off. Pull the fuel line off. The carburetor will slide off. Turn the carburetor upside down and remove the 10mm bolt on the bottom of the bowl. Remove the pin that holds the float on. Pull the float up. Inspect the float needle, and make sure the orifice is not gummed up. Remove the rubber gasket, then clean the orifice if it is dirty. Use carb cleaner. Do not spray carb cleaner on the float needle or any rubber.
Engine will not start.	Gas is not getting to carburetor.	Make sure gas is getting to the carburetor. Remove the carburetor and turn the drain screw counter clockwise. Don't remove completely.
Engine will not start.	Two wires on the back of the switch may be disconnected.	Make sure two wires on the back of the switch are connected.
Engine runs but there is no electrical output.	Reset button is "off."	Push reset button to "on."
	Bad connecting wires/cables.	Try a different extension cord.
	Bad electrical device connected to generator.	Disconnect device, try connecting another device.
Generator starts but won't stay running	Generator is overloaded.	Reduce draw on generator to within this generator's rated wattage by reducing number of connected electrical devices.
	Choke is in "Closed/Choke" position, or gas is empty.	Make sure that after it is started, move the Choke to the "Open/Run" position. Make sure at least one inch of gas is in the tank.
Generator runs but does not support all connected electrical devices.	Short in one of the connected devices.	Disconnect any faulty or short-circuited electrical loads.
	Air filter is dirty.	Clean or replace air filter.

# PARTS DIAGRAM

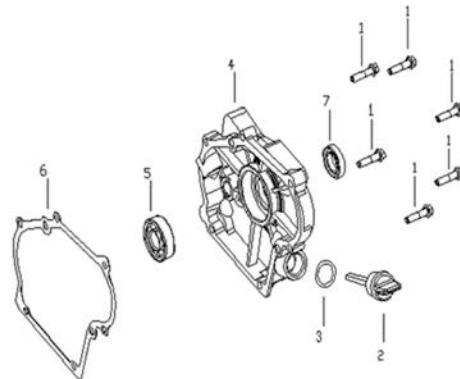
## CRANKCASE ASSY.

NO	PARTS NO.	DESCRIPTION	QTY
1	31070124001001	Spacer, Drain plug	2
2	31060124001000	Drain plug	2
3	21020118001000	Crankcase assy	1
4	31080116001000	Guide dowel	4
5	B12016020300	Bearing 6203	1
6	35040121001000	Pin	1
7	31090116001000	Clipboard	1
8	B01310601265	Bolt M6*12	1
9	31100116001000	Plate 1 diversion	1
10	21030116001000	Washer, Seal 17×30×6	1
11	31110116001000	Plate 2 diversion	1
12	31020124001000	Snap spring	1
13	B01330601065	Bolt M6*10	1
14	21040116001000	Oil Level Sensor	1
15	B01330601665	Bolt M6*16	2
16	21060127002000	Electronic Switch	1
17	B01330601265	Bolt M6*12	1



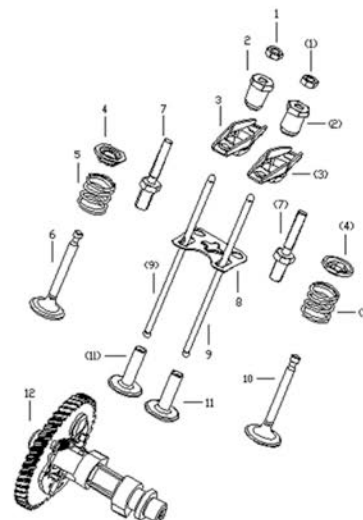
## CRANKCASE ASSY.

NO	PARTS NO.	DESCRIPTION	QTY
1	B01310602565	Bolt M6*25	6
2	31030116001000	Dipstick	1
3	31170116001000	Seal Spacer	1
4	31010115001000	Cover, Crankcase	1
5	B12016030300	Bearing 6303/P53	1
6	31020116001000	Gasket, Crankcase	1
7	21030116001000	Washer, Seal	1



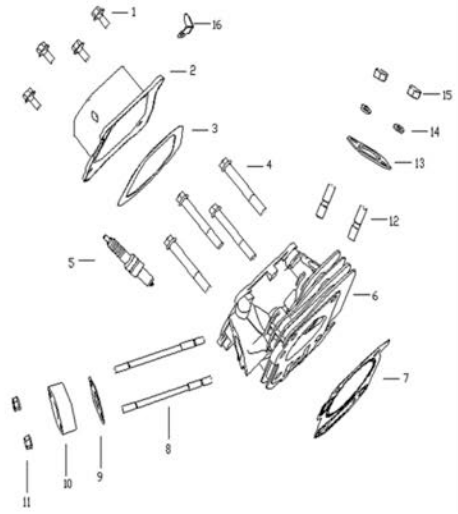
## VALVE ASSY.

NO	PARTS NO.	DESCRIPTION	QTY
1	33100124001000	Nut, Valve Clearance Adjustment	2
2	33050127002000	Buttonhead, Arm	2
3	33040118001000	Arm	2
4	33050116001000	Upper retainer, Door spring	2
5	33040116001000	Spring, valve	2
6	33030116001000	Valve, Exhaust	1
7	33050118001000	Adjusting Stud, Valve Clearance	2
8	23030118001000	Guide Plate, Connecting Stud	1
9	23020118001000	Rod, connecting	2
10	33020116001000	Valve, Intake	1
11	33030118001000	Stud, Connecting	2
12	23060116001001	Camshaft	1



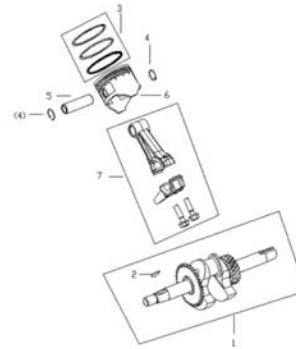
### CYLINDER HEAD ASSY.

NO	PARTS NO.	DESCRIPTION	QTY
1	B01310601465	Bolt M6*14	4
2	22040121001003	Cylinder head cover	1
3	32060121001000	Gasket, Cylinder head cover	1
4	B01330805565	Bolt M8*55	4
5	22050116001000	Spark plug	1
6	22020118001001	Cylinder head	1
7	32010118001000	Gasket, Cylinder head	1
8	32060116001000	Bolt, Intake pipe	2
9	32040116001000	Gasket, inlet pipe	2
10	32050116001000	Spacer, Heat insulating	1
11	B04280600025	Nut M6	2
12	32070121001000	Bolt, Exhaust pipe	2
13	32070116001000	Gasket, Exhaust pipe	1
14	B07000008045	Spring Washer Φ8	2
15	B04280800025	Nut M8	2
16	32080116001000	plate,head cover	1



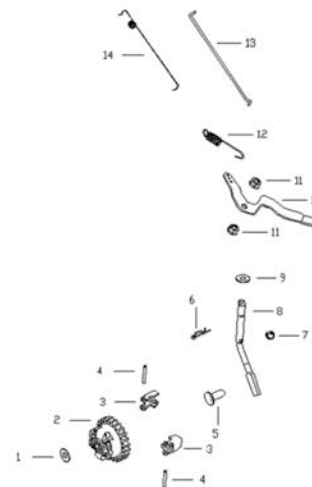
### CRANKSHAFT & PISTON CONNECTING ROD ASSY.

NO	PARTS NO.	DESCRIPTION	QTY
1	24020116001002	Crankshaft	1
2	34010116001000	key	1
3	24040118001001	Piston ring assy	1
4	34100116001000	Circlip, Pistion pin	2
5	34060117001000	Pin, Piston	1
6	34020118001001	Piston	1
7	24050116001000	Connecting rod assy	1



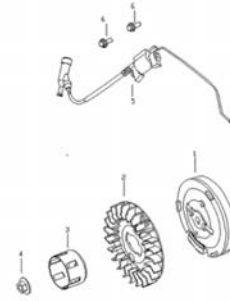
### CENTRIFUGAL ADJUSTMENT

NO	PARTS NO.	DESCRIPTION	QTY
1	35090121001000	Spacer 2	1
2	25020118001001	Adjustment, Centrifugal	1
3	35010118001000	Block, Centrifugal	2
4	35090116001000	Pin	2
5	35060127002000	Cover, Push rod	1
6	35020127002000	Circlip	1
7	B08100000611	Block circle Φ6	1
8	35020116001000	Fork	1
9	35130127002000	Spacer II	1
10	35010116001000	Governor pivot bracket	1
11	B04280600025	Nut M6	2
12	35030118001000	Spring 1, Tension	1
13	35040116001000	Rod, Tension	1
14	35050116001000	Spring 2, Tension	1



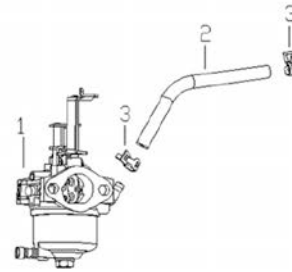
## IGNITION SYSTEM

NO	PARTS NO.	DESCRIPTION	QTY
1	28020116001000	Flying wheel	1
2	36020116001000	Fan wheel	1
3	36010115001000	Starter canister	1
4	34060119001020	Nut, Clamp	1
5	28040116001001	Ignition coil	1
6	B01330602065	Bolt M6*20	2



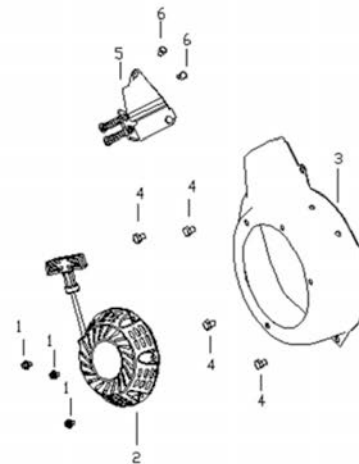
## CARBURETOR

NO	PARTS NO.	DESCRIPTION	QTY
1	27130118001000	Carburetor	1
2	37520121001001	Hose, fuel $\Phi 4.5 \times \Phi 8.5 \times 110$	1
3	37200121001000	FUEL PIPE CLIP	2



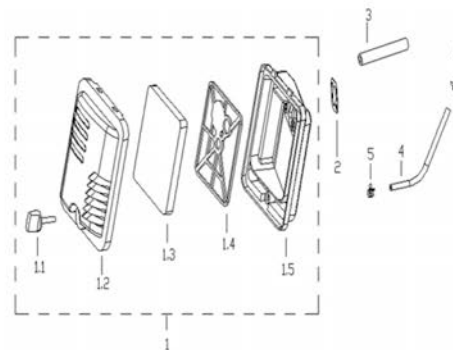
## RECOIL STARTER ASSY.

NO	PARTS NO.	DESCRIPTION	QTY
1	B01330600865	Bolt M6*8	3
2	26020116001090	Starter Assembly	1
3	36020115001000	Engine side cover	1
4	B01330601265	Bolt M6*12	4
5	26090116001000	speed adjustment base assy	1
6	B01310601065	Bolt M6*10	2



## AIR CLEANER

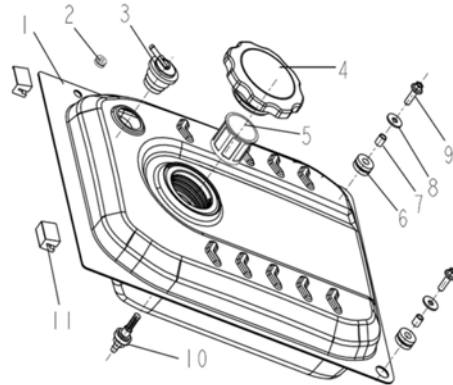
NO	PARTS NO.	DESCRIPTION	QTY
1	27060118001003	Air Filter Ass'y	1
1.1	27150118001002	fixed bolt,air filter	1
1.2	37030118001002	upper cover,air filter	1
1.3	27080118001002	filter element	1
1.4	37040118001002	filter element base	1
1.5	27070118001003	lower cover,air filter	1
2	37010116001000	Air cleaner gasket	1
3	27160118001000	Colloid pipe	1
4	37530121001000	Hose $\Phi 5 \times \Phi 8 \times 310$	1
5	38040121002000	FUEL PIPE CLIP $\Phi 8.5$	1
6	37060132018000	FUEL PIPE CLIP $\Phi 7$	1





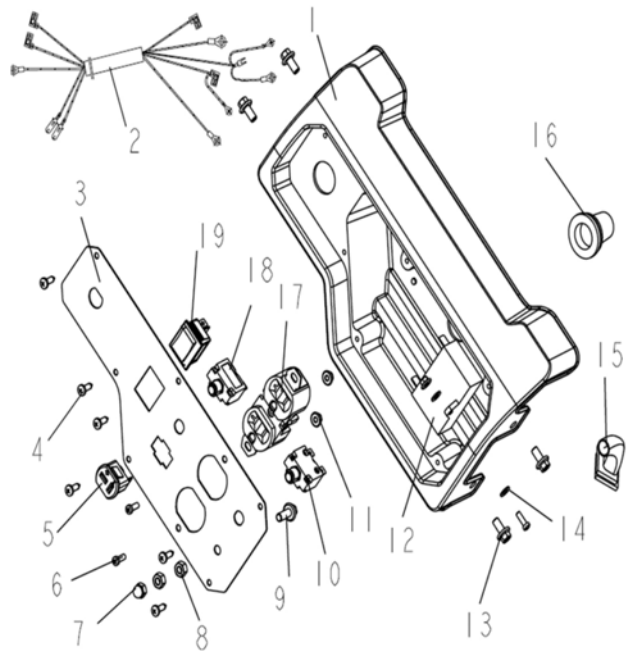
### FUEL TANK

NO.	PARTS NO.	DESCRIPTION	QTY.
1	210104115034E0	Fuel Tank Comp	1
2	36290121001000	Rubber Sleeve	1
3	21010412900001	Oil Spill Valve	1
4	21050412600000	Sump Cover Subassembly	1
5	20160422001000	Filtering Net	1
6	31010412600000	Fuel Tank Rubber	2
7	31020412600010	Fuel Tank Rubber Hose	2
8	B07020006047	Washer $\phi 6$	2
9	B01310602067	Bolt M6x20	2
10	27180121001000	Fuel Lid Assembly	1
11	31030412600000	Damper, Locating	2



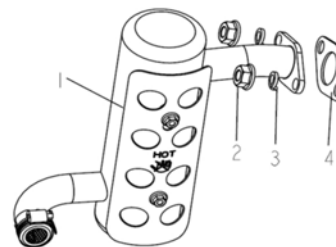
### CONTROL PANEL

NO.	PARTS NO.	DESCRIPTION	QTY.
1	32010411503080	Bottom Shell	1
2	22020411503000	Cable	1
3	32020411503120	Panel	1
4	B05210401007	Screw ST4x10	6
5	22060411500000	T- Socket	1
6	B02210401227	Screw M4x12	3
7	B04190600044	Nut M6	1
8	B04200600047	Nut M6	2
9	B01310601667	Bolt M6x16	1
10	B28421085010	AC Protector 8.5A	1
11	B04280400047	Nut M4	3
12	B29201235000	Capacitance 12Uf/350V	1
13	B01310601267	Bolt M6x12	4
14	B07021000145	Washer $\phi 4$	2
15	32020411200001	Sheath	1
16	32050416500000	Jacket	1
17	22070413200000	Standard Outlet	1
18	B28421080010	DC Protector 8A	1
19	22020411200010	Ignition Switch	1



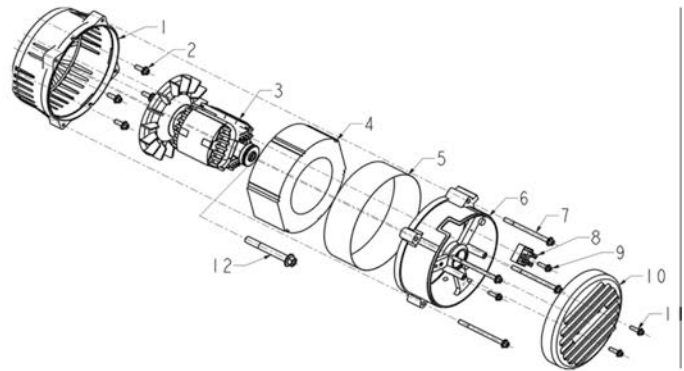
### MUFFLER ASSY.

NO.	PARTS NO.	DESCRIPTION	QTY.
1	25010411200002	Muffler	1
2	B04280800045	Nut M8	2
3	B07000008045	Spring Washer $\phi 8$	2
4	35010411200000	Muffler Gasket	1



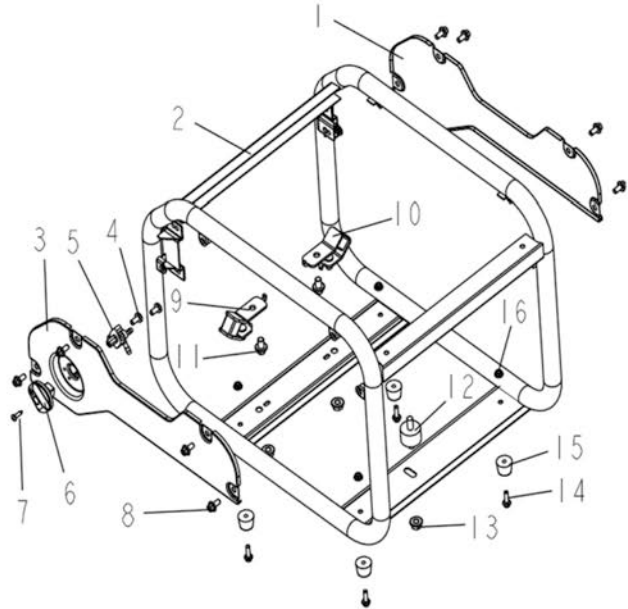
### GENERATOR ASSY.

NO.	PARTS NO.	DESCRIPTION	QTY.
1	33040411200450	Front End Cover	1
2	B01310801267	Bolt M8x12	4
3	20020411201000	Rotor Assy	1
4	20010411501000	Stator Assy	1
5	33030411200450	Alternator Cover	1
6	33020411200000	Motor Casing (End Cap)	1
7	B01310608566	Bolt M6x85	4
8	33040412300000	Rectifier KB2506	1
9	B01310501726	Bolt M5x17	1
10	33020412300120	Right Side Cover	1
11	B01310500826	Bolt M5x8	3
12	B01240816061	Bolt M8x160	1



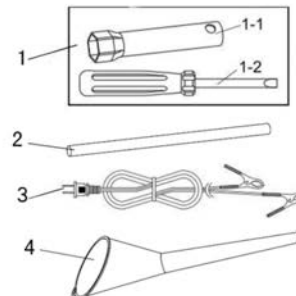
### FRAME ASSY.

NO.	PARTS NO.	DESCRIPTION	QTY.
1	36010411503120	Left Decorative	1
2	26010451502120	Frame Welding Components	1
3	26020411503120	Right Decorative Components	1
4	B02210601266	Bolt M6x12	2
5	21020411503000	Fuel Cock	1
6	34220422003800	Fuel Switch Handle	1
7	30040422001670	Screw(Black)	1
8	B01310601067	Bolt M6x10	8
9	36010411200000	Left Shockproof Mounting Feet ( soft )	1
10	36070411200000	Left Shockproof Mounting Feet ( hard )	1
11	B01310801267	Bolt M8x12	2
12	36020411200000	Right Shockproof Mounting Feet	1
13	B04280800047	Nut M8	3
14	B01310501726	Bolt M5x17	4
15	36020411503000	Damping Pad	4
16	B04170500046	Nut M5	4

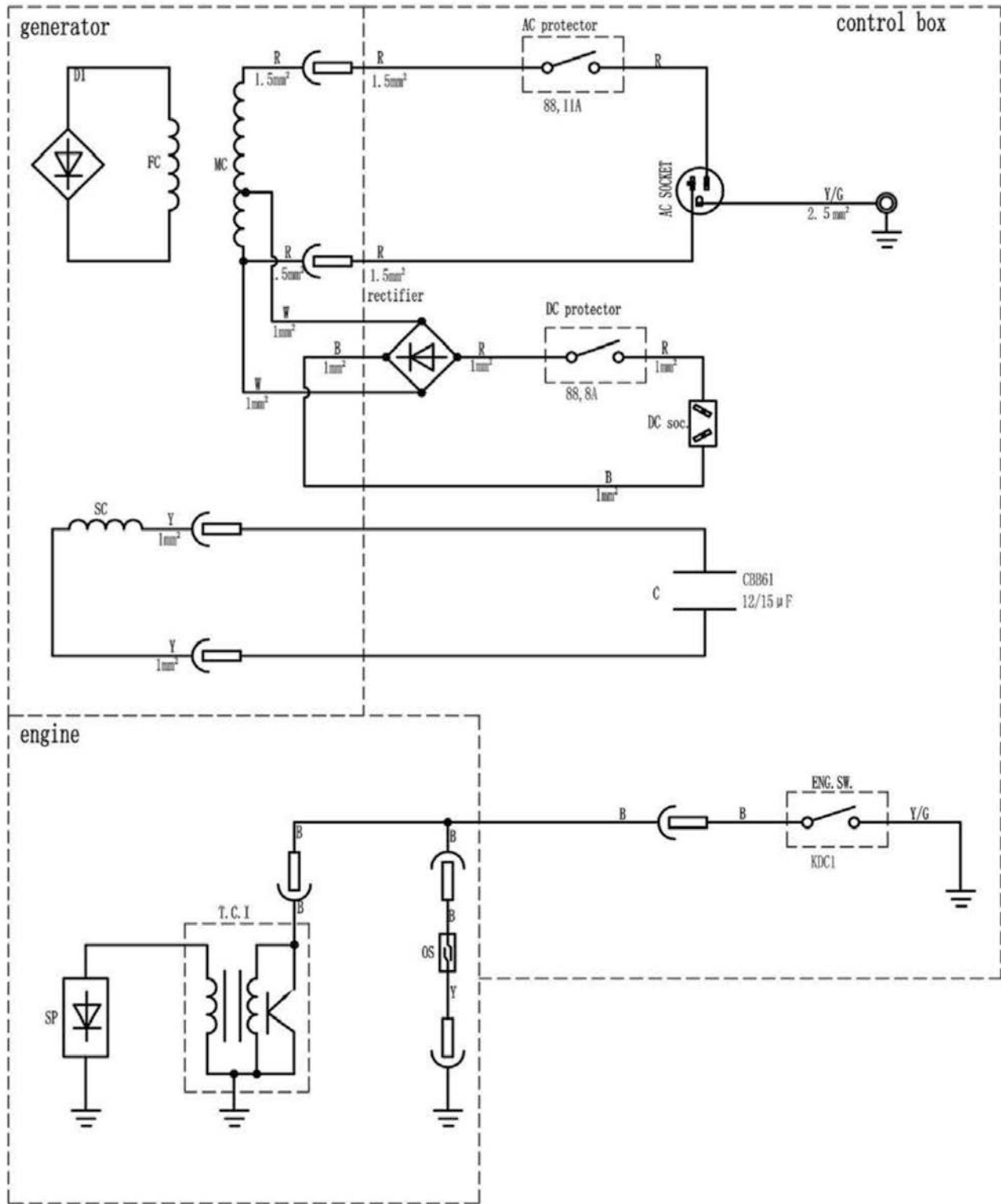


### ACCESSORY KIT

NO.	PARTS NO.	DESCRIPTION	QTY.
1	28010413200000	Tool Bag	1
2	38060411500020	Bar, Plug Wrench	1
3	20210042100001	T-type Plug Wire	1
4	38120411501000	Funnel	1



# WIRING DIAGRAM



# EMISSION CONTROL SYSTEM WARRANTY

## Your Warranty Rights and Obligations:

The California Air Resources Board, U.S. EPA and Buffalo Corp are pleased to explain the Emission Control System Warranty on your 2018 model year outdoor power equipment engine.

### California

In California, new spark-ignited small off-road equipment engines must be designed, built and equipped to meet the State's stringent anti-smog standards.

### Other States, U.S. Territories

In other areas of the United States, your engine must be designed, built and equipped to meet the U.S. EPA emission standards for spark-ignited engines at or below 19 kilowatts.

### All of the United States

Buffalo Corp must warrant the emission control system on your power equipment engine for the periods of time listed below provided there has been no abuse, neglect or improper maintenance of your power equipment engine. Where a warrantable condition exists, Buffalo Corp will repair your power equipment engine at no cost to you including diagnosis, parts and labor.

Your emission control system may include parts such as: carburetors or fuel injection system, ignition system, catalytic converters, fuel tanks, valves, filters, clamps, connectors, and other associated components. Also, included may be hoses, belts, connectors, sensors, and other emission-related assemblies.

### Manufacturer's Warranty Coverage:

The emission control system is warranted for two years. If any emissions-related part on your engine is defective, the part will be repaired or replaced by Buffalo Corp.

### Owner's Warranty Responsibility

As the power equipment engine owner, you are responsible for the performance of the required maintenance listed in your owner's manual. Buffalo Corp recommends that you retain all receipts covering maintenance on your power equipment engine, but Buffalo Corp cannot deny warranty solely for the lack of receipts or for your failure to ensure the performance of all scheduled maintenance.

As the power equipment engine owner, you should however be aware that Buffalo Corp may deny your warranty coverage if your power equipment engine or a part has failed due to abuse, neglect, improper maintenance or unapproved modifications.

You are responsible for presenting your power equipment engine to distribution center or service center authorized by Buffalo Corp as soon as the problem exists. The warranty repairs should be completed in a reasonable amount of time, not to exceed 30 days. If you have any questions regarding your warranty rights and responsibilities, you should contact a customer service representative at 1-866-460-9436 or email [info@buffalotools.com](mailto:info@buffalotools.com).

### DEFECTS Warranty Coverage:

Adopted by the Air Resources Board, Buffalo Corp warrants to the ultimate purchaser and each subsequent purchaser that the small off-road engine (SORE) (1) has been designed, built and equipped so as to conform with all applicable regulation; and (2) is free from defects in materials and workmanship that cause the failure of a warranted part to conform with those regulations as may be applicable to the terms and conditions stated below.

(a) The warranty period begins on the date the engines is delivered to an ultimate purchaser or first placed into service. The warranty period is two years.

(b) Subject to certain conditions and exclusions as stated below, the warranty on emissions related parts is as follows:

(1) Any warranted part that is not scheduled for replacement as required maintenance in your Owner's Manual is warranted for the warranty period stated above. If the part fails during the period of warranty coverage, the part will be repaired or replaced by Buffalo Corp according to Subsection (4) below. Any such part repaired or replaced under warranty will be warranted for the remainder of the period.

(2) Any warranty part that is scheduled only for regular inspection in your Owner's Manual is warranted for warranty period stated above. Any such part repaired or replaced under warranty will be warranted for the remaining warranty period.

- (3) Any warranted part that is scheduled for replacement as required maintenance in your Owner's Manual is warranted for the period of time before the first scheduled replacement date for that part. If the part fails before the first scheduled replacement, the part will be repaired or replaced by Buffalo Corp. according to the Subject (4) below. Any such part repaired or replaced under warranty will be warranted for the remainder of the period prior to the first scheduled replacement point for the part.
- (4) Repair or replacement of any warranted part under the warranty provisions herein must be performed at a warranty station at no charge to the owner.
- (5) Notwithstanding the provisions herein, warranty services or repair will be provided at all of our distribution centers that are franchised to service the subject engines.
- (6) The engine owner must not be charged for diagnostic labor that leads to the determination that a warranted part is in fact defective, provided that such diagnostic work is performed at a warranty station.
- (7) Buffalo Corp. is liable for damages to other engine components proximately caused by a failure under warranty of any warranted part.
- (8) Throughout the engine warranty period stated above, Buffalo Corp. will maintain a supply of warranted parts sufficient to meet the expected demand for such parts.
- (9) Any replacement part may be used in the performance of any warranty maintenance or repairs and must be provided without charge to the owner. Such use will not reduce the warranty obligations of Buffalo Corp.
- (10) Add-on or modified parts that are not exempted by the Air Resources Board may not be used. The use of any non-exempted add-on or modified parts by the ultimate purchaser will be grounds for disallowing a warranty claims. Buffalo Corp will not be liable to warrant failures of warranted parts caused by the use of a non-exempted add-on or modified part.
- (11) The manufacturer issuing the warranty shall provide any documents that describe that manufacturer's warranty procedures or policies within five working days of request by the Air Resources Board.

## **EMISSION WARRANTY PARTS LIST**

- (1) Fuel Metering System:
  - (a) Gasoline carburetor assembly and its internal components
  - (b) Carburetor gaskets
  - (c) Fuel line
  - (d) Clamps
  - (e) Fuel tank
  - (f) Fuel line fittings
  - (g) pressure regulator (if equipped)
  - (h) Mixer assembly and its internal components (if equipped)
- (2) Air induction system including:
  - (a) Intake pipe/manifold
  - (b) Air cleaner
- (3) Ignition system including:
  - (a) Spark plug
  - (b) Ignition coil
- (4) Catalytic muffler assembly including:
  - (a) Muffler gasket
  - (b) Exhaust manifold
  - (c) Catalytic converter (if available)
- (5) Crankcase breather assembly including
  - (a) Breather connection tube
- (6) Fuel tank evaporative emissions control system including:
  - (a) Purge valves
  - (b) Carbon canister
  - (c) canister Mounting Brackets
  - (d) Fuel Cap
  - (e) Fuel Tank
- (7) Miscellaneous items used in above systems including:
  - (a) Switches
  - (b) Hoses, belts connectors, and assemblies
- (8) Air injection system
  - (a) Pulse valve

201806