

3-POINT QUICK HITCH



Instruction & Assembly

SAVE THESE INSTRUCTIONS FOR FUTURE REFERENCE

Save the receipt, warranty and these instructions. It is important that you read the entire manual to become familiar with this product before you begin using it.

This machine is designed for certain applications only. The distributor cannot be responsible for issues arising from modification. We strongly recommend this machine is not modified and/or used for any application other than that for which it was designed. If you have any questions relative to a particular application, DO NOT use the machine until you have first contacted distributor to determine if it can or should be performed on the product.



GENERAL WARNINGS



READ and UNDERSTAND this manual completely before using 3-point quick hitch.

Failure to follow the safety rules and other basic safety precautions may result in serious personal injury.



WARNING: When using this tool, basic safety precautions should always be followed to reduce the risk of personal injury and damage to equipment. Read all instructions before using this tool.

1. **Keep work area clean.** Cluttered areas invite injuries.
2. **Keep children away.** Children must never be allowed in the work area. Do not let them handle machines, tools, or extension cords.
3. **Store idle equipment.** When not in use, tools must be stored in a dry location to inhibit rust. Always lock up tools and keep out of reach of children.
4. **Use the right tool for the job.** Do not attempt to force a small tool or attachment to do the work of a larger industrial tool. There are certain applications for which this tool was designed. It will do the job better and more safely at the rate for which it was intended. Do not modify this tool and do not use this tool for a purpose for which it was not intended.
5. **Dress properly.** Do not wear loose clothing or jewelry as they can be caught in moving parts. Protective, electrically non-conductive cloths and non-skid footwear are recommended when working. Wear restrictive hair covering to contain long hair.
6. **Use eye and ear protection and protective clothing.** Always wear ANSI approved impact safety goggles. Wear an ANSI approved dust mask or respirator when working around metal, wood, and chemical dusts and mists. Wearing of gloves and protective clothing is recommended.
7. **Do not overreach.** Keep proper footing and balance at all times.
8. **Maintain tools with care.** Keep tools clean for better and safer performance. Follow instructions for lubricating and changing accessories.
9. **Remove adjusting keys and wrenches.** Check that keys and adjusting wrenches are removed from the tool or machine work surface before plugging it in.
10. **Stay alert.** Watch what you are doing, use common sense. Do not operate any tool when you are

tired.

11. **Check for damaged parts.** Before using any tool, any part that appears damaged should be carefully checked to determine that it would operate properly and perform its intended function. Check for alignment and binding of moving parts, any broken parts of mounting fixtures, and any other condition that may affect proper by a qualified technician.
12. **Replaced parts and accessories.** When servicing, use only identical replaced pars. Use of any other parts will void the warranty. Only use accessories intended for use with this tool. Approved accessories are available from the distributor.
13. **Do not operate tool if under the influence of alcohol or drugs.** Read warning labels if taking prescription medicine to determine to determine if your judgment or reflexes are impaired while taking drugs. If there is any doubt, do not operate the tool.
14. **Maintenance.** For your safety, service and maintenance should be performed regularly by a qualified service technician.
15. **Moving parts may cause injury.** Keep hands, hair, loose clothing, and tools away from moving parts of the hitch. Keep spectators away at a safe distance.
16. **Use the hitch on a proper surface locate on a flat, level and solid surface that is capable of supporting the weight of the hitch and attached implement, plus the load.**
17. **Avoid accidents while using the hitch and its attached implement. This tool is for off-road use only.**



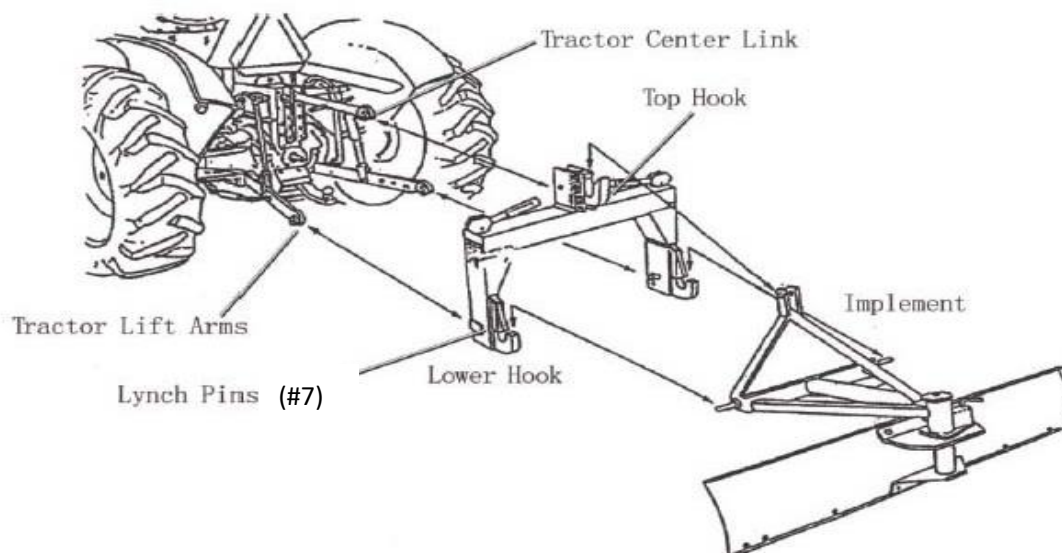
WARNING: The warning, cautions and instructions discussed in this instruction cannot cover all possible conditions and situations that may occur. It must be understood by the operator that common sense and caution are factors which cannot be built into this product, but must be supplied by the operator.

INSTALLATION

NOTE: It is recommended that 2 people assist in the setting up of this tool.

1. Fasten the QUICK HITCH to the tractor's lift arms using the solid Link Pins (not provided) with a flat bracket on one end and Lynch Pins (#7). See illustration below.
2. Fasten the tractor's Center Link to the top bracket of the QUICK HITCH using a common Link Pin (not provided). Place the tractor Lift Arms into the lower pin holes and insert Lynch Pins and Locking Clips.
3. Install a common top Link Pin (not provided) on the implement's top framework for the QUICK HITCH Top Hook to grab on.
4. Insert the implement's lower mounts inside the hitch hooks and lock by pressing down the latch handles.
5. Check that all connections are tight before starting the work task.

NOTE: If the tractor has stabilizer arms, they will not fit into the QUICK HITCH mounting area along with the lift arms. For this reason, use stabilizer chains or some other common, longer Mounting Pin (not provided) to fasten the QUICK HITCH to the tractor.



MAINTENANCE

1. Clean dirt and debris off the QUICK HITCH after each use.
2. Store in a clean and dry location.
3. Periodically lubricate all moving parts.
4. After each use check for damaged or overly worn parts. Never use the QUICK HITCH or attached implement or worn parts are noted.

SPECIFICATION

- 2 spring-loaded handles for fast and easy attachment and release of 3pt implements
- Heavy-duty steel construction
- Fixed top link ball bracket
- Includes two bushings
- 32.8 inch inside distance between hooks
- 36.3 inch outside distance between hooks
- Item Weight.: 132 lbs

PARTS DRAWING & PARTS LIST

Ref#	Drawing No.	Description	Qty
1	Z110-03000	Latch Handle	2
2	Z110-00007-CD	Bolt M6x35	2
3	9206-06000-CD	Nylon Lock Nut M6	4
4	Z110-00004-FH	Pressure Spring	2
5	Z120-03000	Connecting Rod Weldment	2
6	Z120-00003-CD	O Locking Clip	2
7	Z120-02001-CD	Lynch Pin	2
8	Z110-00006-CD	Bolt M6x30	2
9	Z120-00001	Link Stopper	2
10	Z120-00002-CD	Connecting Shaft	2
11	9402-12035-CD	Spring Pin	2
12	Z120-00004-CD	Bolt M12x45	2
13	9206-12000-CD	Nylon Lock Nut M12	2
14	E050-50002	Handle Sleeve	2
15	Z120-01000	Main Frame Welement	1

LIMITED WARRANTY

Warranty

For one year from the date of purchase YTL International will replace for the original purchaser, or repair the 3-point quick hitch. The warranty will not apply to any unit which was not assembled correctly, misused, overloaded or which has been used or operated contrary to our instructions, or which has been repaired or altered by anyone other than an authorized representative.

Warranty Exclusions

This warranty does not cover cosmetic defects such as paint, decals or wear items such as tires. This warranty will not cover failures or problems due to acts of God, or events or forces beyond the control of the manufacturer.

Normal Wear Exclusion

The 3-point quick hitch needs periodic service to perform well. This warranty does not cover repair when normal use has exhausted the life of a part or the equipment as a whole.

Installation, Use and Maintenance Exclusion

This warranty will not apply to parts and/or labor if the 3-point quick hitch has been misused, neglected, involved in an accident, abused, loaded beyond its limits, modified or assembled incorrectly. Normal maintenance is not covered under this warranty.

Limits of Implied Warranty and Consequential Damage Exclusion

YTL International disclaims any obligation to cover any loss of time, use of this product, freight, or any incidental or consequential claim by anyone from using this 3-point quick hitch. THIS WARRANTY IS IN LIEU OF ALL OTHER WARRANTIES, EXPRESS OR IMPLIED, INCLUDING WARRANTIES OF MERCHANTABILITY OR FITNESS FOR A PARTICULAR.

An exchange unit will be subject to the original warranty. The length of the warranty governing the exchanged unit will have the date as the purchase date of the original unit. This warranty gives you certain legal rights which may change from state to state. Your state may also have other rights you may be entitled to that are not listed within this warranty.

Contact Information

YTL International Inc.
17517 Fabrica Way, Suite J
Cerritos, CA 90703
Phone: (888) 723-6534
Phone: (562) 404-8016
Fax: (562) 404-8013
Email: parts@ytlinternational.com

Warranty & Customer Support Questions

Phone: (800) 232-7162