

WARRANTY

WHAT IS COVERED

We warrant the product to be free from defects in material or workmanship for a period of one year from the date of original retail purchase. The word "defects" is defined as imperfections that impair the use of the product. Defects resulting from misuse, abuse or customer negligence will void this warranty.

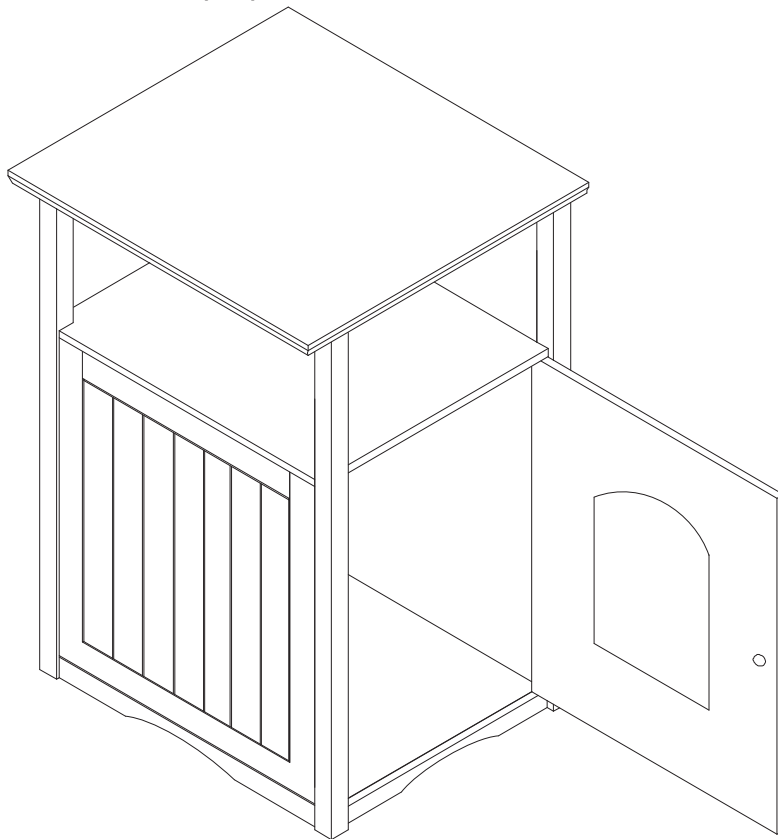
WHAT IS NOT COVERED

This warranty does not cover commercial use, hardware, acts of nature, fire, freezing and abusive use. This warranty does not cover defects due to alteration or accidents. This warranty does not cover scratches, scuffs or other cosmetic damages that may result from normal use of the product.

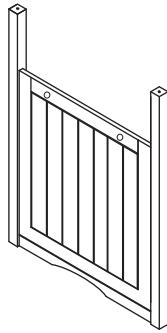
CARE INSTRUCTIONS

Thank you for choosing ZOOVILLASTM CAT WASHROOM. With a little care and maintainance, the ZOOVILLASTM CAT WASHROOM will provide you with comfort and enjoyment for many years to come!

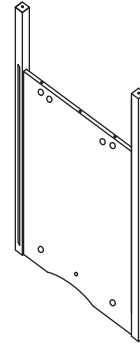
- To clean panels, use clean water on a damp cloth.
- When assembling ZOOVILLASTM CAT WASHROOM, please handle all panels and/or hardware with care to avoid any possibilities of damages and/or injuries.
- Screw caps are optional for aesthetic purposes.



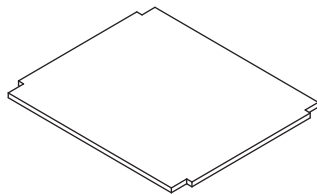
NOTE: Please read all instructions carefully before starting assembly. Also, we recommend that the unit is fully assembled on a level surface. Two people are recommended to assemble this product. **DO NOT** over torque screws and bolts.



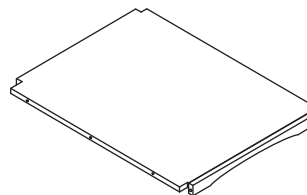
A LEFT PANEL X 1PC



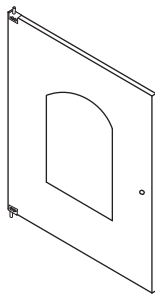
B RIGHT PANEL X 1PC



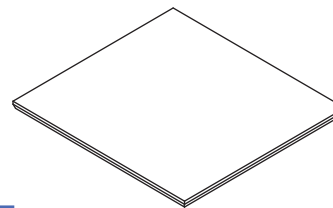
C SHELF PANEL X 1PC



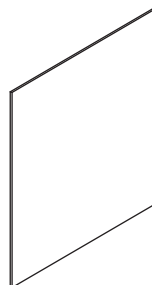
D FLOOR PANEL X 1PC



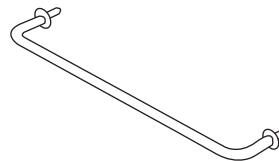
E DOOR PANEL X 1PC



F TOP PANEL X 1PC

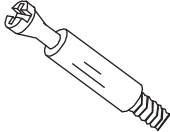

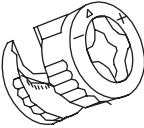
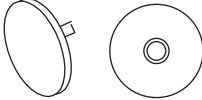
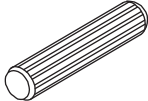
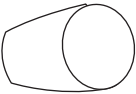
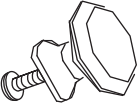
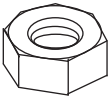



G BACK PANEL X 1PC




H TOWEL HANGER X 1PC

NOTE: Please read all instructions carefully before starting a
Also, we recommend that the unit is fully assembled on a level
Two people are recommended to assemble this product.

- | | | | |
|----|---|---------------------------------------|-----------|
| 1 |  | LOCKING BOLT | 12+1PCS |
| 2a |  | SMALL CAM | 8 + 2 PCS |
| 2b |  | LARGE CAM | 4 + 1 PCS |
| 3 |  | CAP (OPTIONAL FOR AESTHETIC PURPOSES) | 12 + 3PCS |
| 4 |  | WOODEN DOWEL | 4 PCS |
| 5 |  | WOOD PLUG | 4 PCS |
| 6 |  | DOOR KNOB | 1 PCS |
| 7 |  | NUT | 2 PCS |
| 8 |  | WASHER | 2 PCS |

TOOL REQUIRED


 Phillips Screwdriver

** Power Tool NOT Recommended*



Insert threads of Locking Bolts completely, and stop once threads are no longer visible.

Do NOT overturn.



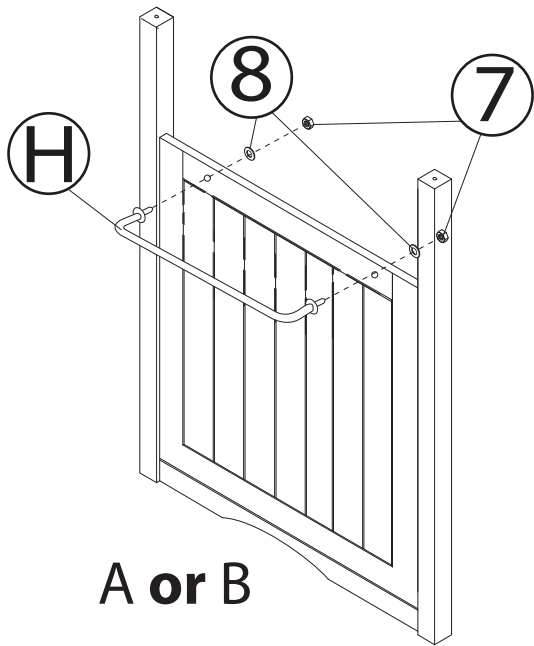
Only slight turn of Cams required.

Do NOT overturn.

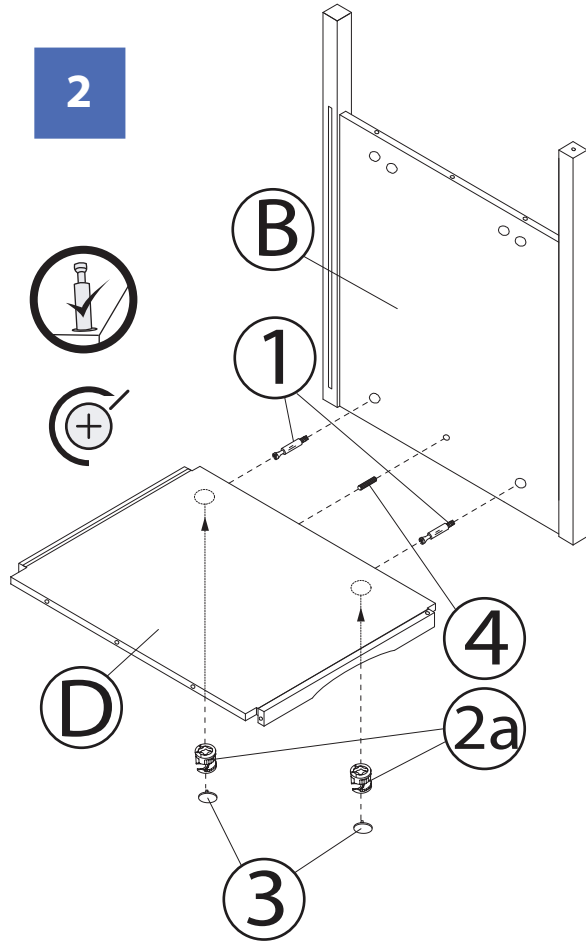
Reference this guide when assembling all Locking Bolts (Hardware #1).

Reference this guide when assembling all Cam Locks (Hardware #2a & #2b).

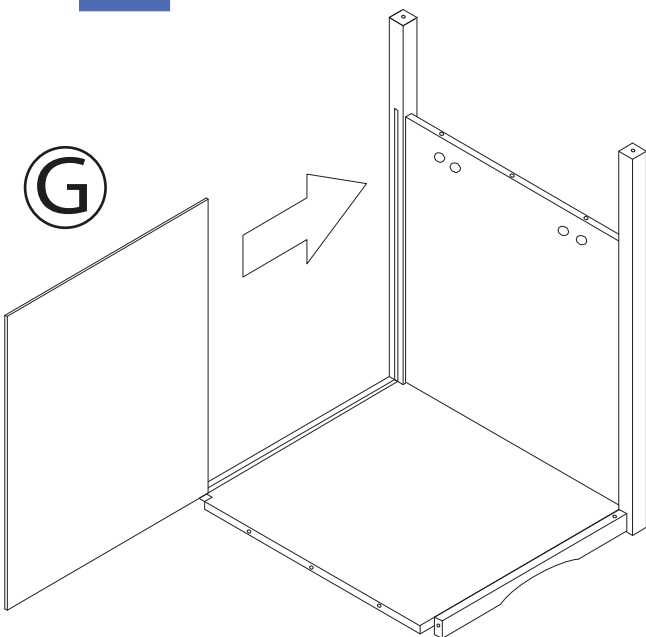
1



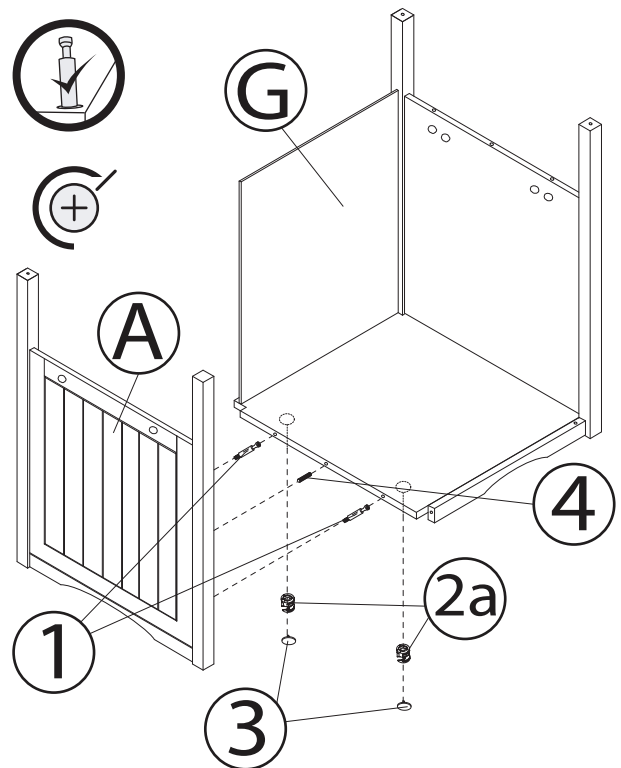
2



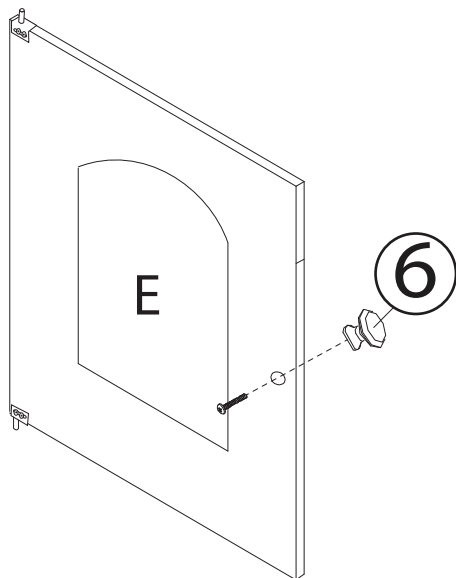
3



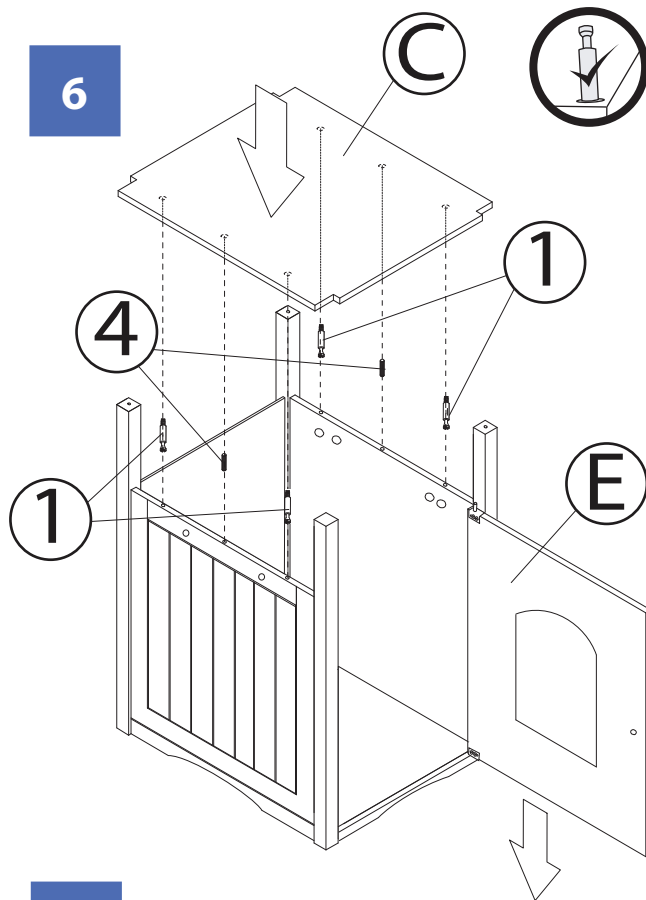
4



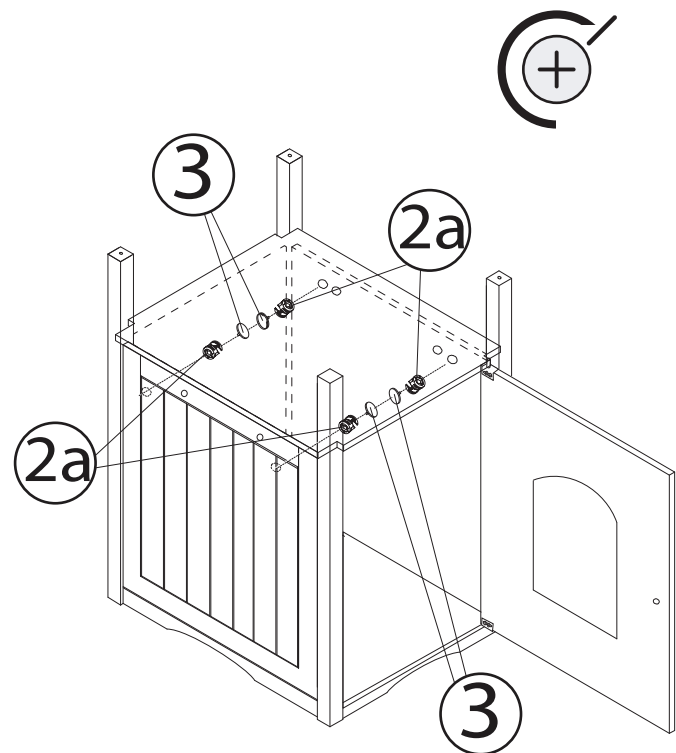
5



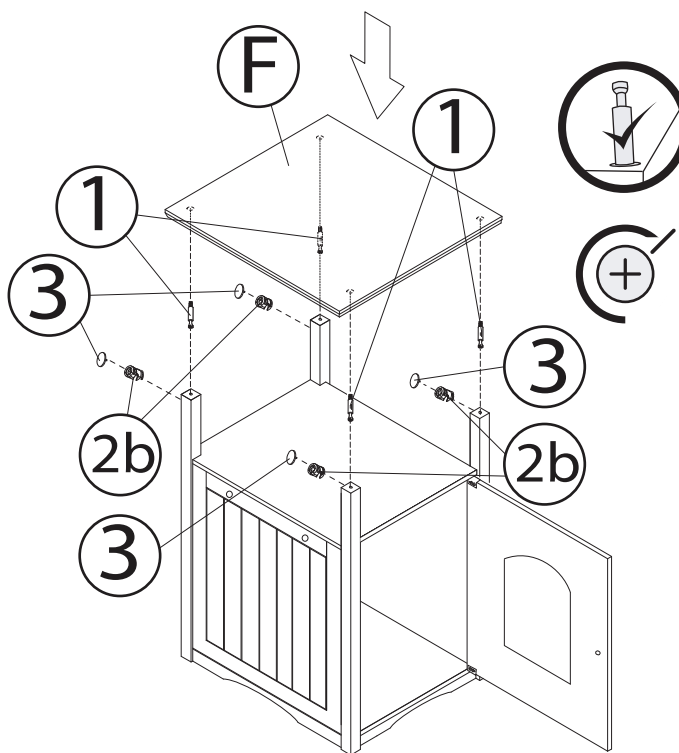
6



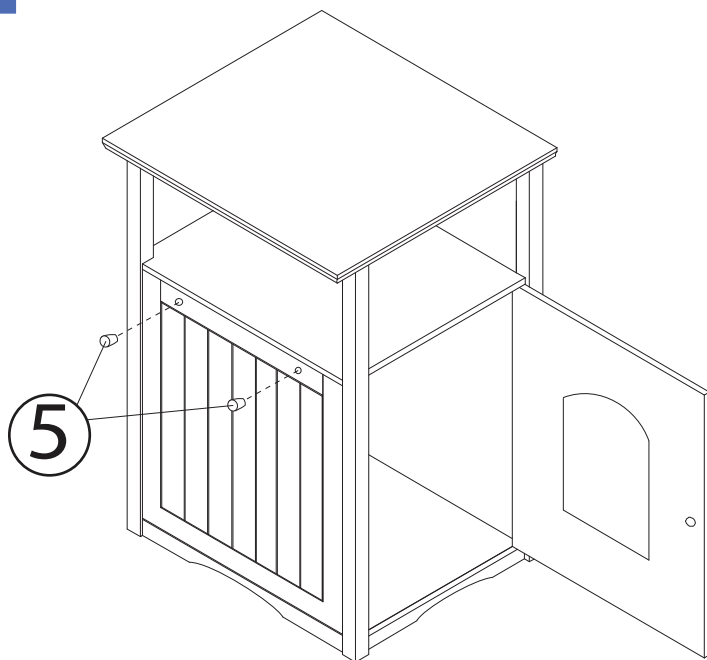
7



8



9



TROUBLESHOOTING

- | | |
|--|--|
| Step 1: Towel Hanger Options | The option is available to attach the Towel Hanger to the Right or Left Panel. If you decide to change this position in the future, remove the wood plugs and exchange sides. The wood plugs may be easily remove by tapping the back of the plugs with a screwdriver. |
| Step 2: Assembly of Floor Panel | Ensure that the front lip on the floor panel is facing down. |
| Step 3: Back Panel Does Not Slide Into Side and Floor Panels | There may be dust or debris preventing the back panels from easily sliding into place. Clear the pathway carefully using a thin object or tool. |
| Step 9: Door Panel Catches on Floor Panel when being Opened or Closed | Use a screw driver to loosen the screws on the top hinge slightly. Once top hinge is loose, lift the bottom of the door slightly. Tighten back the screws on the top hinge. |

Please check contents before assembly. If any items are missing or damaged, do not take the unit back to the store. Call (775) 629-5029 or email: service@merryproducts.com for customer service and we will save you time by correcting any problems directly for you.

NOTE: Please read all instructions carefully before starting assembly. Also, we recommend that the unit is fully assembled on a level surface. Two people are recommended to assemble this product. DO NOT over torque screws and bolts.