

WARRANTY

WHAT IS COVERED

We warrant the product to be free from defects in material or workmanship for a period of one year from the date of original retail purchase. The word "defects" is defined as imperfections that impair the use of the product. Defects resulting from misuse, abuse or customer negligence will void this warranty.

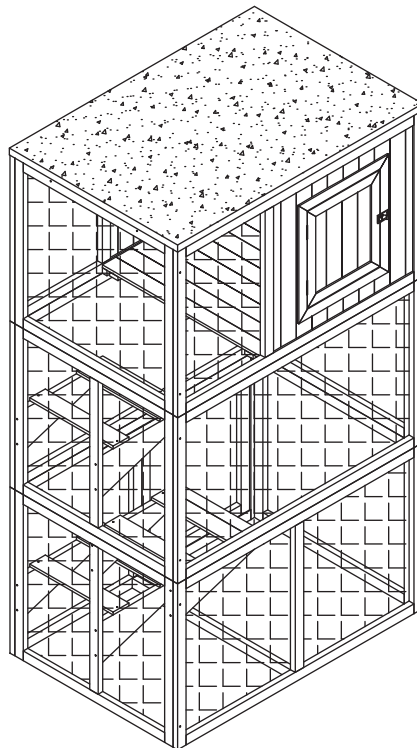
WHAT IS NOT COVERED

This warranty does not cover commercial use, hardware, acts of nature, fire, freezing and abusive use. This warranty does not cover defects due to alteration or accidents. This warranty does not cover scratches, scuffs or other cosmetic damages that may result from normal use of the product.

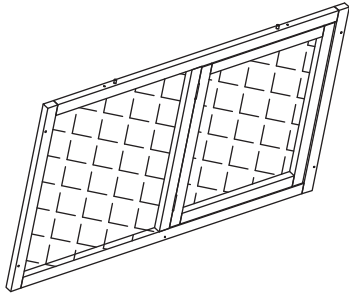
CARE INSTRUCTIONS

Thank you for choosing ZOOVILLAS[™] CAT CLIMBER. With a little care and maintainance, the ZOOVILLAS[™] CAT CLIMBER will provide you with comfort and enjoyment for many years to come!

- To clean panels, use clean water on a damp cloth. DO NOT pressure wash, this will damage the finish.
- When assembling ZOOVILLAS[™] CAT CLIMBER, please handle all panels and/or hardware with care to avoid any possibilities of damages and/or injuries.
- Cover during harsh weather to keep it from weathering.
- It is highly recommended that you treat ZOOVILLAS[™] CAT CLIMBER with a weatherproof coating stain once a year, to increase life expectancy and maintain the look.

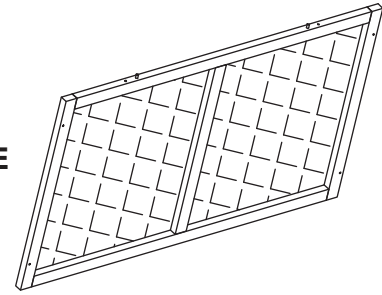


NOTE: Please read all instructions carefully before starting assembly. Also, we recommend that the unit is fully assembled on a level surface. Two people are recommended to assemble this product. DO NOT over torque screws and bolts.

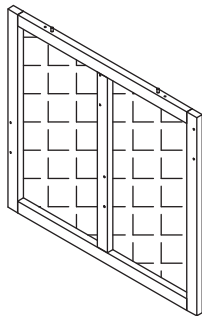


1 BOTTOM RUN, SIDE 1 X 1PC

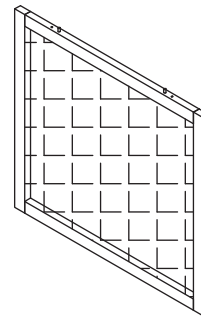
NOTE: PART 1 & PART 2 ARE INTERCHANGEABLE



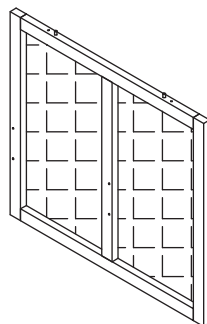
2 BOTTOM RUN, SIDE 2 X 1PC



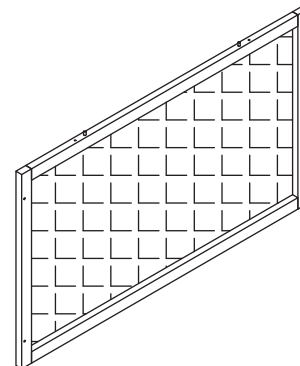
3 BOTTOM RUN, END 1 X 1PC



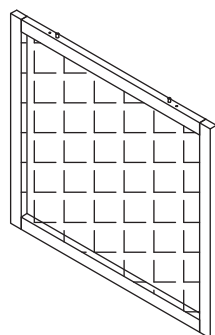
4 BOTTOM RUN, END 2 X 1PC



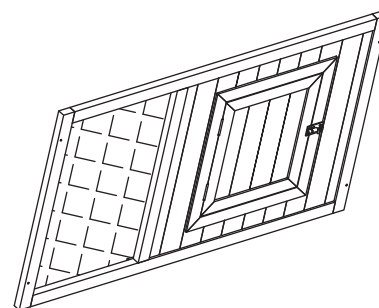
5 MIDDLE RUN, END 1 X 1PC



6 MIDDLE RUN, SIDE 1 & 2 X 2PCS

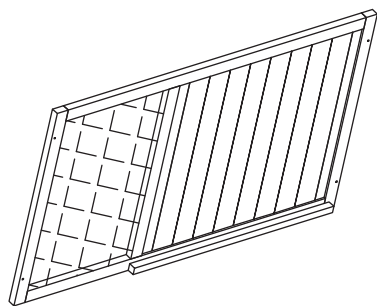


7 MIDDLE RUN, END 2 X 1PC

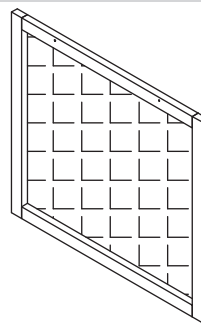


8 TOP RUN, SIDE 1 X 1PC

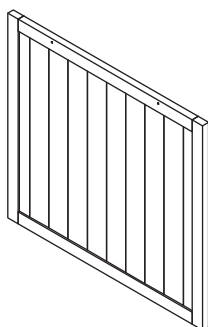
NOTE: Please read all instructions carefully before starting assembly.
 Also, we recommend that the unit is fully assembled on a level surface.
 Two people are recommended to assemble this product.
 DO NOT over torque screws and bolts.



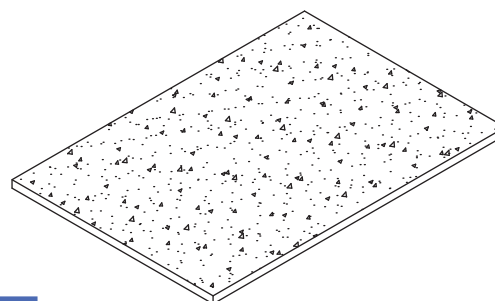
9 TOP RUN, SIDE 2 X 1PC



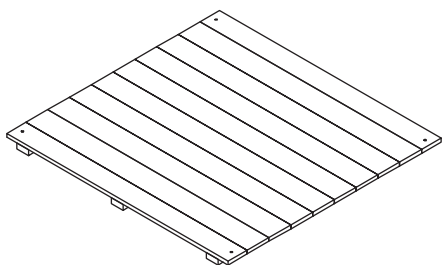
10 TOP RUN, END 1 X 1PC



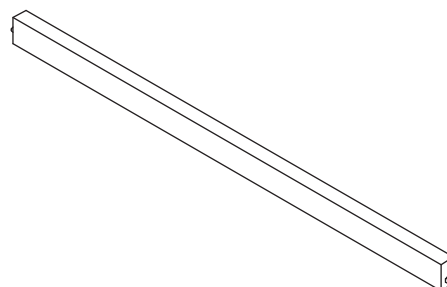
11 TOP RUN, END 2 X 1PC



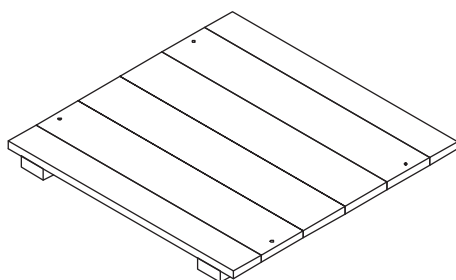
12 ROOF X 1PC



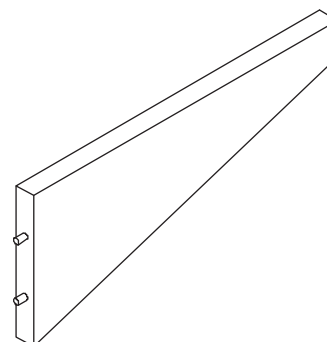
13 HOUSE FLOOR PLATFORM X 1PC



14 BOTTOM RUN, CROSSER X 1PC

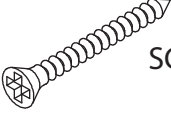
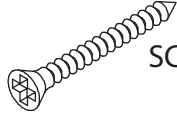
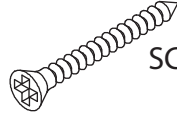
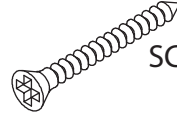
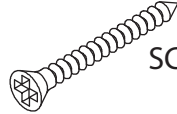
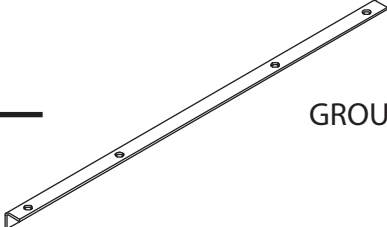


15 CLIMBING PLATFORM X 3PCS

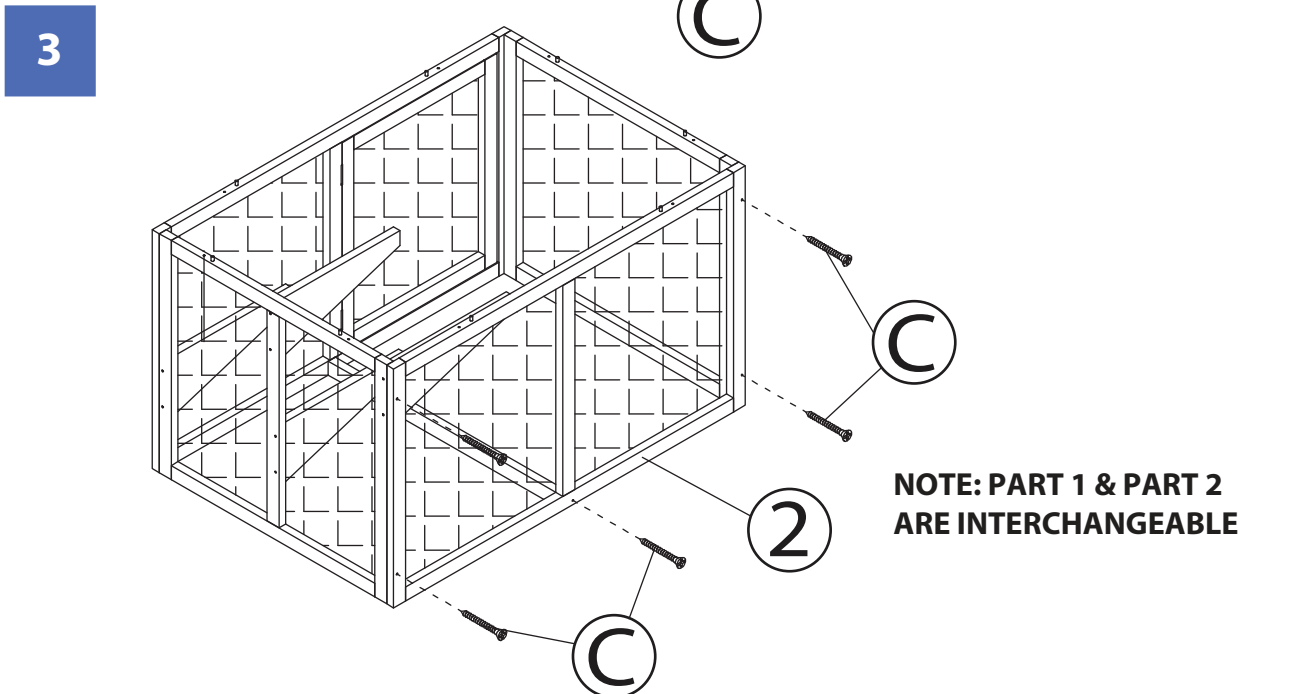
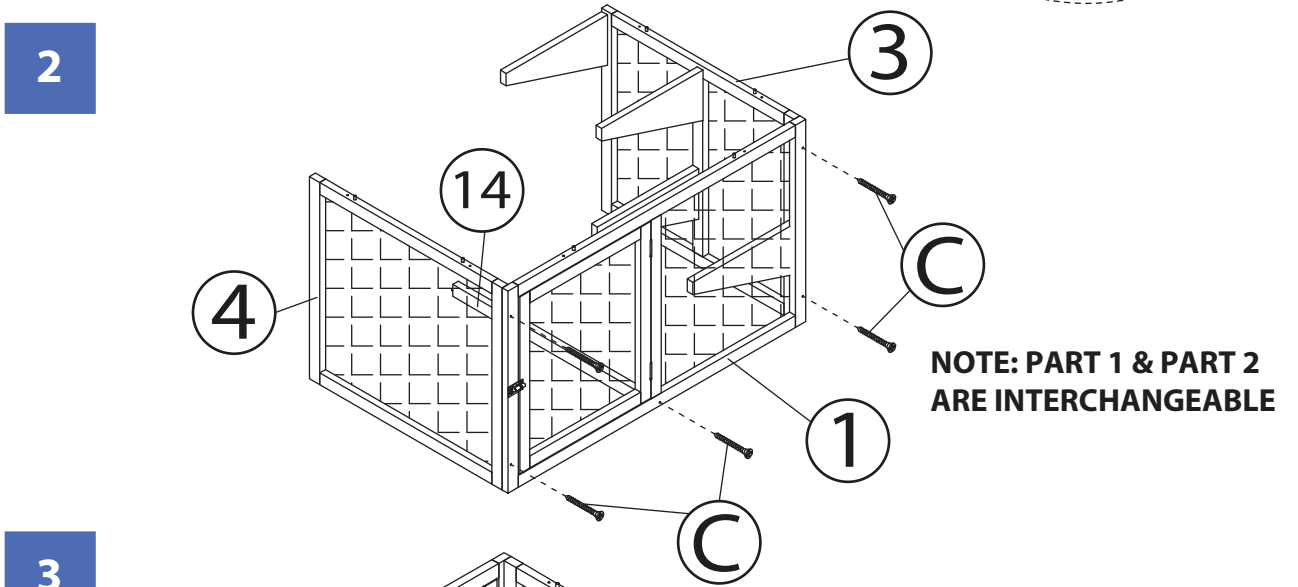
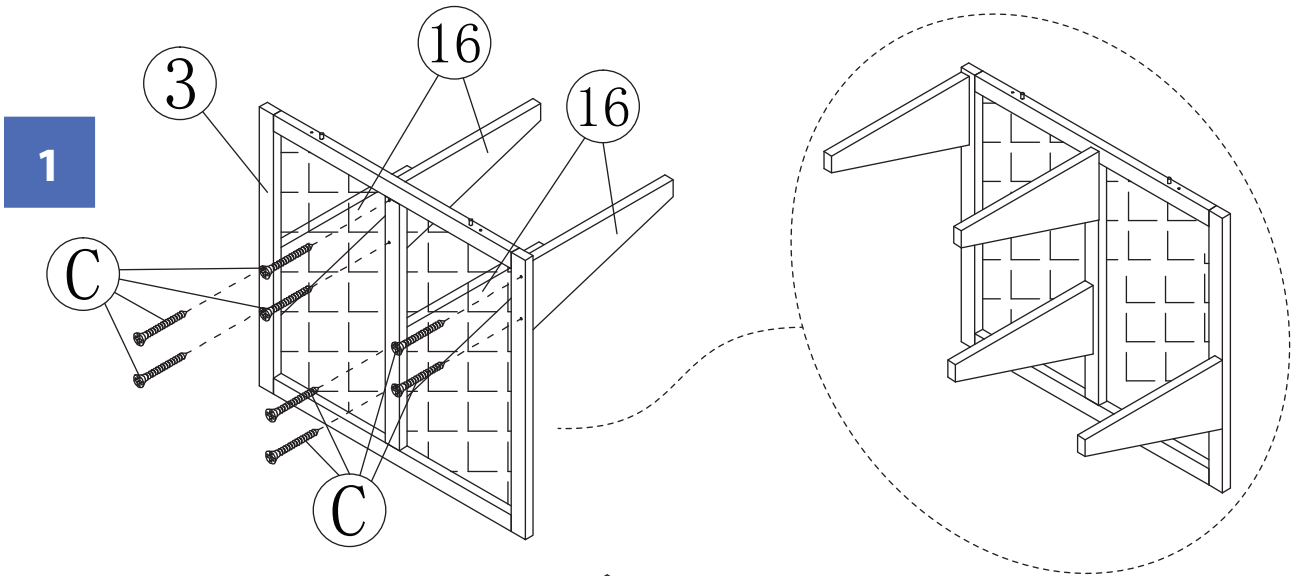


16 CLIMBING PLATFORM, SUPPORT X 6PCS

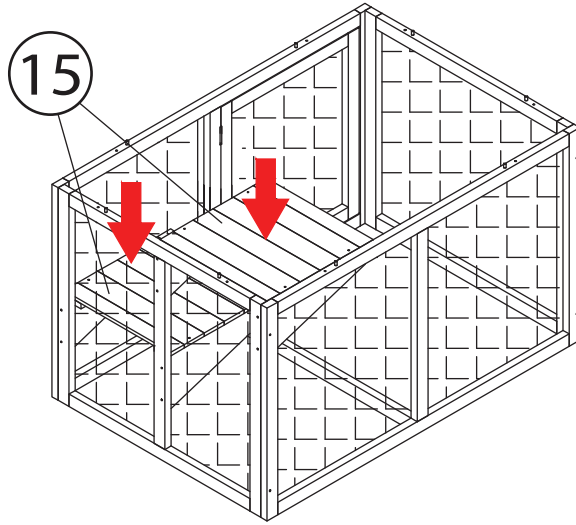
NOTE: Please read all instructions carefully before starting assembly.
 Also, we recommend that the unit is fully assembled on a level surface.
 Two people are recommended to assemble this product.
 DO NOT over torque screws and bolts.

A		SCREW 3X20mm	16 PCS
B		SCREW 3X30mm	4 PCS
C		SCREW 3.5X40mm	38 PCS
D		SCREW 3.5X60mm	16 PCS
E		SCREW 3X16mm	8 PCS
F		GROUND STAKE	4 PCS

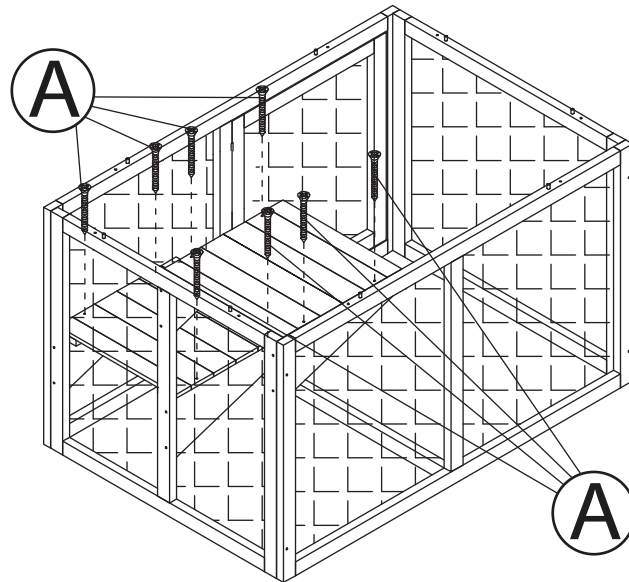
NOTE: Please read all instructions carefully before starting assembly.
 Also, we recommend that the unit is fully assembled on a level surface.
 Two people are recommended to assemble this product.
 DO NOT over torque screws and bolts.



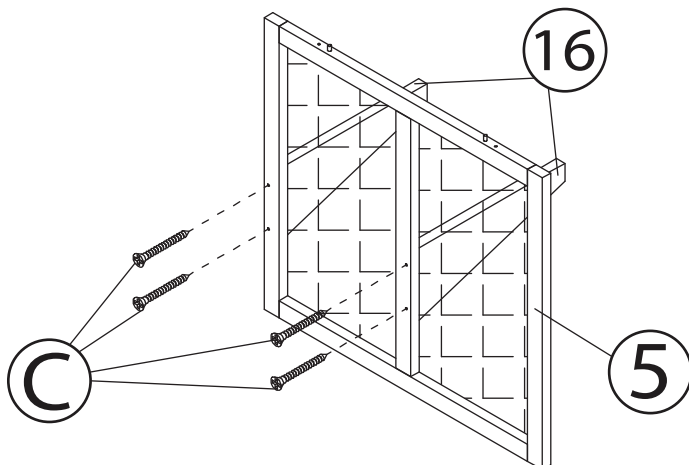
4

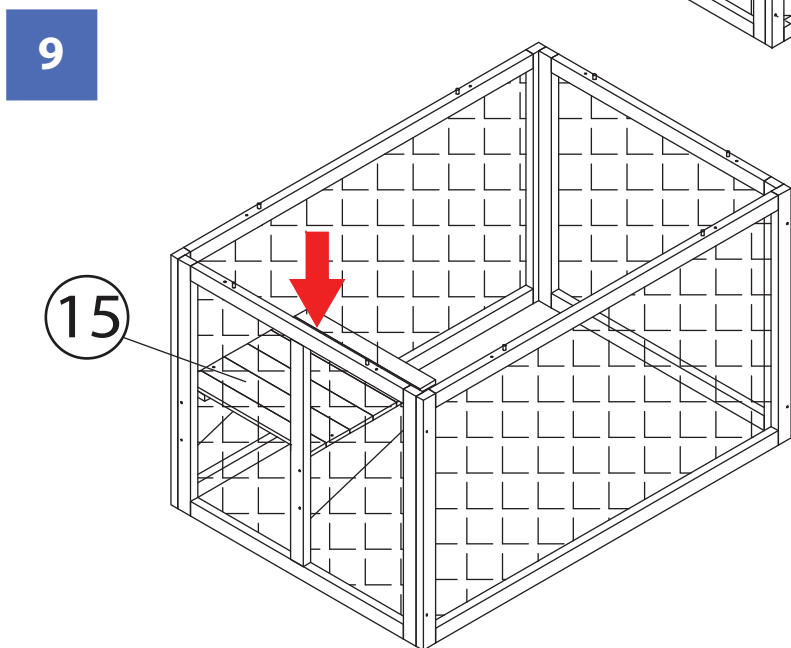
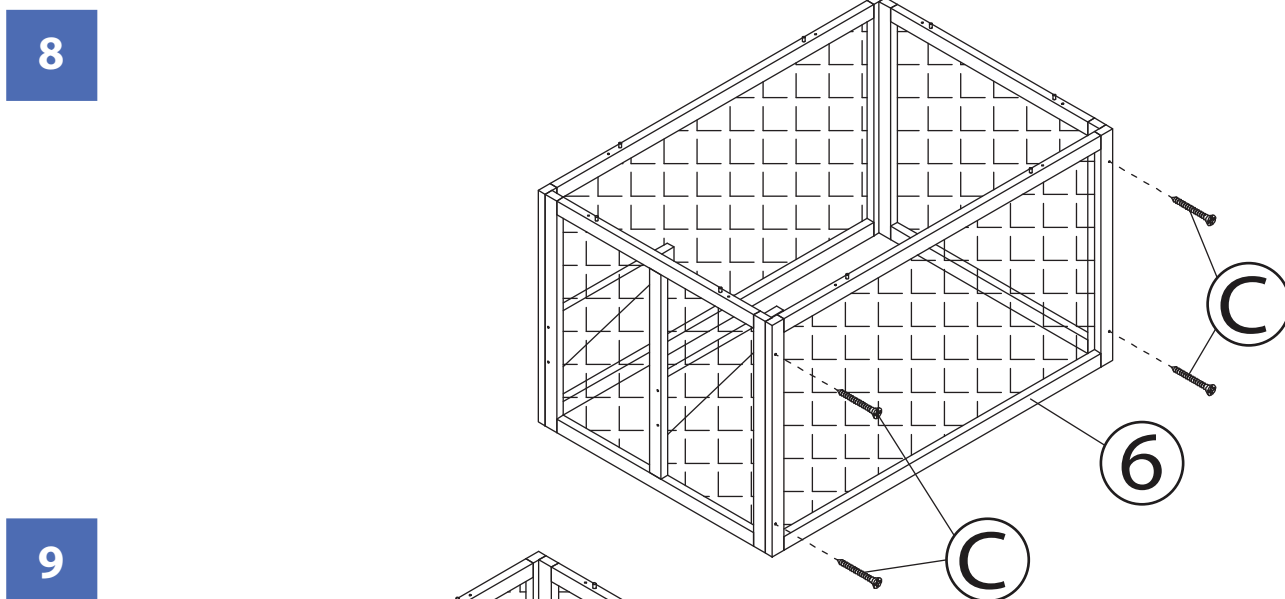
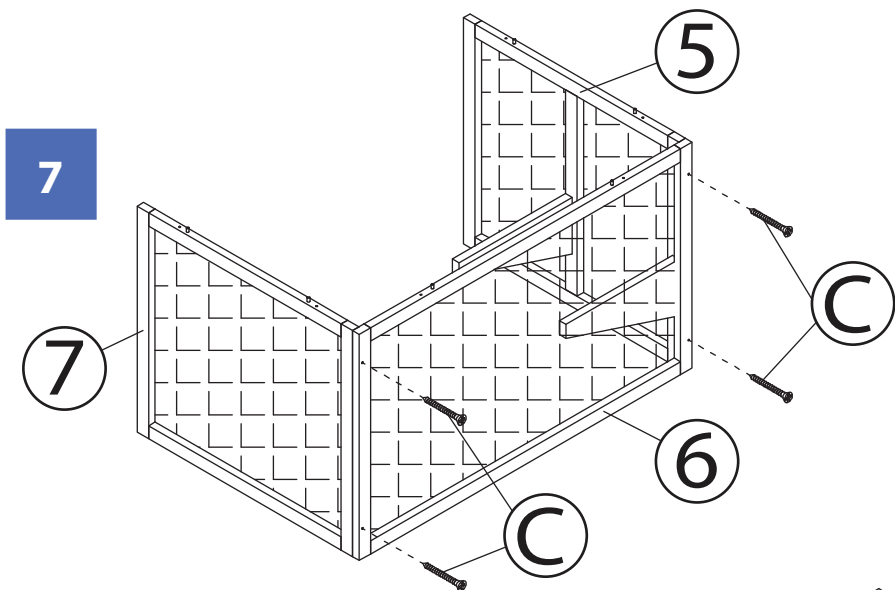


5

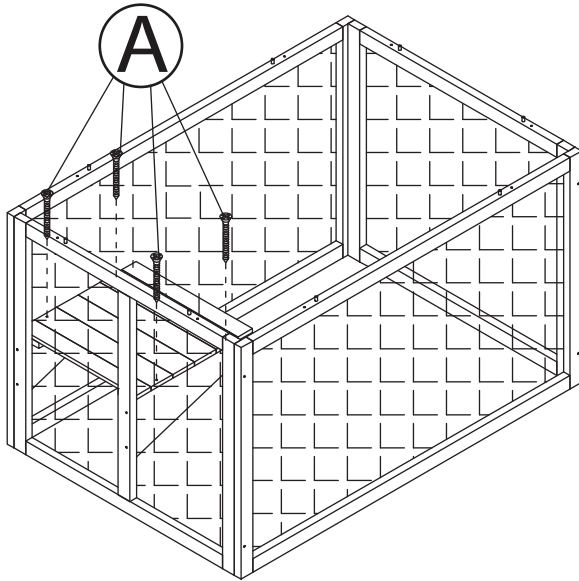


6

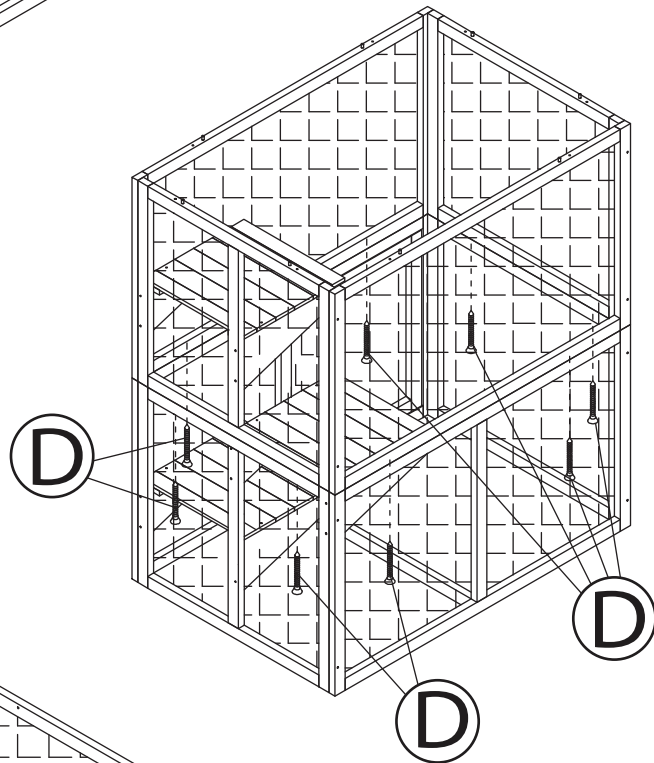




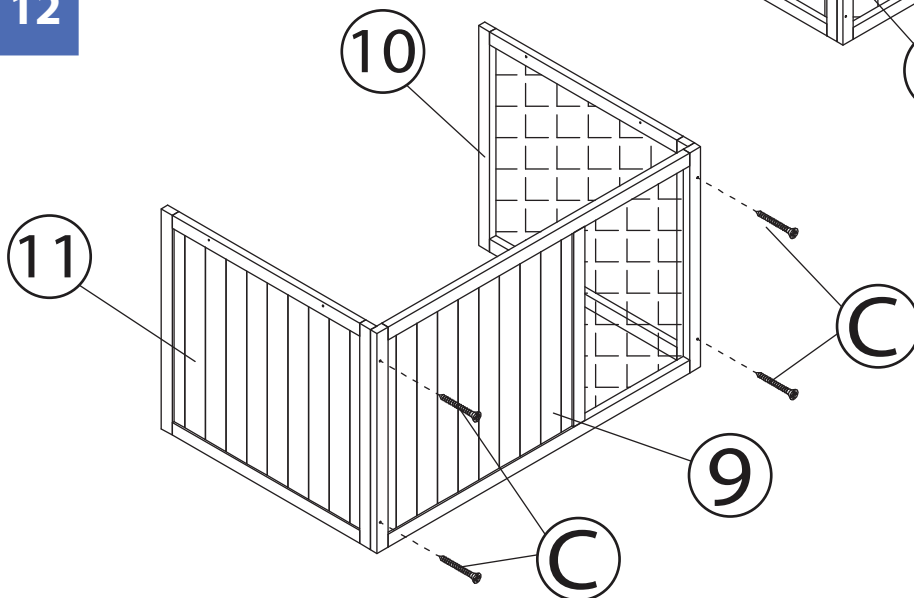
10



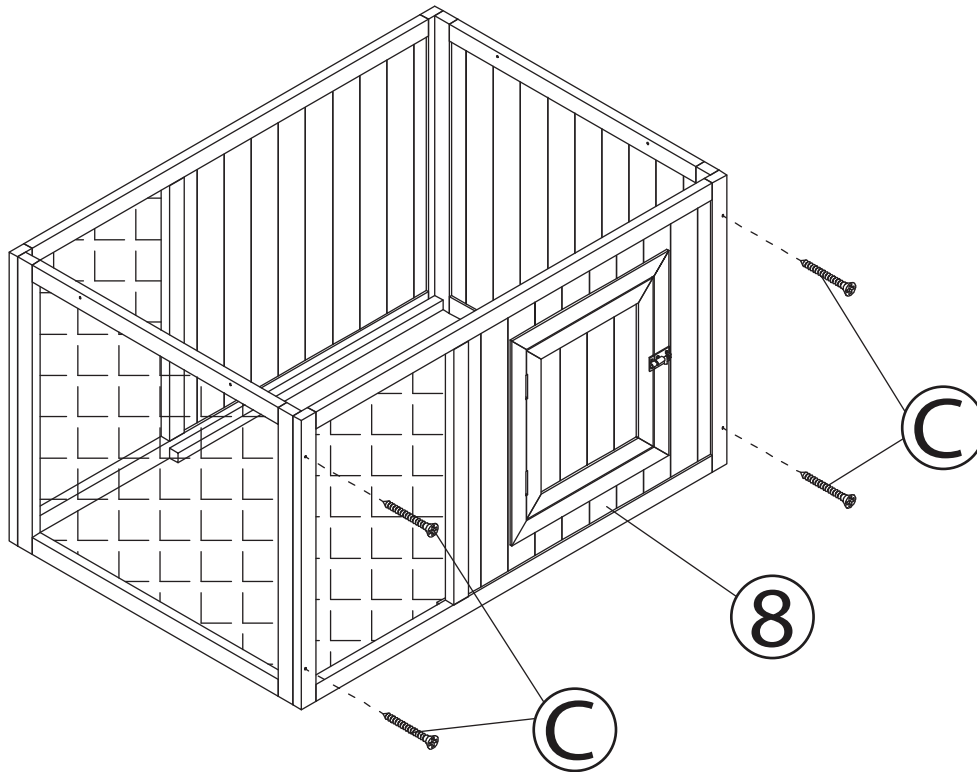
11



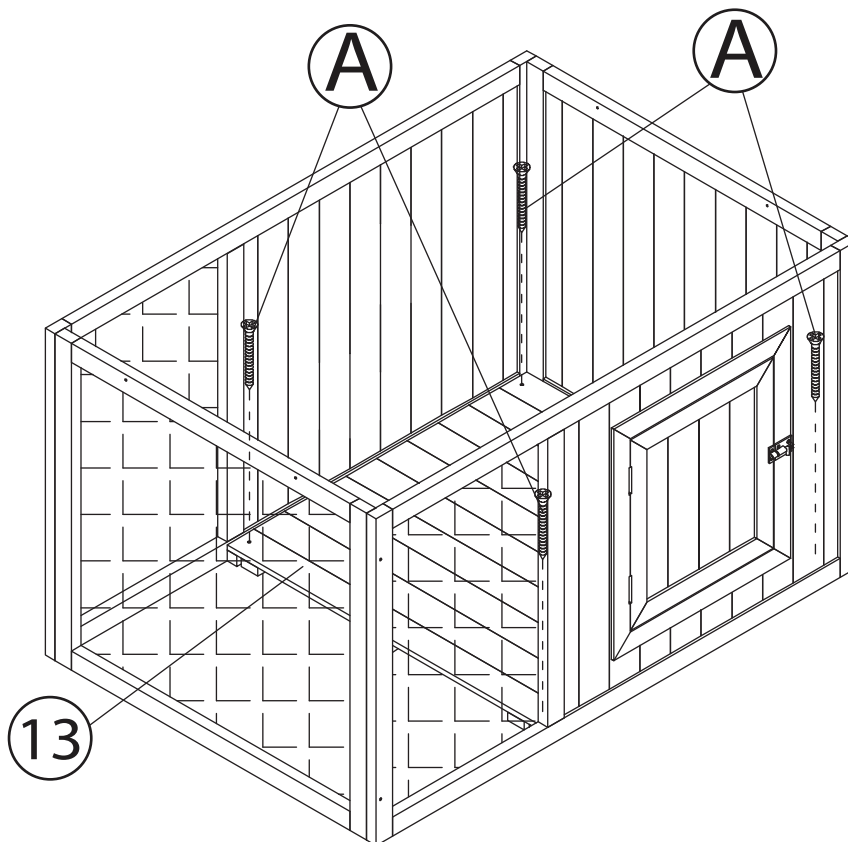
12



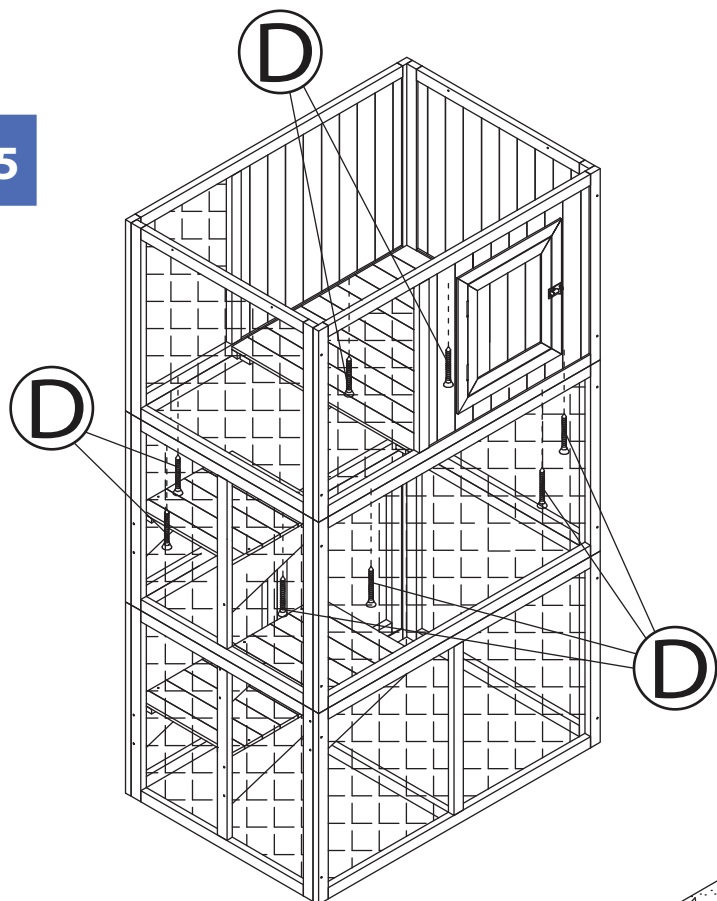
13



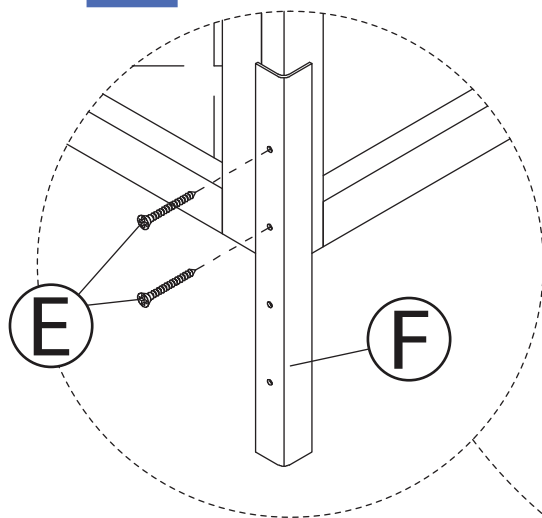
14



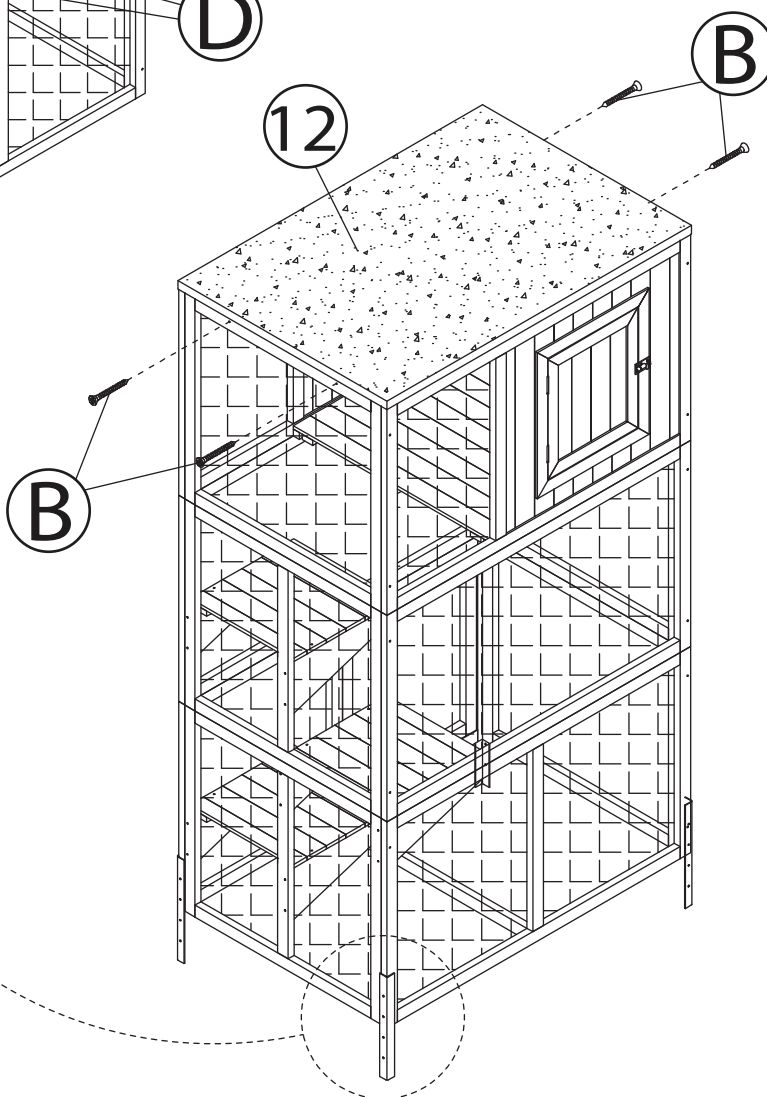
15



16



x4



Please check contents before assembly. If any items are missing or damaged, do not take the unit back to the store. Call (775) 629-5029 or email: service@merryproducts.com for customer service and we will save you time by correcting any problems directly for you.

NOTE: Please read all instructions carefully before starting assembly. Also, we recommend that the unit is fully assembled on a level surface. Two people are recommended to assemble this product.
DO NOT over torque screws and bolts.