

# DEWALT®



**Instruction Manual  
Guide D'utilisation  
Manual de instrucciones**

**DCPS620**

**20V Max\* Pole Saw**

**Scie à long manche 20 V max\***

**Sierra de Poste 20 V Máx\***

**[www.DEWALT.com](http://www.DEWALT.com)**

**If you have questions or comments, contact us.  
Pour toute question ou tout commentaire, nous contacter.  
Si tiene dudas o comentarios, contáctenos.**

**1-800-4-DEWALT**

## ENGLISH

---

English (***original instructions***)

1

---

Français (*traduction de la notice d'instructions originale*)

16

---

Español (*traducido de las instrucciones originales*)

33

---

## Definitions: Safety Alert Symbols and Words

This instruction manual uses the following safety alert symbols and words to alert you to hazardous situations and your risk of personal injury or property damage.





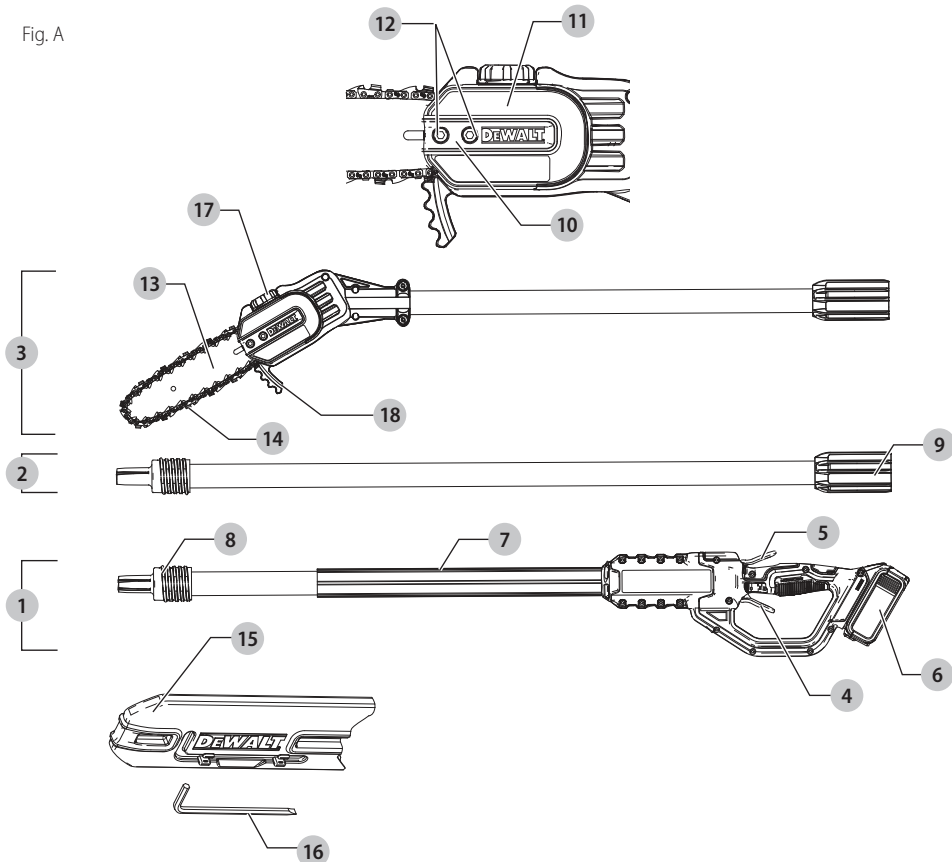

-  **DANGER:** Indicates an imminently hazardous situation which, if not avoided, **will** result in **death or serious injury**.
-  **WARNING:** Indicates a potentially hazardous situation which, if not avoided, **could** result in **death or serious injury**.
-  **CAUTION:** Indicates a potentially hazardous situation which, if not avoided, **may** result in **minor or moderate injury**.
-  (Used without word) Indicates a safety related message.
- NOTICE:** Indicates a practice **not related to personal injury** which, if not avoided, **may** result in **property damage**.


Fig. A



### COMPONENTS

- |                         |                        |
|-------------------------|------------------------|
| 1 Handle assembly       | 10 Bar clamp           |
| 2 Center extension pole | 11 Sprocket cover      |
| 3 Saw head assembly     | 12 Hex head screws     |
| 4 Trigger switch        | 13 Guide bar           |
| 5 Lock button           | 14 Saw chain           |
| 6 Battery               | 15 Scabbard            |
| 7 Foam gripper          | 16 Hex wrench          |
| 8 Threaded pole         | 17 Oil cap             |
| 9 Threaded sleeve       | 18 Branch removal hook |

 **WARNING: Read all safety warnings and all instructions.** Failure to follow the warnings and instructions may result in electric shock, fire and/or serious injury.


 **WARNING:** To reduce the risk of injury, read the instruction manual.

**If you have any questions or comments about this or any DeWALT tool, call us toll free at: 1-800-4-DeWALT (1-800-433-9258).**



## IMPORTANT SAFETY INSTRUCTIONS

-  **WARNING:** To reduce risk of injury:
- Before any use, be sure everyone using this unit reads and understands all safety instructions and other information contained in this manual.
  - Save these instructions and review frequently.
-  **WARNING:** When using electric gardening appliances, basic safety precautions should always be followed to reduce risk of fire, electric shock, and personal injury, including the following.
1. **Avoid Dangerous Environment** – Don't use appliances in damp or wet locations.
  2. **Don't Use In Rain.**
  3. **Keep Children Away** – All visitors should be kept at a distance from work area.
  4. **Dress Properly** – Do not wear loose clothing or jewelry. They can be caught in moving parts. Use of rubber gloves and substantial footwear is recommended when working outdoors. Wear protective hair covering to contain long hair.
  5. **Use Safety Glasses** – Always use face or dust mask if operation is dusty.
  6. **Use Right Appliance** – Do not use appliance for any job except that for which it is intended.
  7. **Don't grasp the exposed cutting blades or cutting edges when picking up or holding the appliance.**
  8. **Don't Force Appliance** – It will do the job better and with less likelihood of a risk of injury at the rate for which it was designed.
  9. **Don't Overreach** – Keep proper footing and balance at all times.
  10. **Stay Alert** – Watch what you are doing. Use common sense. Do not operate appliance when you are tired.
  11. **Disconnect Appliance** – Remove the battery when not in use, before servicing, when changing accessories such as blades, and the like.
  12. **Store Idle Appliances Indoors** – When not in use, appliances should be stored indoors in dry, and high or locked-up place – out of reach of children.
  13. **Maintain Appliance With Care** – Keep cutting edge sharp and clean for best performance and to reduce the risk of injury. Follow instructions for lubricating and changing accessories. Inspect appliance power source periodically, and if damaged, have it repaired by an authorized service facility. Keep handles dry, clean, and free from oil and grease.
  14. **Check Damaged Parts** – Before further use of the appliance, a guard or other part that is damaged should be carefully checked to determine that it will operate properly and perform its intended function. Check for alignment of moving parts, binding of moving parts, breakage of parts, mounting, and any other condition that may affect its operation. A guard or other part that is damaged should be properly repaired or replaced by an authorized service center unless indicated elsewhere in this manual.

## SAVE THESE INSTRUCTIONS

-  **WARNING - Do not operate near electrical power lines.** The unit has not been designed to provide protection from electric shock in the event of contact with overhead electric lines. Consult local regulations for safe distances from overhead electric power lines and ensure that the operating position is safe and secure before operating the saw chain pole pruner.
- **Keep all parts of the body away from the saw chain. Do not remove cut material or hold material to be cut when blades are moving. Make sure the switch is off when clearing jammed material. Blades coast after turn off.** A moment of inattention while operating the pole saw may result in serious personal injury.
  - **Carry the pole saw by the handle with the saw chain stopped.** When transporting or storing the pole saw always fit the saw chain device cover. Proper handling of the pole saw will reduce possible personal injury from the saw chain.
  - **Hold the power tool by insulated gripping surfaces only, because the cutter blade may contact hidden wiring.** A saw chain contacting a "live" wire may make exposed metal parts of the tool "live" and could give the operator an electric shock.
  - **Do not use the pole saw in bad weather conditions, especially when there is a risk of lightning.** This decreases the risk of being struck by lightning.
  - **Always use two hands when operating the pole saw.** Hold the pole saw with both hands to avoid loss of control.
  - **Always use head protection when operating the pole saw overhead.** Falling debris can result in serious personal injury.

## SPECIFIC SAFETY RULES

-  **WARNING:** Some dust contains chemicals known to State of California to cause cancer, birth defects or other reproductive harm. Some examples of these chemicals are:
- compounds in fertilizers,
  - compounds in insecticides, herbicides and pesticides,
  - arsenic and chromium from chemically treated lumber.
- To reduce your exposure to these chemicals, wear approved safety equipment such as dust masks that are specially designed to filter out microscopic particles.
- **Avoid prolonged contact with dust from power sanding, sawing, grinding, drilling, and other construction activities. Wear protective clothing and wash exposed areas with soap and water.** Allowing dust to get into your mouth, eyes, or lay on the skin may promote absorption of harmful chemicals.
-  **WARNING:** Use of this tool can generate and/or disburse dust, which may cause serious and permanent respiratory or other injury. Always use NIOSH/OSHA approved respiratory protection



appropriate for the dust exposure. Direct particles away from face and body.



**CAUTION:** Wear appropriate personal hearing protection during use. Under some conditions and duration of use, noise from this product may contribute to hearing loss.

## Before Operating Pole Saw

- **For safe operation, read and understand all instructions before using the pole saw.** Follow all safety instructions. Failure to follow all safety instructions listed below, can result in serious personal injury.
- **Watch what you are doing.** Use common sense. Do not operate pole saw when you are tired.
- **Use pole saw for cutting tree branches only.** Do not use pole saw for purposes not intended. Do not use for cutting other items.
- **Only well-instructed adults should operate pole saw.** Never allow children to operate.
- **Do not allow children or untrained individuals to use this unit.**
- Wear the following safety gear when operating pole saw:
  - heavy-duty gloves
  - steel-toed safety footwear with non-skid soles
  - safety glasses, goggles or face screen that are marked to comply with ANSI Z87
  - safety hard hat that is marked to comply with ANSI Z89.1
  - ear muffs or ear plugs
  - face or dust mask (if working in dusty areas)
- **Wear heavy long pants and boots.** Do not wear loose fitting clothing, short pants, jewelry of any kind, or go barefoot.
- Secure long hair so it is above shoulder level to prevent entanglement in any moving parts.
- Before cutting, always provide the following:
  - clear work area
  - secure footing
  - planned retreat path from falling limbs
- Inspect tree before trimming. Make allowance for branches to fall freely to the ground.
- Do not use your pole saw to fell saplings.

## While Operating Pole Saw



**DANGER: To reduce the risk of electric shock do not use on wet surfaces.** Do not expose to rain. Store indoors.



**DANGER: Avoid Unintentional Starting** – with battery installed, don't carry appliance with with finger on switch. Be sure switch is off when installing battery.

- Stay alert. Use common sense while operating the unit.
- Keep work area clean. Cluttered areas invite injuries.
- Always remove battery from pole saw when finished cutting or when left unattended.


- Keep children, animals and bystanders at least 50' (15 m) away from pole saw. Only pole saw user should be in work area.
- Do not use the pole saw to cut down trees.
- Do not grasp the exposed saw chain when picking up or holding the pole saw.
- Grip pole saw securely - one hand on the pole, the other on the handle.
- Keep finger off trigger until ready to make cut.
- Before starting pole saw, make sure chain is not touching anything.
- Keep all parts of body away from chain when pole saw is running.
- Do not force pole saw while cutting. Apply light pressure. It will do the job better and safer at the rate for which it was intended.
- Carry pole saw from one place to another:
  - with battery removed,
  - fingers off/away from trigger,
  - by holding pole at balance point, and
  - with guide bar and chain to rear and with scabbard attached.
- Do not cut small brush and saplings with the pole saw. Slender matter may catch in the chain and be whipped toward you. This could also pull you off balance.
- Do not operate in poor lighting.
- Keep firm footing and balance. Do not overreach. Overreaching can result in loss of balance or exposure to hot surfaces.
- Keep all parts of your body away from any moving part.
- Do not, under any circumstance, use any attachment or accessory on this product, which was not provided with the product, or identified as appropriate for use with this product in this instruction manual.
- Inspect pole saw before each use and after dropping or other impacts. Ensure there are no significant defects or damage.

## Do Not Operate Pole Saw:

- while under the influence of alcohol, medication, or drugs.
- in rain or in damp or wet areas.
- where highly flammable liquids or gases are present.
- if pole saw is damaged, adjusted incorrectly, or not fully and securely assembled.
- if trigger does not turn pole saw on and off. Chain must stop moving when you release trigger. Have faulty switch replaced by authorized service center. See **Accessories** under **Maintenance**.
- while in a hurry.
- while in a tree or on a ladder.
- while on aerial booms, buckets or platforms.
- during high wind or storming weather.

## GENERAL SAFETY RULES

 **DANGER: Shock Hazard.** Serious injury or death from electrocution if power lines are contacted. Never use near any electrical source, wires, or power lines.


 **WARNING: For safe operation read and understand owner's manual.** Wear face shield (and/or safety glasses) and hard hat to protect against falling debris. Always have a clear work area, retreat path, and be aware of limb/branch location to avoid falling limbs and debris. Keep bystanders 50 ft (15 m) away when operating saw. To reduce the risk of electric shock do not use on wet surfaces. Do not expose to rain. Store indoors.


- To protect yourself from falling branches do not stand directly under the branch or limb being cut. This unit should not be held at an angle over 60° from ground level.
- Keep the handles dry, clean, and free of oil.
- Before you start the unit, make sure the chain is not contacting any object.
- Make sure the cutting chain has stopped before setting the unit down.

## Service

- Tool service must be performed only by qualified repair personnel. Service or maintenance performed by unqualified personnel could result in a risk of injury. Refer to the **Maintenance** section of this manual.
- When servicing a tool, use only identical replacement parts. Follow instructions in the **Maintenance** section of this manual. Use of unauthorized parts or failure to follow maintenance instructions may create a risk of electric shock or injury.

## Guard Against Kickback


 **WARNING:** KICKBACK may occur when the nose or tip of the guide bar touches an object, or when the wood closes in and pinches the saw chain in the cut. Tip contact in some cases may cause a lightning fast reverse reaction, kicking the guide bar up and back towards the operator. Pinching the saw chain along the top of the guide bar may push the guide bar rapidly back towards the operator. Either of these reactions may cause you to lose control of the saw which could result in serious injury to user.

 **The following precautions should be followed to minimize kickback:**

- Grip pole saw firmly. Hold the saw firmly with both hands when the unit is running. Use a firm grip with thumbs and fingers encircling the saw handle and pole.
- Do not overreach.
- Keep proper footing and balance at all times.
- Don't let the nose of the guide bar contact a log, branch, ground or other obstruction.
- Do not extend pole saw handle above shoulder height.
- Use devices such as reduced kickback chain, chain braking system and special guide bars that reduce the risks associated with kickback.

- Only use replacement bars and chains specified by the manufacturer or the equivalent.
- Never let the moving chain contact any object at the tip of the guide bar.
- Keep the working area free from obstructions such as other trees, branches, rocks, fences, stumps, etc. Eliminate or avoid any obstruction that your saw chain could hit while you are cutting through a particular log or branch.
- Keep your saw chain sharp and properly tensioned. A loose or dull chain can increase the chance of kickback. Check tension at regular intervals with the motor stopped and battery removed.
- Begin and continue cutting only with the chain moving at full speed. If the chain is moving at a slower speed, there is a greater chance for kickback to occur.
- Cut one branch at a time.
- Use extreme caution when re-entering a previous cut. Engage spiked bumpers into wood and allow chain to reach full speed before proceeding with cut.
- Do not attempt plunge cuts or bore cuts.
- Watch for shifting branches or other forces that could close a cut and pinch or fall into chain.

## Kickback Safety Features

 **WARNING:** The following features are included on your pole saw to help reduce the hazard of kickback; however such features will not totally eliminate this dangerous reaction. As a pole saw user do not rely only on safety devices. You must follow all safety precautions, instructions, and maintenance in this manual to help avoid kickback and other forces which can result in serious injury.

- **Reduced-Kickback Guide Bar**, designed with a small radius tip which reduces the size of the kickback danger zone on bar tip. A reduced-kickback guide bar is one which has been demonstrated to significantly reduce the number and seriousness of kickbacks when tested in accordance with safety requirements for electric chain saws.
- **Reduced Kickback Chain**, designed with a contoured depth gauge and guard link which deflect kickback force and allow wood to gradually ride into the cutter. A reduced-kickback chain is a chain which has met kickback performance requirements of ANSI B175.1-2012, when tested on the representative sample of chain saws.

## Pole Saw Names and Terms




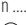









- **Drive Sprocket or Sprocket** - The toothed part that drives the saw chain.
- **Guide Bar** - A solid railed structure that supports and guides the saw chain.
- **Guide Bar Scabbard** - Enclosure fitted over guide bar to prevent tooth contact when saw is not in use.
- **Kickback** - The backward or upward motion, or both of the guide bar occurring when the saw chain near the nose of the top area of the guide bar contacts any object such as a log or branch, or when the wood closes in and pinches the saw chain in the cut.

- **Reduced Kickback Chain** - A chain that complies with the kickback performance requirements of ANSI B175.1–2012. (when tested on a representative sample of chain saws.
- **Reduced Kickback Guide Bar** - A guide bar which has been demonstrated to reduce kickback significantly.
- **Replacement Saw Chain** - A chain that complies with kickback performance requirements of ANSI B175.1–2012. when tested with specific chain saws. It may not meet the ANSI performance requirements when used with other saws.
- **Saw Chain** - A loop of chain having cutting teeth, that cut the wood, and that is driven by the motor and is supported by the guide bar.
- **Spiked Bumper (Spike)** - The pointed tooth or teeth for use when pruning to pivot the saw and maintain position while sawing.
- **Switch** - A device that when operated will complete or interrupt an electrical power circuit to the motor of the chain saw.
- **Switch Lockout** - A movable stop that prevents the unintentional operation of the switch until manually actuated.
- **Trimming (Pruning)** - Process of cutting limbs from a tree.
- **Undercut** - An upward cut from underside of a log or limb. This is done while in normal cutting position and cutting with top of guide bar.

## Storage

1. **Store indoors.** The best storage place is one that is cool and dry away from direct sunlight, excess heat or cold and out of the reach of children.
2. **Always reduce the tension off the chain again after finishing work. The chain contracts as it cools down.** If tension is not reduced, it can damage the saw.

The label on your tool may include the following symbols. The symbols and their definitions are as follows:

V .....	volts	 or AC/DC...	alternating or direct current
Hz .....	hertz		Class II Construction (double insulated)
min .....	minutes		$n_0$ ..... no load speed
— — — or DC.....	direct current		$n$ ..... rated speed
 .....	Class I Construction (grounded)		..... earthing terminal
.../min.....	per minute		..... safety alert symbol
BPM .....	beats per minute		..... visible radiation
IPM .....	impacts per minute		..... wear respiratory protection
RPM .....	revolutions per minute		..... wear eye protection
sfpm .....	surface feet per minute		..... wear hearing protection
SPM .....	strokes per minute		..... read all documentation
A .....	amperes		
W .....	watts		
 or AC.....	alternating current		

## BATTERIES AND CHARGERS

The battery pack is not fully charged out of the carton. Before using the battery pack and charger, read the safety instructions below and then follow charging procedures outlined. When ordering replacement battery packs, be sure to include the catalog number and voltage. Your tool uses a DEWALT charger. Be sure to read all safety instructions before using your charger. Consult the chart at the end of this manual for compatibility of chargers and battery packs.

### READ ALL INSTRUCTIONS

## Important Safety Instructions for All Battery Packs



**WARNING: Read all safety warnings and all instructions for the battery pack, charger and power tool. Failure to follow the warnings and instructions may result in electric shock, fire and/or serious injury.**

- **Do not charge or use the battery pack in explosive atmospheres, such as in the presence of flammable liquids, gases or dust.** Inserting or removing the battery pack from the charger may ignite the dust or fumes.
- **NEVER force the battery pack into the charger. DO NOT modify the battery pack in any way to fit into a non-compatible charger as battery pack may rupture causing serious personal injury.** Consult the chart at the end of this manual for compatibility of batteries and chargers.
- Charge the battery packs only in designated DEWALT chargers.
- **DO NOT** splash or immerse in water or other liquids.
- **Do not store or use the tool and battery pack in locations where the temperature may reach or exceed 104 °F (40 °C) (such as outside sheds or metal buildings in summer).** For best life store battery packs in a cool, dry location.  
**NOTE: Do not store the battery packs in a tool with the trigger switch locked on. Never tape the trigger switch in the ON position.**
- **Do not expose battery pack or tool/appliance to fire or excessive temperature.** Exposure to fire or temperature above 265°F (130°C) may cause explosion.
- **Do not incinerate the battery pack even if it is severely damaged or is completely worn out.** The battery pack can explode in a fire. Toxic fumes and materials are created when lithium ion battery packs are burned.
- **If battery contents come into contact with the skin, immediately wash area with mild soap and water.** If battery liquid gets into the eye, rinse water over the open eye for 15 minutes or until irritation ceases. If medical attention is needed, the battery electrolyte is composed of a mixture of liquid organic carbonates and lithium salts.
- **Contents of opened battery cells may cause respiratory irritation.** Provide fresh air. If symptoms persist, seek medical attention.

## ENGLISH

**WARNING:** Burn hazard. Battery liquid may be flammable if exposed to spark or flame.

**WARNING:** Fire hazard. Never attempt to open the battery pack for any reason. If the battery pack case is cracked or damaged, do not insert into the charger. Do not crush, drop or damage the battery pack. Do not use a battery pack or charger that has received a sharp blow, been dropped, run over or damaged in any way (e.g., pierced with a nail, hit with a hammer, stepped on). Damaged battery packs should be returned to the service center for recycling.

## Transportation

**WARNING:** Fire hazard. Do not store or carry the battery pack so that metal objects can contact exposed battery terminals. For example, do not place the battery pack in aprons, pockets, tool boxes, product kit boxes, drawers, etc., with loose nails, screws, keys, etc. **Transporting batteries can possibly cause fires if the battery terminals inadvertently come in contact with conductive materials such as keys, coins, hand tools and the like.** The US Department of Transportation Hazardous Material Regulations (HMR) actually prohibit transporting batteries in commerce or on airplanes in carry-on baggage UNLESS they are properly protected from short circuits. So when transporting individual battery packs, make sure that the battery terminals are protected and well insulated from materials that could contact them and cause a short circuit.

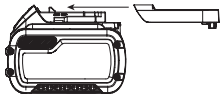
**NOTE:** Lithium-ion batteries should not be put in checked baggage.

## Shipping the DeWALT FLEXVOLT™ Battery

The DeWALT FLEXVOLT™ battery has two modes: **Use** and **Shipping**.

**Use Mode:** When the FLEXVOLT™ battery stands alone or is in a DeWALT 20V Max\* product, it will operate as a 20V Max\* battery. When the FLEXVOLT™ battery is in a 60V Max\* or a 120V Max\* (two 60V Max\* batteries) product, it will operate as a 60V Max\* battery.

**Shipping Mode:** When the cap is attached to the FLEXVOLT™ battery, the battery is in Shipping Mode. Strings of cells are



electrically disconnected within the pack resulting in three batteries with a lower Watt hour (Wh) rating as compared to one battery with a higher Watt hour rating. This increased quantity of three batteries with the lower Watt hour rating can exempt the pack from certain shipping regulations that are imposed upon the higher Watt hour batteries.

The battery label indicates two Watt hour ratings (see example). Depending on how the battery is shipped, the appropriate Watt hour rating must be used to determine the applicable shipping requirements. If utilizing the shipping cap, the pack will be considered 3 batteries at the Watt hour rating indicated for "Shipping". If shipping without the cap or in a tool, the pack will be considered one battery at the Watt hour rating indicated next to "Use".

Example of Use and Shipping Label Marking

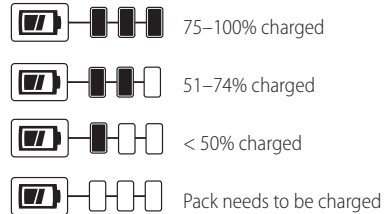
**USE: 120 Wh Shipping: 3 x 40 Wh**

For example, Shipping Wh rating might indicate 3 x 40 Wh, meaning 3 batteries of 40 Watt hours each. The Use Wh rating might indicate 120 Wh (1 battery implied).

## Fuel Gauge Battery Packs

Some DeWALT battery packs include a fuel gauge which consists of three green LED lights that indicate the level of charge remaining in the battery pack.

The fuel gauge is an indication of approximate levels of charge remaining in the battery pack according to the following indicators:



To actuate the fuel gauge, press and hold the fuel gauge button. A combination of the three green LED lights will illuminate designating the level of charge left. When the level of charge in the battery is below the usable limit, the fuel gauge will not illuminate and the battery will need to be recharged.

**NOTE:** The fuel gauge is only an indication of the charge left on the battery pack. It does not indicate tool functionality and is subject to variation based on product components, temperature and end-user application.

For more information regarding fuel gauge battery packs, please call 1-800-4-DEWALT (1-800-433-9258) or visit our website [www.dewalt.com](http://www.dewalt.com).

## The RBRC® Seal

The RBRC® (Rechargeable Battery Recycling Corporation) Seal on the nickel cadmium, nickel metal hydride or lithium-ion batteries (or battery packs) indicates that the costs to recycle these batteries (or battery packs) at the end of their useful life have already been paid by DeWALT. In some areas, it is illegal to place spent nickel cadmium, nickel metal hydride or lithium-ion batteries in the trash or municipal solid waste stream and the Call 2 Recycle® program provides an environmentally conscious alternative.

Call 2 Recycle, Inc., in cooperation with DeWALT and other battery users, has established the program in the United States and Canada to facilitate the collection of spent nickel cadmium, nickel metal hydride or lithium-ion batteries. Help protect our environment and conserve natural resources by returning the spent nickel cadmium, nickel metal hydride or lithium-ion batteries to an authorized DeWALT service center or to your local retailer for recycling. You may also contact your local recycling center for information on where to drop off the spent battery. RBRC® is a registered trademark of Call 2 Recycle, Inc.



## Important Safety Instructions for All Battery Chargers

**⚠️ WARNING:** Read all safety warnings and all instructions for the battery pack, charger and power tool. Failure to follow the warnings and instructions may result in electric shock, fire and/or serious injury.

- **DO NOT attempt to charge the battery pack with any chargers other than the ones in this manual.** The charger and battery pack are specifically designed to work together.
- **These chargers are not intended for any uses other than charging DeWALT rechargeable batteries.** Any other uses may result in risk of fire, electric shock or electrocution.
- **Do not expose the charger to rain or snow.**
- **Pull by the plug rather than the cord when disconnecting the charger.** This will reduce the risk of damage to the electric plug and cord.
- **Make sure that the cord is located so that it will not be stepped on, tripped over or otherwise subjected to damage or stress.**
- **Do not use an extension cord unless it is absolutely necessary.** Use of improper extension cord could result in risk of fire, electric shock or electrocution.
- **When operating a charger outdoors, always provide a dry location and use an extension cord suitable for outdoor use.** Use of a cord suitable for outdoor use reduces the risk of electric shock.
- **An extension cord must have adequate wire size (AWG or American Wire Gauge) for safety.** The smaller the gauge number of the wire, the greater the capacity of the cable, that is, 16 gauge has more capacity than 18 gauge. An undersized cord will cause a drop in line voltage resulting in loss of power and overheating. When using more than one extension to make up the total length, be sure each individual extension contains at least the minimum wire size. The following table shows the correct size to use depending on cord length and nameplate ampere rating. In if doubt, use the next heavier gauge. The lower the gauge number, the heavier the cord.

Minimum Gauge for Cord Sets

Volts		Total Length of Cord in Feet (meters)			
120 V		25 (7.6)	50 (15.2)	100 (30.5)	150 (45.7)
240 V		50 (15.2)	100 (30.5)	200 (61.0)	300 (91.4)
Ampere Rating		American Wire Gauge			
More Than	Not More Than				
0	6	18	16	16	14
6	10	18	16	14	12
10	12	16	16	14	12
12	16	14	12	Not Recommended	

- **Do not place any object on top of the charger or place the charger on a soft surface that might block the ventilation slots and result in excessive internal**

**heat.** Place the charger in a position away from any heat source. The charger is ventilated through slots in the top and the bottom of the housing.

- **Do not operate the charger with a damaged cord or plug.**
- **Do not operate the charger if it has received a sharp blow, been dropped or otherwise damaged in any way.** Take it to an authorized service center.
- **Do not disassemble the charger; take it to an authorized service center when service or repair is required.** Incorrect reassembly may result in a risk of electric shock, electrocution or fire.
- **Disconnect the charger from the outlet before attempting any cleaning. This will reduce the risk of electric shock.** Removing the battery pack will not reduce this risk.
- **NEVER attempt to connect 2 chargers together.**
- **The charger is designed to operate on standard 120V household electrical power. Do not attempt to use it on any other voltage.** This does not apply to the vehicular charger.

**⚠️ WARNING:** Shock hazard. Do not allow any liquid to get inside the charger. Electric shock may result.

**⚠️ WARNING:** Burn hazard. Do not submerge the battery pack in any liquid or allow any liquid to enter the battery pack. Never attempt to open the battery pack for any reason. If the plastic housing of the battery pack breaks or cracks, return to a service center for recycling.

**⚠️ CAUTION:** Burn hazard. To reduce the risk of injury, charge only DeWALT rechargeable battery packs. Other types of batteries may overheat and burst resulting in personal injury and property damage.

**NOTICE:** Under certain conditions, with the charger plugged into the power supply, the charger can be shorted by foreign material. Foreign materials of a conductive nature, such as, but not limited to, grinding dust, metal chips, steel wool, aluminum foil or any buildup of metallic particles should be kept away from the charger cavities. Always unplug the charger from the power supply when there is no battery pack in the cavity. Unplug the charger before attempting to clean.

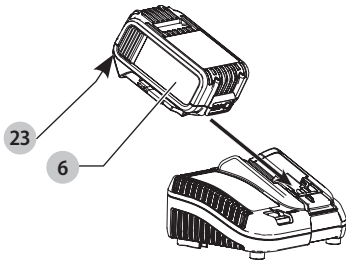
## Charging a Battery

1. Plug the charger into an appropriate outlet before inserting battery pack.
2. Insert the battery pack **6** into the charger, making sure the battery pack is fully seated in the charger. The red (charging) light will blink continuously indicating that the charging process has started.
3. The completion of charge will be indicated by the red light remaining ON continuously. The battery pack is fully charged and may be used at this time or left in the charger. To remove the battery pack from the charger, push the battery release button **23** on the battery pack and then slide the battery pack out of the charger.



## ENGLISH

**NOTE:** To ensure maximum performance and life of lithium-ion battery packs, charge the battery pack fully before first use.



## Charger Operation

Refer to the indicators below for the charge status of the battery pack.

DCB107, DCB112, DCB113, DCB115, DCB118, DCB132

	Charging	--- ---	
	Fully Charged	=====	
	Hot/Cold Pack Delay*	--- ---	

\***DCB107, DCB112, DCB113, DCB115, DCB118, DCB132:** The red light will continue to blink, but a yellow indicator light will be illuminated during this operation. Once the battery pack has reached an appropriate temperature, the yellow light will turn off and the charger will resume the charging procedure.

The compatible charger(s) will not charge a faulty battery pack. The charger will indicate faulty battery pack by refusing to light.

**NOTE:** This could also mean a problem with a charger. If the charger indicates a problem, take the charger and battery pack to be tested at an authorized service center.

### Hot/Cold Pack Delay

When the charger detects a battery pack that is too hot or too cold, it automatically starts a Hot/Cold Pack Delay, suspending charging until the battery pack has reached an appropriate temperature. The charger then automatically switches to the pack charging mode. This feature ensures maximum battery pack life.

A cold battery pack will charge at a slower rate than a warm battery pack. The battery pack will charge at that slower rate throughout the entire charging cycle and will not return to maximum charge rate even if the battery pack warms.

The DCB118 charger is equipped with an internal fan designed to cool the battery pack. The fan will turn on automatically when the battery pack needs to be cooled.

Never operate the charger if the fan does not operate properly or if ventilation slots are blocked. Do not permit foreign objects to enter the interior of the charger.

### Electronic Protection System

Li-Ion tools are designed with an Electronic Protection System that will protect the battery pack against overloading, overheating or deep discharge.

The tool will automatically turn off if the Electronic Protection System engages. If this occurs, place the lithium-ion battery pack on the charger until it is fully charged.

## Wall Mounting

**DCB107, DCB112, DCB113, DCB115, DCB118, DCB132**

These chargers are designed to be wall mountable or to sit upright on a table or work surface. If wall mounting, locate the charger within reach of an electrical outlet, and away from a corner or other obstructions which may impede air flow. Use the back of the charger as a template for the location of the mounting screws on the wall. Mount the charger securely using drywall screws (purchased separately) at least 1" (25.4 mm) long, with a screw head diameter of 0.28–0.35" (7–9 mm), screwed into wood to an optimal depth leaving approximately 7/32" (5.5 mm) of the screw exposed. Align the slots on the back of the charger with the exposed screws and fully engage them in the slots.

## Charger Cleaning Instructions

**⚠ WARNING:** Shock hazard. Disconnect the charger from the AC outlet before cleaning. Dirt and grease may be removed from the exterior of the charger using a cloth or soft non-metallic brush. Do not use water or any cleaning solutions.

## Important Charging Notes

1. Longest life and best performance can be obtained if the battery pack is charged when the air temperature is between 65 °F and 75 °F (18 ° – 24 °C). DO NOT charge the battery pack below +40 °F (+4.5 °C), or above +104 °F (+40 °C). This is important and will prevent serious damage to the battery pack.
2. The charger and battery pack may become warm to the touch while charging. This is a normal condition, and does not indicate a problem. To facilitate the cooling of the battery pack after use, avoid placing the charger or battery pack in a warm environment such as in a metal shed or an uninsulated trailer.
3. If the battery pack does not charge properly:
  - a. Check operation of receptacle by plugging in a lamp or other appliance;
  - b. Check to see if receptacle is connected to a light switch which turns power off when you turn out the lights;
  - c. Move the charger and battery pack to a location where the surrounding air temperature is approximately 65 °F – 75 °F (18 ° – 24 °C);
  - d. If charging problems persist, take the tool, battery pack and charger to your local service center.
4. The battery pack should be recharged when it fails to produce sufficient power on jobs which were easily done previously. DO NOT CONTINUE to use under these conditions. Follow the charging procedure. You may also

- charge a partially used pack whenever you desire with no adverse effect on the battery pack.
- Foreign materials of a conductive nature such as, but not limited to, grinding dust, metal chips, steel wool, aluminum foil, or any buildup of metallic particles should be kept away from charger cavities. Always unplug the charger from the power supply when there is no battery pack in the cavity. Unplug the charger before attempting to clean.
  - Do not freeze or immerse the charger in water or any other liquid.

## Storage Recommendations

- The best storage place is one that is cool and dry, away from direct sunlight and excess heat or cold.
- For long storage, it is recommended to store a fully charged battery pack in a cool dry place out of the charger for optimal results.

**NOTE:** Battery packs should not be stored completely depleted of charge. The battery pack will need to be recharged before use.

## SAVE THESE INSTRUCTIONS FOR FUTURE USE

## Intended Use

This pole saw is ideal for pruning applications and cutting limbs up to 8" (203 mm) in diameter.

**DO NOT** use under wet conditions or in presence of flammable liquids or gases.

This pole saw is a professional power tool. **DO NOT** let children come into contact with the tool. Supervision is required when in experienced operators use this tool.

## ASSEMBLY AND ADJUSTMENTS

**WARNING:** To reduce the risk of serious personal injury, turn unit off and remove the battery pack before making any adjustments or removing/installing attachments or accessories. An accidental start-up can cause injury.

## Installing and Removing Saw Chain

(Fig. A–D)

**WARNING:** Sharp moving blade. To prevent accidental operation, insure that battery is disconnected from the handle before performing the following operations. Failure to do this could result in serious personal injury.

**CAUTION:** Sharp moving blade. Always wear protective gloves when installing or removing the chain. The chain is sharp and can cut you when it is not running.

- Place the pole saw on a firm surface. Rotate the two hex head screws **12** counterclockwise with the hex wrench **16** provided.
- Remove sprocket cover **11**, bar clamp **10**, and hex head screws.

- To remove the saw chain **14**, rotate the chain tension screw **19** in the front of the housing using the flat screwdriver end of the wrench. Turning the screw counterclockwise allows the guide bar **13** to recede and reduces the tension on the chain so that it may be removed.
- Lift the worn saw chain out of the groove in the guide bar.
- Flip guide bar over.
- To replace the saw chain, check to make sure that the slot in the guide bar is over the location pins **20** shown in Figure D and that hole below the slot is located over the adjustment pin.
- Place new chain in groove of guide bar and around sprocket. Make sure saw teeth are facing correct direction by matching the graphic on housing or guide bar.
- Rotate the chain tension screw **19** in the front of the saw housing clockwise to increase the chain tension.
- Replace sprocket cover, bar clamp, and hex head screws.
- Follow the instructions in the section **Adjusting Chain Tension**.

Fig. B

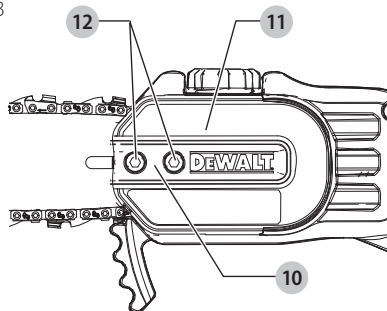


Fig. C

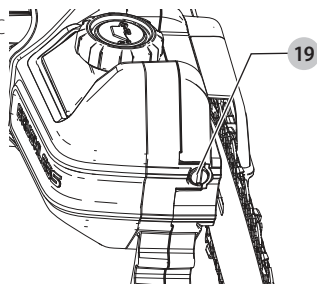
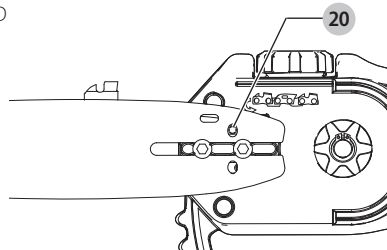


Fig. D



## Adjusting Chain Tension (Fig. A, C, E, F)

1. With the pole saw still on a firm surface check the saw chain **14** tension. The tension is correct when the saw chain snaps back after being pulled 1/8" (3 mm) away from the guide bar **13** with light force from the middle finger and thumb as shown in Figure E. There should be no "sag" between the guide bar and the saw chain on the underside as shown in Figure F.
2. To adjust saw chain tension, loosen hex head screws **12**.
3. Rotate the chain tension screw **19** in the front of the housing using the flat screwdriver end of the wrench.
4. Do not over-tension the saw chain as this will lead to excessive wear and will reduce the life of the guide bar and saw chain. Overtensioning also reduces the amount of cuts you will get per battery charge.
5. Once saw chain tension is correct, tighten hex head screws **12** to clamp bar.
6. When the saw chain is new check the tension frequently (after disconnecting battery) during the first 2 hours of use as a new chain stretches slightly.

**NOTE:** Saw chain tension should be adjusted regularly.

Fig. E

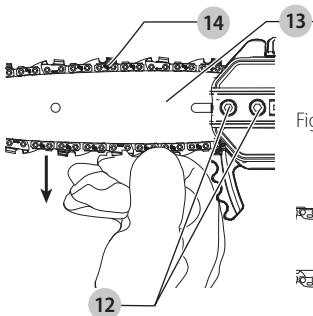
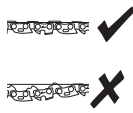


Fig. F



## Saw Chain and Guide Bar Oiling (Fig. G)

### Auto Oiling System

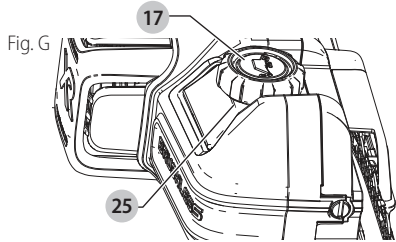
This pole saw is equipped with an auto oiling system that keeps the saw chain and guide bar constantly lubricated. The oil level indicator **25** shows the level of the oil in the chain saw. If the oil level is less than a quarter full, remove the battery from the pole saw and refill with the correct type of oil.

**NOTE:** Always empty oil tank when finished cutting.

**NOTE:** Use a high quality bar and chain oil for proper chain and bar lubrication. As a temporary substitute, a non-detergent SAE30 weight motor oil can be used. The use of a vegetable based bar and chain oil is recommended when pruning trees. Mineral oil is not recommended because it may harm trees. Never use waste oil or very thick oil. These may damage your pole saw.

## Filling the Oil Reservoir

- Remove the oil cap **17** and fill the reservoir with the recommended bar and chain oil until the oil level has reached the top of the oil level indicator **25**.
- Refit the oil cap.
- Periodically switch the chain saw off and check the oil level indicator to ensure the bar and chain are being properly oiled.



## Transporting Pole Saw (Fig. A)

Always remove the battery pack **6** from the handle and cover the saw chain **14** with the scabbard **15** when transporting the pole saw.

## Joining Saw Head Module to Handle Module (Fig. H–K)

**! WARNING:** Sharp moving blade. To prevent accidental operation, insure that battery is disconnected from the handle and that the protective scabbard is in place on the chain before performing the following operations. Failure to do this could result in serious personal injury.

The three assemblies which make up the pole saw are keyed to insure correct assembly. If an assembly does not smoothly attach to another do not force fit.

Combining the handle assembly **1** to the saw head assembly **3** creates a pole saw that is approximately 6' (1.8 m) in length as shown in Figure H.

To attach the handle assembly to the saw head assembly:

1. Align the groove **21** on the outside of the coupling end of the handle assembly **1** with the tongue **22** on the inside of the coupling end of the saw head assembly **3**. Refer to Figure I. Push the two sections completely together. Refer to Figure J.
2. Slide the threaded sleeve **9** on the saw head assembly down as far as possible and rotate the sleeve clockwise until it stops and completely covers the threads as shown in Figure K.

**! WARNING:** Always check to make sure that the sleeve is completely threaded on and that the red threads are no longer visible. Not threading the sleeve completely on could result in the assemblies becoming disconnected creating a hazardous condition. Periodically check the connections to insure that no red threads are visible.



Fig. H



Fig. I

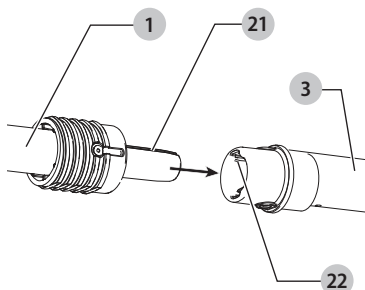


Fig. J

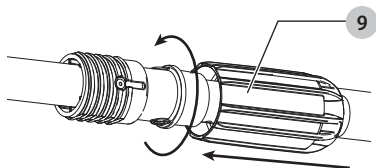
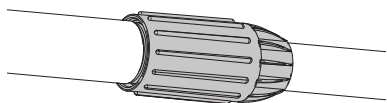


Fig. K



## Joining Center Extension to Saw Head Module and Handle Module (Fig. A, L)

Adding the center extension **2** to the handle assembly **1** and saw head assembly **3** creates a pole saw that is approximately 10' (3 m) in length as shown in Figure L.

Refer to **Joining Saw Head Module to Handle Module** for directions on how to attach the middle assembly to the handle assembly and saw head assembly.

Fig. L



**WARNING:** Always check to make sure that the sleeve is completely threaded on and that the red threads are no longer visible. Not threading the sleeve completely on could result in the assemblies becoming disconnected creating a hazardous condition. Periodically check the connections to insure that no red threads are visible.

## DISASSEMBLY

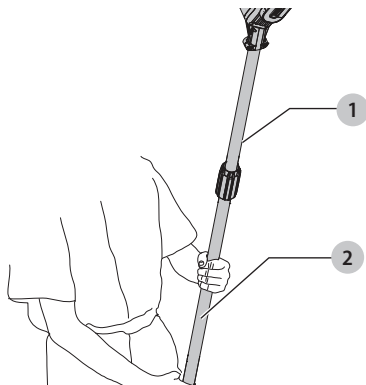
**WARNING:** To reduce the risk of serious personal injury, turn unit off and remove the battery pack before making any adjustments or removing/installing attachments or accessories. An accidental start-up can cause injury.

### Detaching Saw Head Module (Fig. M)

**WARNING:** Sharp moving blade. To prevent accidental operation, insure that battery is disconnected from the handle and that the protective scabbard is in place on the chain before performing the following operations. Failure to do this could result in serious personal injury.

When detaching the assemblies, whether it is in the two assembly or three assembly mode, always detach the saw head assembly **1** first. To do this, rest the handle assembly **2** on the ground and grasp the center of the saw head assembly with one hand as shown in Figure M. Use your other hand to loosen the threaded sleeve and then pull the two halves apart. Repeat this process if the center extension was attached.

Fig. M



## OPERATION

**WARNING:** To reduce the risk of serious personal injury, turn unit off and remove the battery pack before making any adjustments or removing/installing attachments or accessories. An accidental start-up can cause injury.

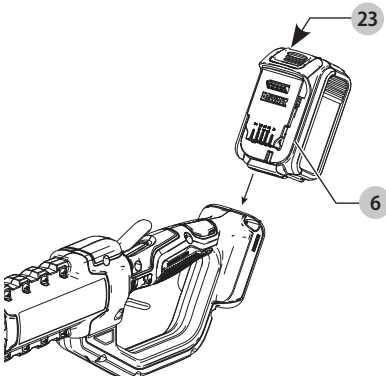
### Installing and Removing the Battery Pack (Fig. N)

**NOTE:** For best results, make sure your battery pack is fully charged.

To install the battery pack **6** into the tool handle, align the battery pack with the rails inside the tool's handle and slide it into the handle until the battery pack is firmly seated in the tool and ensure that it does not disengage.

To remove the battery pack from the tool, press the release button **23** and firmly pull the battery pack out of the tool handle. Insert it into the charger as described in the charger section of this manual.

Fig. N



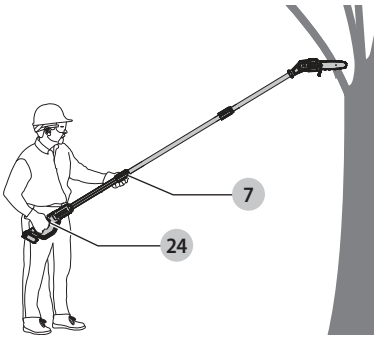
### Proper Hand Position (Fig. O)

**WARNING:** To reduce the risk of serious personal injury, **ALWAYS** use proper hand position as shown.

**WARNING:** To reduce the risk of serious personal injury, **ALWAYS** hold securely in anticipation of a sudden reaction.

Proper hand position requires one hand on the main handle (24) and one hand on the foam gripper (7).

Fig. O



### Operating the Pole Saw (Fig. A)

**WARNING:** Read and understand all instructions. Failure to follow all instructions listed below may result in electric shock, fire and/or serious personal injury.

**CAUTION:** Always reduce the tension off the chain again after finishing work. The chain contracts as it cools down. If it is not slackened off, it can damage the pole saw.

**IMPORTANT:** Never operate a pole saw that is damaged or improperly adjusted or that is not completely and securely assembled. Be sure that the saw chain (14) stops moving when the trigger switch is released. Never adjust the guide bar (13) or saw chain when the motor is operating or the battery is attached.

### Pole Saw Trimming/Pruning

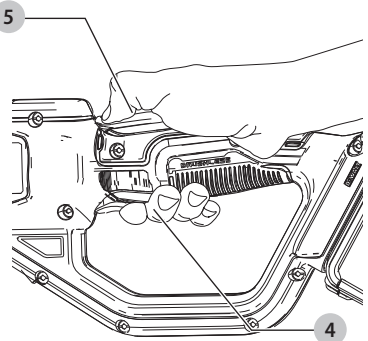
**WARNING:**

- **Never stand directly under the limb you are cutting.** Always position yourself out of the path of falling debris.
- **Always wear head, eye, foot and body protection.** Wearing body protection helps reduce the risk of injury when operating this unit.
- **Never stand on a ladder or other unstable support while using the pole saw.** Always avoid any position which can cause you to lose your balance and cause severe injury.
- **Keep other persons at least 50' (15 m) from the work area.** Distractions can cause you to lose control.
- **Electrocution Hazard.** To prevent shock, do not operate within 50' (15 m) of overhead electrical lines. Always check surrounding area for hidden electrical lines.
- **Do not extend pole saw switch handle above shoulder height.**

### On/Off Switch (Fig. P)

Always be sure of your footing and grip the pole saw firmly with both hands with the thumb and fingers encircling the handle. To turn the tool ON pull the lock button (5) back with your thumb and then squeeze the trigger switch (4) with your fingers as shown in Figure P. (Once the tool is running you can release the lock button.) To turn the tool OFF, release the trigger.

Fig. P



### Branch Removal Hook (Fig. A)

**CAUTION:** The branch removal hook is not a belt hook.

Your pole saw includes a branch removal hook (18) for the intended purpose of helping to remove small to moderately sized pruned branches.

## Pruning With the Pole Saw (Fig. A, O, Q)



**WARNING:** Let the tool work at its own pace.

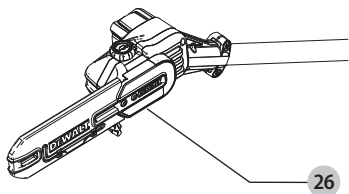
Do not overload.



**WARNING:** When pruning trees: guard against kickback which can result in severe injury or death. See **Guard Against Kickback**, to avoid the risk of kickback. Do not overreach. Make sure your footing is firm. Keep feet apart. Divide your weight evenly on both feet.

- Use both hands to grip pole saw as shown in Figure O. Use a firm grip. Thumbs and fingers must wrap around pole saw handle and pole. Keep fingers away from sawdust exhaust chute **26** shown in Figure Q.
- Never operate while in a tree, in any awkward position or on a ladder or other unstable surface. You may lose control of pole saw causing severe injury.
- Follow directions below to trim a tree.
  - Make sure pole saw is running at full speed before making a cut. When starting a cut, place moving saw chain **14** against limb. Hold pole saw firmly in place to avoid possible bouncing or skating (sideways movement) of pole saw.
  - Guide pole saw using light pressure. Make first cut 6" (152 mm) from tree trunk on underside of limb. Use top of guide bar **13** to make this cut. Cut 1/3 through diameter of limb. Then make the finish cut from the top. If you try to cut off thick branches from the bottom, the branch may close in and pinch the saw chain in the cut. If you try to cut off thick branches from the top, without a shallow undercut, the branch may splinter. Do not force pole saw. The motor will overload and can burn out. It will do the job better and safer at the rate for which it was intended.
  - Remove pole saw from cut while it is running at full speed. Stop pole saw by releasing trigger switch **4**. Make sure saw chain has stopped before setting pole saw down.

Fig. Q



## Saw Chain Sharpness



**CAUTION:** Sharp chain. Always wear protective gloves when handling the chain. The chain is sharp and can cut you when it is not running.

**IMPORTANT:** The chain cutters will dull immediately if they touch the ground, stones, masonry or a nail while cutting. To get the best possible performance from your chain saw it is important to keep the teeth of the saw chain sharp. Chain

sharpening services are available from your nearest DeWALT service center.

**NOTE:** Each time the saw chain is sharpened, it loses some of the reduced kickback qualities and extra caution should be used. It is recommended that a saw chain be sharpened no more than four times.

## MAINTENANCE



**WARNING:** To reduce the risk of serious personal injury, turn unit off and remove the battery pack before making any adjustments or removing/installing attachments or accessories. An accidental start-up can cause injury.

Regular maintenance ensures a long effective life for the tool. After every 10 minutes of use be sure to remove the battery (be aware the chain and bar can be hot!) check the bar and chain for correct tension and lubricate per **Adjusting Chain Tension** and **Chain Oiling**.

## Cleaning



**WARNING:** Blow dirt and dust out of all air vents with clean, dry air at least once a week. To minimize the risk of eye injury, always wear ANSI Z87.1 approved eye protection when performing this procedure.



**WARNING:** Never use solvents or other harsh chemicals for cleaning the non-metallic parts of the tool. These chemicals may weaken the plastic materials used in these parts. Use a cloth dampened only with water and mild soap. Never let any liquid get inside the tool; never immerse any part of the tool into a liquid.

## Accessories



**WARNING:** Since accessories, other than those offered by DeWALT, have not been tested with this product, use of such accessories with this tool could be hazardous. To reduce the risk of injury, only DeWALT recommended accessories should be used with this product.

Replacement chain and bar are available from your nearest DeWALT service center.

- DCPS620 requires replacement chain service part number DWO1DT608. Replacement 8" (203 mm) bar, service part number DWZCSB8.

Recommended accessories for use with your tool are available at extra cost from your local dealer or authorized service center. If you need assistance in locating any accessory, please contact DeWALT Industrial Tool Co., 701 East Joppa Road, Towson, MD 21286, call 1-800-4-DeWALT (1-800-433-9258) or visit our website: [www.dewalt.com](http://www.dewalt.com).

## Repairs

The charger and battery pack are not serviceable.



**WARNING:** To assure product SAFETY and RELIABILITY, repairs, maintenance and adjustment (including brush inspection and replacement, when applicable) should be performed by a DeWALT factory service center or a DeWALT authorized service center. Always use identical replacement parts.

## Register Online

Thank you for your purchase. Register your product now for:

- **WARRANTY SERVICE:** Registering your product will help you obtain more efficient warranty service in case there is a problem with your product.
- **CONFIRMATION OF OWNERSHIP:** In case of an insurance loss, such as fire, flood or theft, your registration of ownership will serve as your proof of purchase.
- **FOR YOUR SAFETY:** Registering your product will allow us to contact you in the unlikely event a safety notification is required under the Federal Consumer Safety Act.

Register online at [www.dewalt.com/register](http://www.dewalt.com/register).

## Three Year Limited Warranty

DeWALT will repair, without charge, any defects due to faulty materials or workmanship for three years from the date of purchase. This warranty does not cover part failure due to normal wear or tool abuse. For further detail of warranty coverage and warranty repair information, visit [www.dewalt.com](http://www.dewalt.com) or call 1-800-4-DeWALT (1-800-433-9258). This warranty does not apply to accessories or damage caused where repairs have been made or attempted by others. THIS LIMITED WARRANTY IS GIVEN IN LIEU OF ALL OTHERS, INCLUDING THE IMPLIED WARRANTY OF MERCHANTABILITY AND FITNESS FOR A PARTICULAR PURPOSE, AND EXCLUDES ALL INCIDENTAL OR CONSEQUENTIAL DAMAGES. Some states do not allow limitations on how long an implied warranty lasts or the exclusion or limitation of incidental or consequential damages, so these limitations may not apply to you. This warranty gives you specific legal rights and you may have other rights which vary in certain states or provinces.

In addition to the warranty, DeWALT tools are covered by our:

### 1 YEAR FREE SERVICE

DeWALT will maintain the tool and replace worn parts caused by normal use, for free, any time during the first year after purchase.

### 2 YEARS FREE SERVICE ON DEWALT BATTERY PACKS

DC9071, DC9091, DC9096, DC9182, DC9280, DC9360, DCB120, DCB127, DCB201, DCB203BT, DCB207, DCB361

### 3 YEARS FREE SERVICE ON DEWALT BATTERY PACKS

DCB200, DCB203, DCB204, DCB204BT, DCB205, DCB205BT, DCB206, DCB230, DCB606, DCB609, DCB612

**NOTE:** Battery warranty voided if the battery pack is tampered with in any way. DeWALT is not responsible for any injury caused by tampering and may prosecute warranty fraud to the fullest extent permitted by law.

### 90 DAY MONEY BACK GUARANTEE

If you are not completely satisfied with the performance of your DeWALT Power Tool, Laser, or Nailer for any reason, you can return it within 90 days from the date of purchase with a receipt for a full refund – no questions asked.

**LATIN AMERICA:** This warranty does not apply to products sold in Latin America. For products sold in Latin America, see country specific warranty information contained in the packaging, call the local company or see website for warranty information.

**FREE WARNING LABEL REPLACEMENT:** If your warning labels become illegible or are missing, call 1-800-4-DeWALT (1-800-433-9258) for a free replacement.

## TROUBLESHOOTING GUIDE

### BE SURE TO FOLLOW SAFETY RULES AND INSTRUCTIONS

For assistance with your product, visit our website at [www.dewalt.com](http://www.dewalt.com) for a list of service centers, or call DeWALT at 1-800-4-DeWALT (1-800-433-9258).

PROBLEM	POSSIBLE CAUSE	SOLUTION
Unit will not start.	Battery pack not installed properly.	Check battery pack installation.
	Battery pack not charged.	Check battery pack charging requirements.
	Lock button not actuated.	Pull back on lock button/actuate trigger.
	Pole connections not properly tightened.	Refer to <b>Joining Saw Head Module to Handle Module</b> .
Battery pack will not charge.	Battery pack not inserted into charger.	Insert battery pack into charger until LED illuminates.
	Charger not plugged in.	Plug charger into a working outlet. Refer to <b>Important Charging Notes</b> for more details.
	Surrounding air temperature too hot or too cold.	Move battery pack to a surrounding air temperature of above 40 °F (4.5 °C) or below 104 °F (+40 °C).
Bar/chain overheated.	Chain too tight.	Refer to <b>Adjusting Chain Tension</b> .
	Lubrication needed.	Refer to <b>Chain Oiling</b> .
Chain is loose.	Chain tension set incorrectly.	Refer to <b>Adjusting Chain Tension</b> .
Poor cut quality.	Chain tension set incorrectly.	Refer to <b>Adjusting Chain Tension</b> . <b>NOTE:</b> Excessive tension leads to excessive wear and reduction in life of bar & chain. Lubricate after every 10 minutes of use.
	Chain needs replacement.	Refer to <b>Installing and Removing Saw Chain</b> .
Unit runs but does not cut.	Chain installed backwards.	Refer to <b>Installing and Removing Saw Chain</b> .

## Définitions : symboles et termes d'alarmes sécurité

Ces guides d'utilisation utilisent les symboles et termes d'alarmes sécurité suivants pour vous prévenir de situations dangereuses et de risques de dommages corporels ou matériels.

**!** **DANGER** : indique une situation dangereuse imminente qui, si elle n'est pas évitée, **entraînera la mort ou des blessures graves.**

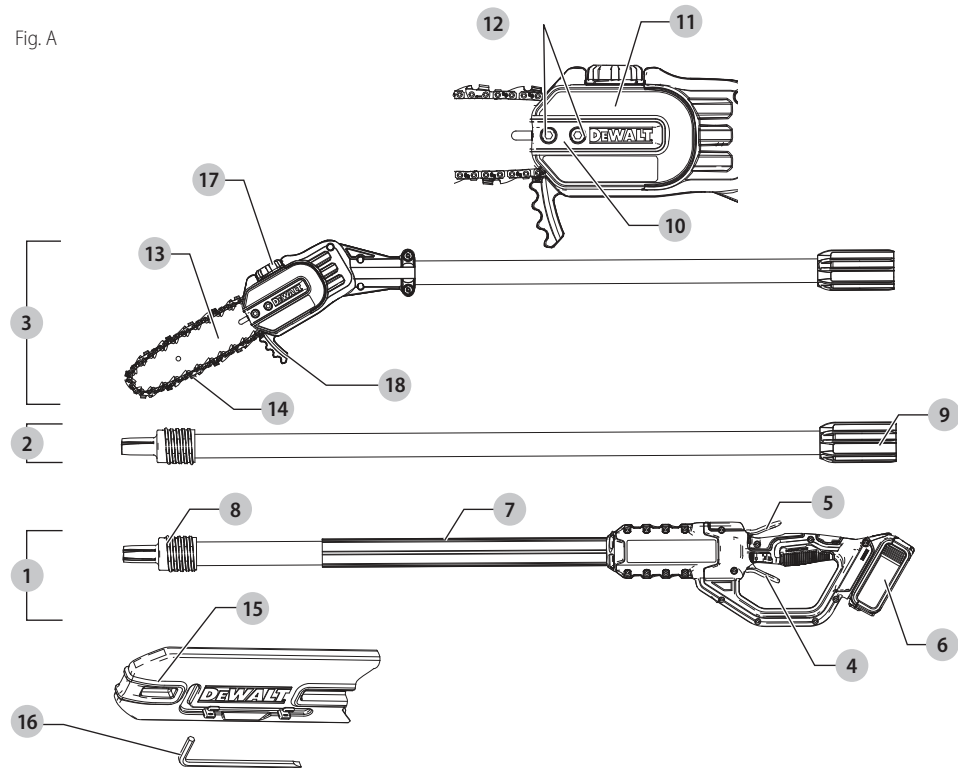
**!** **AVERTISSEMENT** : indique une situation potentiellement dangereuse qui, si elle n'est pas évitée, **pourrait entraîner la mort ou des blessures graves.**

**!** **ATTENTION** : indique une situation potentiellement dangereuse qui, si elle n'est pas évitée, **pourrait entraîner des blessures légères ou modérées.**

**!** (Si utilisé sans aucun terme) Indique un message propre à la sécurité.

**AVIS** : indique une pratique ne posant **aucun risque de dommages corporels** mais qui par contre, si rien n'est fait pour l'éviter, **pourrait poser des risques de dommages matériels.**

Fig. A



## COMPOSANTS

- |                                    |                                      |
|------------------------------------|--------------------------------------|
| 1 Assemblage de la poignée         | 10 Bride de serrage                  |
| 2 Manche extensible central        | 11 Capot du pignon                   |
| 3 Assemblage de la tête de la scie | 12 Vis à tête hexagonale             |
| 4 Gâchette                         | 13 Guide-chaîne                      |
| 5 Bouton de verrouillage           | 14 Scie à chaîne                     |
| 6 Pile                             | 15 Étui                              |
| 7 Outil de préhension en mousse    | 16 Clé hexagonale                    |
| 8 Manche fileté                    | 17 Capuchon de l'huile               |
| 9 Manchon fileté                   | 18 Crochet pour enlever les branches |

**!** **AVERTISSEMENT** : lisez tous les avertissements de sécurité et toutes les instructions. Ne pas suivre les avertissements et les instructions peut entraîner un choc électrique, un incendie et/ou des blessures graves.

**!** **AVERTISSEMENT** : pour réduire le risque de blessure, lisez le guide d'utilisation.

Pour toute question ou tout commentaire à propos de n'importe quel outil DeWALT, appelez-nous au numéro sans frais : 1-800-4-DeWALT (1-800-433-9258).

## CONSIGNES IMPORTANTES DE SÉCURITÉ



**AVERTISSEMENT :** afin de réduire le risque de blessure :

- Avant toute utilisation, assurez-vous que toutes les personnes qui utiliseront l'outil lisent et comprennent toutes les consignes de sécurité et les autres renseignements compris dans le présent manuel.
- Conservez ces instructions et consultez-les souvent.



**AVERTISSEMENT :** lors de l'utilisation d'outils de jardinage électriques, les mesures de précaution de base devraient toujours être prises pour réduire la possibilité d'incendie, de choc électrique et de blessures, en suivant les recommandations suivantes.

1. **Évitez les environnements dangereux :** ne pas utiliser des appareils dans des endroits humides ou mouillés.
2. **Ne pas utiliser sous la pluie.**
3. **Gardez les enfants éloignés :** tous les visiteurs devraient être gardés à une distance sécuritaire de l'aire de travail.
4. **Portez des vêtements appropriés :** ne pas porter des vêtements amples ou des bijoux. Ils peuvent se coincer dans les pièces qui se déplacent. L'utilisation de gants en caoutchouc et de très bonnes chaussures est recommandée lors du travail extérieur. Portez une protection pour vos cheveux afin de les retenir.
5. **Utilisez des lunettes de sécurité :** utilisez toujours un masque facial ou antipoussières s'il y a de la poussière durant l'utilisation.
6. **Utilisez le bon outil :** ne pas utiliser cet outil pour toute tâche autre que celles pour lesquelles il est conçu.
7. **Ne pas saisir les lames de coupe exposées ou les bords coupants lorsque vous prenez ou tenez l'appareil.**
8. **Ne pas forcer l'outil :** le travail sera mieux fait et avec moins de probabilité de risque à la vitesse pour laquelle il a été conçu.
9. **Ne pas s'étirer :** maintenez vos pieds bien d'aplomb sur le sol et un bon équilibre en tout temps.
10. **Demeurez vigilant :** regardez ce que vous faites. Faites preuve de bon sens. Ne pas utiliser l'appareil lorsque vous êtes fatigué.
11. **Débranchez l'outil :** retirez la pile lorsque vous n'utilisez pas l'outil, avant de réparer, lorsque vous changez les accessoires comme les lames et autres.
12. **Entreposez les outils arrêtés à l'intérieur :** lorsqu'ils ne sont pas utilisés, les outils doivent être entreposés à l'intérieur dans un endroit sec et élevé ou verrouillé hors de portée des enfants.
13. **Entretenez soigneusement l'outil :** gardez les bords coupants aiguisés et nettoyez pour une meilleure performance et afin de réduire le risque de blessure. Pour lubrifier l'outil et remplacer les accessoires, suivez les directives du manuel. Inspectez régulièrement la source d'alimentation et si elle est endommagée, faites-la réparer dans un établissement de services autorisé. Gardez vos mains sèches, propres et exemptes de graisse et de poussière.

14. **Vérifiez les pièces endommagées :** avant toute utilisation ultérieure de l'outil, un protecteur ou une autre pièce qui est endommagée doit être soigneusement vérifiée afin de déterminer s'il fonctionnera correctement et s'il effectuera la fonction prévue. Vérifiez l'alignement des pièces qui se déplacent, les fixations des pièces qui se déplacent, le bris des pièces, le montage et tout autre état qui peut affecter son utilisation. Un protecteur ou une autre pièce qui est endommagée doit être convenablement réparé ou remplacé par un centre de services autorisé sauf si c'est indiqué ailleurs dans ce manuel.

## CONSERVEZ CES INSTRUCTIONS



**AVERTISSEMENT :** ne pas utiliser près des lignes électriques. Cet appareil n'est pas conçu pour offrir une protection contre les chocs électriques en cas de contact avec des lignes électriques aériennes.

Consultez les réglementations locales concernant les distances sécuritaires des lignes électriques aériennes et assurez-vous que la position d'utilisation est sécuritaire avant d'utiliser l'échenilloir.

- **Gardez toutes les parties de votre corps loin de la chaîne de la scie. Ne pas retirer la matière coupée ou la matière maintenue à être coupée lorsque les lames sont en mouvement. Assurez-vous que la gâchette est fermée lorsque vous enlevez la matière coincée. Les lames glissent une fois l'outil éteint. Un moment d'inattention pendant l'utilisation de la scie à long manche peut entraîner une blessure corporelle grave.**
- **Transportez la scie à long manche par la poignée avec la scie à chaîne arrêtée.** Lors du transport ou de l'entreposage de la scie à chaîne, mettez toujours le capot de la scie à chaîne. Une manutention appropriée de la scie à long manche réduira une possible blessure corporelle due à la scie à chaîne.
- **Tenez l'outil électrique seulement les surfaces de prise isolées puisque la lame de coupe peut entrer en contact avec les câbles cachés.** Une scie à chaîne entrant un contact avec un câble « sous tension » peut exposer les pièces métalliques de l'outil « sous tension » et pourrait donner un choc électrique à l'utilisateur.
- **Ne pas utiliser la scie à long manche si les conditions météorologiques sont mauvaises, particulièrement s'il y a un risque de foudre.** Cela réduit le risque d'être frappé par la foudre.
- **Utilisez toujours les deux mains lorsque vous utilisez la scie à long manche.** Tenez la scie à long manche avec les deux mains pour éviter de perdre le contrôle.

**Utilisez toujours un casque protecteur lorsque vous utilisez la scie à long manche au-dessus de votre tête.** Les débris tombants peuvent entraîner une blessure corporelle grave.

## RÈGLES DE SÉCURITÉ SPÉCIFIQUES



**AVERTISSEMENT :** certaines poussières contiennent des produits chimiques reconnus dans l'État de la Californie pour causer le cancer et des anomalies congénitales ou autres effets nuisibles sur la reproduction. Certains exemples de ces produits chimiques sont :



- des composants de fertilisants,
- des composants d'insecticides, d'herbicides et de pesticides,
- l'arsenic et le chrome provenant du bois de construction traité chimiquement.

Pour réduire votre exposition à ces produits chimiques, porter un équipement de sécurité approuvé, comme un masque antipoussière spécialement conçu pour filtrer les particules microscopiques.

- **Évitez le contact prolongé avec la poussière provenant du ponçage mécanique, du sciage, de l'aiguisage, du perçage et d'autres activités de construction. Portez des vêtements protecteurs et lavez vos zones exposées avec du savon et de l'eau.**

Permettre à la poussière d'entrer dans votre bouche, vos yeux ou la laisser sur la peau peut favoriser l'absorption des produits chimiques dangereux.



**AVERTISSEMENT : L'utilisation de cet outil peut générer et/ou disperser de la poussière qui peut causer des lésions respiratoires graves et permanentes ou d'autres blessures.** Utilisez toujours une protection respiratoire approuvée par NIOSH/OSHA appropriée pour l'exposition à la poussière. Dirigez les particules loin du visage et du corps.



**ATTENTION :** Portez toujours des protecteurs pour les oreilles durant l'utilisation. Dans certaines conditions et selon la durée d'utilisation, le bruit provenant de ce produit peut contribuer à la perte de l'audition.

## Avant d'utiliser la scie à long manche

- **Pour une utilisation sécuritaire, lisez et comprenez toutes les instructions avant d'utiliser la scie à long manche.** Suivez toutes les consignes de sécurité. Ne pas suivre toutes les consignes de sécurité énumérées ci-dessous peut entraîner une blessure corporelle grave.
- **Regardez ce que vous faites.** Faites preuve de bon sens. Ne pas utiliser la scie à long manche lorsque vous êtes fatigué.
- **Utilisez la scie à long manche seulement pour couper les branches des arbres.** Ne pas utiliser la scie à long manche à des fins non prévues. Ne pas utiliser pour couper d'autres articles.
- **Seulement des adultes bien formés doivent utiliser la scie à long manche.** Ne jamais autoriser les enfants à l'utiliser.
- **Ne pas autoriser les enfants ou des personnes non formées à utiliser cet appareil.**
- Portez l'équipement de sécurité suivant lorsque vous utilisez la scie à long manche au-dessus de votre tête :
  - des gants de travail
  - des chaussures de sécurité à embout d'acier avec semelles antidérapantes
  - des lunettes de sécurité ou un écran facial conformes à la norme ANSI Z87
  - un casque de sécurité conforme à la norme ANSI Z89.1
  - des cache-oreilles ou des bouchons d'oreilles

- un masque facial ou antipoussières (si vous travaillez dans une zone poussiéreuse)

- **Portez les pantalons longs et des bottes lourds.** Ne pas porter de vêtements amples, de culotte courte, de bijoux quelconques ou se promener pieds nus.
- Attachez cheveux longs afin qu'ils soient au-dessus des épaules afin de prévenir l'emmêlement dans les pièces en mouvements.
- Avant de scier, prévoyez toujours les éléments suivants :
  - une aire de travail dégagée
  - les pieds bien d'aplomb
  - la trajectoire de retrait planifiée des branches tombantes
- Inspecter l'arbre avant de le couper. Tenez compte des branches qui tombent librement sur le sol.
- Ne pas utiliser la scie à long manche pour abattre les gaules.

## Pendant l'utilisation de la scie à long manche



**DANGER : Afin de réduire le risque de choc électrique, ne pas utiliser sur des surfaces mouillées.** Ne pas exposer à la pluie. Entreposez à l'intérieur.



**DANGER : Évitez le démarrage accidentel :** avec la pile installée, ne pas transporter l'appareil avec le doigt sur un bouton. Assurez-vous que la gâchette est éteinte avant d'installer la pile.

- Demeurez vigilant. Faites preuve de bon sens en utilisant l'appareil.
- Garder l'aire de travail propre. Les aires encombrées favorisent les blessures.
- Retirez toujours la pile de la scie à long manche lorsque vous avez terminé la coupe ou si vous la laissez sans surveillance.
- Gardez les enfants, les animaux et les passants à au moins 15 m (50 pi) de la scie à long manche. Seulement l'utilisateur de la scie à long manche doit être dans l'aire de travail.
- Ne pas utiliser la scie à long manche pour couper les arbres.
- Ne pas saisir la chaîne de la scie exposée ou lorsque vous prenez ou tenez la scie à long manche.
- Tenez la scie à long manche de façon sécuritaire : une main sur le manche, l'autre main sur la poignée.
- Gardez vos doigts à l'écart de la gâchette jusqu'à ce vous soyez prêt à couper.
- Avant de démarrer le scie à long manche, assurez-vous que la chaîne ne touche pas quoi que ce soit.
- Gardez toutes les parties de votre corps à l'écart de la chaîne lorsque la scie à long manche est en fonction.
- Ne pas forcer la scie à long manche pendant la coupe. Appliquez une pression légère. Elle travaillera mieux et sera plus sécuritaire à la vitesse pour laquelle elle a été conçue.
- Transportez la scie à long manche d'un endroit à l'autre :
  - avec la pile retirée,
  - les doigts à l'écart de la gâchette,
  - en tenant le manche au point d'équilibre et



- avec le guide-chaîne et la chaîne vers l'arrière et l'étui fixée.
- Ne pas couper de petites broussailles et des arbrisseaux avec la scie à long manche. La matière fine peut se prendre dans la chaîne et être projetée vers vous. Cela pourrait aussi vous faire perdre l'équilibre.
- Ne pas utiliser si les conditions d'éclairage sont mauvaises.
- Gardez les pieds et un équilibre bien solides. Ne pas trop s'étirer. Trop s'étirer peut entraîner une perte d'équilibre ou une exposition à des surfaces chaudes.
- Gardez toutes les parties de votre corps à l'écart de pièce en mouvement.
- Ne pas, en aucun cas, utiliser toute fixation sur ce produit qui n'est pas fournie avec ce produit ou identifiée comme appropriée pour l'utilisation avec ce produit dans ce manuel d'instructions.
- Inspectez la scie à long manche avant chaque utilisation et après l'avoir échappée ou d'autres impacts. Assurez-vous qu'il n'y a pas de défauts ou des dommages importants.
- Pour vous protéger contre les branches tombantes, ne pas demeurer debout directement sous la branche ou le limbe étant coupé. Cet outil ne doit être tenu à un angle de plus de 60° du niveau du sol.
- Gardez les poignées sèches, propres et exemptes d'huile.
- Avant de démarrer l'outil, assurez-vous que la chaîne n'est pas en contact avec tout objet.
- Assurez-vous la chaîne de coupe est arrêtée avant de déposer l'outil.


## Réparer


- Les réparations de l'outil doivent être effectuées par un réparateur qualifié. La réparation ou l'entretien effectué par un réparateur non qualifié pourrait entraîner un risque de blessure. Consultez la section **Entretien** de ce guide.
- Lorsque vous réparez un outil, utilisez seulement des pièces de remplacement identiques. Suivez les instructions dans la section **Entretien** de ce guide. Utiliser des pièces non autorisées ou ne pas suivre des instructions d'entretien peut créer un risque de choc électrique ou de blessure.

## Ne pas utiliser la scie à long manche :


- si vous êtes sous l'influence de l'alcool, de médicaments ou de drogues.
- sous la pluie ou dans des aires humides ou mouillées.
- s'il y a présence de liquides ou de gaz inflammables.
- si la scie à long manche est endommagée, mal ajustée ou pas entièrement assemblée et pas assemblée de façon sécuritaire.
- si la gâchette ne met pas en marche ou n'éteint pas la scie à long manche. La chaîne doit cesser de bouger lorsque vous relâchez la gâchette. Faites remplacer la gâchette défectueuse dans un centre de services autorisé. Consultez **Accessoires** dans **Entretien**.
- si vous êtes pressé.
- si vous êtes dans un arbre ou une échelle.
- si vous êtes sur des poutres élevées, des seaux ou des plateformes.
- si le vent est violent ou s'il y a une tempête.


## RÈGLES DE SÉCURITÉ GÉNÉRALES

 **DANGER : Risque de choc électrique.** Une blessure grave ou la mort due à une électrocution si vous entrez en contact avec des lignes électriques. Ne jamais utiliser près de toute source électrique, tout câble ou toute ligne électrique.

 **AVERTISSEMENT : Pour une utilisation sécuritaire, lisez et comprenez le guide d'utilisation.** Portez un masque protecteur (et/ou des lunettes de sécurité) et un casque protecteur pour vous protéger contre les débris tombants. Ayez toujours une aire de travail dégagée, une trajectoire de recul et tenez compte de l'emplacement des limbes/branches afin d'éviter les limbes et les débris tombants. Gardez les passants éloignés de 15 m (50 pi) lorsque vous utilisez la scie. Afin de réduire le risque de choc électrique, ne pas utiliser sur des surfaces mouillées. Ne pas exposer à la pluie. Entrez dans l'intérieur.

## Protecteur contre le rebond

 **AVERTISSEMENT :** Le **REBOND** peut se produire lorsque le nez ou l'extrémité du guide-chaîne touche un objet ou lorsque le bois se resserre et pince la scie à chaîne dans la coupe. Le contact avec l'extrémité peut parfois causer une réaction inverse très rapide, éjectant le guide-chaîne en haut et en arrière vers l'utilisateur. Le pincement de la scie à chaîne le long du haut du guide-chaîne peut le repousser rapidement vers l'utilisateur. L'une ou l'autre de ces réactions peut faire en sorte que perdiez le contrôle de la scie ce qui pourrait entraîner une blessure corporelle grave de l'utilisateur.

 **Les précautions suivantes doivent être suivies pour minimiser le rebond :**

- Saisissez solidement la scie à long manche. Tenez solidement la scie avec les deux mains lorsque l'outil fonctionne. Saisissez solidement avec les pouces et les doigts en encerclant la poignée et le manche de la scie.
- Ne pas trop vous étirer.
- Maintenez vos pieds bien daplomb sur le sol et un bon équilibre en tout temps.
- Ne pas laisser le nez du guide-chaîne entrer en contact avec une bûche, une branche, le sol ou autre obstruction.
- Ne pas étendre la poignée de la scie à long manche au-dessus de la hauteur des épaules.
- Utilisez des dispositifs comme la chaîne à rebonds réduits, le système de freinage de la chaîne et les guide-chaîne à spéciaux qui réduisent les risques associés aux rebonds.
- Utilisez seulement les guides et les chaînes de remplacement indiquées par le fabricant ou l'équivalent.
- Ne jamais laisser la chaîne en mouvement entrer en contact avec tout objet au bout du guide-chaîne.
- Gardez l'aire de travail libre de débris comme d'autres arbres, des branches, des pierres, des clôtures, des souches, etc. Éliminez ou évitez toute obstruction que votre scie à chaîne peut frapper pendant que vous sciez une bûche ou une branche particulière.

## FRANÇAIS

- Gardez la chaîne de la scie aiguisée et bien tendue. Une chaîne lâche ou émoussée augmente le risque de rebond. Vérifiez régulièrement la tension avec le moteur arrêté et la pile retirée.
- Commencez et continuez la coupe seulement avec la chaîne se déplaçant à pleine vitesse. Si la chaîne se déplace à une vitesse lente, il y a un risque plus élevé qu'un rebond se produise.
- Coupez une seule branche à la fois.
- Soyez très prudent lorsque vous entrez à nouveau dans une coupe précédente. Insérez les butoirs à pointes dans le bois et laissez la chaîne atteindre son plein régime avant d'effectuer une coupe.
- Ne pas tenter de scier en plongée ou de percer.
- Faites attention au déplacement des branches ou toute autre force qui pourrait fermer une coupe et pincer ou se retrouver dans la chaîne.

## Caractéristiques de sécurité liées aux rebonds

- ⚠ **AVERTISSEMENT :** Votre scie à long manche comporte les caractéristiques suivantes pour aider à réduire le risque de rebonds; cependant, ces caractéristiques n'éliminent pas totalement cette réaction dangereuse. En tant qu'utilisateur de la scie à long manche, ne vous fiez pas aux dispositifs de sécurité. Vous devez suivre toutes les consignes de sécurité, les instructions et l'entretien de ce manuel pour aider à éviter le rebond et les autres forces qui peuvent entraîner une blessure grave.
- **Le guide-chaîne à rebonds réduits**, conçu avec une extrémité ayant un petit rayon qui réduit la taille de la zone dangereuse de rebonds sur le guide-chaîne. Un guide-chaîne à rebonds réduits dont il a été démontré qu'il réduit considérablement le nombre et la gravité des rebonds lorsqu'il est testé conformément aux exigences de sécurité pour les scies à chaîne électriques.
- **La chaîne à faibles rebonds**, conçue avec un limiteur de profondeur profilé et le maillon du protecteur qui dévie la force des rebonds et permet au bois de pénétrer graduellement dans la gouge. Chaîne à faibles rebonds est une chaîne conforme aux exigences de performance de rebond de la norme ANSI B175.1–2012 lorsque testé sur un échantillonnage représentatif de scies à chaîne.

## Noms et termes de la scie à long manche

- **Pignon d'entraînement ou dent de pignon :** la pièce munie de dents qui entraîne la scie à chaîne.
- **Guide-chaîne :** une structure à glissière solide qui soutient et guide la chaîne de la scie.
- **Étui du guide-chaîne :** gaine fixée sur le guide-chaîne afin de prévenir le contact avec les dents lorsque la scie n'est pas utilisée.
- **Rebond :** le mouvement vers l'arrière ou le haut ou les deux du guide-chaîne lorsque la scie à chaîne qui se produit près du nez de la zone supérieure du guide qui entre en contact avec tout objet comme une bûche ou une branche, ou lorsque le bois se resserre et pince la scie à chaîne dans la coupe.

- **Chaîne à rebonds réduits :** une chaîne qui est conforme avec les exigences de rendement des rebonds de la norme ANSI B175.1–2012. (Lorsque testée sur un échantillonnage représentatif de scies à chaîne.)
- **Guide-chaîne à rebonds réduits :** un guide-chaîne dont il a été démontré qu'il réduit considérablement les rebonds.
- **Chaîne de scie de remplacement :** une chaîne qui est conforme aux exigences de performance de rebond de la norme ANSI B175.1–2012 lorsqu'elle a été testée avec des scies à chaîne spécifiques. Elle peut ne pas répondre aux exigences de performance de la norme ANSI lorsqu'elle est utilisée avec d'autres scies.
- **Chaîne de la scie :** une boucle de chaîne ayant des dents coupantes qui coupe le bois, qui est entraînée par le moteur et qui est soutenue par le guide-chaîne.
- **Butoir à pointes (Pointe) :** le ou les dents pointues à utiliser lors de la taille pour faire pivoter la scie et maintenir la position pendant le sciage.
- **Gâchette :** un dispositif qui lorsqu'il est utilisé met en marche ou éteint le circuit d'alimentation électrique du moteur de la scie à chaîne.
- **Bouton de verrouillage :** un arrêt mobile qui empêche l'utilisation non intentionnelle de la gâchette jusqu'à ce qu'elle soit activée manuellement.
- **Émondage (Taille) :** processus de coupe de limbes d'un arbre.
- **Entaille :** une coupe vers le haut de la face inférieure d'une bûche ou d'une branche. Cela est fait en position de coupe de normale et de coupe avec le dessus du guide-chaîne.

## Entreposage


1. **Entreposez à l'intérieur.** Le meilleur endroit pour l'entreposage est celui qui est frais et sec loin de la lumière directe du soleil, de la chaleur ou du froid excessif et hors de portée des enfants.
2. **Réduisez toujours la tension de la chaîne après avoir terminé le travail. La chaîne se contracte au fur et à mesure qu'elle refroidit.** Si la tension n'est pas réduite, cela peut endommager la scie.

L'étiquette sur votre outil peut comporter les symboles suivants. Les symboles et les définitions sont les suivants :

V .....	volts	W .....	watts
Hz .....	hertz	⚡ ou CA .....	courant alternatif
min .....	minutes	⚡ ou CA/CC .....	courant alternatif
— — — ou CC .....	courant continu		ou continu
Ⓜ .....	Construction de classe I (mise à la terre)	Ⓜ .....	Construction de classe II (à isolation double)
... /min .....	par minute	n <sub>0</sub> .....	vitesse à vide
BPM .....	batttements par minute	n .....	vitesse nominale
IPM .....	impacts par minute	Ⓧ .....	borne de terre
Tr/min .....	tours par minute	⚠ .....	symbole d'alertes de sécurité
Plpm .....	pieds linéaires par minute	⚠ .....	rayonnement visible
CPM .....	coups par minute	Ⓜ .....	portez une protection respiratoire
A .....	ampères		

 ..... portez une protection oculaire

 ..... portez une protection auditive


 ..... lisez toute la documentation

## PILES ET CHARGEURS

Le bloc-piles n'est pas entièrement chargé lorsqu'il sort de la boîte. Avant d'utiliser le bloc-piles et le chargeur, lisez attentivement les instructions de sécurité suivantes, puis suivez les procédures de chargement énoncées. Lorsque vous commandez des blocs-piles de remplacement, assurez-vous d'inclure le numéro du catalogue et la tension. Votre appareil utilise un chargeur DEWALT. Assurez-vous de lire toutes les consignes de sécurité avant d'utiliser votre chargeur. Consultez le tableau à la fin de ce guide pour la compatibilité des chargeurs et des blocs-piles.

### LISEZ TOUTES LES INSTRUCTIONS

## Consignes de sécurité importantes pour les blocs-piles

 **AVERTISSEMENT : Lisez tous les avertissements de sécurité et toutes les instructions du bloc-piles, du chargeur et de l'outil électrique. Ne pas suivre les avertissements et les instructions peut entraîner un choc électrique, un incendie et/ou des blessures graves.**

- **Ne pas charger ou utiliser le bloc-piles en atmosphères explosibles comme la présence de liquides inflammables, de gaz ou de poussière.** Insérer ou retirer la pile du bloc-piles peut enflammer la poussière ou les vapeurs.
- **NE JAMAIS forcer le bloc-piles dans le chargeur. NE PAS modifier le bloc-piles de quelque façon que ce soit dans un chargeur non compatible puisque le bloc-piles peut se briser causant une blessure corporelle.** Consultez le tableau à la fin de ce guide pour la compatibilité des blocs-piles et des chargeurs.
- Chargez les blocs-piles seulement dans les chargeurs DEWALT indiqués.
- **NE PAS** élabousser ou immerger dans l'eau ou tout autre liquide.
- **Ne pas entreposer ou utiliser l'outil et le bloc-piles dans des endroits où la température peut atteindre ou excéder 40 °C (104 °F) (comme les remises extérieures ou les édifices en métal durant l'été.** Pour une meilleure durée de vie, entreposer le bloc-piles dans un endroit frais et sec.  
**REMARQUE : Ne pas ranger les blocs-piles dans un outil avec la gâchette verrouillée. Ne jamais coller la gâchette avec du ruban adhésif en position Marche.**
- **Ne pas exposer le bloc-piles ou l'outil/l'appareil au feu ou à une température excessive.** L'exposition au feu ou à une température au-dessus de 130°C (265°F) pourrait entraîner une explosion.

- **Ne pas brûler le bloc-piles même s'il est gravement endommagé ou est entièrement usé.** Le bloc-piles peut exploser au cours d'un incendie. Des vapeurs et des matières toxiques sont produites lorsque les blocs-piles au lithium-ion sont brûlés.
- **Si le liquide des piles entre en contact avec la peau, lavez immédiatement avec de l'eau et du savon doux.** Si le liquide entre en contact avec les yeux, rincez à l'eau courante durant 15 minutes ou jusqu'à ce que l'irritation cesse, en gardant les yeux ouverts. Pour information de consultation médicale, l'électrolyte des piles est composé d'un mélange organique liquide et de sels de lithium.
- **Le contenu des piles peut causer une irritation respiratoire.** Faites circuler de l'air frais. Si les symptômes persistent, consultez un médecin.



**AVERTISSEMENT : Danger de brûlure.** Le liquide des piles peut être inflammable s'il est exposé aux étincelles ou aux flammes.



**AVERTISSEMENT : Danger d'incendie.** Ne jamais tenter d'ouvrir le bloc-piles pour quelque raison que ce soit. Si le boîtier du bloc-piles est fendu ou endommagé, ne pas l'insérer dans le chargeur. Ne pas écraser, échapper ou endommager le bloc-piles. Ne pas se servir d'un bloc-piles ou chargeur qui a subi un impact, a été échappé, renversé par un véhicule ou endommagé d'une façon ou d'une autre (par ex. perforé par un clou, frappé par un marteau, sur lequel on a marché). Les blocs-piles endommagés devraient être amenés/ expédiés au centre de service pour recyclage.

### Transport



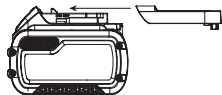
**AVERTISSEMENT : Danger d'incendie. Ne pas entreposer ou transporter le bloc-piles de manière à ce que des objets métalliques puissent entrer en contact avec les bornes des piles exposées.** Par exemple, ne pas placer le bloc-piles dans des tabliers, des poches, des coffres à outils, les boîtes d'ensembles de produits, les tiroirs, etc. avec des clous, des vis, des clés, etc. non fixés. **Transporter des piles peut possiblement causer un incendie si les bornes des piles entrent par inadvertance en contact avec des matériaux conducteurs comme les clés, les pièces de monnaie, les outils à main et d'autres matériaux semblables.** La réglementation HMR (Hazardous Material Regulations) du DOT (Department of Transportation) des É.-U. interdit en fait le transport de piles dans les véhicules commerciaux ou dans les bagages de cabine à bord des avions à MOINS qu'ils soient adéquatement protégés contre les courts-circuits. Alors, lorsque vous transportez des blocs-piles individuels, assurez-vous que leurs bornes sont protégées et bien isolées de tout matériel avec lequel elles pourraient entrer en contact et causer un court-circuit.  
**REMARQUE : Les piles lithium-ion ne doivent pas être mises dans des bagages enregistrés.**

## Expédier la pile FLEXVOLT™ de DEWALT

La pile FLEXVOLT™ de DEWALT a deux modes : **Utiliser** et **Expédier**.

**Mode Utiliser :** Lorsque la pile FLEXVOLT™ est autonome ou est dans un produit 20 V Max\* de DEWALT, elle fonctionnera comme une pile 20V Max\*. Lorsqu'une pile FLEXVOLT™ est dans un produit 60 V Max\* ou 120 V Max\* (deux piles 60 V Max\*), elle fonctionnera comme une pile 60 V Max\*.

**Mode Expédier :** Lorsque le capuchon est fixé à la pile FLEXVOLT™, la pile est en mode Expédier. Les groupes de cellules sont déconnectés



électriquement dans l'emballage entraînant un taux de wattheures (Wh) inférieur des trois piles comparativement à un taux de wattheures supérieur d'une pile. Cette quantité de trois piles ayant un taux de wattheures inférieur peut exempter l'emballage de certaines réglementations d'expédition qui sont imposées aux piles ayant des wattheures supérieures.

L'étiquette des piles indique deux taux de wattheures (voir l'exemple). Selon la manière dont la pile est expédiée, le taux de wattheures approprié doit être utilisé afin de déterminer les exigences applicables à l'expédition. Si un capuchon d'expédition est utilisé, l'emballage sera considéré comme un taux de wattheures pour les 3 piles indiqué pour « Expédition ». Si vous l'expédiez sans le capuchon ou dans un outil, l'emballage sera considéré comme un taux de wattheures pour une pile indiquée à côté de « Utiliser ».

Exemple d'étiquette Utiliser et Expédier

**UTILISATION : 120 Wh Expédition : 3 x 40 Wh**

Par exemple, le taux de Wh pour l'expédition peut indiquer 3 x 40 Wh, signifiant 3 piles de 40 wattheures chacune. Le taux de wattheures pour Utiliser indique 120 Wh (1 pile impliquée).

## Blocs-piles du niveau de l'indicateur d'état de charge

Certains blocs-piles comportent un indicateur d'état de charge de son bloc-piles comprenant trois voyants DEL verts indiquant le niveau de charge restant du bloc-piles.

L'indicateur de l'état de charge est une indication du niveau approximatif de charge restant dans le bloc-piles selon les indicateurs suivants :

75 à 100 % chargé

51 à 74 % chargé

< 50 % chargé

Le bloc doit être chargé

Pour activer la jauge de carburant, appuyez et maintenez et le bouton de la jauge de carburant. Une combinaison des trois voyants DEL verts s'allumera désignant le niveau de chargement restant. Lorsque le niveau de charge du bloc-

piles est inférieur à la limite utilisable, l'indicateur d'état de charge ne s'allumera pas et le bloc-piles devra être rechargé.

**REMARQUE :** L'indicateur d'état de charge est seulement une indication du niveau de charge restant dans le bloc-piles. Elle n'indique pas la fonctionnalité de l'appareil et peut varier selon les accessoires utilisés, la température et l'utilisation faite l'utilisateur final.

Pour de plus amples renseignements sur les indicateurs d'état de charge des blocs-piles, veuillez appeler 1-800-4-DEWALT (1-800-433-9258) ou visitez notre site Web [www.dewalt.com](http://www.dewalt.com).

## Le sceau RBRC®

Le sceau RBRC® (Rechargeable Battery Recycling Corporation) sur les piles (ou blocs-piles) au nickel-cadmium, nickel-métal-hydrure ou lithium-ion indique que les coûts de recyclage de ces piles (ou blocs-piles) à la fin de leur durée de vie utile ont déjà été payés par DEWALT. Dans certaines régions, il est illégal de mettre les piles au nickel-cadmium, nickel-métal-hydrure ou lithium-ion à la poubelle ou dans le flux des déchets solides des municipalités le programme Call 2 Recycle® offre une solution de rechange écologique.



Call 2 Recycle, Inc., en collaboration avec DEWALT et d'autres utilisateurs de piles, a établi le programme aux États-Unis et au Canada pour faciliter la collecte des piles au nickel-cadmium, nickel-métal-hydrure ou lithium-ion. Aidez à protéger notre environnement et à conserver les ressources naturelles en retournant les piles au nickel-cadmium, nickel-métal-hydrure ou lithium-ion dans un centre de services DEWALT autorisé ou chez votre détaillant local pour qu'elles soient recyclées. Vous pouvez aussi contacter votre centre de recyclage local pour des informations sur les endroits où déposer la pile usagée. RBRC® est une marque de commerce déposée de Call 2 Recycle, Inc.

## Consignes de sécurité importantes pour tous les chargeurs de piles



**AVERTISSEMENT :** Lisez tous les avertissements de sécurité et toutes les instructions du bloc-piles, du chargeur et de l'outil électrique. Ne pas suivre les avertissements et les instructions peut entraîner un choc électrique, un incendie et/ou des blessures graves.

- **NE PAS tenter de recharger le bloc-piles avec un chargeur autre que ceux indiqués dans le présent manuel.** Le bloc-piles et le chargeur sont spécifiquement conçus pour fonctionner ensemble.
- **Ces chargeurs ne sont pas conçus pour toute utilisation autre que le chargement des piles rechargeables DEWALT.** Tout autre usage pourrait entraîner un danger d'incendie, un choc électrique ou une électrocution.
- **Ne pas exposer le chargeur à la pluie ou la neige.**
- **Tirez la fiche au lieu du cordon lorsque vous débranchez le chargeur.** Cela réduira le risque d'endommager la fiche et le cordon électriques.

- **Assurez-vous de ne pas placer le cordon là où il pourrait faire trébucher les passants ou être endommagé de quelque façon que ce soit.**
- **Ne pas utiliser une rallonge à moins que ce ne soit absolument nécessaire.** L'utilisation d'une rallonge inadéquate pourrait entraîner un risque d'incendie un choc électrique ou une électrocution.
- **Lors de l'utilisation d'un chargeur à l'extérieur, gardez-le toujours au sec et utilisez une rallonge appropriée pour l'extérieur.** L'utilisation d'une rallonge appropriée pour l'extérieur réduit le risque de choc électrique.
- **Une rallonge doit avoir un calibre de fil (AWG ou calibre américain normalisé des fils) approprié pour la sécurité.** Plus le numéro de calibre du fil est petit, plus la capacité du câble est grande, c'est-à-dire que le calibre 16 a plus de capacité que le calibre 18. Un cordon de taille inférieure entraînera une chute de tension de secteur ce qui causera une perte de puissance et une surchauffe. Lorsque vous utilisez plus d'une rallonge pour obtenir la longueur totale, assurez-vous que chaque rallonge individuelle a au moins le calibre de fil minimum. Le tableau suivant affiche la bonne taille à utiliser selon longueur de cordon et l'intensité nominale de la plaque signalétique. En cas de doute, utilisez le calibre le plus lourd suivant. Plus le numéro de calibre est bas, plus le cordon est lourd.

#### Calibres minimums pour rallonges électriques

Volts		Longueur totale de la rallonge en pieds (mètres)				
120 V		25 (7,6)	50 (15,2)	100 (30,5)	150 (45,7)	
240 V		50 (15,2)	100 (30,5)	200 (61,0)	300 (91,4)	
Courant nominal		AWG (American Wire Gauge)				
Plus de	Pas plus de					
0	6	18	16	16	14	
6	10	18	16	14	12	
10	12	16	16	14	12	
12	16	14	12	Non recommandé		

- **Ne pas placer tout objet sur le dessus du chargeur ou placer le chargeur sur une surface molle qui pourrait bloquer les fentes de ventilation et entraîner une chaleur interne excessive.** Placez le chargeur loin de toute source de chaleur. Le chargeur est ventilé grâce aux fentes du dessus et du bas du boîtier.
- **Ne pas utiliser le chargeur avec un cordon endommagé.**
- **Ne pas utiliser le chargeur s'il a reçu un choc violent, s'il a été échappé ou est autrement endommagé de quelque façon que ce soit.** Apportez-le dans un centre de services autorisé.
- **Ne pas démonter le chargeur; apportez-le dans un centre de services autorisé lorsqu'un entretien ou une réparation est nécessaire.** Un mauvais réassemblage peut entraîner un danger de choc électrique, une électrocution ou un incendie.

- **Débranchez le chargeur de la prise avant d'essayer de nettoyer.** Ceci éliminera la possibilité de choc électrique. Le retrait du bloc-piles ne réduira pas cette possibilité.
- **NE JAMAIS tenter de brancher 2 chargeurs ensemble.**
- **Le chargeur est conçu pour fonctionner sur une alimentation électrique domestique 120 V. Ne pas essayer de l'utiliser sur toute autre tension.** Cela ne s'applique par au chargeur véhiculaire.



**AVERTISSEMENT :** Danger de choc électrique. Ne pas laisser pénétrer tout liquide à l'intérieur du chargeur. Cela peut entraîner un choc électrique.



**AVERTISSEMENT :** Danger de brûlure. Ne pas immerger le bloc-piles dans tout liquide ou laisser tout liquide entrer dans le bloc-piles. Ne jamais tenter d'ouvrir le bloc-piles pour quelque raison que ce soit. Si le boîtier en plastique du bloc-piles se brise ou se fissure, retournez-le dans un centre de services pour le recycler.



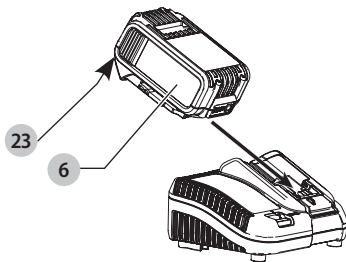
**ATTENTION :** Danger de brûlure. Afin de réduire le risque de blessure, chargez seulement des bloc-piles rechargeables DEWALT. D'autres types de piles peuvent surchauffer et éclater entraînant une blessure corporelle et des dommages.

**AVIS :** Dans certaines conditions, avec le chargeur branché à l'alimentation, le chargeur peut être court-circuité par une matière étrangère. Les matières étrangères conductrices telles, mais sans s'y limiter, les poussières de meulage, les copeaux métalliques, la laine d'acier, le papier d'aluminium ou toute accumulation de particules métalliques devraient être éloignées des ouvertures du chargeur. Débranchez toujours le chargeur de l'alimentation lorsqu'il n'y a aucun bloc-piles à l'intérieur. Débranchez le chargeur avant de nettoyer.

## Charger un bloc-piles

1. Branchez le chargeur dans une prise appropriée avant d'insérer le bloc-piles.
2. Insérez le bloc-piles **6** dans le chargeur en vous assurant qu'il est bien placé dans le chargeur. Le voyant rouge (chargement) clignotera sans cesse indiquant que le processus de chargement est commencé.
3. La fin de la recharge sera indiquée par le voyant rouge qui demeurera allumé de façon continue. Le bloc-piles est complètement chargé et peut être utilisé à ce moment ou laissé dans le chargeur. Pour retirer le bloc-piles du chargeur, appuyez sur le bouton de libération des piles **23** sur le bloc-piles, puis glissez le bloc-piles hors du chargeur.

**REMARQUE :** Afin d'assurer la performance et la vie maximales des blocs-piles au lithium-ion, chargez complètement le bloc-piles avant la première utilisation.



## Fonctionnement du chargeur

Consultez les voyants suivants pour l'état de chargement du bloc-piles.

DCB107, DCB112, DCB113, DCB115, DCB118, DCB132

	Chargement en cours	--- ---	
	Complètement chargé	————	
	Délai pour le bloc chaud/froid*	--- ---	

\*DCB107, DCB112, DCB113, DCB115, DCB118,

DCB132 : Le voyant rouge continuera à clignoter, mais le voyant de l'indicateur jaune sera allumé durant cette opération. Une fois que le bloc-piles aura atteint la température appropriée, le voyant jaune s'éteindra et le chargeur reprendra la procédure de chargement.

Le(s) chargeur(s) compatible(s) ne chargera(ont) pas un bloc-piles défectueux. Le chargeur indiquera le bloc-piles défectueux en refusant de s'allumer.

**REMARQUE :** Cela pourrait aussi signifier qu'il y a un problème avec un chargeur.

Si le chargeur indique un problème, faites tester le chargeur et le bloc-piles dans un centre de services autorisé.

### Délai en cas de bloc chaud ou froid

Lorsque le chargeur détecte un bloc-piles qui est trop chaud ou trop froid, il démarre automatiquement le délai pour le bloc chaud/froid, suspendant la recharge jusqu'à ce que la température du bloc-piles ait atteint une température appropriée. Le chargeur passe alors automatiquement en mode de chargement du bloc-piles. Cette fonction assure une durée de vie maximale du bloc-piles.

Un bloc-piles froid se chargera à une vitesse plus lente qu'un bloc-piles chaud. Le bloc-piles se chargera à une vitesse plus lente pendant tout le cycle de chargement et ne reviendra pas à un niveau de chargement maximum même si le bloc-piles se réchauffe.

Le chargeur DCB118 est muni d'un ventilateur interne conçu pour refroidir le bloc-piles. Le ventilateur se mettra automatiquement en marche lorsque le bloc-piles devra être refroidi.

Ne jamais utiliser le chargeur si le ventilateur ne fonctionne pas bien ou si les fentes de ventilation sont obstruées. Empêchez les objets étrangers d'entrer à l'intérieur du chargeur.

## Système de protection électronique

Les outils Li-Ion sont conçus avec un système de protection électronique qui protégera le bloc-piles contre une surcharge, une surchauffe et une importante décharge. Cet outil s'éteindra automatiquement si le système de protection électronique est en fonction. Si cela se produit, placez le bloc-piles lithium-ion dans le chargeur jusqu'à ce qu'il soit entièrement chargé.

## Montage mural

DCB107, DCB112, DCB113, DCB115, DCB118, DCB132

Ces chargeurs sont conçus pour pouvoir être installés au mur ou être placés verticalement sur une table ou une surface de travail. Pour le montage mural, placez le chargeur près d'une prise de courant et loin d'un coin ou d'autres obstructions qui peuvent nuire à la circulation de l'air. Se servir de la base du chargeur comme gabarit de positionnement des vis sur le mur. Monter solidement le chargeur à l'aide de vis pour cloison sèche (achetées séparément) d'au moins 25,4 mm (1 po) de longueur avec tête de diamètre de 7 à 9 mm (0,280 à 0,350 po). Visées dans du bois à une profondeur optimale en laissant exposée une partie de vis d'environ 5,5 mm (7/32 po). Aligner les fentes au dos du chargeur sur les vis en saillie et accrocher le chargeur sur les vis.

## Instructions de nettoyage du chargeur



**AVERTISSEMENT :** Danger de choc électrique.

Débranchez le chargeur de la prise CA avant de nettoyer. La saleté et la graisse peuvent être retirées des surfaces extérieures du chargeur à l'aide d'un linge ou d'une brosse souple non métallique. Ne pas utiliser d'eau ou de solution nettoyante.

## Remarques importantes sur le chargement

1. Une vie plus longue et une meilleure performance peuvent être obtenues si le bloc-piles est chargé lorsque la température de l'air est située entre 18 °C et 24 °C (65 °F et 75 °F). NE PAS recharger lorsque la température du bloc-piles est en dessous de 4,5 °C (40 °F) ou au-dessus de 40 °C (104 °F). C'est important et cela préviendra les dommages graves au bloc-piles.
2. Le chargeur et le bloc-piles peuvent devenir chauds au toucher durant le chargement. C'est un état normal et cela n'indique pas un problème. Pour faciliter le refroidissement du bloc-piles après l'utilisation, évitez de placer le chargeur ou le bloc-piles dans un environnement chaud comme une remise en métal ou une remorque non isolée.
3. Si le bloc-piles ne charge pas de adéquatement :
  - a. Vérifiez le fonctionnement de la prise en branchant une lampe ou un autre appareil;
  - b. Vérifiez si la prise d'alimentation est connectée à un interrupteur d'éclairage qui s'éteint lorsque vous éteignez les lumières;
  - c. Déplacez le chargeur et le bloc-piles dans un endroit où la température de l'air ambiant est d'environ 18 ° à 24 °C (65 ° à 75 °F);



- d. Si les problèmes de chargement persistent, apportez l'outil, le bloc-piles et le chargeur dans votre centre de services local.
- Le bloc-piles doit être chargé lorsqu'il ne produit pas assez de puissance sur les tâches qui étaient facilement effectuées auparavant. **NE PAS CONTINUER** à utiliser dans ces conditions. Suivez la procédure de chargement. Vous pouvez aussi charger un bloc partiellement utilisé au moment désiré sans effet indésirable sur le bloc-piles.
  - Les matières étrangères conductrices telles (sans y être limitées) les poussières de meulage, les copeaux métalliques, la laine d'acier, les feuillards d'aluminium ou toute accumulation de particules conductrices devraient être éloignées des ouvertures du chargeur. Débranchez toujours le chargeur de l'alimentation lorsqu'il n'y a aucun bloc-piles à l'intérieur. Débranchez le chargeur avant de nettoyer.
  - Ne pas congeler ou immerger le chargeur dans l'eau ou tout autre liquide.

## Recommandations d'entreposage

- Le meilleur lieu pour l'entreposage est un endroit frais et sec loin de la lumière directe du soleil et de la chaleur ou du froid excessif.
- Pour un entreposage prolongé, il est recommandé d'entreposer un bloc-piles entièrement chargé dans un endroit sec et frais hors du chargeur pour des résultats optimaux.

**REMARQUE :** Les blocs-piles ne doivent pas être entreposés complètement déchargés. Le bloc-piles doit être rechargé avant l'utilisation.

## CONSERVEZ CES INSTRUCTIONS POUR UTILISATION ULTÉRIEURE

### Utilisation prévue

Cette scie à long manche est conçue pour l'élagage et la coupe de bûche de 8 po (203 mm) de diamètre.

**NE PAS** utiliser en conditions mouillées ou en présence de liquides ou de gaz inflammables.

Cette scie à long manche est un outil électrique professionnel. **NE PAS** laisser les enfants entrer en contact avec l'outil. Une supervision est requise lorsque des utilisateurs non expérimentés utilisent cet outil.

## ASSEMBLAGE ET AJUSTEMENTS

**!** **AVERTISSEMENT :** Afin de réduire le risque de blessure corporelle grave, éteignez l'outil et retirez le bloc-piles avant d'effectuer tout ajustement ou de retirer/installer des pièces ou des accessoires. Un démarrage accidentel peut causer des blessures.

## Installer et retirer la chaîne de la scie

### (Fig. A–D)



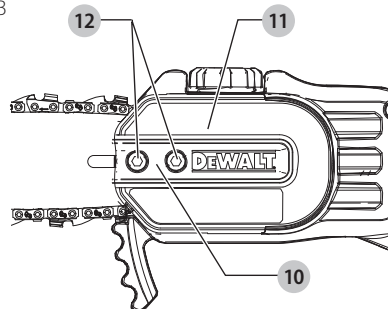
**AVERTISSEMENT :** Lame tranchante en mouvement. Afin de prévenir le fonctionnement accidentel, assurez-vous que la pile est déconnectée de la poignée avant d'effectuer les opérations suivantes. Ne pas le faire pourrait entraîner des blessures corporelles graves.



**ATTENTION :** Lame tranchante en mouvement. Portez toujours des gants protecteurs lorsque vous installez et retirez la chaîne. La chaîne est aiguisée et peut vous couper lorsqu'elle ne fonctionne pas.

- Placez la scie à long manche sur une surface ferme. Tournez les deux vis à tête hexagonale **12** dans le sens contraire des aiguilles d'une montre avec la clé hexagonale **16** fournie.
- Retirez le capot du pignon **11**, la bride de serrage **10** et les vis à tête hexagonale.
- Pour retirer la scie à chaîne **14**, tournez la vis de tension de la chaîne **19** à l'avant du boîtier à l'aide de l'extrémité du tournevis plat de la clé. Tourner la vis dans le sens contraire des aiguilles d'une montre permet au guide-chaîne **13** de reculer et de réduire la tension de la chaîne afin qu'elle puisse être retirée.
- Retirez la chaîne de la scie usée de la rainure dans le guide-chaîne.
- Retournez le guide-chaîne.
- Pour remplacer la chaîne de la scie, assurez-vous que la fente dans le guide-chaîne est au-dessus des goupilles de positionnement **20** comme illustré dans la Figure D et que le trou sous la fente est situé au-dessus de la goupille d'ajustement.
- Placez une nouvelle chaîne dans la rainure du guide-chaîne et autour du pignon. Assurez-vous que les dents de la scie sont orientées dans la bonne direction en comparant le graphique sur le boîtier ou le guide-chaîne.
- Tournez la vis de tension **19** sur le devant du boîtier dans le sens des aiguilles d'une montre pour augmenter la tension de la chaîne.
- Remettez le capot du pignon, la bride de serrage et les vis à tête hexagonale.
- Suivez les instructions dans la section **Ajuster la tension de la chaîne**.

Fig. B



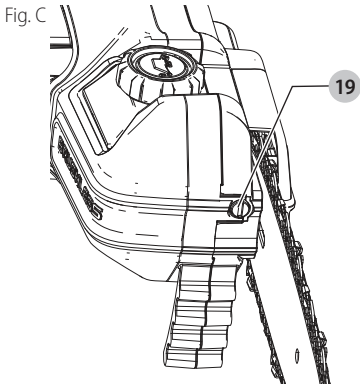
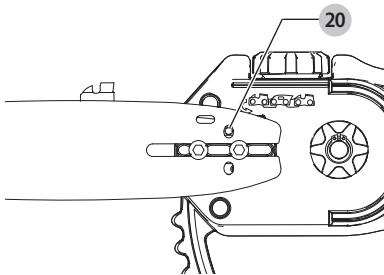


Fig. D



## Ajuster la tension de la chaîne (Fig. A, C, E, F)

1. Avec la scie à long manche sur une surface ferme et plane, vérifiez la tension de la chaîne de la scie **14**. La tension est bonne lorsque la chaîne de la scie se rétablit d'elle-même après avoir été tirée à 1/8 po (3 mm) du guide-chaîne **13** avec une légère force du majeur et du pouce comme illustré dans la Figure E. Il doit n'y avoir aucun « affaissement » entre le guide-chaîne et la chaîne de la scie sur la partie inférieure comme illustré dans la Figure F.
2. Pour ajuster la tension de la chaîne, desserrez les vis à tête hexagonale **12**.
3. Tournez la vis de tension de la chaîne **19** à l'avant du boîtier à l'aide de l'extrémité du tournevis plat de la clé.
4. Ne pas trop tendre la chaîne de la scie puisque cela peut mener à une usure excessive et réduira la vie du guide-chaîne et de la chaîne de la scie. Trop de tension réduit aussi la quantité de coupes obtenues par chargement de la pile.
5. Une fois que la tension de la chaîne est bonne, serrez les vis à tête hexagonale **12** à la bride de serrage.
6. Lorsque la chaîne de la scie est nouvelle vérifiez souvent la tension (après avoir déconnecté la pile) durant les 2 premières heures d'utilisation puisqu'une nouvelle chaîne s'étire légèrement.

**REMARQUE :** La tension de la chaîne de la scie doit régulièrement être ajustée.

Fig. E

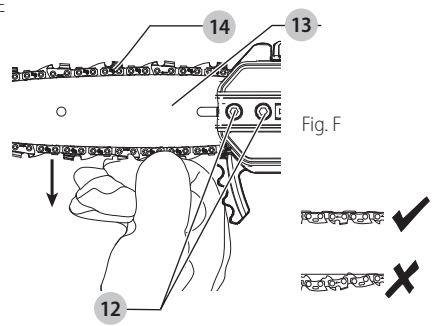
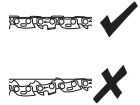


Fig. F



## Huilage de la scie à chaîne et du guide-chaîne (Fig. G)

### Système de huilage automatique

Cette scie à long manche est munie d'un système de huilage automatique qui garde la scie à chaîne et le guide-chaîne lubrifiés. L'indicateur du niveau d'huile **25** affiche le niveau d'huile dans la scie à chaîne. Si le niveau d'huile est inférieur au quart, retirez la pile de la scie à long manche et remplissez avec le bon type d'huile.

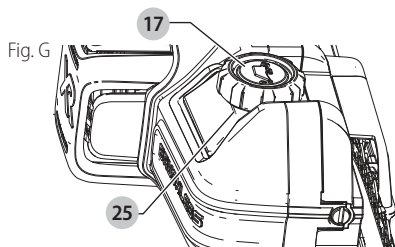
**REMARQUE :** Videz toujours le réservoir d'huile lorsque vous avez terminé la coupe.

**REMARQUE :** Utilisez une huile pour chaîne et guide de haute qualité pour la lubrification. Comme substitut temporaire, une huile à moteur SAE30 non détergente peut être utilisée. L'utilisation d'une huile végétale pour la chaîne et le guide est recommandée lorsque vous élaguez des arbres. L'huile minérale n'est pas recommandée parce qu'elle peut être nocive pour les arbres. Ne jamais utiliser de l'huile usée ou de l'huile très épaisse. Cela peut endommager votre scie à long manche.

### Remplir le réservoir d'huile

- Retirez le capuchon de l'huile **17** et remplissez le réservoir avec l'huile à chaîne et guide recommandée jusqu'à ce que le niveau de l'huile atteigne le haut de l'indicateur du niveau d'huile **25**.
- Remettez le capuchon de l'huile.
- Éteignez régulièrement la scie à chaîne et vérifiez le voyant du niveau d'huile pour vous assurer que le guide et la chaîne sont bien huilés.





## Transporter la scie à long manche (Fig. A)

Retirez toujours le bloc-piles **6** de la poignée et couvrez la scie à chaîne **14** avec l'étui **15** lorsque vous transportez la scie à long manche.

## Assembler le module de la tête de la scie avec le module de la poignée (Fig. H–K)

**⚠ AVERTISSEMENT :** *Lame tranchante en mouvement. Afin de prévenir le fonctionnement accidentel, assurez-vous que la pile est déconnectée de la poignée et que l'étui protecteur est en place avant d'effectuer les opérations suivantes. Ne pas le faire pourrait entraîner des blessures corporelles graves.*

Les trois assemblages qui constituent la scie à long manche sont clavetés pour assurer un bon assemblage. Si un assemblage ne se fixe pas facilement à un autre, ne pas forcer.

Combiner l'assemblage de la poignée **1** à l'assemblage de la tête de la scie **3** crée une scie à long manche qui est d'une longueur approximative de 6 pi (1,8 m) comme illustré dans la Figure H.

Pour fixer l'assemblage de la poignée à l'assemblage de la tête de la scie :

1. Alignez la rainure **21** à l'extérieur de l'extrémité du raccord de l'assemblage de la poignée **1** avec la languette **22** à l'intérieur de l'extrémité du raccord de l'assemblage de la tête de la scie **3**. Consultez la Figure I. Poussez complètement les deux sections ensemble. Consultez la Figure J.
2. Glissez le manchon fileté **9** sur l'assemblage de la tête de la scie aussi loin que possible et tournez le manchon dans le sens des aiguilles d'une montre jusqu'à ce qu'il s'arrête et couvre complètement les têtes comme illustré dans la Figure K.

**⚠ AVERTISSEMENT :** *Assurez-vous toujours que le manchon est complètement enfilé et que les filets rouges ne sont plus visibles. Ne pas enfiler complètement le manchon pourrait faire en sorte que les assemblages se déconnectent créant une condition dangereuse. Vérifiez régulièrement les connexions afin d'assurer qu'aucun filet rouge n'est visible.*

Fig. H



Fig. I

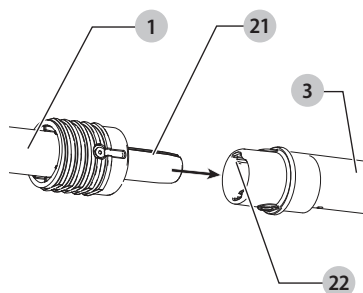


Fig. J

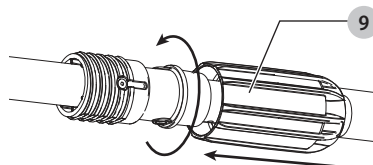
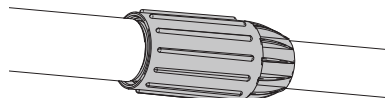


Fig. K



## Assembler l'extension centrale au module de tête de la scie et au module de la poignée (Fig. A, L)

Combiner le manchon extensible central **2** à l'assemblage de la poignée **1** et à l'assemblage de la tête de la scie **3** crée une scie à long manche qui est d'une longueur approximative de 10 pi (3 m) comme illustré dans la Figure L.

Consultez **Joindre le module de la tête de la scie au module de la poignée** pour des directives quant à la façon de fixer l'assemblage du milieu à l'assemblage de la poignée et à l'assemblage de la tête de la scie.

Fig. L



**⚠ AVERTISSEMENT :** *Assurez-vous toujours que le manchon est complètement enfilé et que les filets rouges ne sont plus visibles. Ne pas enfiler complètement le manchon pourrait faire en sorte que les assemblages se déconnectent créant une condition dangereuse. Vérifiez régulièrement les connexions afin d'assurer qu'aucun filet rouge n'est visible.*

## DÉSASSEMBLER

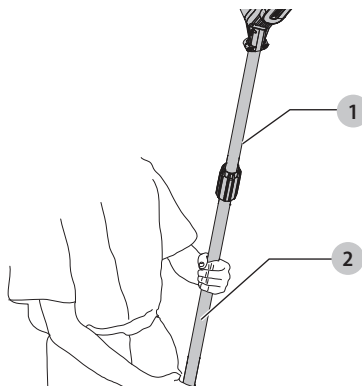
**⚠** **AVERTISSEMENT :** Afin de réduire le risque de blessure corporelle grave, éteignez l'outil et retirez le bloc-piles avant d'effectuer tout ajustement ou de retirer/installer des pièces ou des accessoires. Un démarrage accidentel peut causer des blessures.

### Détacher le module de la tête de la scie (Fig. M)

**⚠** **AVERTISSEMENT :** Lame tranchante en mouvement. Afin de prévenir le fonctionnement accidentel, assurez-vous que la pile est déconnectée de la poignée et que l'étui protecteur est en place avant d'effectuer les opérations suivantes. Ne pas le faire pourrait entraîner des blessures corporelles graves.

Lorsque vous détachez les assemblages, que ce soit mode deux assemblages ou en mode trois assemblages, détachez toujours l'assemblage de la tête de la scie 1 en premier. Pour y parvenir, déposez l'assemblage de la poignée 2 sur le sol et saisissez le centre de l'assemblage de la tête de la scie avec une main comme illustré dans la Figure M. Utilisez votre autre main pour desserrer le manchon fileté, puis séparez les deux moitiés. Répétez ce processus si le manche extensible central est fixé.

Fig. M



## FONCTIONNEMENT

**⚠** **AVERTISSEMENT :** Afin de réduire le risque de blessure corporelle grave, éteignez l'outil et retirez le bloc-piles avant d'effectuer tout ajustement ou de retirer/installer des pièces ou des accessoires. Un démarrage accidentel peut causer des blessures.

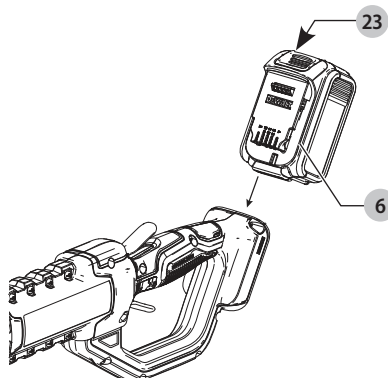
### Installer et retirer le bloc-piles (Fig. N)

**REMARQUE :** Pour une meilleure performance, assurez-vous que le bloc-piles est rechargé à 100 %.

Pour installer le bloc-piles 6 dans l'outil, alignez le bloc-piles avec les glissières à l'intérieur de la poignée de l'outil et glissez-le dans la poignée jusqu'à ce que le bloc-piles soit bien placé dans l'outil et assurez-vous qu'il est enclenché.

Pour retirer le bloc-piles de l'outil, appuyez sur le bouton de libération 23 et tirez-le fermement hors de la poignée de l'outil. Insérez-le dans le chargeur tel que décrit dans la section du chargeur du présent guide.

Fig. N



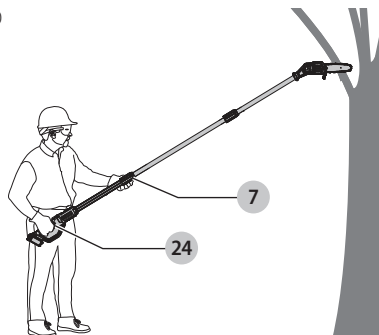
### Position appropriée des mains (Fig. O)

**⚠** **AVERTISSEMENT :** Afin de réduire le risque de blessure corporelle grave, utilisez **TOUJOURS** la position des mains appropriée comme illustré.

**⚠** **AVERTISSEMENT :** Afin de réduire le risque de blessure grave, tenez **TOUJOURS** solidement en prévision d'une réaction soudaine.

Une position des mains adéquate nécessite une main sur la poignée principale 24 et une main sur l'outil de préhension en mousse 7.

Fig. O



### Utiliser la scie à long manche (Fig. A)

**⚠** **AVERTISSEMENT :** Lisez et comprenez toutes les instructions. Ne pas suivre toutes les instructions comprises aux présentes peut conduire à un choc électrique, un incendie et/ou une blessure corporelle grave.

**⚠** **ATTENTION :** Réduisez toujours la tension de la chaîne après avoir terminé le travail. La chaîne se contracte au fur et à mesure qu'elle refroidit. Si elle n'est pas relâchée, cela peut endommager la scie.

**IMPORTANT :** Ne jamais utiliser une scie à long manche si elle est endommagée ou mal ajustée ou qui n'est pas complètement ni solidement assemblée. Assurez-vous que la scie à chaîne **14** cesse de bouger lorsque vous relâchez la gâchette. Ne jamais ajuster le guide-chaîne **13** ou la chaîne de la scie lorsque le moteur fonctionne ou si la pile est connectée.

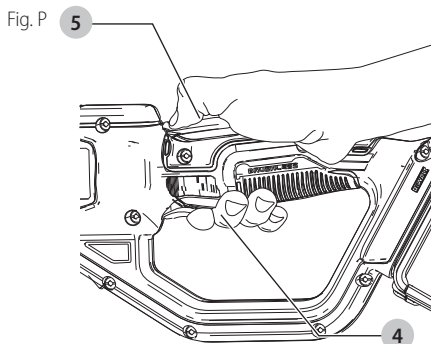
## Taillage/Élagage avec la scie à long manche

### ⚠️ AVERTISSEMENTS :

- **Ne jamais vous mettre debout directement sous la branche lorsque vous coupez.** Placez-vous toujours hors de la trajectoire des débris tombants.
- **Portez toujours une protection pour la tête, les yeux, les pieds et le corps.** Porter une protection pour le corps aidera à réduire le risque de blessure lorsque vous utilisez cet outil.
- **Ne jamais se tenir debout sur une échelle ou un autre support instable pendant l'utilisation de la scie à long manche.** Évitez toujours toute position qui peut vous faire perdre votre équilibre et causer une blessure grave.
- **Gardez les autres personnes à au moins 50 pi (15 m) de l'aire de travail.** Les distractions peuvent vous faire perdre le contrôle.
- **Danger d'électrocution.** Afin de prévenir les chocs, ne pas utiliser à moins de 50 pi (15 m) des lignes électriques aériennes. Vérifiez toujours la zone environnante pour les lignes électriques dissimulées.
- **Ne pas étendre la poignée de la gâchette de la scie à long manche au-dessus de la hauteur des épaules.**

## Bouton Marche/Arrêt (Fig. P)

Gardez toujours les pieds bien d'aplomb et saisissez fermement l'outil des deux mains avec le pouce et les doigts encerclant la poignée. Pour mettre l'outil en marche, tirez le bouton de verrouillage **5** vers l'arrière avec votre pouce et appuyez sur la gâchette **4** avec vos doigts comme illustré dans la Figure P. (Lorsque l'outil fonctionne, vous pouvez relâcher le bouton de verrouillage.) Pour éteindre l'outil, relâchez la gâchette.



## Crochet pour enlever les branches (Fig. A)

⚠️ **ATTENTION :** Le crochet pour enlever les branches n'est pas un crochet pour courroie.

Votre scie à long manche inclut un crochet pour enlever les branches **18** afin d'aider à enlever les branches élaguées de petites à moyennes tailles.

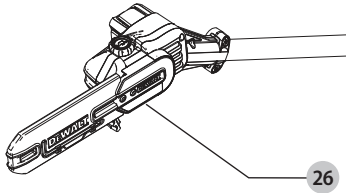
## Élaguer avec la scie à long manche (Fig. A, O, Q)

⚠️ **AVERTISSEMENT :** Laissez l'outil fonctionner à son propre rythme. Ne pas surcharger.

⚠️ **AVERTISSEMENT :** Lorsque vous élaguez des arbres : protégez-vous contre les rebonds qui peuvent entraîner une blessure grave ou la mort. Consultez **Se protéger contre les rebonds** afin d'éviter le risque de rebonds. Ne pas trop vous étirer. Assurez-vous que vos pieds sont bien d'aplomb. Gardez les pieds écartés. Répartissez votre poids également sur les deux pieds.

1. Utilisez les deux mains pour saisir la scie à long manche comme illustré dans la Figure O. Tenez-la solidement. Les pouces et les doigts doivent encercler la poignée et le manche de la scie à long manche. Gardez vos doigts à l'écart du conduit de l'évacuation de la sciure **26** comme illustré dans la Figure Q.
2. Ne jamais utiliser lorsque vous êtes dans un arbre, dans une position étrange ou sur une échelle ou une autre surface instable. Vous pouvez perdre le contrôle de la scie à long manche causant une blessure grave.
3. Suivez les directives ci-dessous pour tailler un arbre.
  - a. Assurez-vous que la scie à long manche fonctionne à pleine vitesse avant de faire une coupe. Lorsque vous commencez une coupe, placez la chaîne de la scie **14** en mouvement contre la branche. Tenez solidement la scie à long manche en place afin d'éviter le rebondissement ou le patinage (déplacement latéral) de la scie à long manche.
  - b. Guidez la scie à long manche à l'aide d'une légère pression. Effectuez la première coupe à 6 po (152 mm) du tronc sur la partie inférieure de la branche. Utilisez le dessus du guide-chaîne **13** pour effectuer cette coupe. Coupez 1/3 à travers le diamètre de la branche. Puis effectuez la coupe de finition à partir du dessus. Si vous essayez de couper des branches épaisses à partir du bas, la branche coincera et pincera la chaîne de la scie dans la coupe. Si vous essayez de couper des branches épaisses à partir du dessus, sans une entaille peu profonde, la branche peut éclater. Ne pas forcer la scie à long manche. Le moteur se surchargera et peut brûler. Elle travaillera mieux et sera plus sécuritaire à la vitesse pour laquelle elle a été conçue.
  - c. Retirez la scie à long manche de la coupe pendant qu'elle fonctionne à pleine vitesse. Arrêtez la scie à long manche en relâchant la gâchette **4**. Assurez-vous la chaîne de la scie est arrêtée avant de déposer la scie à long manche.

Fig. Q



## Tranchant de la chaîne de la scie

**ATTENTION :** Chaîne tranchante. Portez toujours des gants protecteurs lorsque vous manipulez la chaîne. La chaîne est aiguisée et peut vous couper lorsqu'elle ne fonctionne pas.

**IMPORTANT :** Les gouges de la chaîne s'émousseront immédiatement s'ils touchent le sol, des pierres, la maçonnerie ou un clou durant la coupe.

Pour obtenir la meilleure performance possible de votre scie à chaîne, il est important de garder les dents de la chaîne de la scie aiguisées. Des services d'aiguisage de la chaîne sont disponibles dans votre centre de services DEWALT le plus près.

**REMARQUE :** Chaque fois que la chaîne de la scie est aiguisée, elle perd certaines des qualités de rebonds réduits et vous devez redoubler de prudence. Il est recommandé qu'une chaîne de scie soit aiguisée pas plus que quatre fois.

## ENTRETIEN

**AVERTISSEMENT :** Afin de réduire le risque de blessure corporelle grave, éteignez l'outil et retirez le bloc-piles avant d'effectuer tout ajustement ou de retirer/installer des pièces ou des accessoires. Un démarrage accidentel peut causer des blessures.

Un entretien régulier assure une longue durée de vie utile pour l'outil. Après chaque 10 minutes d'utilisation, assurez-vous de retirer la pile (sachez que la chaîne et le guide peuvent être chauds!), vérifiez le guide et la chaîne pour une bonne tension et lubrifiez par **Ajuster la tension de la chaîne** et **Huilage de la chaîne**.

## Nettoyage

**AVERTISSEMENT :** Soufflez la saleté et la poussière de tous les événements avec de l'air sec et propre au moins une fois par semaine. Afin de minimiser le risque de blessure aux yeux, portez toujours une protection pour les yeux approuvée ANSI Z87.1 lorsque vous effectuez cette procédure.

**AVERTISSEMENT :** Ne jamais utiliser de solvant ou d'autres produits chimiques forts pour le nettoyage des pièces non métalliques de l'outil. Ces produits chimiques peuvent affaiblir les matériaux plastiques des pièces. Utilisez un linge trempé seulement dans de l'eau et du savon doux. Ne jamais laisser de liquide entrer à l'intérieur de l'outil, ne jamais immerger toute partie de l'outil dans un liquide.

## Accessoires

**AVERTISSEMENT :** Étant donné que les accessoires, autres que ceux offerts par DEWALT, n'ont pas été testés avec ce produit, utiliser de tels accessoires avec cet outil pourrait être dangereux. Afin de réduire le risque de blessures, seulement les accessoires recommandés DEWALT doivent être utilisés avec ce produit.

La chaîne et le guide de remplacement sont disponibles au centre de services DEWALT le plus près de chez vous.

- DCPS620 nécessite une chaîne ayant le numéro de pièce de rechange DW01DT608. Guide de remplacement 203 mm (8 po), numéro de pièce de rechange DWZCSB8.

Les accessoires recommandés pour utilisation avec cet outil sont disponibles à un coût supplémentaire chez votre détaillant local ou dans un centre de services autorisé. Si vous avez besoin d'aide pour trouver un accessoire, veuillez contacter DEWALT Industrial Tool Co., 701 East Joppa Road, Towson, MD 21286, appeler 1-800-4-DEWALT (1-800-433-9258) ou visitez notre site Web : [www.dewalt.com](http://www.dewalt.com).

## Réparations

Le chargeur et le bloc-piles ne peuvent être réparés.

**AVERTISSEMENT :** Pour assurer la SÉCURITÉ et la FIABILITÉ du produit, les réparations, l'entretien et l'ajustement (incluant l'inspection et le remplacement de la brosse, s'il y a lieu) doivent être effectués par un centre de services de l'usine DEWALT ou un centre de services autorisé DEWALT. Utilisez toujours des pièces de remplacement identiques.

## S'enregistrer en ligne

Nous vous remercions de votre achat. Enregistrez votre produit maintenant pour :

- **SERVICE DE GARANTIE :** L'enregistrement de votre produit en ligne vous aide à obtenir un service de garantie efficace au cas où vous auriez un problème avec votre produit.
- **CONFIRMATION DE PROPRIÉTÉ :** En cas de pertes liées aux assurances telles qu'un incendie, une inondation ou un vol, votre enregistrement de propriété servira de preuve de votre achat.
- **POUR VOTRE SÉCURITÉ :** L'enregistrement de votre produit nous permet de vous contacter dans le cas peu probable d'une notification de sécurité requise selon le Federal Consumer Safety Act.

Enregistrez-vous en ligne au [www.dewalt.com/register](http://www.dewalt.com/register).

## Garantie limitée de trois ans

DEWALT réparera sans frais tout appareil défectueux pour cause de défaut de matériau ou de main-d'œuvre sur une période de trois ans à partir de la date d'achat de l'outil. Cette garantie ne couvre pas les pièces en panne pour cause d'abus ou d'usure normale de l'outil. Pour plus de détails au sujet de la couverture de la garantie et l'information de réparation sous garantie, visitez [www.DEWALT.com](http://www.DEWALT.com) ou composez 1-800-4-DEWALT (1-800-433-9258). Cette garantie ne s'applique pas aux accessoires ou dommages

causés par des réparations effectuées ou tentées par d'autres. CETTE GARANTIE REMPLACE TOUTES LES AUTRES, INCLUANT LES GARANTIES IMPLICITES DE LA QUALITÉ MARCHANDE ET L'APTITUDE POUR UN BUT PARTICULIER, ET EXCLUT TOUS LES DOMMAGES ACCIDENTELS OU CONSÉCUTIFS. Certaines provinces ne permettent pas de limitation sur la durée de la garantie implicite ou l'exclusion ou la limitation de dommages indirects, alors ces limitations peuvent ne pas s'appliquer à vous. Cette garantie vous donne des droits légaux particuliers et vous pouvez avoir d'autres droits qui varient selon les états ou les provinces. En plus à la garantie, les outils DeWALT sont couverts par notre :

#### **ENTRETIEN GRATUIT DURANT 1 AN**

DeWALT entretiendra l'outil et remplacera ses pièces usées par utilisation normale sans frais à n'importe quel temps durant la première année après l'achat.

#### **ENTRETIEN GRATUIT DURANT 2 ANS SUR LE BLOC-PILES DEWALT**

DC9071, DC9091, DC9096, DC9182, DC9280, DC9360, DCB120, DCB127, DCB201, DCB203BT, DCB207, DCB361

#### **ENTRETIEN GRATUIT DURANT 3 ANS SUR LE BLOC-PILES DEWALT**

DCB200, DCB203, DCB204, DCB204BT, DCB205, DCB205BT, DCB206, DCB230, DCB606, DCB609, DCB612

**REMARQUE :** La garantie du bloc-piles est annulée si le bloc-piles est altéré de quelque façon que ce soit. DeWALT n'est pas responsable de toute blessure causée par une altération peut tenter des poursuites pour fraude de garantie dans les limites des lois en vigueur.

#### **GARANTIE DE RETOUR DE 90 JOURS SANS CONDITION**

Si vous n'êtes pas entièrement satisfait de la performance de votre outil motorisé, à laser ou cloueuse DeWALT, vous pouvez le retourner en moins de 90 jours de la date d'achat avec une preuve d'achat pour un remboursement complet, sans aucune raison à fournir.

**AMÉRIQUE LATINE :** La présente garantie ne s'applique pas aux produits vendus en Amérique latine. Pour les produits vendus en Amérique latine, consultez les renseignements sur la garantie particulière au pays comprise dans l'emballage, appelez l'entreprise locale ou consultez le site Web pour les renseignements complets sur la garantie.

#### **REMPLACEMENT DES ÉTIQUETTES D'AVERTISSEMENT GRATUIT :**

Si vos étiquettes d'avertissement deviennent illisibles ou sont manquantes, appelez au 1-800-4-DeWALT (1-800-433-9258) pour un remplacement gratuit.

## GUIDE DE DÉPANNAGE

## ASSUREZ-VOUS DE SUIVRE LES RÈGLES DE SÉCURITÉ ET LES INSTRUCTIONS

Pour obtenir de l'aide au sujet de ce produit, visitez notre site Web au [www.dewalt.com](http://www.dewalt.com) pour une liste de centres de services ou appelez DEWALT au 1-800-4-DEWALT (1-800-433-9258).

PROBLÈME	CAUSE POSSIBLE	SOLUTION
L'appareil ne démarre pas.	Le bloc-piles n'est pas bien installé.	Vérifiez l'installation du bloc-piles.
	Le bloc-piles n'est pas chargé.	Vérifiez les exigences de chargement du bloc-piles.
	Le bouton de verrouillage n'est pas activé.	Tirez le bouton de verrouillage vers l'arrière/activer la gâchette.
	Les connexions du manche ne sont pas bien serrées.	Consultez <b>Assembler le module de la tête de la scie avec le module de la poignée.</b>
Le bloc-piles ne se recharge pas.	Le bloc-piles n'est pas inséré dans le chargeur.	Insérez le bloc-piles dans le chargeur jusqu'à ce que le voyant DEL s'allume.
	Le chargeur n'est pas branché.	Branchez le chargeur dans une prise qui fonctionne. Consultez <b>Remarques importantes sur la recharge</b> pour de plus amples détails.
	La température de l'air ambiant est trop chaude ou trop froide.	Déplacez le bloc-piles dans une température d'air ambiant au-dessus à 4,5 °C (40 °F) ou au-dessous de +40 °C (104 °F).
Surchauffe du guide-chaîne / de la chaîne.	La chaîne est trop serrée.	Consultez <b>Ajuster la tension de la chaîne.</b>
	Besoin de lubrification.	Consultez <b>Huilage de la chaîne.</b>
La chaîne est desserrée.	La tension de la chaîne est mal réglée.	Consultez <b>Ajuster la tension de la chaîne.</b>
Mauvaise qualité de coupe.	La tension de la chaîne est mal réglée.	Consultez <b>Ajuster la tension de la chaîne.</b> <b>REMARQUE :</b> Une tension excessive entraîne une usure excessive et une réduction de vie du guide-chaîne et de la chaîne. Lubrifiez après chaque 10 minutes d'utilisation.
	La chaîne doit être remplacée.	Consultez <b>Installer et retirer la chaîne de la scie.</b>
L'outil fonctionne, mais ne coupe pas.	La chaîne est installée à l'envers.	Consultez <b>Installer et retirer la chaîne de la scie.</b>

## Definiciones: Símbolos y palabras de alerta de seguridad

Este manual de instrucciones utiliza los siguientes símbolos y palabras de alerta de seguridad para alertarle de situaciones peligrosas y del riesgo de lesiones corporales o daños materiales.

**!** **PELIGRO:** Indica una situación de peligro inminente que, si no se evita, provocará **la muerte o lesiones graves**.

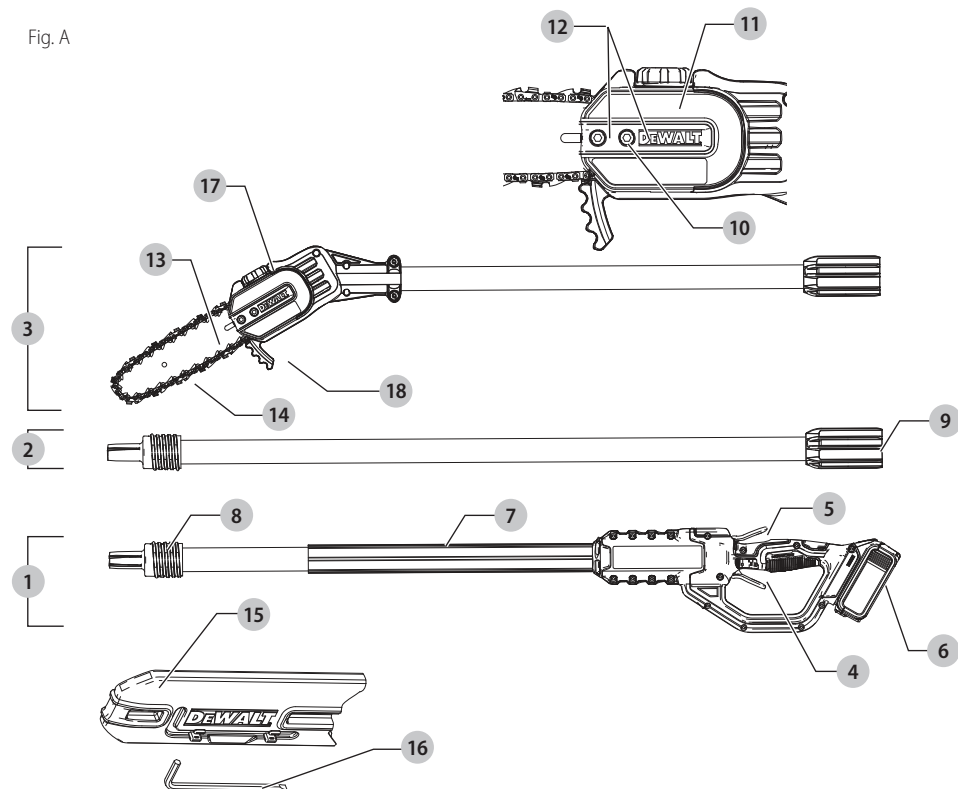
**!** **ADVERTENCIA:** Indica una situación de peligro potencial que, si no se evita, **podría provocar la muerte o lesiones graves**.

**!** **ATENCIÓN:** Indica una situación de peligro potencial que, si no se evita, **posiblemente provocaría lesiones leves o moderadas**.

**!** (Utilizado sin palabras) indica un mensaje de seguridad relacionado.

**AVISO:** Se refiere a una práctica **no relacionada a lesiones corporales** que de no evitarse **puede resultar en daños a la propiedad**.

Fig. A



## COMPONENTES

- |   |                              |    |                               |
|---|------------------------------|----|-------------------------------|
| 1 | Ensamble de manija           | 10 | Abrazadera de barra           |
| 2 | Poste de extensión central   | 11 | Cubierta de rueda dentada     |
| 3 | Ensamble de cabeza de sierra | 12 | Tornillos de cabeza hexagonal |
| 4 | Interruptor de gatillo       | 13 | Barra guía                    |
| 5 | Botón de bloqueo             | 14 | Cadena de sierra              |
| 6 | Batería                      | 15 | Vaina                         |
| 7 | Agarradera de espuma         | 16 | Llave hexagonal               |
| 8 | Poste roscado                | 17 | Tapa de aceite                |
| 9 | Camisa roscada               | 18 | Gancho de retiro de ramas     |

**!** **ADVERTENCIA:** Lea todas las advertencias de seguridad y todas las instrucciones. La falla en seguir las advertencias e instrucciones puede resultar en descarga eléctrica, incendio y/o lesiones serias.

**!** **ADVERTENCIA:** Para reducir el riesgo de lesiones, lea el manual de instrucciones.

Si tiene alguna pregunta o comentario sobre esta o cualquier herramienta DeWALT, llámenos sin cargo al: 1-800-4-DeWALT (1-800-433-9258).



## INSTRUCCIONES DE SEGURIDAD

### IMPORTANTES



**ADVERTENCIA:** Para reducir el riesgo de lesiones:

- Antes de cualquier uso, asegúrese que cualquiera que use esta unidad lea y entienda todas las instrucciones de seguridad y otra información contenida en este manual.
- Conserve estas instrucciones y revíselas con frecuencia.



**ADVERTENCIA:** Cuando use aparatos de jardinería eléctricos, siempre se deben seguir las precauciones de seguridad básica para reducir el riesgo de incendio, descarga eléctrica, y lesiones personales, incluyendo las siguientes.

1. **Evite ambientes peligrosos** – No use aparatos en ubicaciones mojadas o húmedas.
2. **No use en lluvia.**
3. **Mantenga a los niños alejados** – Todos los visitantes deben mantener una distancia del área de trabajo.
4. **Use vestimenta apropiada** – No use ropa holgada o joyería. Pueden quedar atrapados en las partes móviles. Se recomienda el uso de guantes de hule y calzado apropiado cuando trabaje en exteriores. Use una cubierta de protección para el cabello para cubrir el cabello largo.
5. **Use gafas de seguridad** – También use una careta o máscara de polvo si la operación produce polvo.
6. **Utilice el aparato correcto** – No utilice el aparato para ningún trabajo excepto para el que está diseñado.
7. **No sujete las cuchillas de corte expuestas ni los bordes de corte cuando levante o sostenga el aparato.**
8. **No fuerce el aparato** – Hará el trabajo mejor y con menos probabilidad de un riesgo de lesión en la velocidad para la que se diseñó.
9. **No se estire en exceso** – Mantenga la pisada y equilibrio adecuados en todo momento.
10. **Permanezca alerta** – Observe lo que está haciendo. Utilice el sentido común. No opere el aparato cuando esté cansado.
11. **Desconecte el aparato** – Retire la batería cuando no esté en uso, antes de realizar el mantenimiento, al cambiar accesorios tales como cuchillas, y similares.
12. **Guarde los aparatos sin uso en el interior** – Cuando no los use, los aparatos deben almacenarse en interiores en lugares secos y altos o encerrados, fuera del alcance de los niños.
13. **Mantenga el aparato con cuidado** – Mantenga el borde de corte afilado y limpio para obtener el mejor desempeño y reducir el riesgo de lesiones. Siga las instrucciones para lubricar y cambiar los accesorios. Revise la fuente de energía del aparato periódicamente y, si está dañada, pida que lo reparen en instalaciones de servicio autorizadas. Mantenga las manijas secas, limpias y libres de aceite y grasa.
14. **Revise las partes dañadas** – Antes de utilizar el aparato, se debe revisar cuidadosamente una protección u otra pieza que esté dañada para determinar que funcionará

correctamente y cumplirá su función. Revise la alineación de las partes móviles, la unión de las partes móviles, la ruptura de partes, el montaje y cualquier otra condición que pueda afectar su operación. Una protección u otra parte que esté dañada se debe reparar o reemplazar apropiadamente por un centro de servicio autorizado, a menos que se indique en otra parte de este manual.

### CONSERVE ESTAS INSTRUCCIONES



**ADVERTENCIA - No opere cerca de líneas**

**eléctricas.** La unidad no ha sido diseñada para proporcionar protección contra descargas eléctricas en caso de contacto con líneas eléctricas aéreas. Consulte las normativas locales respecto a distancias seguras desde líneas eléctricas aéreas y asegúrese que la posición de operación sea segura antes de utilizar la podadora de poste de cadena de sierra.

- **Mantenga todas las partes del cuerpo alejadas de la cadena de sierra. No retire el material cortado ni sujete el material que se va a cortar cuando las cuchillas se estén moviendo. Asegúrese que el interruptor esté apagado cuando despeje el material atascado. Las cuchillas continúan girando después que se apaga.** Un momento de falta de atención mientras opera la sierra de poste puede resultar en lesiones personales serias.
- **Lleve la sierra de poste por la manija con la cadena de sierra detenida.** Cuando transporte o almacene la sierra de poste, siempre ajuste la cubierta del dispositivo de la cadena de sierra. El manejo adecuado de la sierra de poste reducirá las posibles lesiones personales a partir de la cadena de sierra.
- **Sostenga la herramienta eléctrica por las superficies de sujeción aisladas únicamente, debido a que la cuchilla del cortador puede hacer contacto con cableado oculto.** Una cadena de sierra que hagan contacto con cable "vivo" pueden tener partes de metal expuestas de la herramienta "viva" y podrían dar al operador una descarga eléctrica.
- **No use la sierra de poste en malas condiciones climáticas, especialmente cuando existe el riesgo de tormentas eléctricas.** Esto disminuye el riesgo de ser alcanzado por un rayo.
- **Siempre use las dos manos cuando opere la sierra de poste.** Sostenga la sierra de poste con ambas manos para evitar la pérdida de control.
- **Siempre use protección para la cabeza cuando opere la sierra de poste arriba de la cabeza.** La caída de escombros puede provocar lesiones personales graves.

### REGLAS DE SEGURIDAD ESPECÍFICAS



**ADVERTENCIA:** Algún polvo contiene químicos conocidos por el Estado de California que causan cáncer, defectos de nacimiento u otros daños reproductivos. Algunos ejemplos de estos químicos son:

- compuestos en fertilizantes,
- compuestos en insecticidas, herbicidas y pesticidas,



- arsénico y cromo a partir de madera tratada químicamente.

Para reducir su exposición a estos químicos, use equipo de seguridad aprobado, tal como máscaras de polvo que estén diseñadas específicamente para filtrar partículas microscópicas.

- **Evite el contacto prolongado con el polvo a partir de lijado, aserrado, pulido, perforación eléctricos y otras actividades de construcción. Use ropa de protección y lave las áreas expuestas con agua y jabón.** Permitir que el polvo entre en su boca, ojos, o que quede sobre la piel puede promover la absorción de químicos peligrosos.



**ADVERTENCIA: El uso de esta herramienta puede generar y/o dispersar polvo, que puede causar lesiones respiratorias serias y permanentes u otras lesiones.** Siempre use protección respiratoria aprobada por NIOSH/OSHA apropiada para la exposición de polvo. Dirija las partículas lejos de la cara y el cuerpo.



**PELIGRO:** Use protección auditiva personal adecuada durante el uso. Bajo algunas condiciones y duración de uso, el ruido de este producto puede contribuir con la pérdida auditiva.

## Antes de operar la sierra de poste

- **Para una operación segura, lea y comprenda todas las instrucciones antes de usar la sierra de poste.** Siga todas las instrucciones de seguridad. La falla en seguir todas las instrucciones de seguridad indicadas a continuación puede ocasionar lesiones personales graves.
- **Observe lo que está haciendo.** Utilice el sentido común. No opere la sierra de poste cuando esté cansado.
- **Use la sierra de poste para cortar ramas de árbol únicamente.** No use la sierra de poste para fines no pretendidos. No la use para cortar otros artículos.
- **Sólo adultos bien capacitados deben operar la sierra de poste.** Nunca permita que los niños lo operen.
- **No permita que niños o personas sin capacitación usen esta unidad.**
- Use el siguiente equipo de seguridad cuando opere la sierra de poste:
  - guantes resistentes
  - calzado de seguridad con punta de acero con suelas anti-derrapantes
  - gafas de seguridad, gafas o pantalla facial que estén marcadas para cumplir con ANSI Z87
  - casco de seguridad marcado para cumplir con ANSI Z89.1
  - audífonos o tapones para oídos
  - máscara de cara o polvo (si trabaja en áreas polvorientas)
- **Use pantalones largos pesados y botas.** No use ropa holgada, pantalones cortos, joyas de ningún tipo, ni esté descalzo.
- **Asegure el cabello largo para que esté por encima del nivel de los hombros para evitar enredos en las partes móviles.**

- Antes de cortar, siempre proporcione lo siguiente:
  - área de trabajo libre
  - colocación segura de los pies
  - camino de retiro planeado de ramas caídas
- Revise el árbol antes de cortar. Permita que las ramas caigan libremente al suelo.
- No use su sierra de poste para cortar retoños.

## Mientras opera la sierra de poste



**PELIGRO: Para reducir el riesgo de descarga eléctrica no use en superficies húmedas.** No lo exponga a la lluvia. Almacene en interiores.



**PELIGRO: Evite el arranque inadvertido** – no lleve el aparato con el dedo en el interruptor con la batería instalada. Asegúrese que el interruptor esté apagado cuando instale la batería.

- Manténgase alerta. Use el sentido común mientras opera la unidad.
- Mantenga el área de trabajo limpia. Las áreas desordenadas pueden provocar lesiones.
- Siempre retire la batería cuando termine de cortar o cuando deje la sierra desatendida.
- Mantenga a los niños, animales y transeúntes a una distancia de por lo menos 50' (15 m) de la sierra de poste. Sólo el usuario de la sierra de poste debe estar en el área de trabajo.
- No use la sierra de poste para cortar árboles.
- No sujete la cadena de sierra expuesta cuando levante o sostenga la sierra de poste.
- Sujete la sierra de poste firmemente - una mano en el poste, y la otra en la manija.
- Mantenga el dedo fuera del gatillo hasta que esté listo para realizar el corte.
- Antes de arrancar la sierra de poste, asegúrese que la cadena no esté tocando nada.
- Mantenga todas las partes del cuerpo alejadas de la cadena cuando la sierra de poste esté funcionando.
- No fuerce la sierra de poste durante el corte. Aplique una ligera presión. Hará el trabajo mejor y con más seguridad en la velocidad para la que está diseñada.
- Transporte de la sierra de poste de un lugar a otro:
  - con la batería retirada,
  - dedos retirados/alejados del gatillo,
  - sosteniendo el poste en el punto de equilibrio, y
  - con la barra guía y cadena en la parte posterior y con vaina conectada.
- No corte pequeños arbustos ni retoños con la sierra de poste. La materia delgada se puede atrapar en la cadena y ser azotada hacia usted. Esto también podría hacerle perder el equilibrio.
- No opere con poca luz.
- Mantenga una posición de los pies y equilibrio firmes. No se estire. Estirarse demasiado puede provocar la pérdida de equilibrio o la exposición a superficies calientes.
- Mantenga todas las partes de su cuerpo alejadas de cualquier parte móvil.

- No utilice, bajo ninguna circunstancia, ninguna conexión o accesorio en este producto, que no se haya provisto con el mismo, o identificado como apropiado para uso con este producto en este Manual de instrucciones.
- Revise la sierra de poste antes de cada uso y después de dejarla caer u otros impactos. Asegúrese que no haya defectos o daños significativos.

## No opere la sierra de poste:

- bajo la influencia de alcohol, medicamentos o drogas.
- en lluvia o en áreas húmedas o mojadas.
- donde hayan líquidos o gases altamente inflamables presentes.
- si la sierra de poste está dañada, ajustada incorrectamente, o no ensamblada completamente y de forma segura.
- si el gatillo no enciende y apaga la sierra de poste. La cadena debe dejar de moverse cuando libera el gatillo. Pida que el interruptor defectuoso sea reemplazado por un centro de servicio autorizado. Consulte **Accesorios en Mantenimiento**.
- si tiene prisa.
- mientras está en un árbol o en una escalera.
- mientras se encuentra en plataformas aéreas, cubos o plataformas.
- durante vientos fuertes o clima de tormenta.

## REGLAS GENERALES DE SEGURIDAD



**PELIGRO: Riesgo de descarga eléctrica.** Lesiones graves o muerte por electrocución si se hace contacto con líneas eléctricas. Nunca use cerca de fuentes eléctricas, cables o líneas eléctricas.



**ADVERTENCIA: Para una operación segura, lea y entienda el manual del propietario.** Use protección facial (y/o anteojos de seguridad) y casco para protegerse contra la caída de escombros. Tenga siempre un área de trabajo despejada, una ruta de escape y esté consciente de la ubicación de la rama para evitar la caída de ramas y escombros. Mantenga a los transeúntes a 50 pies (15 m) de distancia cuando opere la sierra. Para reducir el riesgo de descarga eléctrica no use en superficies húmedas. No lo exponga a la lluvia. Almacene en interiores.

- Para protegerse de las ramas que caen, no se pare directamente debajo de la rama que se va a cortar. Esta unidad no debe mantenerse en un ángulo de más de 60° desde el nivel del suelo.
- Mantenga las manijas secas, limpias y libres de aceite.
- Antes de encender la unidad, asegúrese que la cadena no esté en contacto con ningún objeto.
- Asegúrese que la cadena de corte se haya detenido antes de bajar la unidad.

## Servicio

- El servicio de herramientas debe ser realizado sólo por personal de reparación calificado. El servicio o mantenimiento realizado por personal no calificado puede ocasionar lesiones. Consulte la sección **Mantenimiento** de este manual.

- Al dar servicio a una herramienta, utilice únicamente partes de repuesto idénticas. Siga las instrucciones en la sección **Mantenimiento** de este manual. El uso de partes no autorizadas o el incumplimiento de las instrucciones de mantenimiento pueden crear un riesgo de descarga eléctrica o lesiones.

## Protección contra retroceso



**ADVERTENCIA:** El RETROCESO puede ocurrir cuando la nariz o punta de la barra guía toca un objeto, o cuando la madera se cierra y atrapa la cadena de la sierra en el corte. El contacto de la punta en algunos casos puede causar una reacción inversa rapidísima, pateando la barra guía hacia arriba y hacia atrás hacia el operador. Si atrapa la cadena de la sierra a lo largo de la parte superior de la barra guía, puede empujar la barra guía rápidamente hacia atrás hacia el operador. Cualquiera de estas reacciones puede hacer que pierda el control de la sierra, lo que podría ocasionar lesiones personales graves al usuario.



**Se deben seguir las siguientes precauciones para minimizar el retroceso:**

- Sujete la sierra de poste firmemente. Sostenga la sierra firmemente con ambas manos cuando la unidad esté funcionando. Use un agarre firme con los pulgares y dedos encerrando la manija de la sierra y el poste.
- No se estire.
- Mantenga una base de apoyo y equilibrio adecuados en todo momento.
- No permita que la punta de la barra guía haga contacto con un tronco, rama, el suelo u otra obstrucción.
- No extienda la manija de la sierra de poste por encima de la altura del hombro.
- Use dispositivos tales como cadena de retroceso reducido, sistema de frenado de cadena y barras guía especiales que reduzcan los riesgos relacionados con el retroceso.
- Utilice únicamente barras y cadenas de repuesto especificadas por el fabricante o equivalentes.
- Nunca permita que la cadena en movimiento haga contacto con ningún objeto en la punta de la barra guía.
- Mantenga el área de trabajo libre de obstrucciones, como otros árboles, ramas, rocas, vallas, tocones, etc. Elimine o evite cualquier obstrucción que pueda sufrir la cadena de la sierra mientras corta un tronco o rama en particular.
- Mantenga su cadena de sierra afilada y tensada adecuadamente. Una cadena floja o sin filo puede incrementar la posibilidad de retroceso. Revise la tensión en intervalos regulares con el motor detenido y la batería retirada.
- Comience y continúe cortando sólo con la cadena moviéndose en velocidad completa. Si la cadena se mueve en una velocidad menor, existe una mayor probabilidad que ocurra retroceso.
- Corte una rama a la vez.
- Tenga mucha precaución cuando vuelva a entrar al corte anterior. Coloque topes con puntas en la madera y permita que la cadena alcance la velocidad completa antes de continuar con el corte.

- No intente cortes de caída o cortes de barro.
- Observe respecto a ramas que cambien de posición u otras fuerzas que pudieran cerrar un corte y atrapar o caer en la cadena.

## Características de seguridad de retroceso

**! ADVERTENCIA:** Las siguientes características están incluidas en su sierra de poste para ayudar a reducir el riesgo de retroceso; sin embargo, tales características no eliminarán por completo esta peligrosa reacción. Como usuario de una sierra de poste, no confíe sólo en dispositivos de seguridad. Debe seguir todas las precauciones de seguridad, instrucciones y mantenimiento en este manual para ayudar a evitar el retroceso y otras fuerzas que pueden provocar lesiones graves.

- **Barra guía de retroceso reducido**, diseñada con una punta de radio pequeño que reduce el tamaño de la zona de peligro de retroceso en la punta de la barra. Se ha demostrado que una barra guía de retroceso reducido reduce significativamente el número y la gravedad de los retrocesos cuando se prueba de acuerdo con los requisitos de seguridad para las sierras eléctricas de cadena.
- **Cadena de retroceso bajo**, diseñada con un calibre de profundidad contorneado y un eslabón de protección que desvía la fuerza de retroceso y permite que la madera ingrese gradualmente en el cortador. Una cadena de retroceso reducido es una cadena que cumple los requerimientos de desempeño de retroceso de ANSI B175.1-2012, cuando se prueba en la muestra representativa de sierras de cadena.

## Nombres y términos de sierra de poste










- **Rueda dentada de transmisión o rueda dentada** - La parte dentada que impulsa la cadena de la sierra.
- **Barra guía** - Una estructura sólida con rieles que soporta y guía la cadena de la sierra.
- **Vaina de barra guía** - Encerramiento instalado sobre la barra guía para evitar el contacto de los dientes cuando la sierra no está en uso.
- **Retroceso** - El movimiento hacia atrás o hacia arriba, o ambos, que ocurre cuando la cadena de la sierra cerca de la punta del área superior de la barra guía entra en contacto con cualquier objeto como un tronco o rama, o cuando la madera se cierra y atrapa la cadena de sierra en el corte.
- **Cadena de retroceso reducido** - Una cadena que cumple con los requisitos de desempeño de retroceso de ANSI B175.1-2012. (cuando se prueba en una muestra representativa de sierras de cadena).
- **Barra guía de retroceso reducido** - Una barra guía que ha demostrado reducir significativamente el retroceso.
- **Reemplazo de cadena de sierra** - Una cadena que cumple con los requisitos de desempeño de retroceso de ANSI B175.1-2012 cuando se prueba con sierras de cadena específicas. Es posible que no cumpla con los requisitos de desempeño ANSI cuando se usa con otras sierras.

- **Cadena de sierra** - Un bucle de cadena que tiene dientes de corte, que corta la madera, y que es accionado por el motor y es soportado por la barra guía.
- **Amortiguador de picos (Pico)** - El diente o dientes puntiagudos para uso al podar para girar la sierra y mantener la posición durante el aserrado.
- **Interruptor** - Un dispositivo que cuando se opera completará o interrumpirá un circuito de alimentación eléctrica al motor de la sierra de cadena.
- **Interruptor de bloqueo** - Un tope móvil que evita el funcionamiento involuntario del interruptor hasta que se acciona manualmente.
- **Corte (Poda)** - Proceso de cortar ramas de un árbol.
- **Corte inferior** - Un corte hacia arriba desde la parte inferior de un tronco o rama. Esto se hace en posición de corte normal y corte con la parte superior de la barra de guía.

## Almacenamiento

1. **Almacene en interiores.** El mejor lugar de almacenamiento es aquel que es fresco y seco, alejado de la luz solar directa, exceso de calor o frío y lejos del alcance de los niños.
2. **Siempre reduzca la tensión de la cadena nuevamente después de terminar el trabajo. La cadena se contrae mientras se enfría.** Si la tensión no se reduce, puede dañar la sierra.

La etiqueta en su herramienta puede incluir los siguientes símbolos. Los símbolos y sus definiciones son los siguientes:

V .....	volts		o CA/CD..... corriente alterna o directa
Hz .....	hertz		
min .....	minutos		..... Construcción Clase II (aislamiento doble)
==== o CD .....	corriente directa		
	..... Construcción Clase I (conectada a tierra)		
... /min .....	por minuto		
BPM .....	golpes por minuto		
IPM .....	impactos por minuto		
RPM .....	revoluciones por minuto		
sfpm .....	pies de superficie por minuto		
SPM .....	carreras por minuto		
A .....	ampéres		
W .....	watts		
~ o CAC .....	corriente alterna		
			..... símbolo de alerta de seguridad
			..... radiación visible
			..... use protección respiratoria
			..... use protección para los ojos
			..... use protección auditiva
			..... lea toda la documentación

## BATERÍAS Y CARGADORES

El paquete de batería no está completamente cargado cuando se retira del cartón. Antes de usar la batería y el cargador, lea las siguientes instrucciones de seguridad y luego siga los procedimientos de carga descritos. Cuando solicite paquetes de baterías de repuesto, asegúrese de incluir el número de catálogo y el voltaje.

Su herramienta usa un cargador DEWALT. Asegúrese de leer todas las instrucciones de seguridad antes de usar su cargador. Consulte la tabla al final de este manual respecto a compatibilidad de cargadores y paquetes de batería.

**LEA TODAS LAS INSTRUCCIONES**

**Instrucciones de seguridad importantes para todos los paquetes de batería**

**⚠️ ADVERTENCIA:** Lea todas las advertencias de seguridad y todas las instrucciones para el paquete de batería, el cargador y la herramienta eléctrica. La falla en seguir las advertencias e instrucciones puede resultar en descarga eléctrica, incendio y/o lesiones serias.

- **No cargue o use el paquete de batería en atmósferas explosivas, como en la presencia de líquidos, gases o polvo inflamables.** Insertar o retirar el paquete de batería del cargador puede encender el polvo y los vapores.
- **NUNCA fuerce el paquete de batería dentro del cargador. NO modifique el paquete de batería en ninguna forma para instalarlo en un cargador no compatible ya que el paquete de batería se puede romper causando lesiones personales serias.** Consulte la tabla al final de este manual respecto a compatibilidad de las baterías y cargadores.
- **Cargue los paquetes de batería sólo en cargadores DEWALT designados.**
- **NO salpique ni sumerja en agua u otros líquidos.**
- **No almacene ni use la herramienta y el paquete de baterías en lugares donde la temperatura pueda alcanzar o exceder los 104 °F (40 °C) (como cobertizos exteriores o edificios de metal en verano).** Para obtener la mejor vida útil, guarde los paquetes de baterías en un lugar fresco y seco.  
**NOTA: No guarde los paquetes de baterías en una herramienta con el interruptor de gatillo bloqueado. Nunca sujete con cinta el interruptor de gatillo en la posición ON.**
- **No exponga un paquete de batería o herramienta/aparato a fuego o temperatura excesiva.** La exposición a fuego o temperatura mayor a 265°F (130°C) puede causar una explosión.
- **No incinere el paquete de batería incluso si está dañado severamente o está completamente agotada.** El paquete de batería pueden explotar en el fuego. Se crean humos y materiales tóxicos cuando se queman los paquetes de baterías de ion de litio.
- **Si el contenido de la batería entra en contacto con la piel, lave de inmediato el área con jabón suave y agua.** Si el líquido de la batería entra en los ojos, enjuague con agua sobre el ojo abierto durante 15 minutos o hasta que desaparezca la irritación. Si se necesita atención médica, el electrolito de la batería está compuesto por una mezcla de carbonatos orgánicos líquidos y sales de litio.

- **El contenido de las celdas de batería abiertas puede causar irritación respiratoria.** Proporcione aire fresco. Si los síntomas persisten, busque atención médica.

**⚠️ ADVERTENCIA:** Riesgo de quemadura. El líquido de la batería puede ser inflamable si se expone a chispas o llamas.

**⚠️ ADVERTENCIA:** Riesgo de Incendio. Nunca intente abrir el paquete de baterías por ninguna razón. Si la caja del paquete de baterías está agrietada o dañada, no la inserte en el cargador. No aplaste, deje caer o dañe el paquete de la batería. No use un paquete de baterías o cargador que haya recibido un golpe fuerte, se haya dejado caer, se haya aplastado o dañado de cualquier manera (por ej., perforado con un clavo, golpeado con un martillo, o pisado). Los paquetes de batería dañados se deben regresar al centro de servicio para reciclar.

**Transporte**

**⚠️ ADVERTENCIA:** Riesgo de Incendio. No guarde o lleve el paquete de batería de forma que los objetos de metal puedan tener contacto con las terminales expuestas de la batería. Por ejemplo, no coloque la batería en delantales, bolsillos, cajas de herramientas, cajas de juegos de producto, cajones, etc., con clavos sueltos, tornillos, llaves, etc. **El transporte de baterías puede provocar incendios si las terminales de la batería entran en contacto inadvertidamente con materiales conductores tales como llaves, monedas, herramientas de mano y similares.** Las Regulaciones de Material Peligroso [Transportation Hazardous Material Regulations (HMR)] del Departamento de Transporte de los EUA en realidad prohíben transportar baterías en comercio o en equipaje de mano en aviones A MENOS que estén protegidas adecuadamente contra corto circuito. Así que cuando transporte paquetes de batería individuales, asegúrese que las terminales de la batería estén protegidas y aisladas adecuadamente de materiales que pudieran entrar en contacto con ellas y causar un corto circuito.

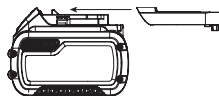
**NOTA:** Las baterías de ion de litio no se deben colocar en equipaje registrado.

**Envío de Batería DEWALT FLEXVOLT™**

La batería DEWALT FLEXVOLT™ tiene dos modos: **Uso** y **Envío**.

**Modo de uso:** Cuando la batería FLEXVOLT™ funciona de forma autónoma o está en un producto DEWALT 20V Max\*, operará como una batería 20V Max\*. Cuando la batería FLEXVOLT™ está en un producto de 60V Max\* o 120V Max\* (dos baterías de 60V Max\*), funcionará como una batería de 60V Max\*.

**Modo de envío:** Cuando la tapa está sujeta a la batería FLEXVOLT™, la batería está en modo de envío.



Las cadenas de celdas se desconectan eléctricamente dentro del paquete, lo que da como resultado tres baterías con una clasificación de Watts horas (Wh) más baja en comparación con una

batería con una clasificación de Watts hora más alta. Esta cantidad incrementada de tres baterías con la calificación de Watts hora más baja puede eximir al paquete de ciertas regulaciones de envío que se imponen a las baterías de Watts hora más altas.

La etiqueta de la batería indica dos clasificaciones de Watts hora (ver ejemplo). Dependiendo de la forma en que se envía la batería, se debe usar la clasificación de Watts hora adecuada para determinar los requisitos de envío aplicables. Si utiliza la tapa de envío, el paquete se considerará 3 baterías en la clasificación de Watts hora indicada para "Envío". Si se envía sin la tapa o en una herramienta, el paquete se considerará como una batería en la clasificación de Watts hora indicada al lado de "Uso".

Ejemplo de Marca de Etiqueta de Uso y Envío

**USO: 120 Wh Envío: 3 x 40 Wh**

Por ejemplo, la calificación de envío Wh puede indicar 3 x 40 Wh, lo que significa 3 baterías de 40 watts por hora cada una. La calificación de uso de Wh podría indicar 120 Wh (1 batería implícita).

### Paquetes de batería de indicador de combustible

Algunos paquetes de baterías DEWALT incluyen un indicador de combustible que consta de tres luces LED verdes que indican el nivel de carga restante en el paquete de baterías.

El indicador de combustible es una indicación de los niveles aproximados de carga que quedan en el paquete de baterías según los siguientes indicadores:



Para activar el indicador de combustible, mantenga presionado el botón del indicador de combustible. Una combinación de los tres LED verdes se iluminará designando el nivel de carga restante. Cuando el nivel de carga de la batería esté por debajo del límite utilizable, el indicador de combustible no se iluminará y se necesitará recargar la batería.

**NOTA:** El indicador de combustible sólo es una indicación de la carga que queda en el paquete de batería. No indica la funcionalidad de la herramienta y está sujeto a variación en base a los componentes del producto, la temperatura y la aplicación del usuario final.

Para obtener más información sobre los paquetes de batería del medidor de combustible, llame al 1-800-4-DEWALT (1-800-433-9258) o visite nuestro sitio web [www.dewalt.com](http://www.dewalt.com).

### El sello RBRC®

El sello RBRC® (Rechargeable Battery Recycling Corporation) en las baterías (o paquetes de baterías) de níquel cadmio, hidruro metálico de níquel o de iones de litio indica que los costos para reciclar estas baterías (o paquetes de baterías) al final de su vida útil ya ha sido pagado por DEWALT. En algunas áreas, es ilegal colocar baterías de níquel cadmio, hidruro metálico de níquel o de iones de litio en la basura o en el flujo de desechos sólidos municipales y el programa Call 2 Recycle® proporciona una alternativa ecológica.

Call 2 Recycle, Inc., en cooperación con DEWALT y otros usuarios de baterías, ha establecido el programa en los Estados Unidos y Canadá para facilitar la recolección de baterías de níquel cadmio, hidruro metálico de níquel o de iones de litio. Ayude a proteger nuestro medio ambiente y conservar los recursos naturales devolviendo las baterías agotadas de níquel cadmio, hidruro metálico de níquel o de iones de litio a un centro de servicio DEWALT autorizado o a su distribuidor local para su reciclaje. También puede comunicarse con su centro de reciclaje local para obtener información sobre dónde dejar la batería agotada. RBRC® es una marca comercial registrada de Call 2 Recycle, Inc.



### Instrucciones de seguridad importantes para todos los cargadores de batería



**ADVERTENCIA:** Lea todas las advertencias de seguridad y todas las instrucciones para el paquete de batería, el cargador y la herramienta eléctrica. La falla en seguir las advertencias e instrucciones puede resultar en descarga eléctrica, incendio y/o lesiones serias.

- **NO intente cargar el paquete de batería con cargadores diferentes a los de este manual.** El cargador y el paquete de batería están diseñados específicamente para funcionar juntos.
- **Estos cargadores no están destinados para ningún otro uso que no sea cargar baterías recargables DEWALT.** Cualquier otro uso puede resultar en riesgo de incendio, descarga eléctrica o electrocución.
- **No exponga el cargador a la lluvia o la nieve.**
- **Jale por el enchufe en lugar del cable cuando desconecte el cargador.** Esto reducirá el riesgo de daños al enchufe y cable eléctricos.
- **Asegúrese que el cable esté ubicado de forma que no se pueda pisar, provoque tropiezos, o de otra forma esté sujeto a daño o esfuerzo.**
- **No use un cable de extensión a menos que sea absolutamente necesario.** El uso de un cable de extensión inadecuado podría resultar en riesgo de incendio, descarga eléctrica o electrocución.
- **Cuando opere un cargador al aire libre, proporcione siempre un lugar seco y use un cable de extensión adecuado para uso en exteriores.** El uso de un cable adecuado para uso en exteriores reduce el riesgo de descarga eléctrica.



- **Un cable de extensión debe tener un tamaño de cable adecuado (AWG o American Wire Gauge) por seguridad.** Mientras menor es el número de calibre del cable, mayor es la capacidad del cable, es decir, el calibre 16 tiene más capacidad que el calibre 18. Un cable de tamaño inferior causará una caída en el voltaje en línea que resulta en una pérdida de energía y sobrecalentamiento. Cuando use más de una extensión para completar la longitud total, asegúrese que cada extensión individual contenga al menos el tamaño mínimo de cable. La siguiente tabla muestra el tamaño correcto a usar dependiendo de la longitud del cable y la clasificación de amperes de la placa de identificación. Si tiene duda, use el calibre más pesado siguiente. Cuanto menor sea el número de calibre, más pesado será el cable.

**Calibre mínimo para juegos de cable**

Voltios		Longitud total de cable en pies (metros)			
120 V		25 (7.6)	50 (15.2)	100 (30.5)	150 (45.7)
240 V		50 (15.2)	100 (30.5)	200 (61.0)	300 (91.4)
Clasificación de amperes		American Wire Gauge			
Mayor a	No mayor a				
0	6	18	16	16	14
6	10	18	16	14	12
10	12	16	16	14	12
12	16	14	12	No recomendado	

- **No coloque ningún objeto encima del cargador ni coloque el cargador sobre una superficie blanda que pueda bloquear las ranuras de ventilación y provocar un calor interno excesivo.** Coloque el cargador en una posición lejos de cualquier fuente de calor. El cargador se ventila a través de ranuras en la parte superior e inferior del alojamiento.
- **No opere el cargador con un cable o enchufe dañado.**
- **No opere el cargador si recibió un golpe fuerte, se dejó caer o se dañó de cualquier manera.** Llévelo a un centro de servicio autorizado.
- **No desensamble el cargador; llévelo a un centro de servicio autorizado cuando se requiera servicio o reparación.** El reensamble incorrecto puede resultar en un riesgo de descarga eléctrica, electrocución o incendio.
- **Desconecte el cargador del tomacorriente antes de intentar la limpieza. Esto reducirá el riesgo de descarga eléctrica.** Retirar el paquete de batería no reducirá este riesgo.
- **NUNCA** intente conectar 2 cargadores juntos.
- **El cargador está diseñado para operar con corriente eléctrica doméstica estándar de 120V. No intente usarlo en ningún otro voltaje.** Esto no aplica al cargador de vehículos.

**⚠ ADVERTENCIA:** Riesgo de descarga eléctrica. No permita que ningún líquido entre al cargador. Puede producirse una descarga eléctrica.

**⚠ ADVERTENCIA:** Riesgo de quemadura. No sumerja la batería en ningún líquido ni permita que ningún líquido entre en la batería. Nunca intente abrir el paquete de baterías por ninguna razón. Si el alojamiento de plástico del paquete de batería se rompe o se agrieta, regréselo a un centro de servicio para reciclarlo.

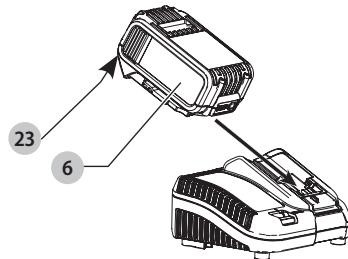
**⚠ ATENCIÓN:** Riesgo de quemadura. Para reducir el riesgo de lesiones, cargue sólo paquetes de baterías recargables DEWALT. Otros tipos de baterías pueden sobrecalentarse y explotar, causando lesiones personales y daños a la propiedad.

**AVISO:** Bajo ciertas condiciones, con el cargador conectado al suministro de alimentación, material extraño puede poner en corto circuito el cargador. Los materiales extraños de naturaleza conductiva tales como, pero sin limitarse a, polvo de pulido, rebabas de metal, lana de acero, papel aluminio, o cualquier acumulación de partículas metálicas se deben mantener alejados de las cavidades del cargador. Siempre desconecte el cargador del suministro de energía cuando no haya paquete de baterías en la cavidad. Desconecte el cargador antes de intentar limpiarlo.

**Carga de la batería**

1. Conecte el cargador en un tomacorriente apropiado antes de insertar el paquete de batería.
2. Inserte el paquete de batería **6** en el cargador, asegurándose que el paquete de batería esté completamente asentado en el cargador. La luz roja (de carga) parpadeará continuamente indicando que el proceso de carga ha comenzado.
3. La terminación de la carga se indicará por la luz roja que permanece encendida continuamente. El paquete de batería está completamente cargado y se puede usar en este momento o dejarse en el cargador. Para retirar el paquete de batería del cargador, presione el botón de liberación de la batería **23** en el paquete de batería y deslice el paquete de batería hacia afuera del cargador.

**NOTA:** Para garantizar el máximo desempeño y la vida útil de los paquetes de baterías de iones de litio, cargue la batería por completo antes del primer uso.

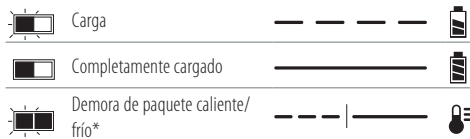


**Operación de cargador**

Consulte los indicadores a continuación para conocer el estado de carga de la batería.



DCB107, DCB112, DCB113, DCB115, DCB118, DCB132



**\*DCB107, DCB112, DCB113, DCB115, DCB118, DCB132:** La luz roja continuará parpadeando, pero se iluminará una luz indicadora amarilla durante esta operación. Una vez que la batería haya alcanzado la temperatura adecuada, la luz amarilla se apagará y el cargador reanudará el proceso de carga.

Los cargadores compatibles no cargarán una batería defectuosa. El cargador indicará un paquete de batería defectuoso al negarse a encenderse.

**NOTA:** Esto también podría significar un problema con un cargador.

Si el cargador indica un problema, lleve el cargador y la batería para que los prueben en un centro de servicio autorizado.

**Demora de paquete caliente/frío**

Cuando el cargador detecta un paquete de batería que esté demasiado caliente o demasiado frío, comienza automáticamente una Demora de Paquete Caliente/Frío, suspendiendo la carga hasta que el paquete de batería alcance una temperatura apropiada. El cargador cambia automáticamente al modo de carga del paquete. Esta característica garantiza la vida máxima del paquete de batería.

Un paquete de batería frío se cargará a un ritmo más lento que un paquete de batería caliente. La batería se cargará en tal velocidad más lenta durante todo el ciclo de carga y no volverá a la tasa de carga máxima, incluso si la batería se calienta.

El cargador DCB118 está equipado con un ventilador interno diseñado para enfriar el paquete de batería. El ventilador se encenderá automáticamente cuando el paquete de batería se necesite enfriar.

Nunca opere el cargador si el ventilador no funciona correctamente o si las ranuras de ventilación están bloqueadas. No permita que objetos extraños ingresen al interior del cargador.

**Sistema de protección electrónica**

Las herramientas de ion de litio están diseñadas con un Sistema de Protección Electrónica que protegerá el paquete de batería contra sobrecarga, sobrecalentamiento o descarga profunda.

La herramienta se apagará automáticamente si se activa el sistema de protección electrónica. Si esto ocurre, coloque la batería de ion de litio en el cargador hasta que esté completamente cargada.

**Montaje en pared**

**DCB107, DCB112, DCB113, DCB115, DCB118, DCB132**

Estos cargadores están diseñados para poderse montar en pared o colocarse vertical sobre una mesa o superficie

de trabajo. Si se monta en pared, localice el cargador dentro del alcance de un tomacorriente eléctrico, y lejos de una esquina u otras obstrucciones que puedan impedir el flujo de aire. Use la parte posterior del cargador como una plantilla para la ubicación de los tornillos de montaje en la pared. Instale el cargador firmemente con tornillos para Tablaroca (adquiridos por separado) por lo menos de 1" (25,4 mm) de largo, con un diámetro de cabeza de tornillo de 0,28–0,35" (7–9 mm), atornillados en madera a una profundidad óptima dejando aproximadamente 7/32 (5,5 mm) de tornillo expuesto. Alinee las ranuras en la parte posterior del cargador con los tornillos expuestos y conéctelos completamente dentro de las ranuras.

**Instrucciones de limpieza de cargador**

**⚠ ADVERTENCIA:** *Riesgo de descarga eléctrica. Desconecte el cargador del tomacorriente CA antes de limpiar. La suciedad y la grasa se pueden retirar del exterior del cargador con una tela o cepillo no metálico suave. No use agua o ninguna solución de limpieza.*

**Notas Importantes de Carga**

1. Se puede obtener una vida más prolongada y mejor desempeño si el paquete de batería se carga cuando la temperatura ambiente esté entre 65 °F y 75 °F (18 ° – 24 °C). NO cargue el paquete de batería debajo de +40 °F (+4,5 °C), o arriba de +104 °F (+40 °C). Esto es importante y evitará daño serio al paquete de batería.
2. El cargador y el paquete de baterías pueden calentarse al tacto durante la carga. Esta es una condición normal y no indica un problema. Para facilitar el enfriamiento de la batería después de su uso, evite colocar el cargador o la batería en un ambiente cálido, como en un cobertizo de metal o un remolque sin aislamiento.
3. Si la batería no se carga correctamente:
  - a. Verifique la operación del receptáculo conectando una lámpara u otro aparato;
  - b. Revise si el receptáculo está conectado a un interruptor de luz que apague la energía cuando apague las luces;
  - c. Mueva el cargador y el paquete de batería a una ubicación donde la temperatura de aire ambiente sea de aproximadamente 65 ° – 75 °F (18 ° – 24 °C);
  - d. Si persisten los problemas de carga, lleve la herramienta, el paquete de batería y el cargador a su centro de servicio local.
4. El paquete de batería se debe cargar cuando falle en producir suficiente potencia en trabajos que antes se realizaban fácilmente. NO CONTINÚE usando bajo estas condiciones. Siga el procedimiento de carga. También puede cargar un paquete parcialmente usado cuando lo desee sin ningún efecto adverso en el paquete de batería.
5. Los materiales extraños de naturaleza conductiva tales como, pero sin limitarse a, polvo de pulido, rebabas de metal, lana de acero, papel aluminio, o cualquier acumulación de partículas metálicas se deben mantener

alejados de las cavidades del cargador. Siempre desconecte el cargador del suministro de energía cuando no haya paquete de baterías en la cavidad. Desconecte el cargador antes de intentar limpiarlo.

6. No congele ni sumerja el cargador en agua ni en ningún otro líquido.

## Recomendaciones de almacenamiento

1. El mejor lugar de almacenamiento es aquel que es fresco y seco, alejado de la luz solar directa y del exceso de calor o frío.
2. Para almacenamiento prolongado, se recomienda guardar un paquete de batería completamente cargado en un lugar seco y fresco fuera del cargador para resultados óptimos.

**NOTA:** Los paquetes de batería no se deben guardar completamente descargados. El paquete de batería se necesitará recargar antes del uso.

## CONSERVE ESTAS INSTRUCCIONES PARA USO FUTURO

### Uso pretendido

Esta sierra de poste es ideal para aplicaciones de poda y corte de troncos de hasta 8" (203 mm) de diámetro.

**NO** use bajo condiciones húmedas o en presencia de líquidos o gases inflamables.

Esta sierra de poste es una herramienta eléctrica profesional. **NO** permita que niños estén en contacto con la herramienta. Se requiere supervisión cuando operadores sin experiencia operen esta herramienta.

## ENSAMBLE Y AJUSTES

**⚠️ ADVERTENCIA:** Para reducir el riesgo de lesiones personales, apague la unidad y retire el paquete de batería antes de realizar cualquier ajuste o retirar/instalar conexiones o accesorios. Un arranque accidental puede causar lesiones.

## Instalación y desinstalación de cadena de sierra (Fig. A–D)

**⚠️ ADVERTENCIA:** Cuchilla móvil filosa. Para evitar una operación accidental, asegúrese que la batería se desconecte de la manija antes de realizar las siguientes operaciones. Si no lo hace, podría ocasionar lesiones personales graves.

**⚠️ PELIGRO:** Cuchilla móvil filosa. Siempre use guantes de protección cuando instale o retire la cadena. La cadena está afilada y puede cortarlo cuando no está funcionando.

1. Coloque la sierra de poste sobre una superficie firme. Gire los dos tornillos de cabeza hexagonal **12** en sentido contrario a las manecillas del reloj con la llave hexagonal **16** provista.
2. Retire la cubierta de rueda dentada **11**, la abrazadera de la barra **10** y los tornillos de cabeza hexagonal.
3. Para retirar la cadena de la sierra **14**, gire el tornillo de tensión de la cadena **19** en la parte delantera de la caja

con el destornillador plano de la llave. Girar el tornillo en sentido contrario a las manecillas del reloj permite que la barra guía **13** retroceda y reduzca la tensión en la cadena para que se pueda quitar.

4. Levante la cadena de sierra desgastada fuera de la ranura en la barra guía.
5. Voltee la barra guía.
6. Para reemplazar la cadena de sierra, verifique que la ranura en la barra guía esté sobre los pasadores de ubicación **20** que se muestran en la Figura D y que el orificio debajo de la ranura esté ubicado sobre el pasador de ajuste.
7. Coloque la nueva cadena en la ranura de la barra guía y alrededor de la rueda dentada. Asegúrese que los dientes de sierra estén orientados en la dirección correcta haciendo coincidir la gráfica en el alojamiento o la barra guía.
8. Gire el tornillo de tensión de cadena **19** en la parte delantera del alojamiento en el sentido de las manecillas del reloj para aumentar la tensión de la cadena.
9. Vuelva a colocar la cubierta de la rueda dentada, la abrazadera de la barra y los tornillos de cabeza hexagonal.
10. Siga las instrucciones en la sección **Ajuste de tensión de cadena**.

Fig. B

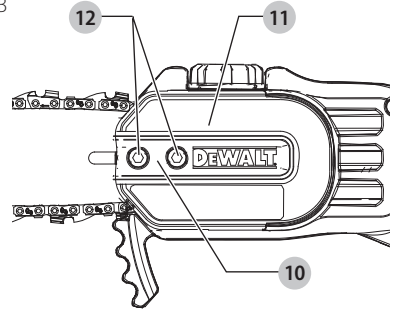


Fig. C

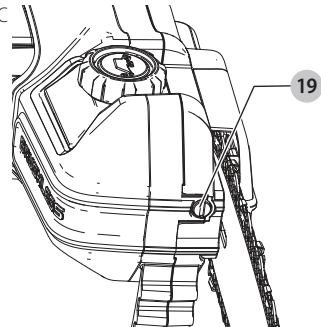
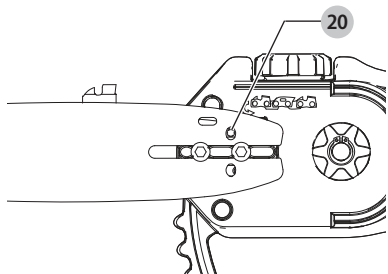


Fig. D



### Ajuste de tensión de la cadena (Fig. A, C, E, F)

1. Con la sierra de poste todavía sobre una superficie plana y firme, verifique la tensión de la cadena de la sierra **14**. La tensión es correcta cuando la cadena de sierra regresa a su posición después de jalarse 1/8" (3 mm) de la barra guía **13** con fuerza ligera del dedo medio y el pulgar, como se muestra en la Figura E. No debe haber "holgura" entre la barra guía y la cadena en la parte inferior, como se muestra en la Figura F.
2. Para ajustar la tensión de la cadena de sierra, afloje los tornillos de cabeza hexagonal **12**.
3. Gire el tornillo de tensión de la cadena **19** en la parte delantera del alojamiento usando el extremo de destornillador plano de la llave.
4. No tense demasiado la cadena de sierra ya que esto provocará un desgaste excesivo y reducirá la vida útil de la barra guía y la cadena de sierra. El exceso de tensión también reduce la cantidad de cortes que obtendrá por carga de la batería.
5. Una vez que la tensión de la cadena de sierra sea correcta, apriete los tornillos de cabeza hexagonal **12** a la barra de abrazadera.
6. Cuando la cadena de sierra es nueva, verifique la tensión con frecuencia (después de desconectar la batería) durante las primeras 2 horas de uso, ya que una cadena nueva se estira ligeramente.

**NOTA:** La tensión de la cadena de sierra debe ajustarse regularmente.

Fig. E

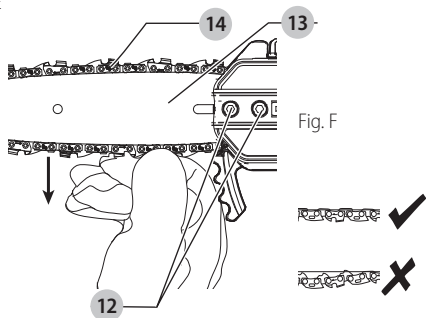


Fig. F

## Cadena de sierra y lubricación de la barra guía (Fig. G)

### Sistema de lubricación automática

Esta sierra de poste está equipada con un sistema de lubricación automática que mantiene la cadena de la sierra y la barra guía constantemente lubricadas. El indicador de nivel de aceite (25) muestra el nivel de aceite en la sierra de cadena. Si el nivel de aceite está menos de un cuarto lleno, retire la batería de la sierra de poste y rellénela con el tipo correcto de aceite.

**NOTA:** Siempre vacíe el tanque de aceite cuando termine de cortar.

**NOTA:** Use una barra de alta calidad y aceite de cadena para una lubricación adecuada de la cadena y la barra. Como un sustituto temporal, se puede usar un aceite de motor de peso SAE30 sin detergente. El uso de una barra de base vegetal y aceite de cadena se recomienda para podar árboles. El aceite mineral no se recomienda porque puede dañar los árboles. Nunca utilice aceite de desecho o aceite muy espeso. Estos pueden dañar su sierra de poste.

### Llenado del depósito de aceite

- Retire la tapa de aceite **17** y rellene el depósito con la barra recomendada y aceite de cadena hasta que el nivel de aceite haya alcanzado la parte superior del indicador de nivel de aceite **25**.
- Vuelva a colocar la tapa del aceite.
- Periódicamente, apague la sierra de cadena y verifique el indicador de nivel de aceite para asegurarse que la barra y la cadena estén correctamente lubricadas.

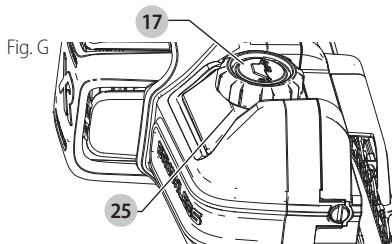


Fig. G

### Transporte de sierra de poste (Fig. A)

Retire siempre el paquete de baterías **6** del asa y cubra la cadena de la sierra **14** con la funda **15** cuando transporte la sierra de poste.

### Unión del módulo de cabezal de sierra al módulo de manija (Fig. H – K)

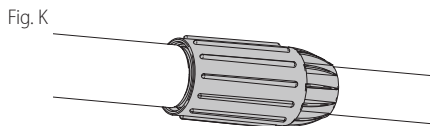
**⚠ ADVERTENCIA:** Cuchilla móvil filosa. Para evitar una operación accidental, asegúrese que la batería esté desconectada de la manija y que la funda protectora esté colocada en la cadena antes de realizar las siguientes operaciones. Si no lo hace, podría ocasionar lesiones personales graves.

Los tres ensambles que componen la sierra de poste están asegurados para garantizar un montaje correcto. Si un ensamble no se sujeta suavemente a otro, no fuerce el ajuste. La combinación del ensamble de manija **1** con el ensamble de cabezal de sierra **3** crea una sierra de poste de aproximadamente 6' (1,8 m) de longitud, como se muestra en la Figura H.

Para unir el ensamble de manija al ensamble del cabezal de sierra:

1. Alinee la ranura **21** en el exterior del extremo de acoplamiento del ensamble de la manija **1** con la lengüeta **22** en el interior del extremo del acoplamiento del ensamble del cabezal de la sierra **3**. Consulte la Figura I. Presione las dos secciones completamente entre sí. Consulte la Figura J.
2. Deslice la camisa roscada **9** en el ensamble del cabezal de la sierra hacia abajo lo más que pueda y gire la camisa en sentido de las manecillas del reloj hasta que se detenga y cubra completamente las roscas anaranjadas como se muestra en la Figura K.

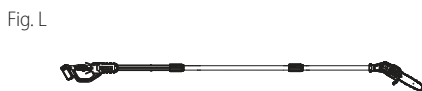
**⚠ ADVERTENCIA:** Siempre verifique que la camisa esté completamente roscada y que las roscas rojas ya no se puedan ver. Si no se enrosca la camisa por completo, los ensambles podrían desconectarse creando una situación peligrosa. Compruebe periódicamente las conexiones para asegurarse que no haya ninguna rosca roja visible.



## Unión de Extensión central a módulo de cabezal de sierra y Módulo de manija (Fig. A, L)

Al agregar la extensión central **2** al ensamble de manija **1** y al ensamble del cabezal de la sierra **3**, se crea una sierra de poste con una longitud aproximada de 10' (3 m), como se muestra en la Figura L.

Consulte **Unión de módulo de cabezal de la sierra al módulo de manija** para obtener instrucciones sobre cómo conectar el ensamble medio en el ensamble de la manija y el ensamble del cabezal de la sierra.



**⚠ ADVERTENCIA:** Siempre verifique que la camisa esté completamente roscada y que las roscas rojas ya no se puedan ver. Si no se enrosca la camisa por completo, los ensambles podrían desconectarse creando una situación peligrosa. Compruebe periódicamente las conexiones para asegurarse que no haya ninguna rosca roja visible.

## DEENSAMBLE

**⚠ ADVERTENCIA:** Para reducir el riesgo de lesiones personales serias, apague la unidad y retire el paquete de batería antes de realizar cualquier ajuste o retirar/instalar conexiones o accesorios. Un arranque accidental puede causar lesiones.

## Desconexión de módulo de cabezal de sierra (Fig. M)

**⚠ ADVERTENCIA:** Cuchilla móvil filosa. Para evitar una operación accidental, asegúrese que la batería se desconecte de la manija y que la funda de protección esté en su lugar en la cadena antes de realizar las siguientes operaciones. Si no lo hace, podría ocasionar lesiones personales graves.

Al desconectar los ensambles, ya sea en el modo de dos ensambles o tres ensambles, siempre separe primero el ensamble del cabezal de la sierra **1**. Para hacer esto, apoye el ensamble de la manija **2** en el suelo y sujete el centro del ensamble del cabezal de la sierra con una mano, como se muestra en la Figura M. Use la otra mano para aflojar la camisa roscada y luego separe las dos mitades. Repita este proceso si la extensión central estaba conectada.

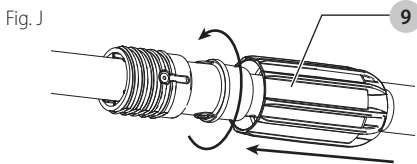
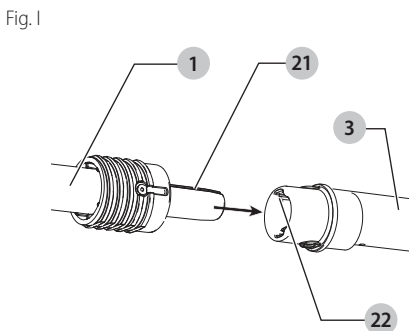
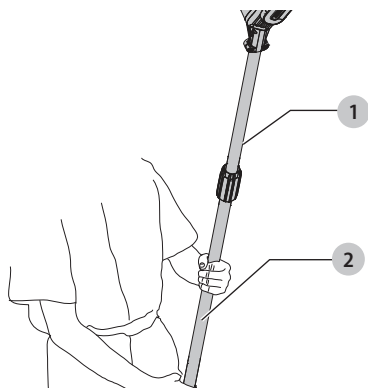


Fig. M



## OPERACIÓN

**!** **ADVERTENCIA:** Para reducir el riesgo de lesiones personales, apague la unidad y retire el paquete de batería antes de realizar cualquier ajuste o retirar/instalar conexiones o accesorios. Un arranque accidental puede causar lesiones.

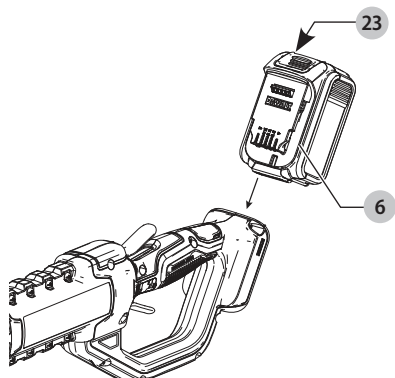
## Instalación y desinstalación de paquete de batería (Fig. N)

**NOTA:** Para mejores resultados, asegúrese que su paquete de batería esté completamente cargado.

Para instalar el paquete de batería **6** en la manija de la herramienta, alinee el paquete de la batería con los rieles dentro de la manija de la herramienta y deslícelo en la manija hasta que el paquete de batería esté asentado firmemente en la herramienta y asegúrese que no se desconecte.

Para retirar el paquete de batería de la herramienta, presione el botón de liberación **23** y jale firmemente el paquete de batería fuera de la manija de la herramienta. Insértelo en el cargador como se describe en la sección de cargador de este manual.

Fig. N



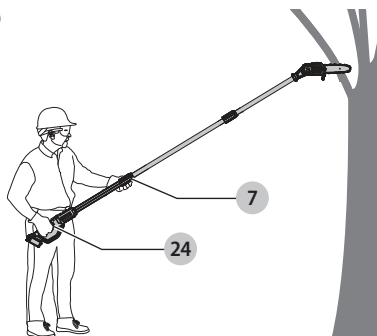
## Colocación adecuada de manos (Fig. O)

**!** **ADVERTENCIA:** Para reducir el riesgo de lesiones personales serias, **SIEMPRE** use la posición de las manos adecuada como se muestra.

**!** **ADVERTENCIA:** Para reducir el riesgo de lesiones personales serias, **SIEMPRE** sostenga firmemente en anticipación de una reacción repentina.

La posición de manos adecuada requiere una mano en la manija principal **24** y la otra sobre la agarradera de espuma **7**.

Fig. O



## Operación de sierra de poste (Fig. A)

**!** **ADVERTENCIA:** Lea y entienda todas las instrucciones. La falla en seguir todas las instrucciones siguientes puede resultar en descarga eléctrica, incendio y/o lesiones personales serias.

**!** **PELIGRO:** Siempre reduzca la tensión de la cadena nuevamente después de terminar el trabajo. La cadena se contrae mientras se enfría. Si no se afloja, puede dañar la sierra de poste.

**IMPORTANTE:** Nunca opere una sierra de poste que esté dañada o mal ajustada o que no esté completamente ensamblada y segura. Asegúrese que la cadena de la sierra **14** deje de moverse cuando se suelta el interruptor de gatillo. Nunca ajuste la barra guía **13** o la cadena de la sierra cuando el motor esté en funcionamiento o la batería esté conectada.

## Corte/Poda de sierra de poste

**!** **ADVERTENCIAS:**

- **Nunca se pare directamente debajo de la rama que está cortando.** Siempre colóquese fuera del camino de escombros que caen.
- **Siempre use protección para la cabeza, los ojos, los pies y el cuerpo.** El uso de protección para el cuerpo ayuda a reducir el riesgo de lesiones al operar esta unidad.
- **Nunca se pare en una escalera u otro soporte inestable mientras usa la sierra de poste.** Siempre evite cualquier posición que pueda causarle perder el equilibrio y causar lesiones graves.
- **Mantenga a otras personas al menos a 50' (15 m) del área de trabajo.** Las distracciones pueden hacer que pierda el control.

- **Peligro de electrocución.** Para prevenir descargas, no opere dentro de 50' (15 m) de líneas eléctricas aéreas. Siempre revise el área circundante en busca de líneas eléctricas ocultas.
- **No extienda la manija del interruptor de la sierra de poste por encima de la altura del hombro.**

## Interruptor de Encendido/Apagado (Fig. P)

Siempre asegure la posición de sus pies y sujete la sierra de poste firmemente con ambas manos con el pulgar y los dedos rodeando la manija. Para ENCENDER la herramienta, jale el botón de bloqueo 5 hacia atrás con su pulgar y luego presione el interruptor de gatillo 4 con los dedos como se muestra en la Figura P. (Una vez que la herramienta esté funcionando, puede soltar el botón de bloqueo.) Para APAGAR la herramienta, libere el gatillo.

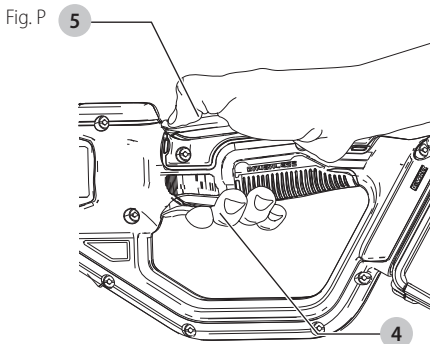


Fig. P

## Gancho de Retiro de Rama (Fig. A)

- ⚠ **PELIGRO:** El gancho de retiro de rama no es un gancho de cinturón.

Su sierra de poste incluye un gancho para retiro de rama 18 para el propósito pretendido para ayudar a retirar ramas cortadas de tamaño pequeño a moderado.

## Poda con sierra de poste (Fig. A, O, Q)

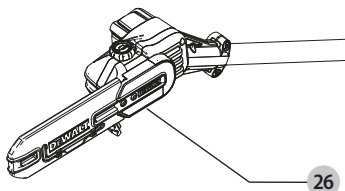
- ⚠ **ADVERTENCIA:** Deje que la herramienta funcione a su propio ritmo. No sobrecargue.
- ⚠ **ADVERTENCIA:** Cuando poda árboles: proteja contra retrocesos que pueden provocar lesiones graves o la muerte. Consulte **Protección contra retrocesos**, para evitar el riesgo de retroceso. No se estire. Asegúrese que su equilibrio sea firme. Mantenga los pies separados. Divida su peso de manera uniforme en ambos pies.

1. Use ambas manos para agarrar la sierra de poste como se muestra en la Figura O. Utilice un agarre firme. Los pulgares y los dedos deben envolverse alrededor de la manija y el poste de la sierra de poste. Mantenga los dedos alejados del conducto de escape de aserrín 26 que se muestra en la Figura Q.
2. Nunca opere mientras está en un árbol, en una posición incómoda o en una escalera u otra superficie inestable.

Puede perder el control de la sierra de poste y causar lesiones graves.

3. Siga las instrucciones a continuación para cortar un árbol.
  - a. Asegúrese que la sierra de poste esté funcionando a toda velocidad antes de hacer un corte. Al comenzar un corte, coloque la cadena de sierra en movimiento 14 contra la rama. Mantenga la sierra de poste firmemente en su lugar para evitar posibles rebotes o que patine (movimiento lateral) de la sierra de poste.
  - b. Guíe la sierra de poste con una presión ligera. Realice el primer corte a seis pulgadas 6" (152 mm) del tronco del árbol en la parte inferior de una rama. Use la parte superior de la barra guía 13 para realizar este corte. Corte 1/3 a través del diámetro de la rama. Después realice el corte de acabado desde la parte superior. Si intenta cortar ramas gruesas desde la parte inferior, la rama se puede cerrar y atrapar la cadena de la sierra en el corte. Si intenta cortar las ramas gruesas desde la parte superior, sin un corte inferior poco profundo, la rama se puede astillar. No fuerce la sierra de poste. El motor se sobrecargará y puede quemarse. Hará el trabajo mejor y con más seguridad en la velocidad para la que está diseñada.
  - c. Retire la sierra de poste del corte mientras está funcionando a toda velocidad. Detenga la sierra de poste soltando el interruptor de gatillo 4. Asegúrese que la cadena de sierra se haya detenido antes de bajar la sierra de poste.

Fig. Q



## Afilado de cadena de sierra

- ⚠ **PELIGRO:** Cadena filosa. Siempre use guantes de protección cuando maneje la cadena. La cadena está afilada y puede cortarlo cuando no está funcionando.

**IMPORTANTE:** Los cortadores de cadena perderán filo inmediatamente si tocan el suelo, piedras, mampostería o un clavo durante el corte.

Para obtener el mejor rendimiento posible de su sierra de cadena, es importante mantener afilados los dientes de la cadena de sierra. Los servicios de afilado de cadena están disponibles en su centro de servicio DEWALT más cercano.

**NOTA:** Cada vez que se afila la cadena de sierra, pierde algunas de las cualidades de retroceso reducido y se debe tener especial precaución. Se recomienda afilar una cadena de sierra no más de cuatro veces.

## MANTENIMIENTO

- ⚠ **ADVERTENCIA:** Para reducir el riesgo de lesiones personales, apague la unidad y retire el paquete de batería antes de realizar cualquier ajuste



**o retirar/instalar conexiones o accesorios.** Un arranque accidental puede causar lesiones.

El mantenimiento regular asegura una vida útil larga y efectiva para la herramienta. Después de cada 10 minutos de uso, asegúrese de retirar la batería (¡tenga en cuenta que la cadena y la barra pueden estar calientes!) verifique la barra y la cadena para determinar la tensión y lubricación correctas conforme **Ajuste de tensión de la cadena y Lubricación de la cadena.**

## Limpeza



**ADVERTENCIA:** Sople la suciedad y polvo de todas las ventilas de aire con aire limpio y seco por lo menos una vez a la semana. Para minimizar el riesgo de lesiones de los ojos, siempre use protección para los ojos aprobada por ANSI Z87.1 cuando realice este procedimiento.



**ADVERTENCIA:** Nunca use solventes u otros químicos fuertes para limpiar las partes no metálicas de la herramienta. Estos químicos pueden debilitar los materiales plásticos usados en estas partes. Use una tela humedecida únicamente con agua y jabón suave. Nunca permita que entre líquido a la herramienta; nunca sumerja ninguna parte de la herramienta en líquido.

## Accesorios



**ADVERTENCIA:** Ya que los accesorios, diferentes a los ofrecidos por DeWALT, no se han probado con este producto, el uso de tales accesorios con esta herramienta podría ser peligroso. Para reducir el riesgo de lesiones, sólo se deben usar accesorios recomendados por DeWALT con este producto.

**La cadena y la barra de repuesto están disponibles en su centro de servicio DeWALT más cercano.**

- DCPS620 requiere la cadena de repuesto número de parte de servicio DWO1DT608. Barra de 203 mm (8 pulg) de reemplazo, número de parte de servicio DWZCSB8.

Los accesorios recomendados para uso con su herramienta están disponibles por un costo adicional a partir de

su distribuidor local o centro de servicio autorizado. Si necesita asistencia para localizar cualquier accesorio, por favor póngase en contacto con DeWALT Industrial Tool Co., 701 East Joppa Road, Towson, MD 21286, llame al 1-800-4-DeWALT (1-800-433-9258) o visite nuestra página de Internet: [www.dewalt.com](http://www.dewalt.com).

## Reparaciones

No se puede dar servicio al cargador y al paquete de batería.



**ADVERTENCIA:** Para garantizar la **SEGURIDAD** y **CONFIABILIDAD** del producto, las reparaciones, mantenimiento y ajuste (incluyendo inspección y reemplazo de escobillas, cuando aplique) deben ser realizados por un centro de servicio de fábrica DeWALT o un centro de servicio autorizado por DeWALT. Siempre use partes de reemplazo idénticas.

## Registro en Línea

Gracias por su compra. Registre su producto ahora para:

- **SERVICIO DE GARANTÍA:** Registrar su producto lo ayudará a obtener un servicio de garantía más eficiente en caso de que exista un problema con su producto.
- **CONFIRMACIÓN DE PROPIEDAD:** En caso de una pérdida de seguro, tal como un incendio, inundación o robo, su registro de propiedad servirá como una evidencia de compra.

## ESPAÑOL

- **POR SU SEGURIDAD:** Registrar su producto nos permitirá ponernos en contacto con usted en el evento improbable que se requiera una notificación de seguridad bajo la Ley Federal de Seguridad al Consumidor.

Registre en línea en [www.dewalt.com/register](http://www.dewalt.com/register).

### Garantía limitada de tres años

DeWALT reparará o reemplazará, sin cargo, cualquier defecto debido a materiales o mano de obra defectuosos por tres años desde la fecha de compra. Esta garantía no cubre falla de partes debido al desgaste normal o abuso de la herramienta. Para detalles adicionales de la cobertura de la garantía e información de reparación de garantía, visite [www.dewalt.com](http://www.dewalt.com) o llame al 1-800-4-DeWALT (1-800-433-9258). Esta garantía no se aplica a accesorios o daño causado cuando otros hayan realizado o intentado reparaciones. ESTA GARANTÍA LIMITADA SE OTORGA EN LUGAR DE TODAS LAS DEMÁS, INCLUIDA LA GARANTÍA IMPLÍCITA DE COMERCIABILIDAD E IDONEIDAD PARA UN PROPÓSITO EN PARTICULAR, Y EXCLUYE TODOS LOS DAÑOS INCIDENTALES O EN CONSECUENCIA. Algunos estados no permiten limitaciones sobre la duración de una garantía implícita o la exclusión o limitación de daños incidentales o en consecuencia, por lo que estas limitaciones pueden no aplicarse en su caso. Esta garantía le da derechos legales específicos y puede tener otros derechos que varían en ciertos estados o provincias.

Además de la garantía, las herramientas DeWALT están cubiertas por nuestro:

#### SERVICIO GRATUITO DE 1 AÑO

DeWALT conservará la herramienta y reemplazará las partes desgastadas causadas por el uso normal, de forma gratuita, en cualquier momento durante el primer año después de la compra.

#### SERVICIO GRATUITO DE 2 AÑOS EN PAQUETES DE BATERÍA DEWALT

DC9071, DC9091, DC9096, DC9182, DC9280, DC9360, DCB120, DCB127, DCB201, DCB203BT, DCB207, DCB361

#### SERVICIO GRATUITO DE 3 AÑOS EN PAQUETES DE BATERÍA DEWALT

DCB200, DCB203, DCB204, DCB204BT, DCB205, DCB205BT, DCB206, DCB230, DCB606, DCB609, DCB612

**NOTA:** La garantía de la batería se anula si se manipula el paquete de la batería en cualquier manera. DeWALT no es responsable por cualquier lesión causada por la manipulación y puede procesar fraude de garantía hasta la mayor extensión permitida por la ley.

#### GARANTÍA DE REEMBOLSO DE SU DINERO POR 90 DÍAS

Si no está completamente satisfecho con el desempeño de su máquina herramienta, láser o clavadora DeWALT, cualquiera sea el motivo, podrá devolverlo hasta 90 días de la fecha de compra con su recibo y obtener el reembolso completo de su dinero – sin necesidad de responder a ninguna pregunta.

**AMÉRICA LATINA:** Esta garantía no se aplica a los productos que se venden en América Latina. Para los productos que se venden en América Latina, debe consultar la información de la garantía específica del país que viene en el empaque, llamar a la compañía local o visitar el sitio Web a fin de obtener esa información.

**REEMPLAZO GRATUITO DE LAS ETIQUETAS DE ADVERTENCIAS:** Si sus etiquetas de advertencia se vuelven ilegibles o faltan, llame al 1-800-433-9258 (1-800-4-DeWALT) para que se le reemplacen gratuitamente.

Solamente para propósito de México:

Importado por: DeWALT Industrial Tool Co. S.A. de C.V.

Avenida Antonio Dovali Jaime, # 70 Torre B Piso 9

Colonia La Fe, Santa Fé

Código Postal : 01210

Delegación Alvaro Obregón

México D.F.

Tel. (52) 555-326-7100

R.F.C.: BDE810626-1W7

## GUÍA DE SOLUCIÓN DE PROBLEMAS

### ASEGÚRESE DE SEGUIR LAS REGLAS DE SEGURIDAD E INSTRUCCIONES

Para asistencia con su producto, visite nuestro sitio web en [www.dewalt.com](http://www.dewalt.com) para una lista de centros de servicio, o llame a DEWALT al 1-800-4-DEWALT (1-800-433-9258).

PROBLEMA	CAUSA POSIBLE	SOLUCIÓN
La unidad no arranca.	Paquete de batería no instalado adecuadamente.	Revise la instalación del paquete de batería.
	El paquete de batería no está cargado.	Revise los requerimientos de carga del paquete de batería.
	Botón de bloqueo no accionado.	Jale hacia atrás del botón de bloqueo/accione el gatillo.
	Las conexiones de los postes no están bien apretadas.	Consulte <b>Unión del módulo de cabezal de sierra a módulo de manija</b> .
El paquete de batería no carga.	El paquete de batería no está insertado en el cargador.	Inserte el paquete de batería en el cargador hasta que el LED se ilumine.
	El cargador no está conectado.	Conecte el cargador en un tomacorriente que funcione. Consulte <b>Notas de carga importantes</b> respecto a más detalles.
	Temperatura de aire ambiente demasiado caliente o demasiado fría.	Mueva el paquete de batería a una temperatura ambiente mayor a 40 °F (4.5 °C) o menor a 140 °F (+40 °C).
Barra/cadena sobrecalentada	Cadena demasiado apretada.	Consulte <b>Ajuste de Tensión de cadena</b> .
	Se necesita lubricación.	Consulte <b>Lubricación de cadena</b> .
La cadena está suelta.	Tensión de cadena ajustada incorrectamente.	Consulte <b>Ajuste de Tensión de cadena</b> .
Calidad de corte deficiente.	Tensión de cadena ajustada incorrectamente.	Consulte <b>Ajuste de Tensión de cadena</b> . <b>NOTA:</b> Una tensión excesiva lleva a desgaste excesivo y reducción den la vida de la barra y la cadena. Lubrique después de cada 10 minutos de uso.
	La cadena necesita reemplazo.	Consulte <b>Instalación y retiro de cadena de sierra</b> .
La unidad opera pero no corta.	Cadena instalada al revés.	Consulte <b>Instalación y retiro de cadena de sierra</b> .

## DEWALT BATTERY AND CHARGER SYSTEMS

### Compatible battery packs and chargers / Blocs-piles et chargeurs compatibles / Baterías y cargadores compatibles

20V Max* Li-Ion	Battery Packs Blocos-piles Baterías	DCB200, DCB201, DCB203, DCB204, DCB204BT**, DCB205, DCB205BT**, DCB206, DCB208, DCB230, DCB240,
	Chargers Chargeurs Cargadores	DCB101, DCB103, DCB104, DCB107, DCB112, DCB113, DCB115, DCB118, DCB132
60V Max* Li-Ion	Battery Packs Blocos-piles Baterías	DCB606, DCB609, DCB612
	Chargers Chargeurs Cargadores	DCB101, DCB103, DCB104, DCB107, DCB112, DCB113, DCB115, DCB118, DCB132

\* Maximum initial battery voltage (measured without a workload) is 20 or 60 volts. Nominal voltage is 18 or 54.

\* La tension initiale maximum du bloc-piles (mesurée à vide) est de 20 ou 60 volts. La tension nominale est de 18 ou 54.

\* El máximo voltaje inicial de la batería (medido sin carga de trabajo) es 20 o 60 voltios. El voltaje nominal es de 18 o 54.

\*\*BT - Bluetooth®

**NOTE:** The Bluetooth® word mark and logos are registered trademarks owned by the Bluetooth®, SIG, Inc. and any use of such marks by DEWALT is under license. Other trademarks and trade names are those of their respective owners.

**REMARQUE :** le mot servant de marque et les logos Bluetooth® sont des marques déposées appartenant à Bluetooth SIG, Inc. et toute utilisation de ces marques par DEWALT est sous licence. Les autres marques de commerce et noms commerciaux sont ceux de leurs détenteurs respectifs.

**NOTA:** La palabra y los logotipos de Bluetooth® son marcas registradas propiedad de Bluetooth®, SIG, Inc. y DEWALT utiliza dichas marcas bajo licencia. Otras marcas comerciales y nombres comerciales pertenecen a sus respectivos propietarios.

DEWALT Industrial Tool Co., 701 East Joppa Road, Towson, MD 21286  
(APR19) Part No. N696003 DCPS620 Copyright © 2019 DEWALT

The following are trademarks for one or more DEWALT power tools: the yellow and black color scheme, the "D" shaped air intake grill, the array of pyramids on the handgrip, the kit box configuration, and the array of lozenge-shaped humps on the surface of the tool.