

5-SHELF STEEL STORAGE UNIT

MODEL(S):
UR185P-BLK
UR1848P-BLK
UR245P-BLK

Important Safety Information

 Read through this entire manual for important guidelines and instructions prior to assembly. Failure to follow these guidelines and instructions can result in property damage or serious personal injuries.

This unit should be placed on a level surface. Failure to do so can result in poor product performance or create a possible safety hazard. **DO NOT CLIMB, STAND or USE THIS UNIT AS A LADDER. TO PREVENT TIPPING, ALWAYS SECURE TO A WALL WITH SUITABLE FASTENERS, NOT INCLUDED. DO NOT USE THIS UNIT TO STORE AQUARIUMS. CAUTION: CONTAINS SMALL PARTS, KEEP CHILDREN AWAY DURING INSTALLATION. USE TWO OR MORE PEOPLE TO ASSEMBLE AND MOVE THE UNIT TO AVOID INJURY.** Do not use this unit for anything other than the manufacturer’s intended purpose. Use care when working with metal parts, wear gloves for protection. Periodically inspect the unit to ensure brace/beam rivets are properly seated into post slots. Keep this manual for future reference.



Do not exceed the maximum weight capacity of 800 lbs (362 kg) for each shelf, not to exceed 4,000 lbs (1,814 kg) for the entire shelving unit. Evenly distribute weight loads across entire shelf surface. Always store larger, heavier items on the bottom levels and small lighter items on the upper levels.

Warranty

Edsal Manufacturing Company, LLC products are guaranteed for a period of one (1) year from the date of purchase. The **SOLE AND EXCLUSIVE REMEDY** for such defects is the repair or replacement of a defective product or parts thereof by Edsal Manufacturing Company, LLC or, at Edsal Manufacturing Company, LLC option, refund of the purchase price upon return of the item to Edsal Manufacturing Company, LLC. This warranty shall not apply in the event the products are damaged as a result of misuse, neglect, accident, moisture, improper application, improper assembly, or assembly not in conformity with the instructions of Edsal Manufacturing Company, LLC, failure to abide by safety precautions prescribed by Edsal Manufacturing Company, LLC or modification or repair by persons not authorized by Edsal Manufacturing Company, LLC.

Should you have any comments, damage, missing parts, or problems with assembly of this unit contact us:

7 a.m. - 5 p.m., CST, Monday-Friday:

 Chat: www.edsal.com/contact

 Email: support@edsal.com

 Phone: 1-773-475-3131

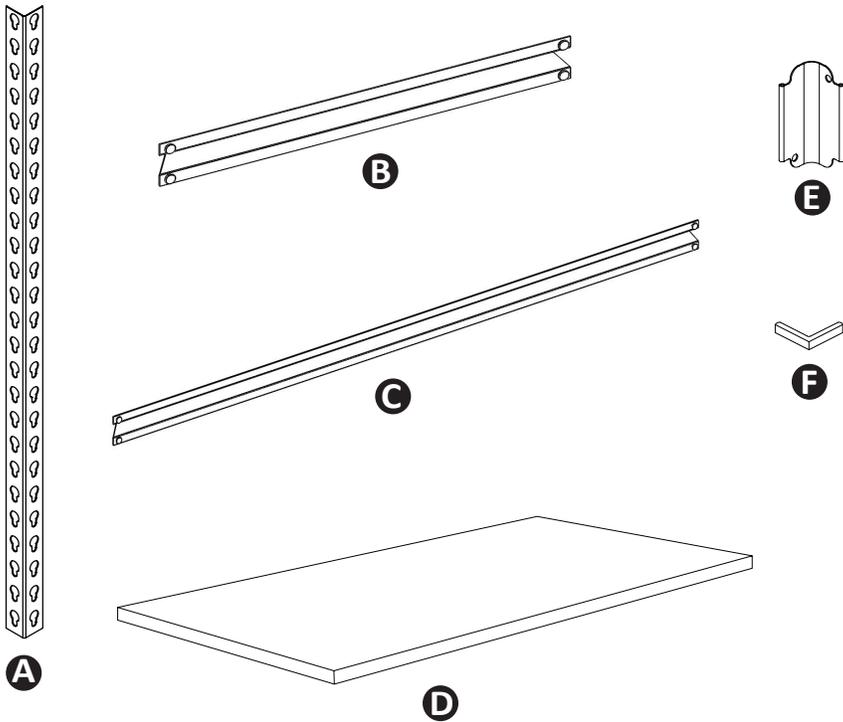
To obtain replacement parts please provide: Model Number, Part Number & Description, Store Location and Date Purchased

EDSAL MANUFACTURING CO, LLC
1555 W. 44TH STREET
CHICAGO, IL 60609

US Patents & Patents pending

rev: C050421_V2

Parts List



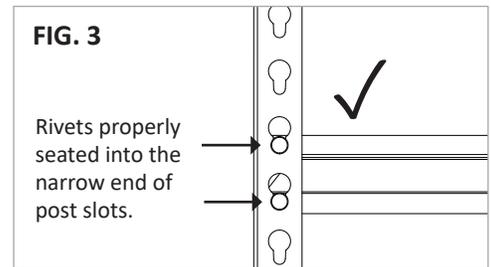
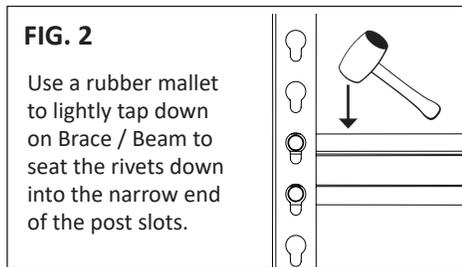
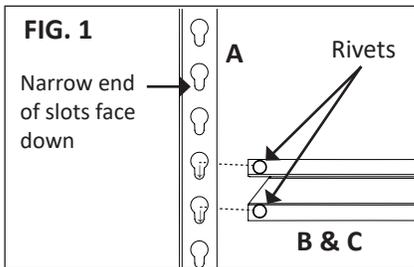
Model UR185P-BLK (36"W x 18"D x 72"H)		
Description	Qty	Part#
A. Post	8	URPS36-BLK
B. Brace	10	URBR18-BLK
C. Beam	10	URBM36-BLK
D. Particleboard Decking	5	RPB31836
E. Post Connector	4	CPIN-BLK
F. Post Cap	8	RL-PC-B1

Model UR1848P-BLK (48"W x 18"D x 72"H)		
Description	Qty	Part#
A. Post	8	URPS36-BLK
B. Brace	10	URBR18-BLK
C. Beam	10	URBM48-BLK
D. Particleboard Decking	5	RPB31848
E. Post Connector	4	CPIN-BLK
F. Post Cap	8	RL-PC-B1

Model UR245P-BLK (48"W x 24"D x 72"H)		
Description	Qty	Part#
A. Post	8	URPS36-BLK
B. Brace	10	URBR24-BLK
C. Beam	10	URBM48-BLK
D. Particleboard Decking	5	RPB32448
E. Post Connector	4	CPIN-BLK
F. Post Cap	8	RL-PC-B1

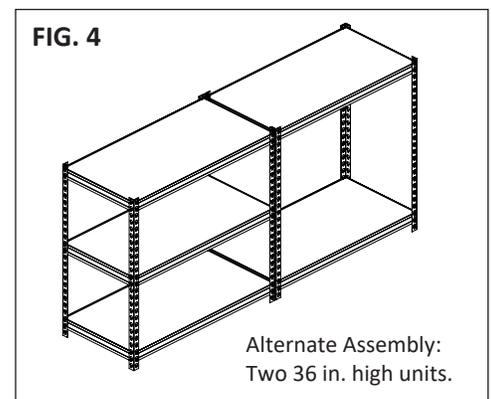
Preparation

Assembly of this unit is done by fitting the two rivets of the braces (B) and beams (C) into the keyhole slots of the post (A). The narrow end of the keyhole slots from the post must face down (see FIG.1). Braces and beams must be installed with the ledge facing up on the inside. Assemble the unit from bottom to top. It is recommended that the bottom shelf assembly be installed into the second keyhole slots at the bottom of the posts. The middle shelves should be evenly spaced. A rubber mallet should be used to tap down on the top of the braces and beams to properly seat the rivets down into the narrow end of the keyhole slots (see FIG. 2 and FIG. 3).

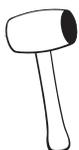


ALTERNATE ASSEMBLY

This unit can also be assembled as two separate 36 in. high units (see FIG. 4). One unit will have three shelves and the other will have two shelves. If choosing this option, follow assembly steps 2, 3, 4, 5 and 9 until all shelf levels are completed for both units. Note: Use all 8 of Post Caps (F) in final step 9. Inside Post Connectors (E) are not used for this setup.



HELPFUL TOOLS/ITEMS FOR ASSEMBLY (NOT INCLUDED):



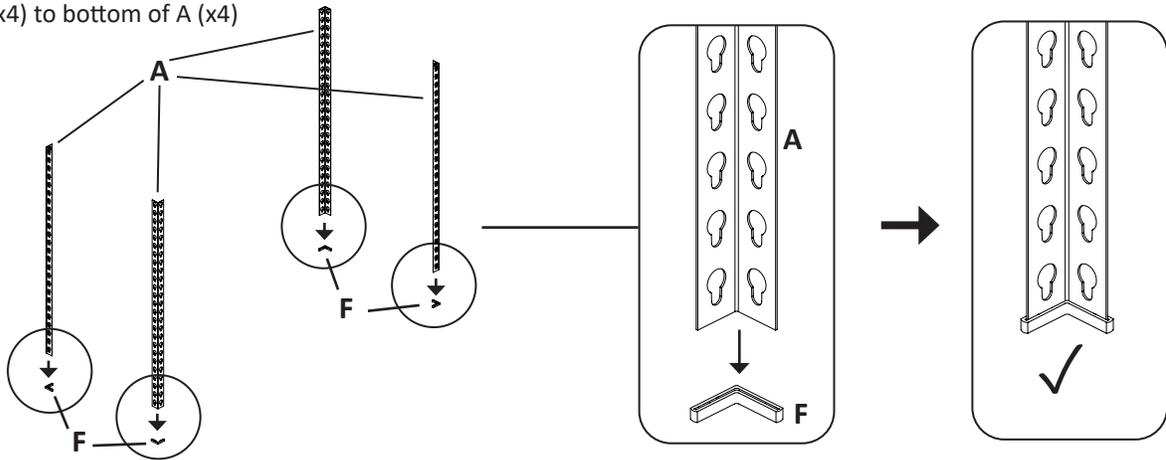
Rubber Mallet



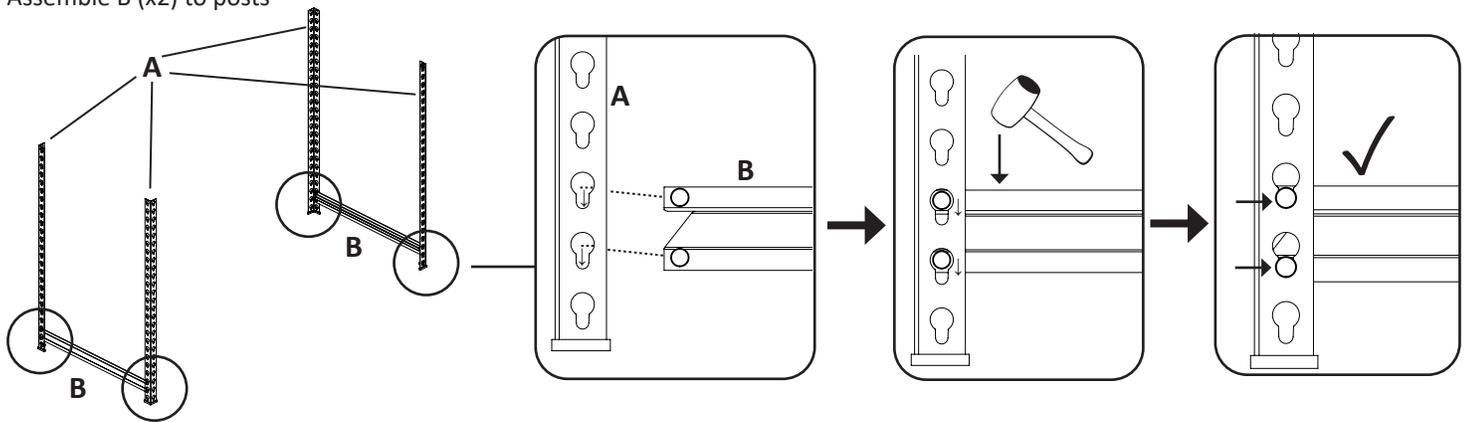
Gloves

Assembly

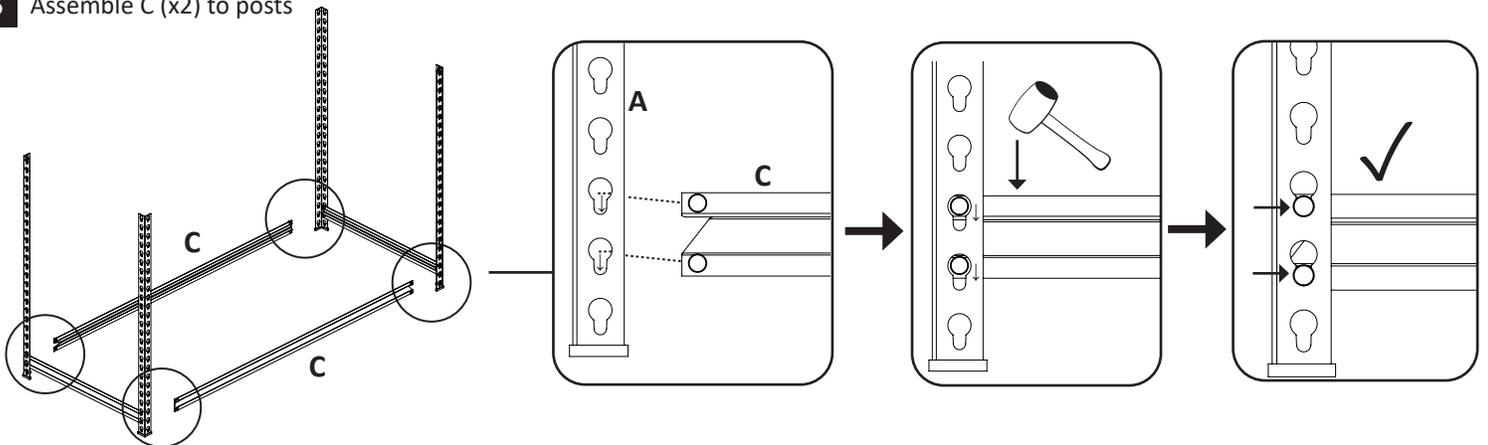
1 Assemble F (x4) to bottom of A (x4)



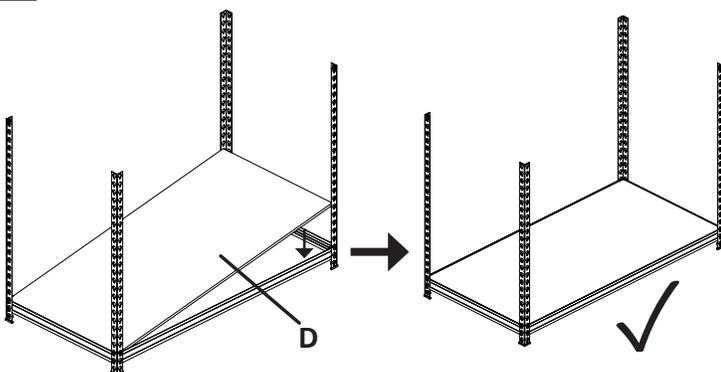
2 Assemble B (x2) to posts



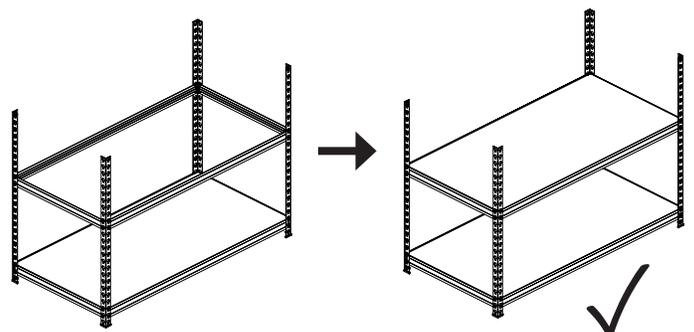
3 Assemble C (x2) to posts



4 Assemble D (x1) onto beams and braces

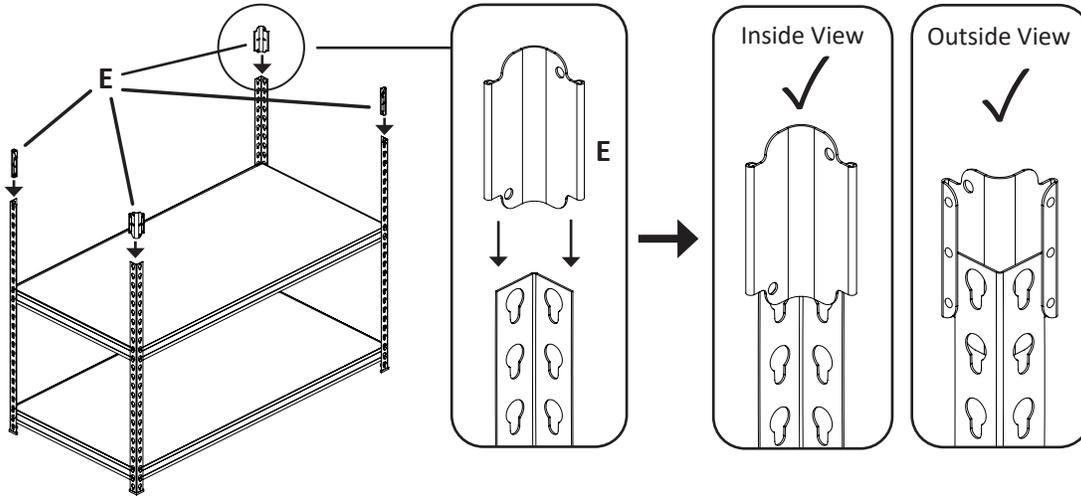


5 Assemble next shelf level using B (x2), C (x2) and D (x1) by repeating same steps as 2, 3 and 4 at the desired location



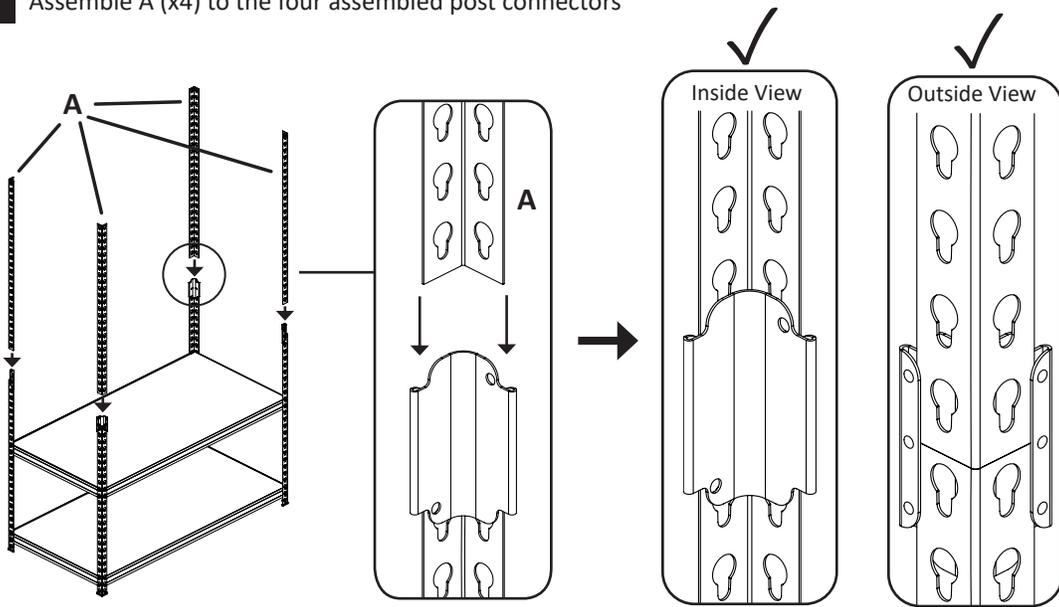
Assembly

6 Assemble E (x4) to the assembled four posts



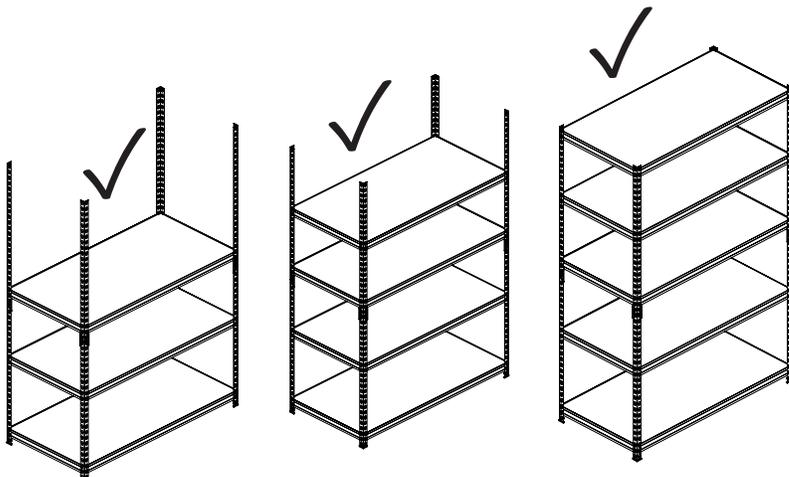
Note: A rubber mallet may be used to help secure the post connector halfway onto the post by **lightly** tapping down on the post connector once it is attached to the posts.

7 Assemble A (x4) to the four assembled post connectors



Note: A rubber mallet may be used to help secure the top posts into the post connectors by **lightly** tapping down on the post once it is attached to the post connector.

8 Assemble the final three shelf levels by repeating same steps as 2, 3 and 4 at the desired location using B (x2), C (x2) and D (x1) per level



9 Assemble F (x4) to the top of the assembled four posts

