



4D CONCEPTS

ALLENTOWN SHELF PIPING CLOTHES HOOKS

MODEL 624016

NEED ASSISTANCE ?

Call 4D CONCEPTS directly for parts or assembly assistance.

Individual stores do not stock parts

Call our Toll-free number 5 days a week except holidays:

Monday through Friday 8.00am to 5.00pm

Pacific Standard Time

www.4dconceptsusa.com

1-888-310-4DCO or 1-888-310 4326

IMPORTANT: Before calling please have the model number

and the packing code number ready for our customer service representatives.

You will find the model number printed on the carton label and the packing

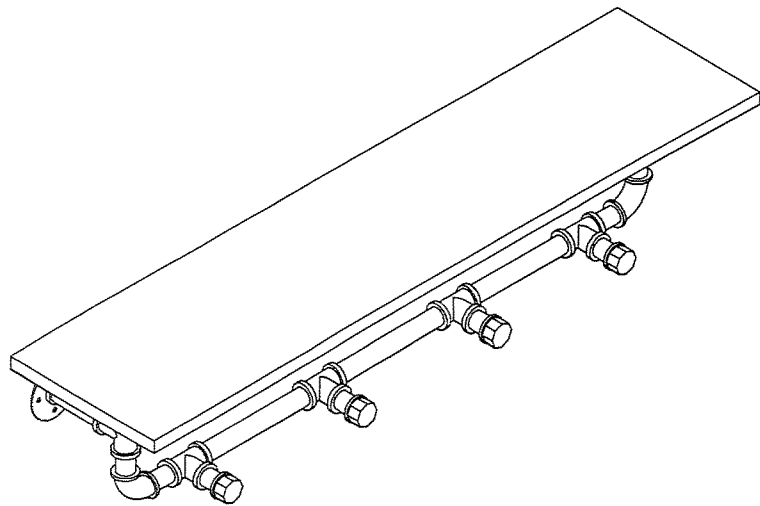
code printed in black ink on the side of the carton.

Model 624016 Packing code

It is important that you retain the model number and the packing code

along with the original receipt of purchase for future reference

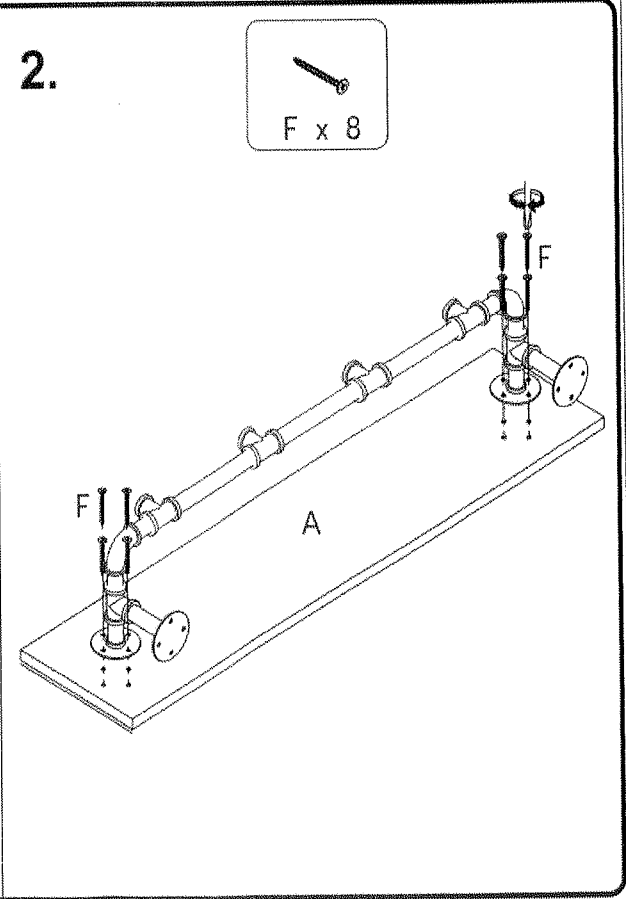
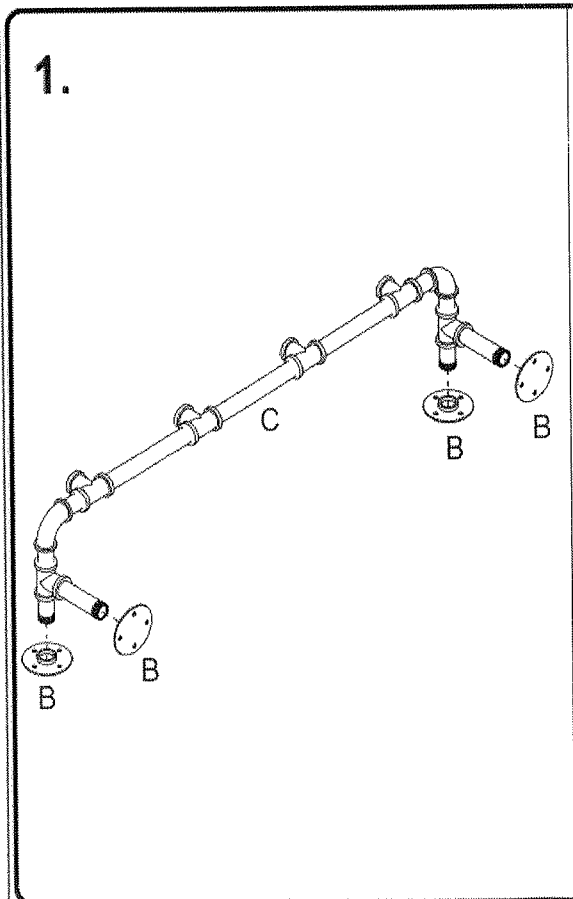
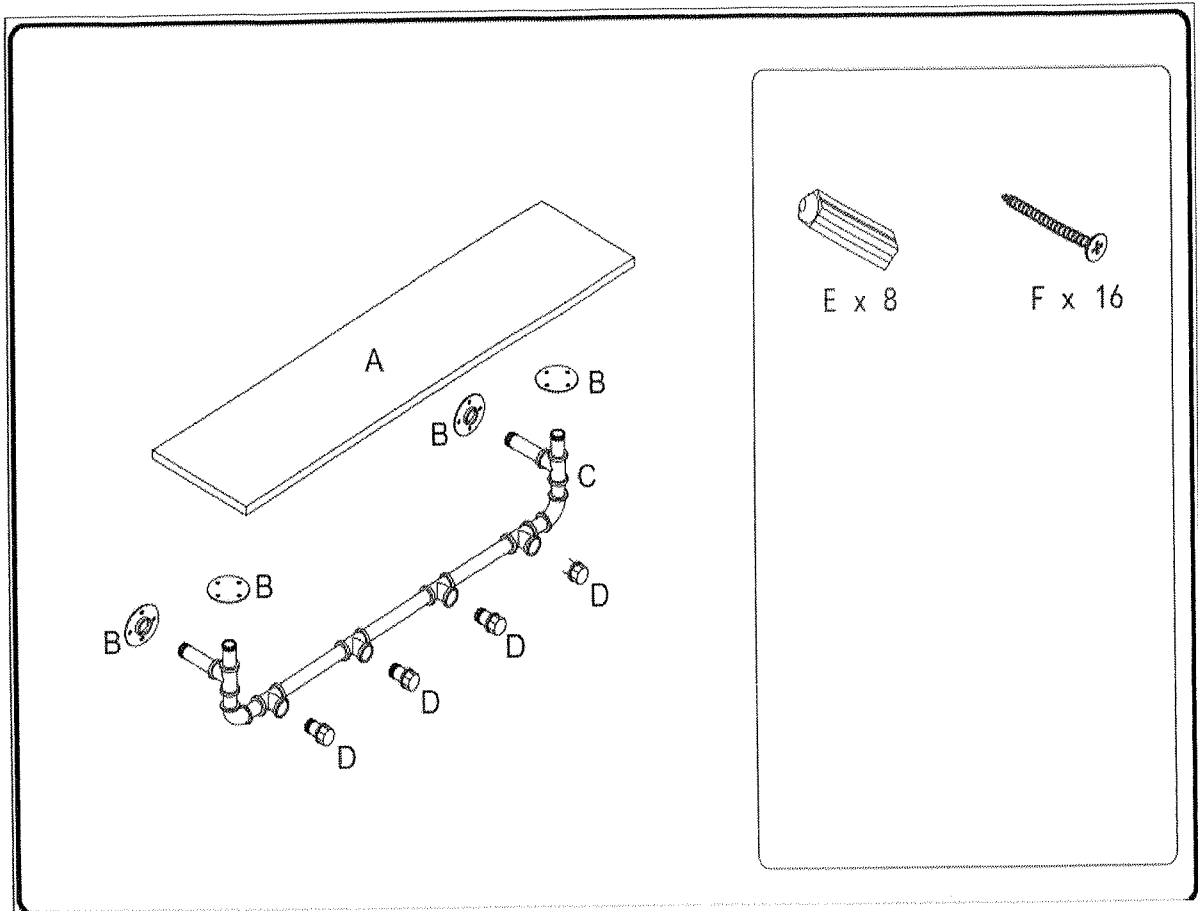
Made in China



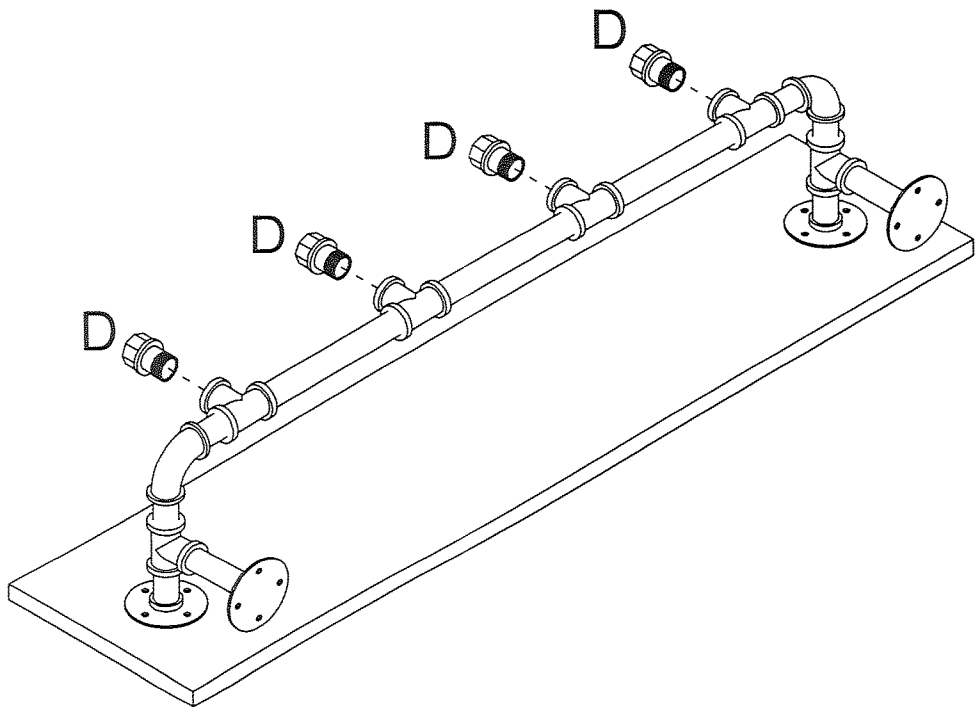
WITH EVERY PURCHASE FROM 4D CONCEPTS, YOU ARE HELPING TO CREATE BUSINESS SOLUTIONS TO POVERTY.

MEDA Find out how
www.meda.org/4D

Please note that the units must be assembled completely in order for the drawers to open and close correctly



3.



4.

