

4 DC LOUVER 2 DRAWER CONSOLE TABLE

MODEL 570979/570779/570379/570479

NEED ASSISTANCE?

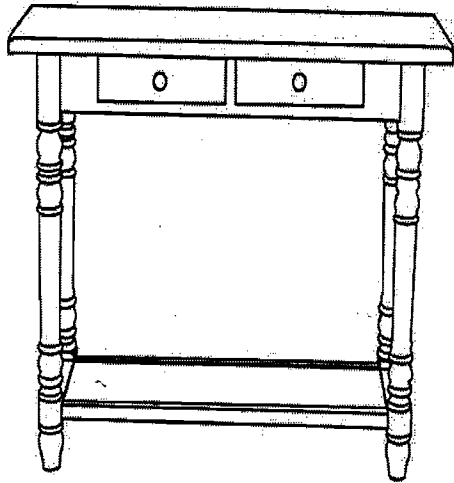
Call 4D CONCEPTS directly for parts or assembly assistance.

Individual stores do not stock parts

Call our Toll-free number 5 days a week except holidays:

Monday through Friday 8.00am to 5.00pm

Pacific Standard Time



1-888-310-4DCO or 1-888-310 4326

IMPORTANT: Before calling please have the model number and the packing code number ready for our customer service representatives. You will find the model number printed on the carton label and the packing code printed in black ink on the side of the carton.

Model 570979/570779/570379/570479 Packing code

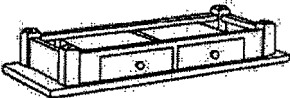
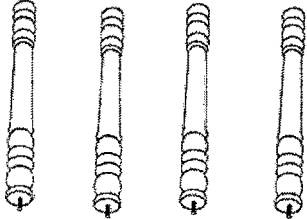
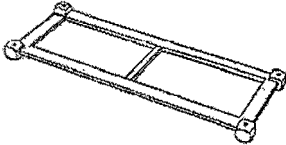
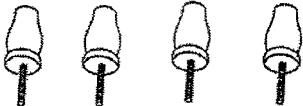
It is important that you retain the model number and the packing code along with the original receipt of purchase for future reference.

Made in China

Before you start...

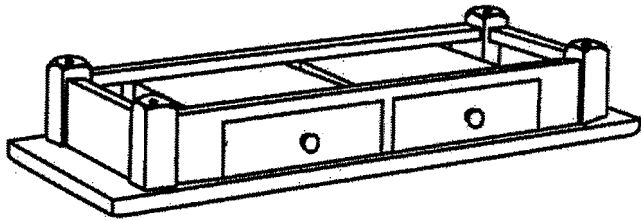
- 1. Remove all pieces from the box.
- 2. The flattened carton can be used as a work surface during assembly.

Parts List

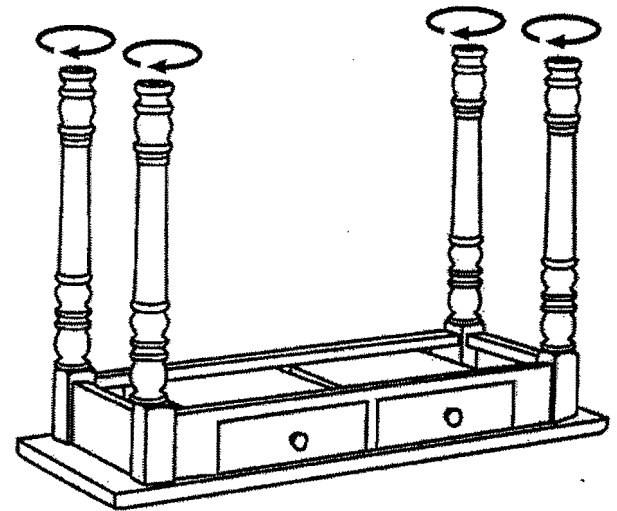
Table top:1 PC	Legs:4 PCS	Wood Shelf :1 PC	Feet:4 PCS
 A rectangular wooden table top with a central shelf and two drawers on the front side.	 Four identical wooden legs, each with a decorative fluted top and a small circular hole at the bottom.	 A rectangular wooden shelf with a central divider and rounded corners.	 Four identical wooden feet, each with a decorative top and a small circular hole at the bottom.

ASSEMBLY INSTRUCTION

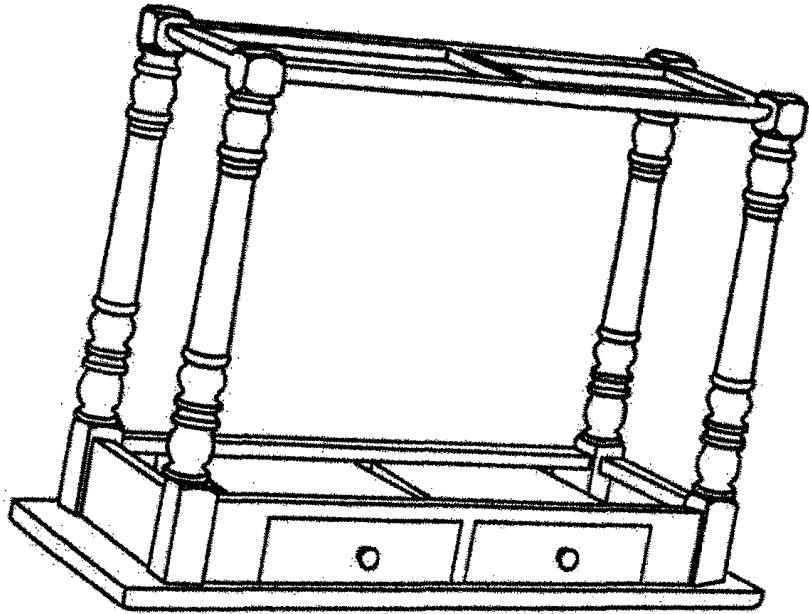
Step 1:



Step 2:



Step 3:



Step 4:

