

4 DC LOUVER 3 DRAWER ACCENT CHEST

MODEL:550397/550797/550997/550497

NEED ASSISTANCE?

Call 4D CONCEPTS directly for parts or assembly assistance.

Individual stores do not stock parts

Call our Toll-free number 5 days a week except holidays:

Monday through Friday 8.00am to 5.00pm

Pacific Standard Time



1-888-310-4DCO or 1-888-310 4326

IMPORTANT: Before calling please have the model number and the packing code number ready for our customer service representatives. You will find the model number printed on the carton label and the packing code printed in black ink on the side of the carton.

Model 550397/550797/550997/550497

Packing code

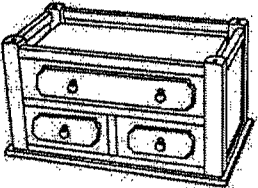
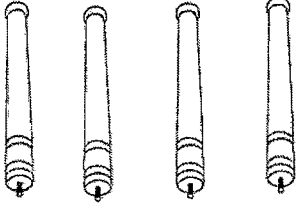
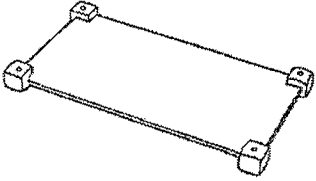
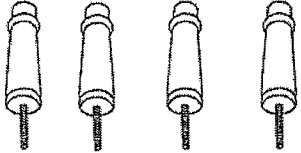
It is important that you retain the model number and the packing code along with the original receipt of purchase for future reference.

Made in China

Before you start...

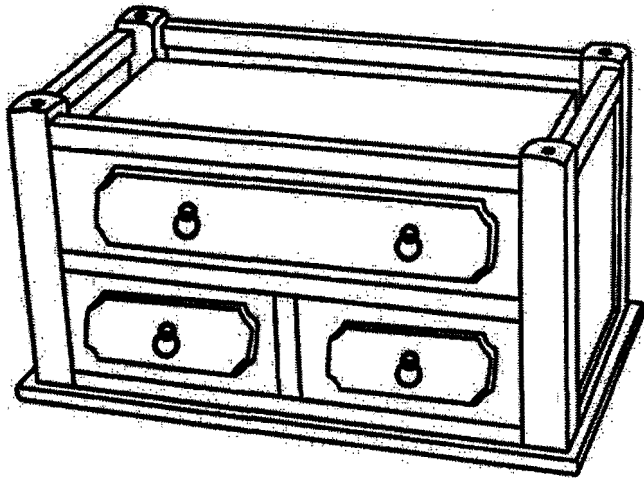
1. Remove all pieces from the box.
2. The flattened carton can be used as a work surface during assembly.

Parts List

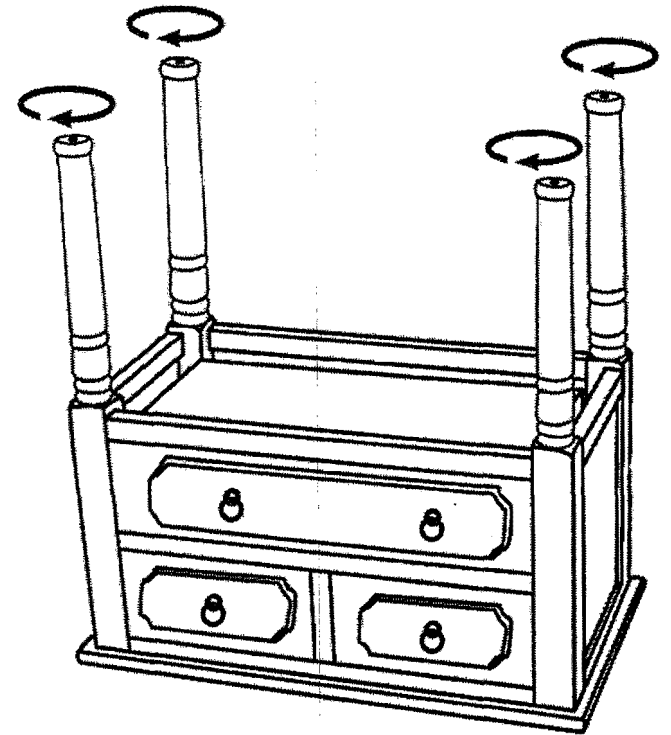
Table top:1 PC	Legs:4 PCS	Wood Shelf :1 PC	Feet:4 PCS
			

ASSEMBLY INSTRUCTION

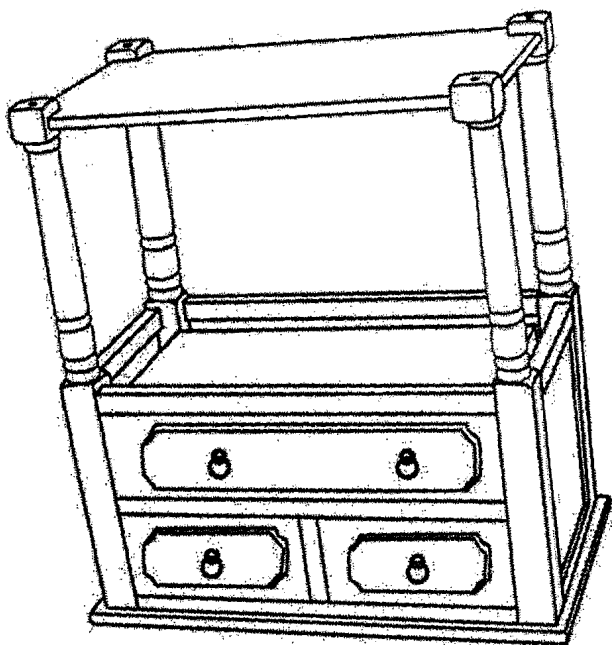
Step 1:



Step 2:



Step 3:



Step 4:

