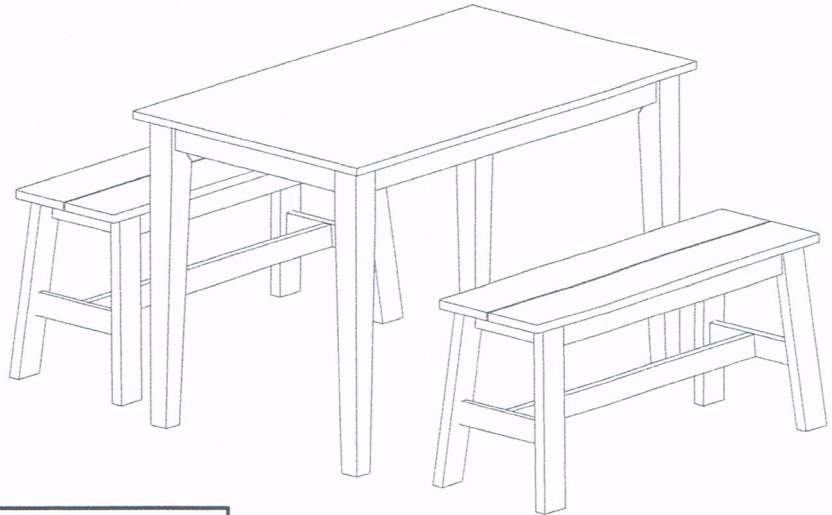


# 4DC NEW YORK TABLE AND TWO BENCHES

MODEL: 534110



WITH EVERY PURCHASE FROM 4D CONCEPTS, YOU ARE HELPING TO CREATE BUSINESS SOLUTIONS TO POVERTY.

**MEDA** Find out how  
[www.meda.org/4D](http://www.meda.org/4D)

## NEED ASSISTANCE ?

Call 4D Concepts directly for parts or assembly assistance.  
Individual Store do not stock parts.

Call our Toll-free number 5 days a week excepts holidays:  
Monday through Friday 8.00am to 5.00pm  
Pacific Standard Time

**1-888-310-4DCO or 1-888-310 4326**

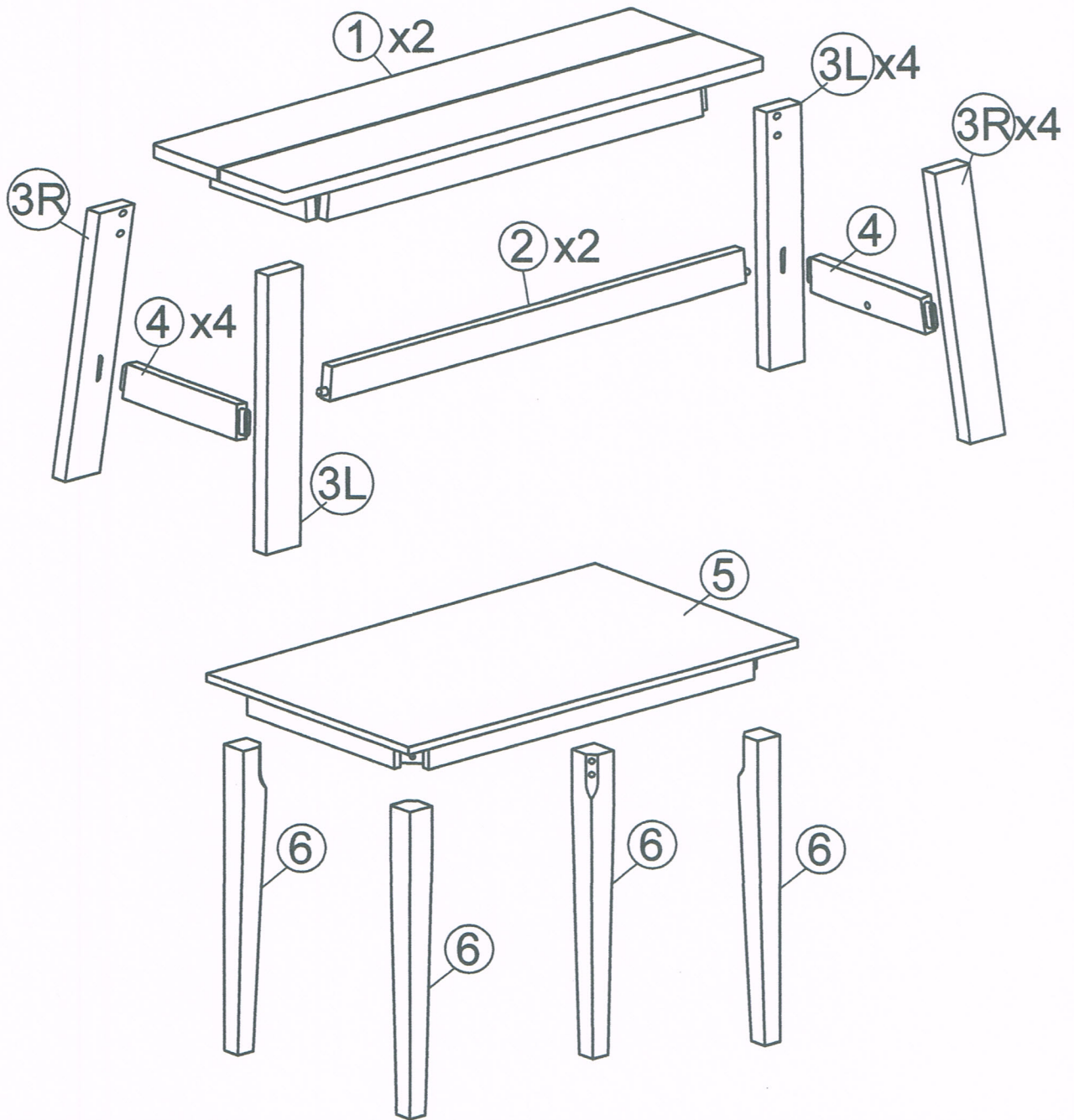
**IMPORTANT:** Before calling please have the model number  
and the packing code number ready for our customer service representatives.  
You will find the model number printed on the carton label and the packing  
code printed in black ink on the side of the carton.

Model 534110 Packing Code

It is important that you retain the model number and the packing code  
along with the original receipt of purchase for your future refrence.

Made in Malaysia  
[www.4dconceptsusa.com](http://www.4dconceptsusa.com)

# 534110 ASSEMBLY INSTRUCTION



A x 16  
(Long)



B x 8  
(Short)



C x 24



D x 24



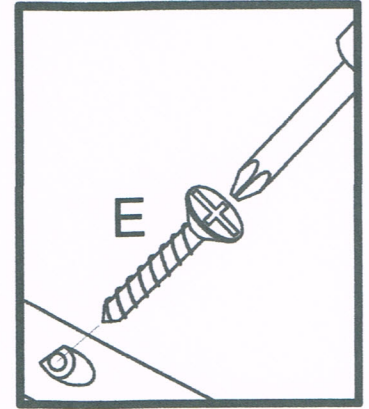
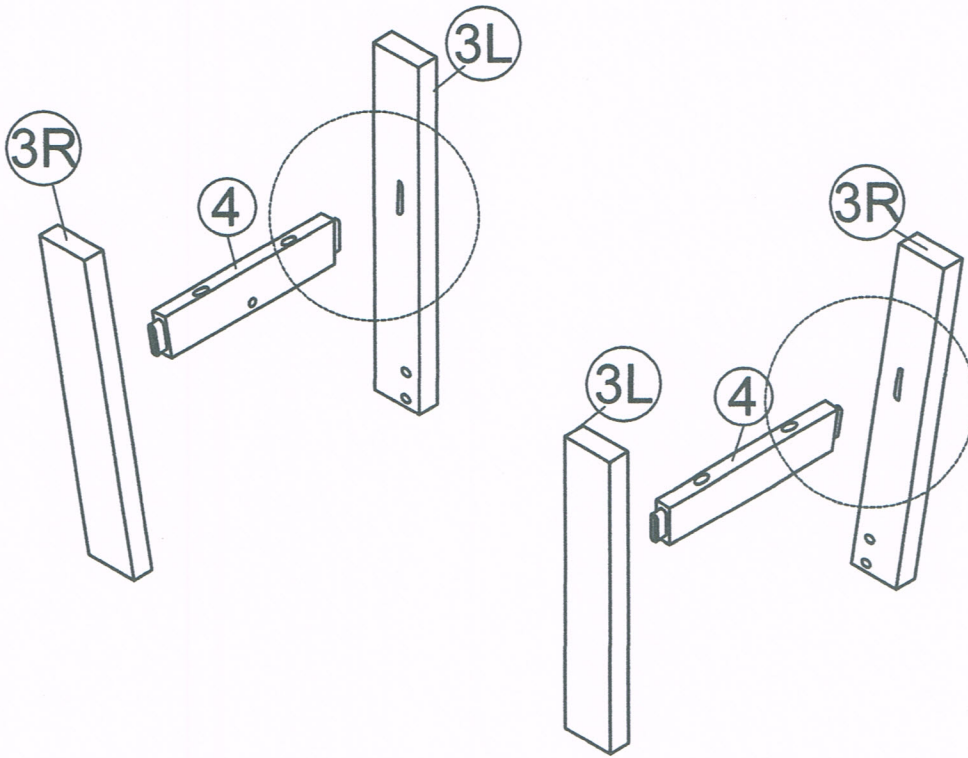
E x 12



F x 1

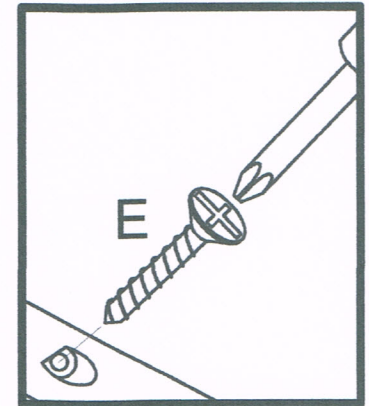
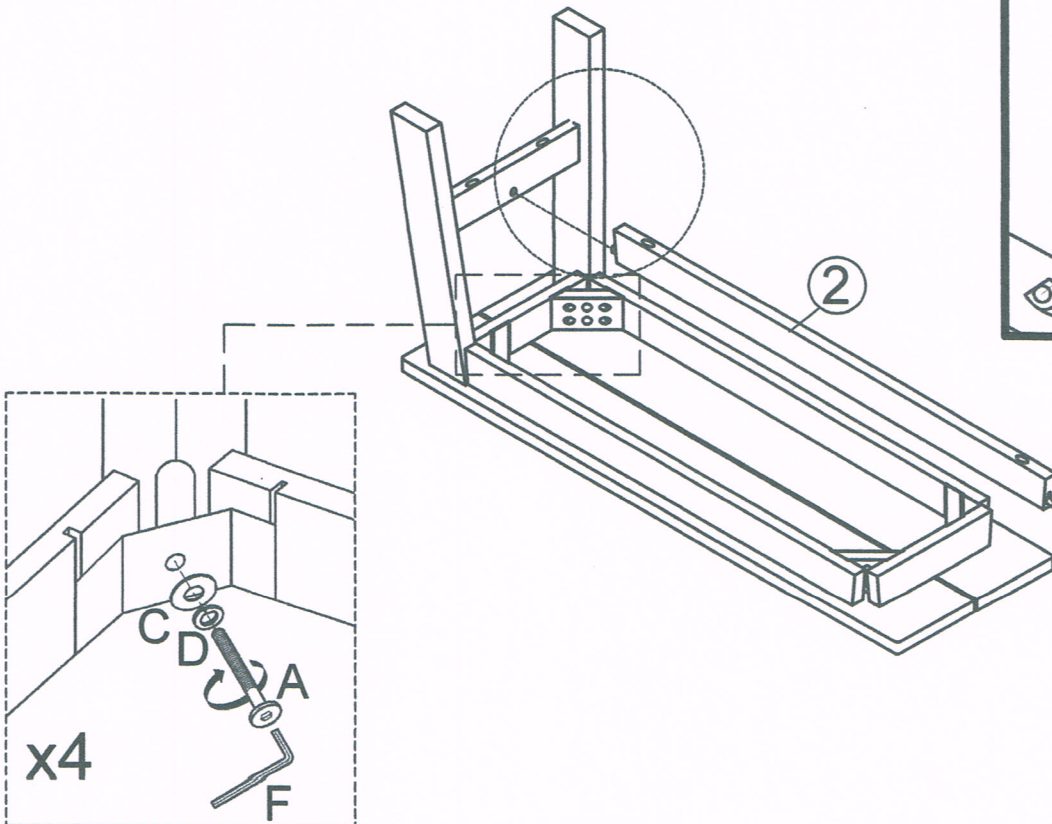


**STEP 1 X 2 BENCHES**



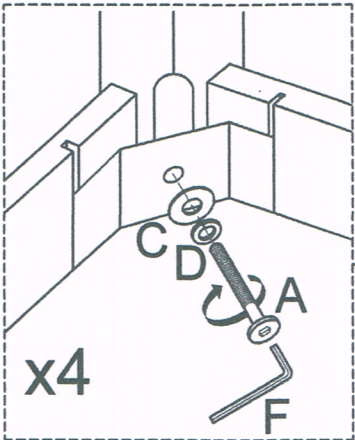
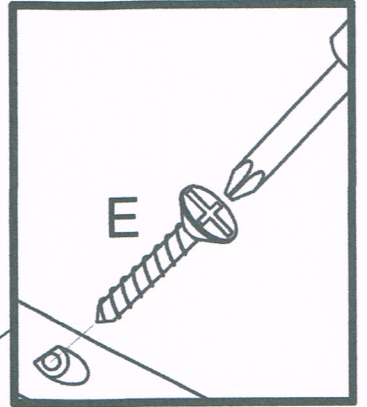
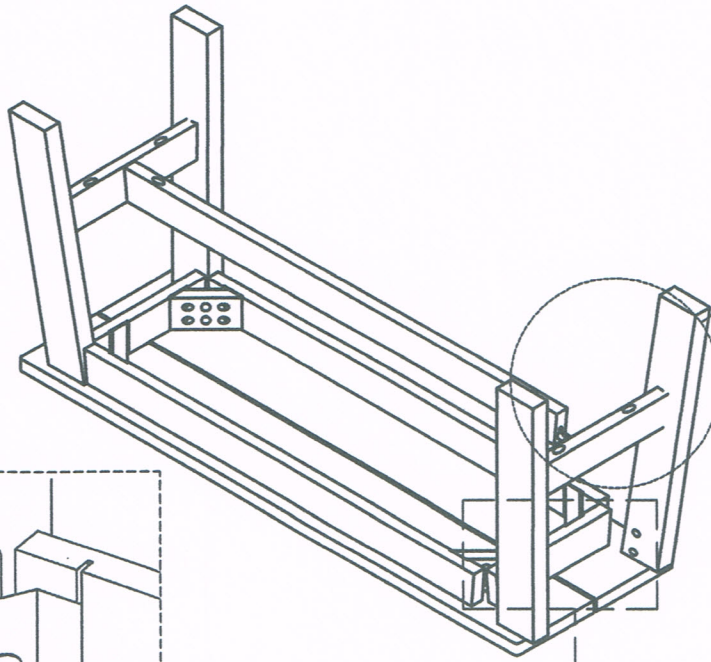
E Wood Screw x8

**STEP 2 X 2 BENCHES**



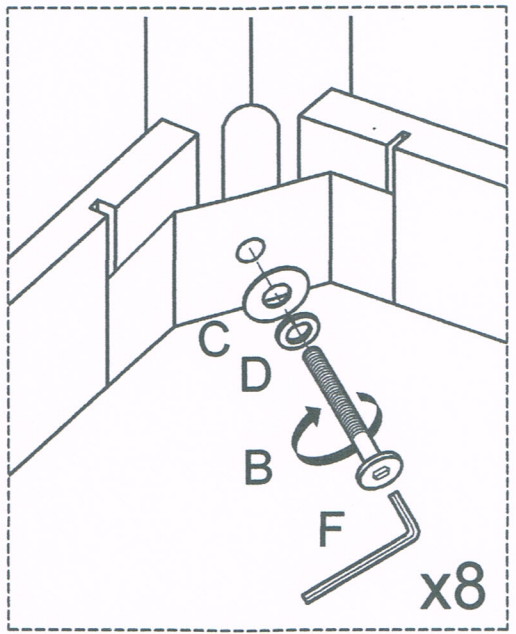
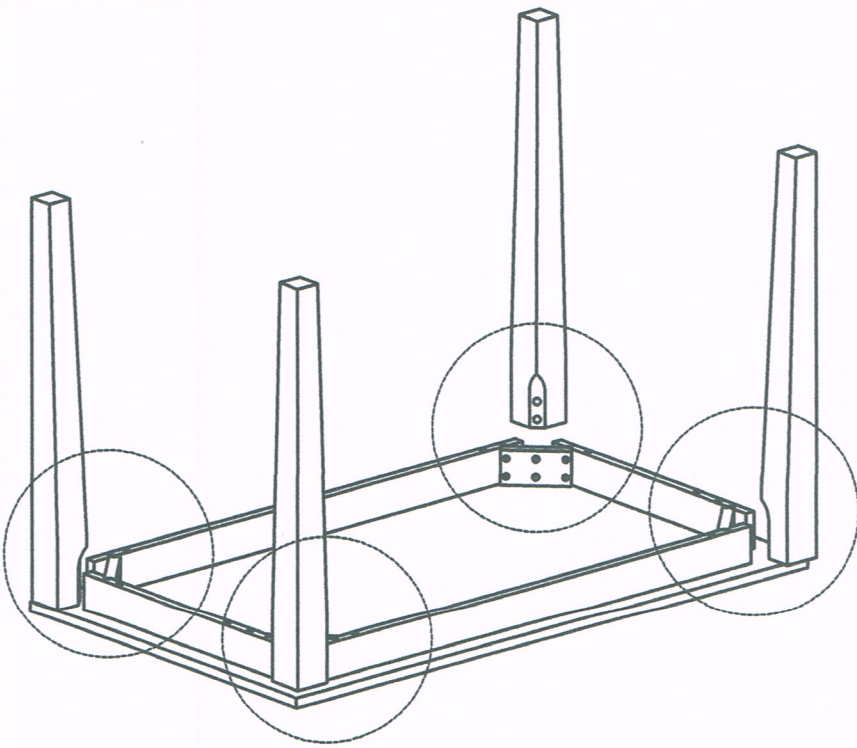
A (Long) x8  
 C Flat Washer x8  
 D Spring washer x8  
 E x2

### STEP 3 X 2 BENCHES



- |   |               |    |
|---|---------------|----|
| A | (Long)        | x8 |
| C | Flat Washer   | x8 |
| D | Spring washer | x8 |
| E |               | x2 |

### STEP 4



- |   |               |    |
|---|---------------|----|
| B | (Short)       | x8 |
| C | Flat Washer   | x8 |
| D | Spring washer | x8 |