

# BOLTZERO DINING SET

MODEL: 159956

**No hardware  
bag or tools  
required**

## NEED ASSISTANCE?

Call 4D CONCEPTS directly for parts or assembly assistance.

Individual stores do not stock parts

Call our Toll-free number 5 days a week except holidays:

Monday through Friday 8:00am to 5:00pm

Pacific Standard Time



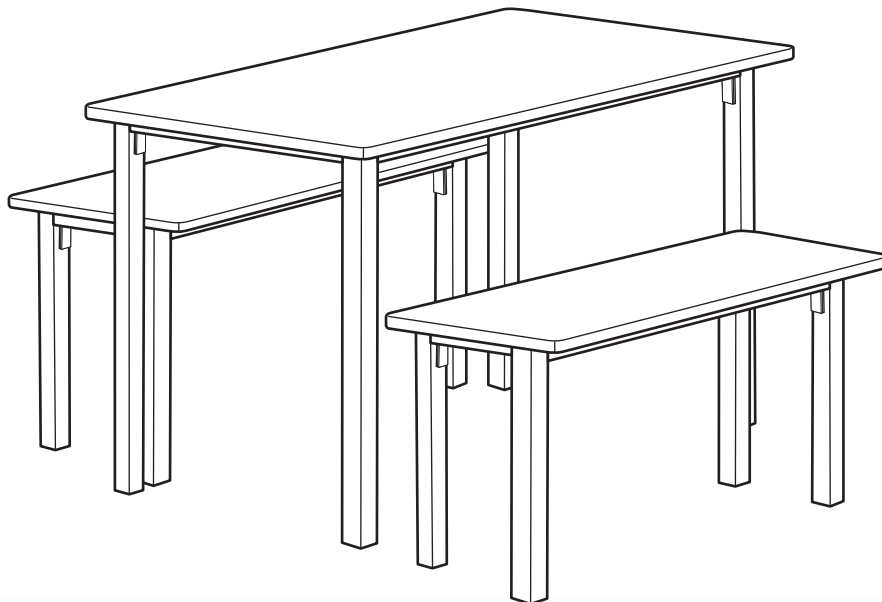
1-888-310-4DCO or 1-888-310 4326

[www.4dconceptsusa.com](http://www.4dconceptsusa.com)

**IMPORTANT:** Before calling please have the model number and the packing code number ready for our customer service representatives. You will find the model number printed on the carton label and the packing code printed in black ink on the side of the carton.

Model            159956                      Packing Code

It is important that you retain the model number and the packing code along with the original receipt of purchase for future reference.



WITH EVERY PURCHASE FROM 4D CONCEPTS, YOU ARE HELPING TO CREATE BUSINESS SOLUTIONS TO POVERTY.



**Find out how**  
[www.meda.org/4D](http://www.meda.org/4D)

**BOLTZERO!**

Patented Design:

Europe / UK: 013629233 / 002837591

USA: 29561192 / 29561199

China: 2017 30071146.X / 2017 30070810.9

### Assembly Instructions - Please keep for future reference

#### Safety and Care Advice

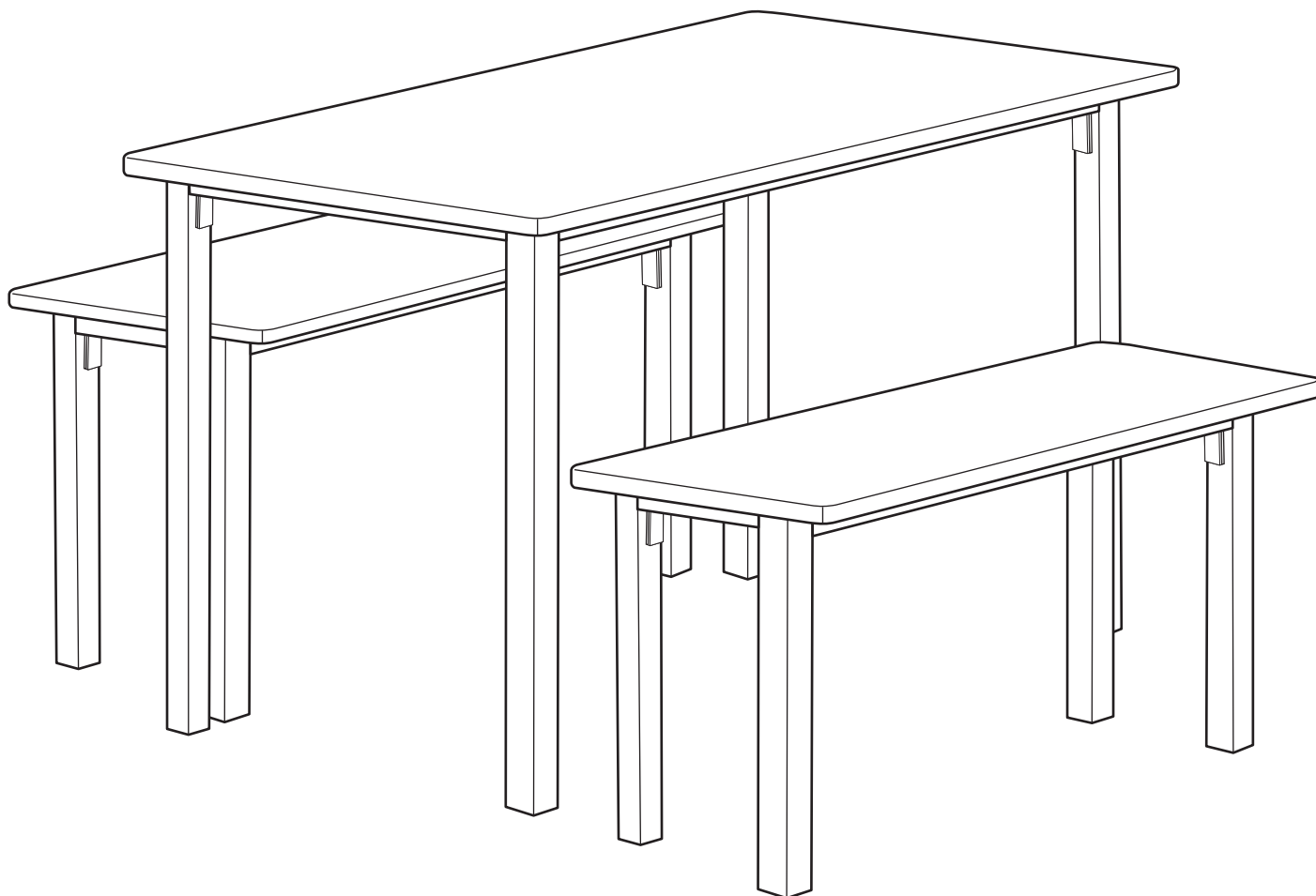
- Important: Please read these instructions fully before starting assembly.
- Do not discard any of the packaging until you have checked that you have all the parts and the pack of fittings.
- Discard all extra fittings and keep fittings out of reach of children.
- Assemble this product on a flat and protected surface.
- Assemble this product as close to its final position (in the same room) as possible.
- At least 2 people are required to assemble this product.

#### Warnings:

- This product should only be used on firm, level ground.
- Make sure the legs remain in contact with the ground.
- Do not stand on the product.

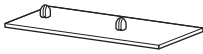
#### Care and maintenance:

- Please clean the product using either damp (not wet) cloth and a mild domestic soap solution or by using an appropriate polish.
- Do not use abrasive materials when cleaning.

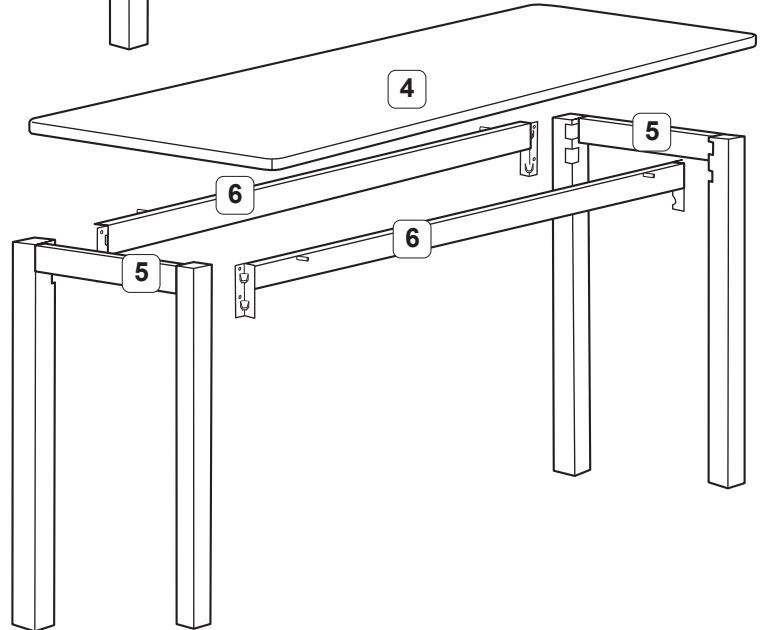
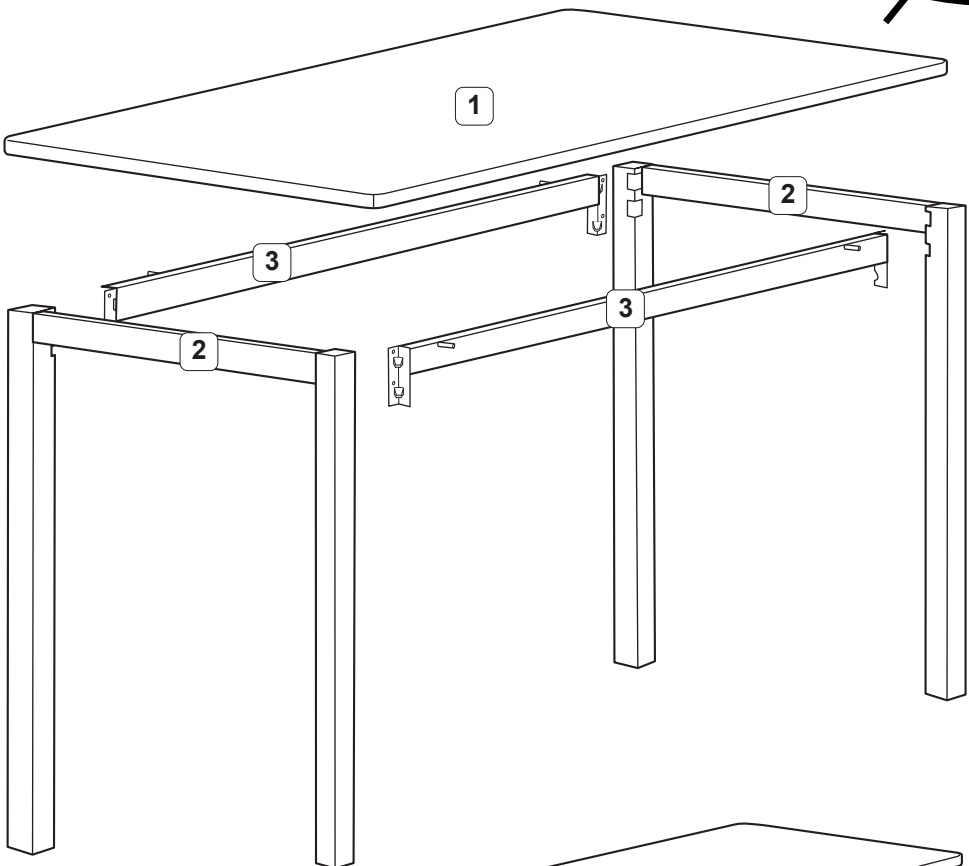


| Table Parts List: |                                    |      |
|-------------------|------------------------------------|------|
| CODE              | DESCRIPTION                        | QTY. |
| 1                 | TABLE TOP (43 2/8" x 27 1/2" x 1") | 1    |
| 2                 | LEG (29 1/8" x 26" x 1 1/2")       | 2    |
| 3                 | SIDE RAIL (39" x 4 3/4" x 1 1/2")  | 2    |

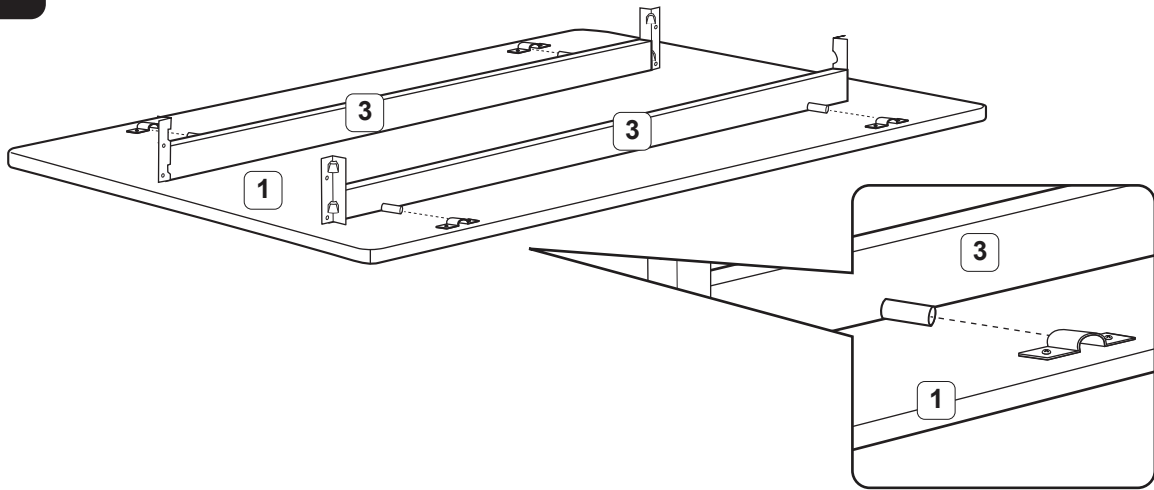
| Bench Parts List: |                                   |      |
|-------------------|-----------------------------------|------|
| CODE              | DESCRIPTION                       | QTY. |
| 4                 | SEAT (31 1/2" x 1" x 11 1/2")     | 2    |
| 5                 | LEG (17 1/2" x 10 3/4" x 1 1/2")  | 4    |
| 6                 | SIDE RAIL (29" x 4 3/4" x 1 1/2") | 4    |

| Fittings List: |  |      |
|----------------|--|------|
| CODE           | DESCRIPTION  | QTY. |
| A              |  CAP (4 3/4" x 1 1/16") | 12   |

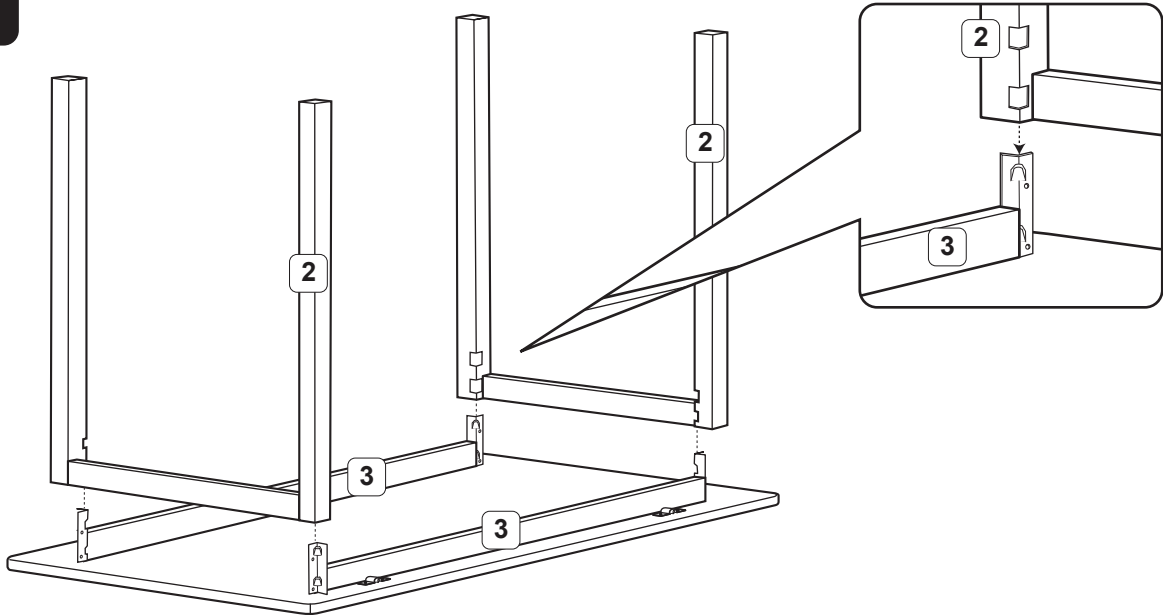
~~No hardware bag or tools required~~



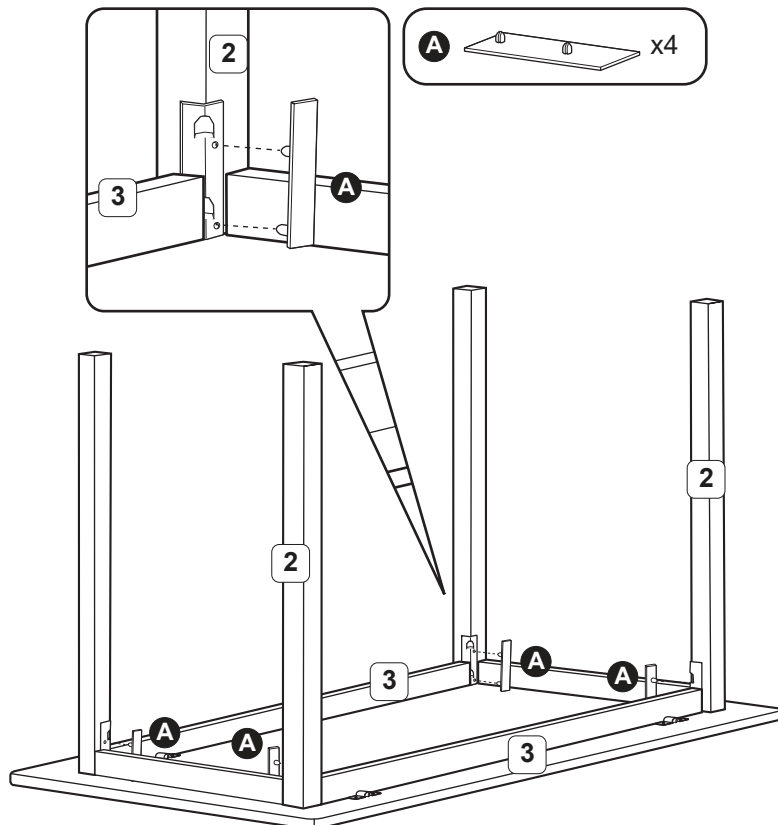
**Step 1**



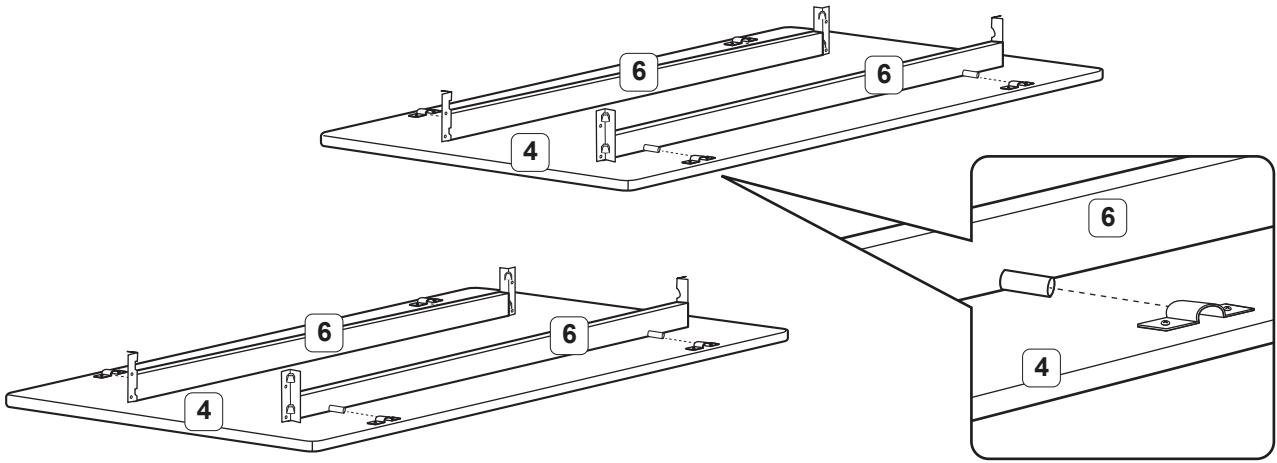
**Step 2**



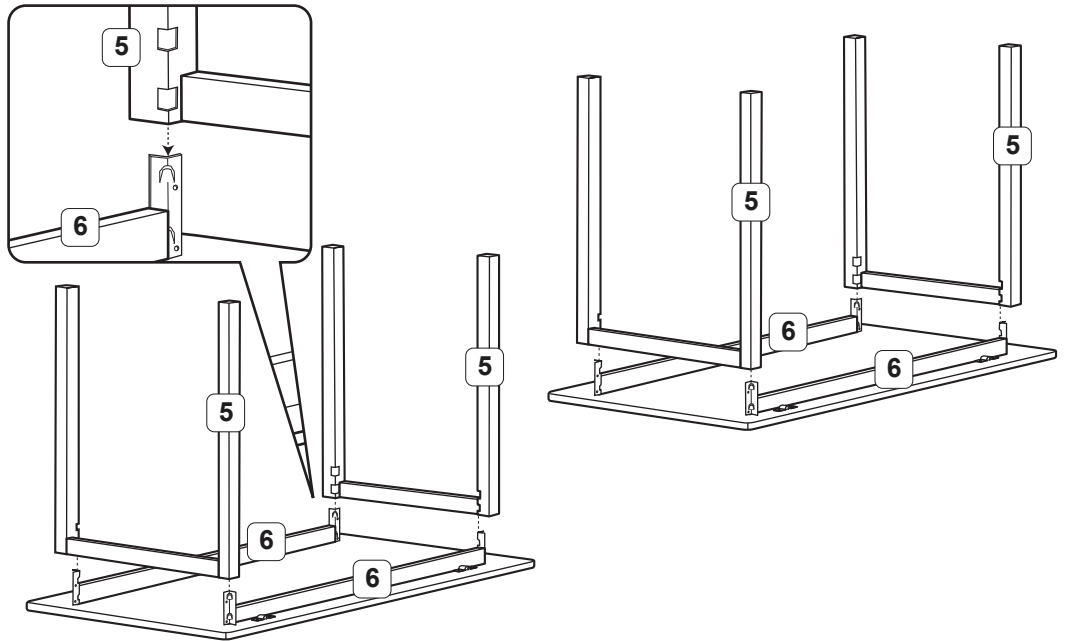
**Step 3**



**Step 4**



**Step 5**



**Step 6**

