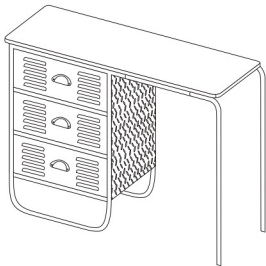




WWW.4DCONCEPTSUSA.COM



4D CONCEPTS LOCKER COLLECTION DESK MODEL:140251

NEED ASSISTANCE ?

Call 4D CONCEPTS directly for parts or assembly assistance.

Individual stores do not stock parts

Call our Toll-free number 5 days a week except holidays:

Monday through Friday 8.00am to 5.00pm

Pacific Standard Time

1-888-310-4DCO or 1-888-310 4326

IMPORTANT: Before calling please have the model number and the packing code number ready for our customer service representatives.

You will find the model number printed on the carton label and the packing code printed in black ink on the side of the carton.

Model 140251 Packing code

It is important that you retain the model number and the packing code along with the original receipt of purchase for future reference.

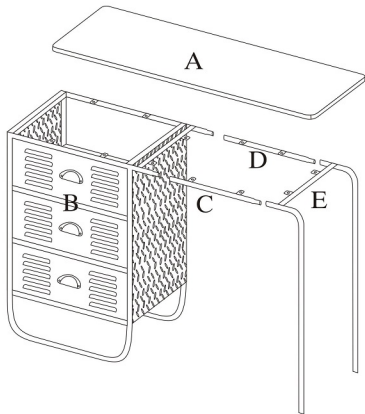
Made in China

WITH EVERY PURCHASE FROM 4D CONCEPTS, YOU ARE HELPING TO CREATE BUSINESS SOLUTIONS TO POVERTY.

MEDA Find out how
www.weda.org/4D

140251 ASSEMBLY INSTRUCTION

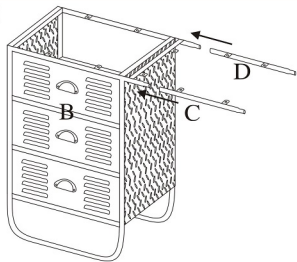
NOTE: DON'T TIGHTEN THE SCREWS COMPLETELY, UNTIL UNIT IS ASSEMBLED.



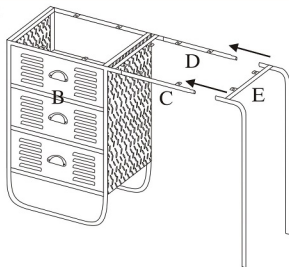
F X 12



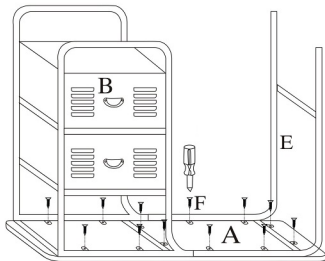
STEP 1



STEP 2



STEP 3



F X 12

