

4 DC CORNER SPACE SAVER

MODEL 99200F LIGHT WALNUT

MODEL 99900F BLACK

MODEL 99300F CHOCOLATE

MODEL 99600F DARK CHERRY

NEED ASSISTANCE ?

Call 4D CONCEPTS directly for parts or assembly assistance.

Individual stores do not stock parts

Call our Toll-free number 5 days a week except holidays:

Monday through Friday 8.00am to 5.00pm

Pacific Standard Time

1-888-310-4DCO or 1-888-310 4326

www.4dconceptsusa.com

IMPORTANT: Before calling please have the model number and the packing code number ready for our customer service representatives.

You will find the model number printed on the carton label and the packing code printed in black ink on the side of the carton.

Model 99200F Packing code

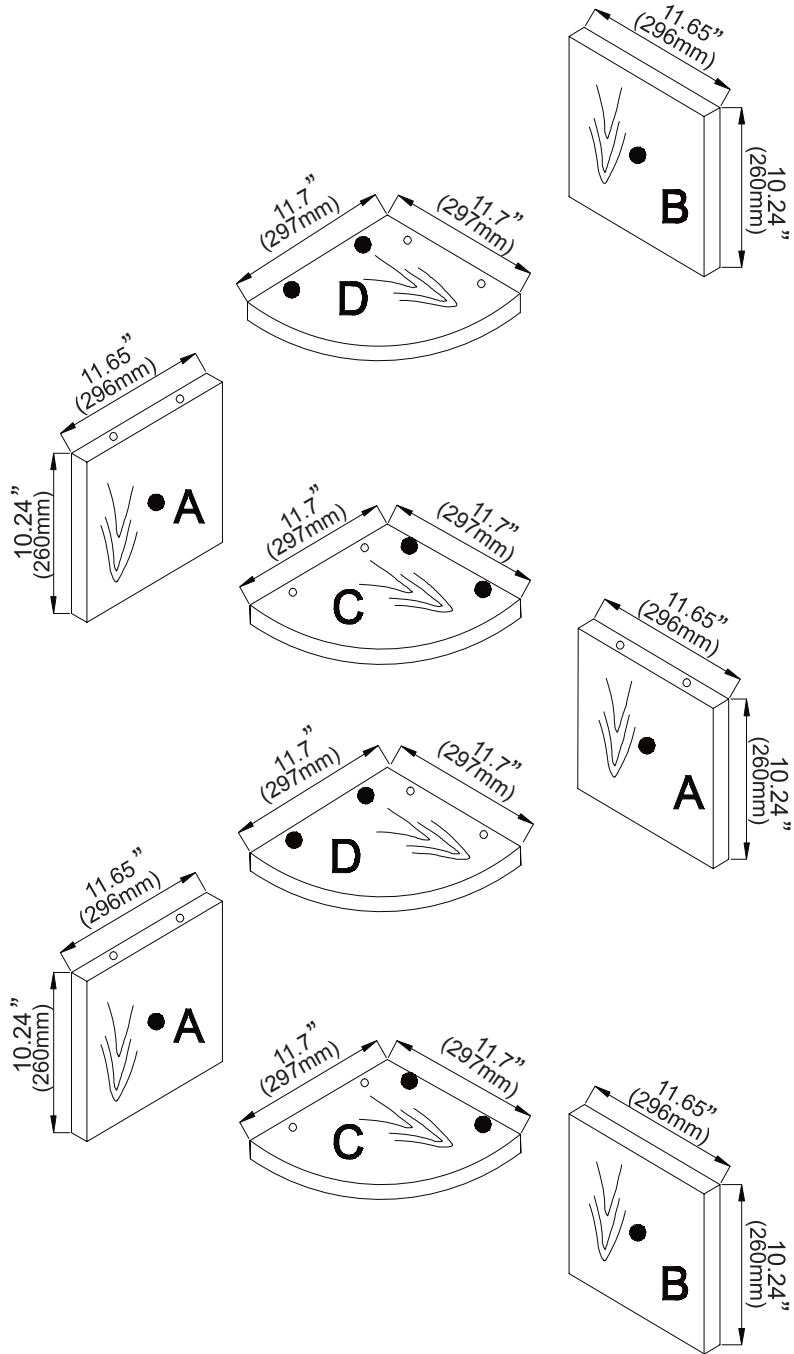
Model 99900F Packing code

Model 99300F Packing code

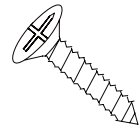
Model 99600F Packing code

It is important that you retain the model number and the packing code along with the original receipt of purchase for future reference.

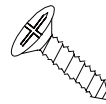
Made in China



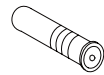
○
KX21



5 X 40 mm
L X 16



4 X 30 mm
S X 5



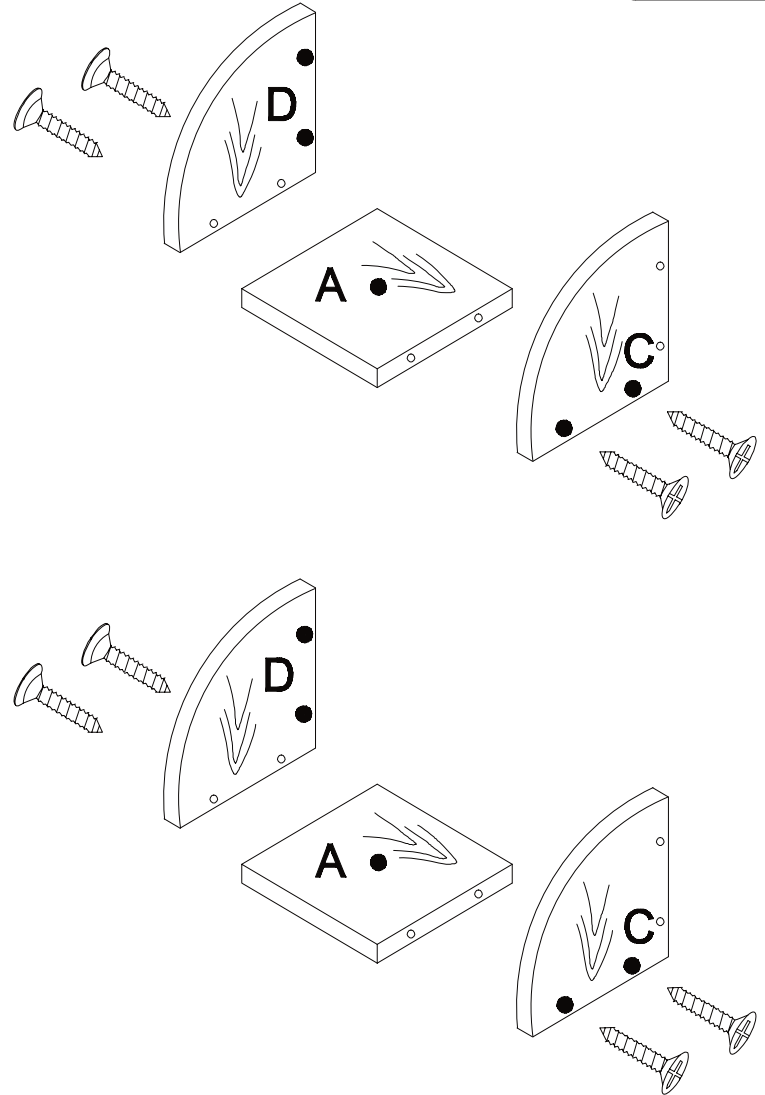
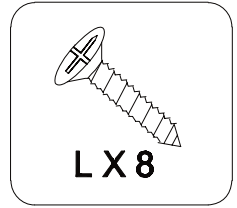
6 X 29 mm
T X 5

- Indicating countersunk hole
- Indicating regular screw hole

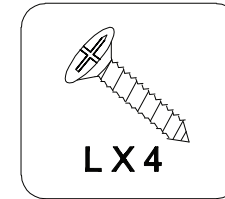
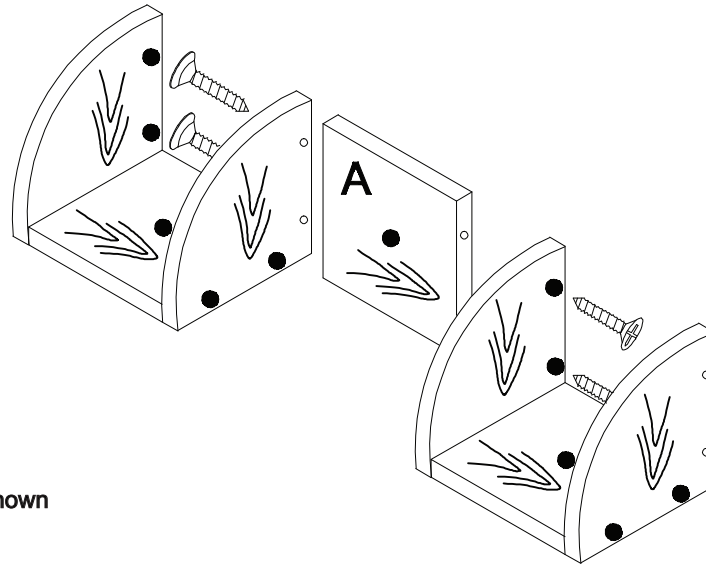


Please follow the woodgrain direction as shown in the diagram below when assembling.

1.




2.

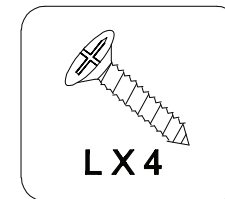
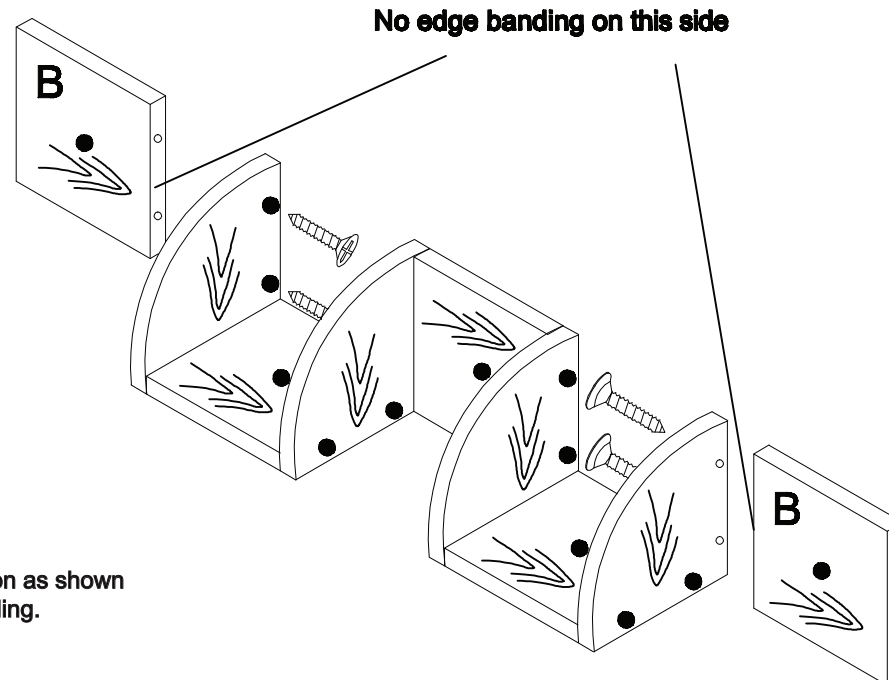


LX4

- Indicating countersunk hole
- Indicating regular screw hole

 Please follow the woodgrain direction as shown in the diagram below when assembling.

3.

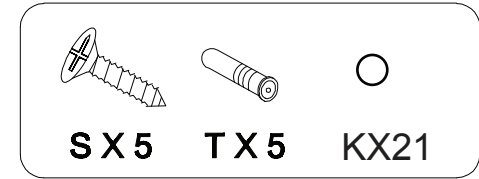
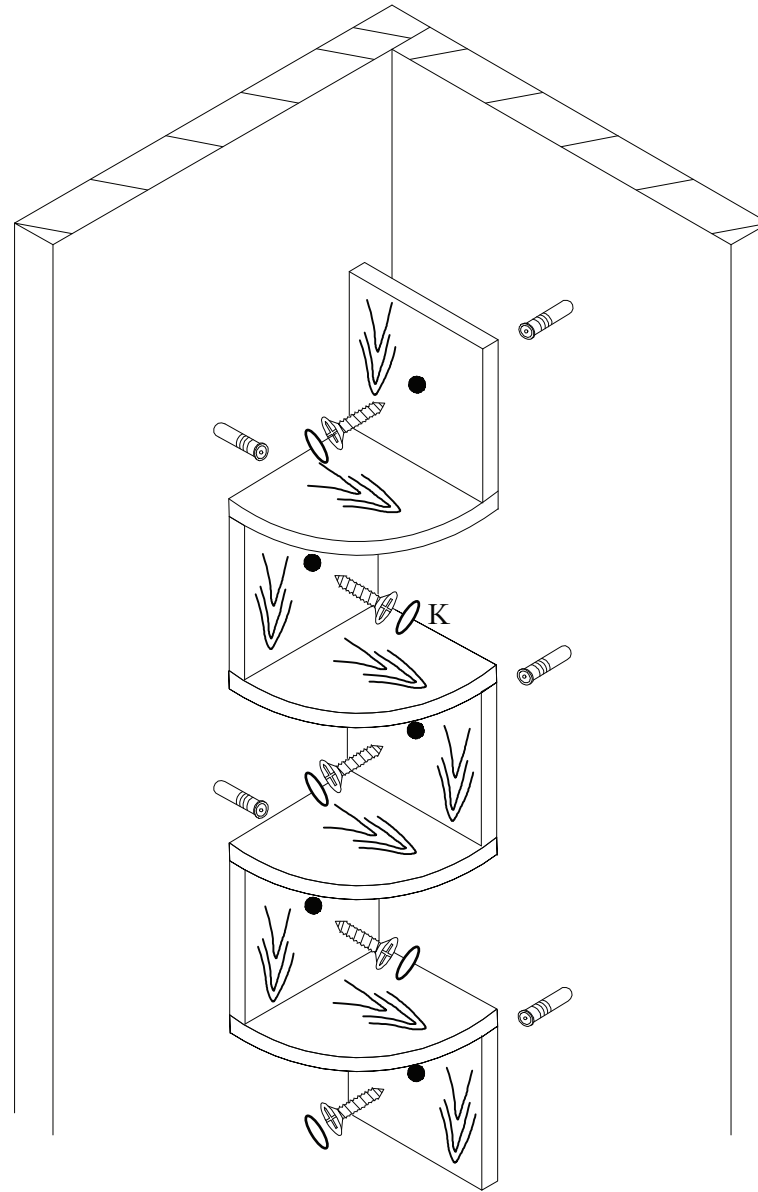


LX4

- Indicating countersunk hole
- Indicating regular screw hole

 Please follow the woodgrain direction as shown in the diagram below when assembling.

4.



Put the cover K to all the screws head.