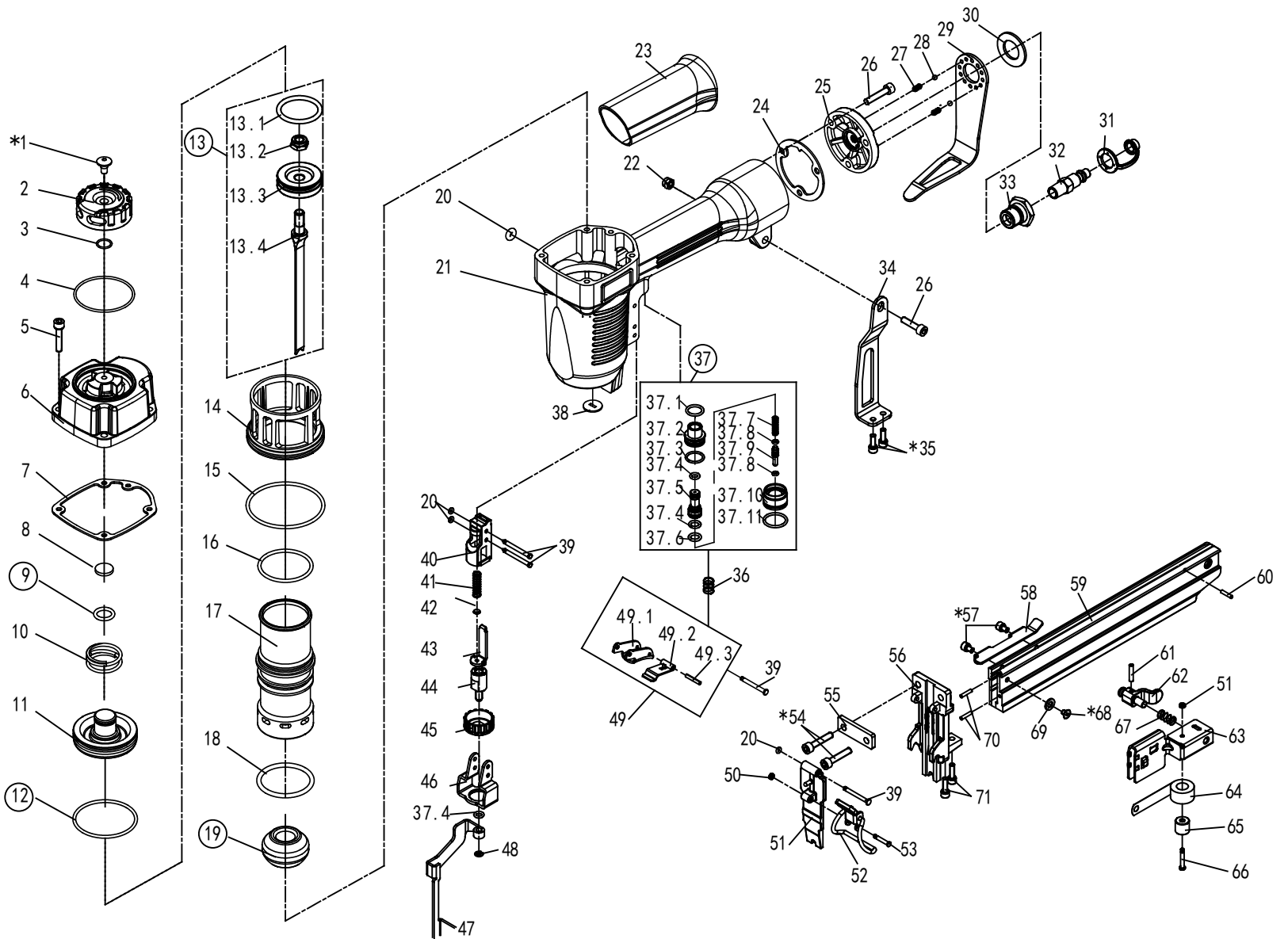




16 GAUGE FENCING STAPLER

MODEL: PFS16



REPLACEMENT KIT

KIT MODEL	KIT DESCRIPTION	PART NUMBERS
	O-RING REPAIR KIT	3, 4, 9, 12, 15, 16, 18, 20
	TRIGGER KIT	37
	DRIVE BLADE AND BUMPER KIT	13, 19