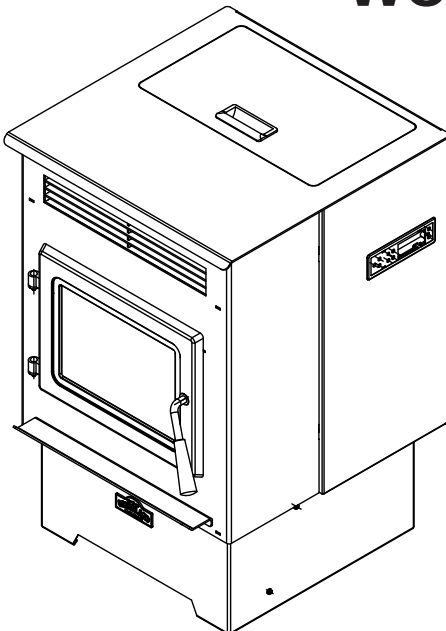


INSTALLER: Leave this manual with the appliance.

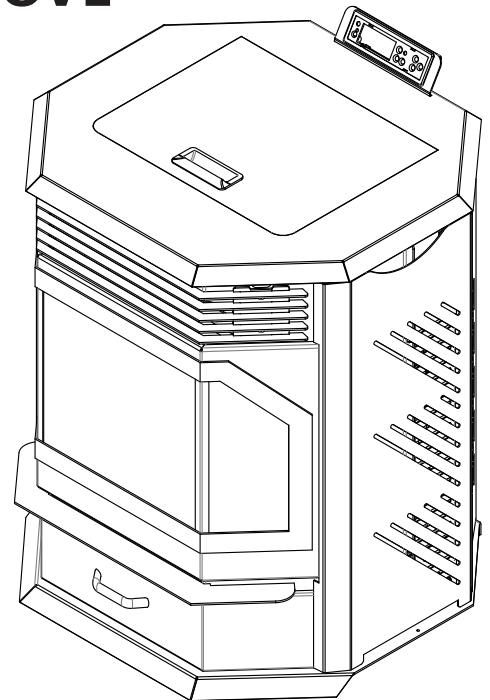
CONSUMER: Save these Instructions for future reference.

<p>SINCE 1957 CLEVELAND IRON WORKS</p>	<h1>OPERATING INSTRUCTIONS AND OWNER'S MANUAL</h1>	<p>Model # PS60W PS130W PSBF66W</p>
<p>READ INSTRUCTIONS CAREFULLY: Please read this entire manual before installation and use of this pellet fuel-burning room heater. Failure to follow these instructions could result in property damage, bodily injury or even death. Do not allow anyone who has not read these instructions to assemble, light, adjust or operate the stove. Place instructions in a safe place for future reference.</p>		

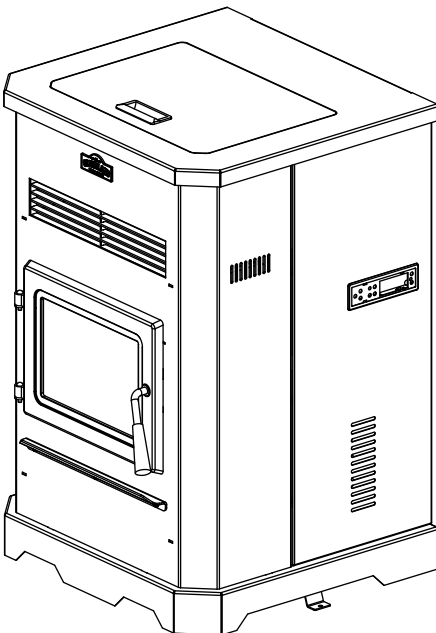
WOOD PELLET FIRE STOVE



PS60W (F500200)



PSBF66W (F500210)



PS130W (F500205)



THE AUTHORITY HAVING JURISDICTION (SUCH AS MUNICIPAL BUILDING DEPARTMENT, FIRE DEPARTMENT, FIRE PREVENTION BUREAU, ETC.) SHOULD BE CONSULTED BEFORE INSTALLATION TO DETERMINE ANY NEED TO OBTAIN A PERMIT. OBSERVE ALL LOCAL BUILDING CODES.

Cleveland Ironworks a subsidiary of Enerco Group Inc.
4560 West 160th st Cleveland, Ohio 44135 1-800-251-0001

GENERAL HAZARD WARNING:

- ⚠ FAILURE TO COMPLY WITH THE PRECAUTIONS AND INSTRUCTIONS PROVIDED WITH THIS STOVE CAN RESULT IN DEATH, SERIOUS BODILY INJURY AND PROPERTY LOSS OR DAMAGE FROM HAZARDS OF FIRE, EXPLOSION, BURN, ASPHYXIATION, CARBON MONOXIDE POISONING, AND/OR ELECTRICAL SHOCK.
- ⚠ ONLY PERSONS WHO CAN UNDERSTAND AND FOLLOW THE INSTRUCTIONS SHOULD USE OR SERVICE THIS STOVE.
- ⚠ IF YOU NEED ASSISTANCE OR STOVE INFORMATION SUCH AS AN INSTRUCTIONS MANUAL, LABELS, ETC. CONTACT THE MANUFACTURER.

WARNING:

- ⚠ FIRE, BURN, INHALATION, AND EXPLOSION HAZARD. KEEP SOLID COMBUSTIBLES, SUCH AS BUILDING MATERIALS, PAPER OR CARDBOARD, A SAFE DISTANCE AWAY FROM THE STOVE AS RECOMMENDED BY THE INSTRUCTIONS NEVER USE THE STOVE IN SPACES WHICH DO OR MAY CONTAIN VOLATILE OR AIRBORNE COMBUSTIBLES, OR PRODUCTS SUCH AS GASOLINE, SOLVENTS, PAINT THINNER, DUST PARTICLES OR UNKNOWN CHEMICALS.

- ⚠ **WARNING:** This product can expose you to chemicals including lead and lead compounds, which are known to the State of California to cause cancer and birth defects or other reproductive harm. For more information visit www.P65Warnings.ca.gov

Contents

SPECIFICATIONS..... 3

SAFETY PRECAUTIONS..... 4

CLEARANCE TO COMBUSTIBLES..... 5

UNPACKING & ASSEMBLY..... 6

INSTALLATION 6

ADDITIONAL MOBILE HOME REQUIREMENTS 10

OPERATION 12

SMART STOVE WIFI CONNECTION 14

WIFI CONTROLS..... 15

PS60W, PS130W, AND PSBF66W MULTI FUNCTION CONTROLS..... 16

MAINTENANCE..... 17

WIRING DIAGRAM..... 25

SERVICE PARTS 26

SPECIFICATIONS

Model #	PS60W	PS130W	PSBF66W
DIMENSIONS			
Stove Weight [LBS (kg)]	198 (90)	221 (100)	265 (120)
Stove Dimensions LxWxH [in (cm)]	23.5" x 21.75 " x 33.25" (59.7 x 55.2 x 84.5)	24.0" x 24.5 " x 36.5" (61.0 x 62.2 x 92.7)	261.8" x 245.3 " x 303.9" (665 x 623 x 772)
Air Inlet Pipe Diameter [in (mm)]	2" (50)	2" (50)	2" (50)
Air Outlet Pipe Diameter [in (mm)]	3" (80)	3" (80)	3" (80)
Pellet Hopper Capacity [LBS (kg)]	60 (27.2)	130 (59.0)	66 (29.9)
OPERATION SPECIFICATIONS			
Fuel	Wood Pellet	Wood Pellet	Wood Pellet
Heats approximately ** [ft ² (m ²)]	1500 (139.4)	2500 (232.3)	1800 (167.2)
Carbon Monoxide Produced (g/min)	0.100 on High 0.033 on Low	0.160 on High 0.053 on Low	0.118 on High 0.020 on Low
Pellet Consumption Rate Low [LBS/HR (kg/HR)]	1.41 (0.64)	2.09 (0.95)	1.06 (0.48)
Pellet Consumption Rate Medium [LBS/HR (kg/HR)]	1.85 (0.84)	2.69 (1.22)	3.04 (1.38)
Pellet Consumption Rate High [LBS/HR (kg/HR)]	4.01 (1.82)	5.45 (2.47)	5.82 (2.64)
Automatic Mode Duration [minimum hours (maximum hours)]	42.5 (15.0)	62.2 (23.9)	62.3 (11.3)
Stove Efficiency	82.3%	75.8%	82.2%
Output Rate Low [BTU/HR (kW)]	9,265 (2.72)	13,535 (3.97)	7,420 (2.17)
Output Rate Medium [BTU/HR (kW)]	12,297 (3.60)	16,714 (3.60)	13,421 (3.93)
Output Rate High [BTU/HR (kW)]	26,865 (7.87)	34,129 (10.00)	40,259 (11.80)
ELECTRICAL SPECIFICATIONS			
Electrical Supply Requirements [Voltage / Frequency / Phase]	120V / 60 Hz / Single	120V / 60 Hz / Single	120V / 60 Hz / Single
Electric Current During Lighting Phase [Amperes]	3.3	3.3	3.3
Auger Motor R.P.M.	2.4	2.4	2.4

This manual describes the installation and operation of the brand "Cleveland Ironworks" wood pellet fire stove. This stove meets the applicable U.S. Environmental Protection Agency's emission limits for pellet fired heaters sold after 2020.

*BTU input/output will vary, depending on the brand of fuel you use in your Stove

** Depending on climate zone. Variations in climate and location affect attributes such as stove efficiency and CO produced.

SAFETY PRECAUTIONS

HAVE AN ESTABLISHED PLAN FOR WHAT TO DO IN THE EVENT OF A FIRE. CONTACT YOUR LOCAL FIRE AUTHORITY TO ACQUIRE INFORMATION AND A PLAN FOR WHAT TO DO IN THE EVENT OF A CHIMNEY FIRE.

⚠ WARNING: DO NOT INSTALL IN SLEEPING ROOM.

⚠ CAUTION: HANDLE STOVE WITH CARE. AVOID STRIKING, SCRATCHING OR SLAMMING GLASS ASSEMBLIES. DO NOT OPERATE WITH CRACKED, BROKEN OR SCRATCHED GLASS.

⚠ WARNING: HOT WHILE IN OPERATION. KEEP CHILDREN, CLOTHING AND FURNITURE AWAY. CONTACT MAY CAUSE SKIN BURNS.

⚠ WARNING: NEVER LEAVE CHILDREN NEAR THE STOVE UNATTENDED WHILE THE STOVE IS OPERATING.

⚠ WARNING: DO NOT OVERFIRE. OVERFIRING THE APPLIANCE MAY CAUSE A FIRE. IF THE UNIT OR CHIMNEY CONNECTOR GLOWS, YOU ARE OVERFIRING.

⚠ WARNING: THIS WOOD HEATER HAS A MANUFACTURER-SET MINIMUM LOW BURN RATE THAT MUST NOT BE ALTERED. IT IS AGAINST FEDERAL REGULATIONS TO ALTER THIS SETTING OR OTHERWISE OPERATE THIS WOOD HEATER IN A MANNER INCONSISTENT WITH OPERATING INSTRUCTIONS IN THIS MANUAL.

CARBON MONOXIDE

WARNING:

⚠ WHEN USED WITHOUT ADEQUATE COMBUSTION AND VENTILATION AIR, THIS STOVE MAY GIVE OFF EXCESSIVE CARBON MONOXIDE, AN ODORLESS, POISONOUS GAS.

WARNING:

⚠ EARLY SIGNS OF CARBON MONOXIDE POISONING RESEMBLE THE FLU, WITH HEADACHE, DIZZINESS AND/OR NAUSEA. IF YOU HAVE THESE SIGNS, STOVE MAY NOT BE WORKING PROPERLY. GET FRESH AIR AT ONCE! HAVE STOVE SERVICED.

SOME PEOPLE - PREGNANT WOMEN, PERSONS WITH HEART OR LUNG DISEASE, ANEMIA, THOSE UNDER THE INFLUENCE OF ALCOHOL, THOSE AT HIGH ALTITUDES - ARE MORE AFFECTED BY CARBON MONOXIDE THAN OTHERS.

Regardless of how safe this stove is, every fuel burning appliance creates Carbon Monoxide. It is always a good plan to reduce risk to you and your loved ones as much as possible by installing a Carbon Monoxide detector. It is recommended to install monitors in areas that are expected to generate carbon monoxide such as heater fueling areas, pellet fuel bulk storage areas, or sheds containing hydronic heaters. Follow the installation, operation, & maintenance instructions provided by the manufacturer of your detector.

SMOKE DETECTORS

Have at least 1 smoke detector on each floor of your building. Follow the installation, operation, & maintenance instructions provided by the manufacturer of your detector. Avoid false alarms by placing the detector outside the immediate vicinity of the stove. Typically a good installation location for smoke detectors is near bedrooms.

FOR MORE SAFETY INFORMATION

For auxiliary information regarding pellet stove safety and operation information contact the National Fire Protection Association (NFPA) by mail at:

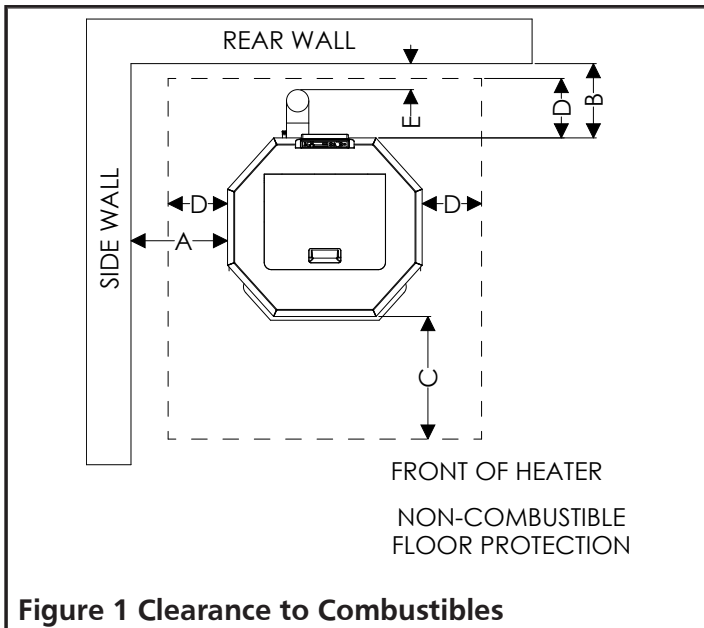
NFPA, Batterymarch Park, Quincy, MA 02269

or visit the NFPA website:

<https://www.nfpa.org/>

CLEARANCE TO COMBUSTIBLES

The following stated clearances represent the minimum distances between the stove and any other object. No objects should encroach into this space. This includes but is not limited to carpet, furniture, children, pets, clothing, fuel, or any other object. These clearances may only be reduced by means approved by the regulatory authority having jurisdiction.



	USA	CANADA
A	13" (330 mm)	13" (330 mm)
B	2" (51 mm)	2" (51 mm)
C	18" (457 mm)	18" (457 mm)
D	8" (203 mm)	8" (203 mm)
E	3" (76 mm)	3" (76 mm)

FLOORING SPACE & CLEARANCES

When installed on a combustible floor, non-combustible floor protection is required to:

- Cover the area beneath the stove and extend at least 18 inches (457 mm) to the front
- Cover the area at least 8 inches (203 mm) beyond each side of the room heater.
- Cover the area under the exhaust venting and 2 inches (50.8 mm) beyond each side.

Additionally, the wood pellet fire stove shall be positioned such that:

- It has at least 13" (330 mm) of clearance from the each side to the nearest body.

- It has at least 2" (51 mm) of clearance from the rear to the nearest body.
- Vertical runs of vent pipe must be at least 3" (76 mm) from any wall.

Finally, the area which the wood pellet fire stove is installed shall have a floor-to-ceiling distance of at least 84" (2134 mm).

FLOORING MATERIAL

Floor protection must be all of the following:

- Listed to UL 1618.
- At least 0.5" (13 mm) thick
- Constructed of non-combustible material.
- Have either:

Thermal resistance value R of 1.19 $\frac{(\text{ft}^2)(\text{hr})(^\circ\text{F})}{\text{Btu}}$

Thermal conductivity value k of 0.84 $\frac{(\text{Btu})(\text{inch})}{(\text{ft}^2)(\text{hr})(^\circ\text{F})}$

For assistance evaluating the suitability of substitute materials, the following equivalences of specifications and example below have been provided.

Thermal conductivity k = $\frac{\text{thickness}}{R} \frac{(\text{Btu})(\text{inch})}{(\text{ft}^2)(\text{hr})(^\circ\text{F})}$ or $\frac{W}{(\text{m})(^\circ\text{K})}$

Thermal conductance C = $\frac{1}{R} \frac{(\text{Btu})}{(\text{ft}^2)(\text{hr})(^\circ\text{F})}$ or $\frac{W}{(\text{m}^2)(^\circ\text{K})}$

Example: Required to protect floor with R value of 1.19 $\frac{(\text{ft}^2)(\text{hr})(^\circ\text{F})}{\text{Btu}}$

Evaluating merit of 2 inch (57 mm) thick brick with thermal conductivity k = 4.16 $\frac{(\text{Btu})(\text{inch})}{(\text{ft}^2)(\text{hr})(^\circ\text{F})}$ on top of 1/2 inch (6.3 mm) thick mineral board that has C value of 2.3 $\frac{(\text{Btu})}{(\text{ft}^2)(\text{hr})(^\circ\text{F})}$.

Step 1. Calculate the R value of each floor material

$$R_{\text{BRICK}} = \frac{\text{thickness}}{k} = \frac{2.25}{4.16} = 0.54$$

$$R_{\text{BOARD}} = \frac{1}{C} = \frac{1}{2.3} = 0.434$$

Step 2. Add the equivalent R values for each floor material

$$R_{\text{BRICK}} + R_{\text{BOARD}} = 0.54 + 0.434 = 0.974$$

Step 3. This combined R value is **insufficient** and so more protection must be provided. For example, by using 2 layers of bricks:

$$R_{\text{BRICK}} + R_{\text{BRICK}} + R_{\text{BOARD}} = 0.54 + 0.54 + 0.434 = 1.514$$

Step 4. Because this combined R value is larger than the specification, this is a sufficient method for protecting the floor area underneath the stove.

UNPACKING & ASSEMBLY

1. Remove heater from carton.
2. Remove all protective packaging applied to heater for shipment.
3. Check heater for any shipping damage. If any damage is found immediately contact the manufacturer at 800-251-0001.

⚠ CAUTION: DAMAGED PARTS MAY COMPROMISE SAFE OPERATION.

- DO NOT INSTALL INCOMPLETE COMPONENTS.
- DO NOT INSTALL SUBSTITUTE COMPONENTS.
- DO NOT INSTALL DAMAGED COMPONENTS.

4. Some components are packaged unattached from the stove in order to ensure their safety during shipping. Please find the protective packaging, likely inside the stove door, to proceed with assembly.

Main Power Cord

The main power cord attaches to the stove at the exposed socket in the rear of the stove. Once any necessary assembly of the display panel screen is complete (PSBF66W only) you may briefly plug your stove in make sure that it functions properly before proceeding with installation. Unplug the stove once you confirm that the display panel works.

⚠ CAUTION: DO NOT LEAVE THE STOVE PLUGGED INTO ANY ELECTRICAL SUPPLY DURING ASSEMBLY OR INSTALLATION.

Firepot

With the stove unplugged from any power supply, the firepot should be inserted into the stove so that it is securely positioned and also the hot surface igniter should be able to make physical contact with pellets that would be held in the firepot. See figure 2 or 3.

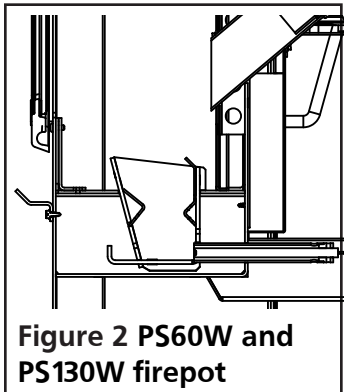


Figure 2 PS60W and PS130W firepot

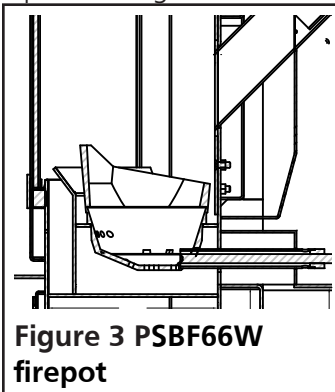


Figure 3 PSBF66W firepot

A cleaning kit is also packaged which facilitates safely cleaning the firepot perforations of debris.

Air Intake Kit

Locate the air intake kit packaged with the stove. See Figure 4. Take measurements of your space and plan for the installation of horizontal venting to the outside

as may be required per recommendations in "FRESH AIR AND VENTILATION REQUIREMENTS 1" on page 7. Follow all ventilation requirements and guidelines specified in "INSTALLATION" on page 6.

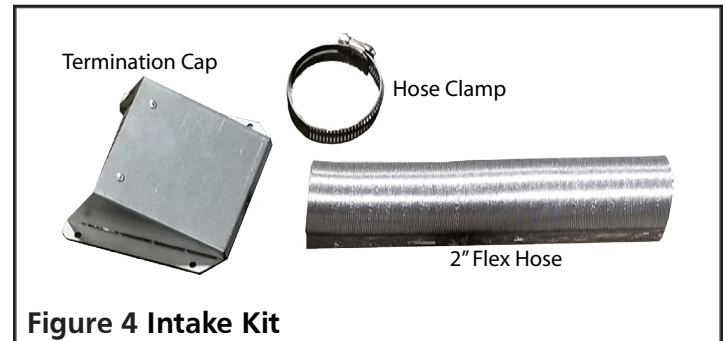


Figure 4 Intake Kit

Additional Assembly PS60W, PS130W

- The door handle: open the door, and screw the plastic grip onto the thread of the handle.



Figure 5 Door Handle

Additional Assembly PSBF66W

- The display panel: insert the display panel into the top and rear of the stove. Be sure that the display panel screen is facing towards the front of the stove. Secure the screen using two of the provided screws.
- The power cord for the display panel: this cord should be wrapped up near the top of the stove. Insert free end into the back of the display panel (see figure 16 on page 14). This wire should already be connected to the stoves power board. This connection can be checked behind the access plate at the bottom and rear of stove .

INSTALLATION

⚠ WARNING: WHEN THIS STOVE IS NOT PROPERLY INSTALLED, A HOUSE FIRE MAY RESULT. TO REDUCE THE RISK OF FIRE, FOLLOW THE INSTALLATION INSTRUCTIONS. CONTACT LOCAL BUILDING OR FIRE OFFICIALS ABOUT RESTRICTIONS AND INSTALLATION INSPECTION REQUIREMENTS IN YOUR AREA.

⚠ CAUTION: ANY DEVIATION OR ALTERATION FROM THESE INSTALLATION INSTRUCTIONS MAY RESULT IN DAMAGE TO YOU, THE STOVE, YOUR CHIMNEY, AND YOUR HOME. YOUR WARRANTY MAY BECOME VOID. READ AND FOLLOW ALL INSTRUCTIONS. Contact Cleveland Iron Works with any comments, concerns, or questions.

⚠ CAUTION: CONTACT LOCAL BUILDING OR FIRE OFFICIALS ABOUT RESTRICTIONS AND INSTALLATION INSPECTION REQUIREMENTS IN YOUR AREA.

CONTACT INFORMATION

If you have any questions regarding ventilation options of your stove, contact either:

The manufacturer Cleveland Ironworks Company at 1-800-251-0001 • CLEVELAND-IRONWORKS.COM Our office hours are 8:00 AM – 5:00 PM, EST, Monday through Friday.

The National Fire Protection Association (NFPA) and request a copy of the latest editions of NFPA Standard 211. The mailing address of the NFPA is Batterymarch Park, Quincy, MA 02269

PLANNING

Make sure that you have selected the correct stove for your heating requirements by checking the specifications table on page 3.

Take measurements of your space and plan for your chimney system as detailed in the following instructions.

This stove may be installed for use in a mobile home. In addition to the following instructions, review and adhere to the mandatory requirements on page 10.

ELECTRICAL CONSIDERATIONS

The rear of the stove will need to be within power cord distance, which is roughly 80 inches (203 cm), of an electrical outlet. Lay the power cord out such that it will not come into contact with the stove's surface.

TOOLS REQUIRED (NOT SUPPLIED)

- Safety Glasses
- Gloves
- Tape Measure
- Phillips Screwdriver or comparable electric screw driver & drill bit.
- Stud Finder
- Plumb bob
- Reciprocating saw
- High Temperature Silicone
- A friend (the stove is heavy, do not attempt to move the stove without assistance)

PARTS & MATERIALS REQUIRED (NOT SUPPLIED)

- Floor Protection (see "FLOORING SPACE" and "FLOORING MATERIAL" on page 5)

- Manufactured venting of 3" (80 mm) diameter, of type "L" or "PL" which is listed to UL 641, ULC S609 (Standard for 650 C Factory-Built Chimneys), or ULC/ORD C441. Install per chimney manufacturer's instructions.

FRESH AIR AND VENTILATION REQUIREMENTS

When deciding the location of the stove ensure that the space will always have a source of fresh air available. Failure to do so may result in air starvation of other fuel burning appliances and the possible development of hazardous conditions.

Provision for outside combustion air may be necessary to ensure that fuel-burning appliances do not discharge products of combustion into the house. Guidelines to determine the need for additional combustion air may not be adequate for every situation. If in doubt, it is advisable to provide additional air. Outside combustion air may be required if these or other indications suggest that infiltration air is inadequate:

- The wood pellet fired stove does not draw steadily, experiences smoke roll-out, burns poorly, or back-drafts, whether or not there is combustion present.
- Existing fuel-fired equipment in the house, such as fireplaces or other heating appliances, smell, do not operate properly, suffer smoke roll-out when opened, or back-draft, whether or not there is combustion present.
- Any of the above symptoms are alleviated by opening a window slightly on a calm (windless) day.
- The house is equipped with a well-sealed vapour barrier and tight fitting windows and/or has any powered devices which exhaust house air.
- There is excessive condensation on windows in the winter.
- A ventilation system is installed in the house.

Additional combustion air may be directly provided from the outdoors to the wood pellet fired stove by using the included air intake kit to connect to the inlet at the bottom and rear of the stove. Any such installation must satisfy Clause 4 of CSA Standard B365.

⚠ CAUTION: NEVER DRAW OUTSIDE COMBUSTION AIR FROM:

- A WALL, FLOOR OR CEILING CAVITY.
- AN ENCLOSED SPACE SUCH AS AN ATTIC, GARAGE OR CRAWL SPACE.

⚠ CAUTION: IF USING AN AIR INTAKE CONNECTION THEN THE STOVE MUST BE INSTALLED SUCH THAT IT IS ATTACHED TO THE STRUCTURE.

CONNECTOR REQUIREMENTS AND ASSEMBLY

⚠ CAUTION: A CHIMNEY CONNECTOR SHALL NOT PASS THROUGH AN ATTIC OR ROOF SPACE, CLOSET OR SIMILAR CONCEALED SPACE, OR A FLOOR, OR CEILING. WHERE PASSAGE THROUGH A WALL, OR PARTITION OF COMBUSTIBLE CONSTRUCTION IS DESIRED, THE INSTALLATION SHALL CONFORM TO CAN/CSA-B365, INSTALLATION CODE FOR SOLID-FUEL-BURNING APPLIANCES AND EQUIPMENT

Any connector pipes or elbows should be installed with the crimped end on the stove end of the path (not the chimney cap end) and should be secured with three evenly spaced sheet metal screws.

Connectors, elbows, and chimneys should be type 'L' or 'PL' and have a 80mm, or 3 inch diameter, diameter as the flue system is based on negative pressure in the combustion chamber and a slight overpressure on the flue gas outlet. It is therefore important that the flue gas connection is fitted correctly and is airtight.

It is recommended that connectors, elbows, and chimneys be at least 24 gauge, double walled, type B ventilation.

Note that bends in the exhaust path restricts air flow, reducing performance and provides a collection point for ash deposits requiring more frequent cleaning.

⚠ CAUTION: THE JOINTS OF ANY AND ALL CONNECTIONS FOR ANY VENTILATION SYSTEMS (COMBUSTION EXHAUST AND OPTIONAL INLET AIR DUCT) MUST BE SEALED WITH HIGH TEMPERATURE SILICONE.

GENERAL VENTING REQUIREMENTS

⚠ CAUTION: DO NOT CONNECT TO ANY AIR DISTRIBUTION DUCT OR SYSTEM.

⚠ CAUTION: DO NOT CONNECT THIS UNIT TO A CHIMNEY FLUE SERVING ANOTHER APPLIANCE.

⚠ CAUTION: DO NOT INSTALL A FLUE DAMPER IN THE EXHAUST VENTING SYSTEM OF THIS WOOD PELLET FIRED STOVE.

This wood pellet fire stove must be connected to either of the following:

- Class A listed chimney complying with the requirements for Type HT chimneys in the Standard for Chimneys, Factory-Built, Residential Type and Building Heating Appliance, UL 103.
- A International Conference of Building Officials

(ICBO) standards for solid fuel Stoves code-approved masonry chimney.

VENT TERMINATION

- Install exhaust vent at clearances specified by the vent manufacturer.
- Install exhaust vent terminations at clearances specified by the vent manufacturer.
- If using the air intake kit, ensure that there is at least 12 inches clearance between the exhaust vent termination and the intake air inlet.
- It is recommended to keep at least 12" (30.5 cm) of clearance between any vent termination and windows, doors, or outside corners.
- Use silicone to create an effective vapor barrier at the location where the chimney or other component penetrates to the exterior of the structure.
- For additional requirements check local codes.

Any vertically terminated chimney systems must meet the following minimum requirements:

- Must be at least 15 feet (4.6 m) tall, measured from the top of the stove to the tip of the chimney cap.
- Must be at least 3 feet above the roof, measured from the highest point of contact with the roof and the tip of the chimney cap.
- Must be at least 2 feet (61 cm) above the highest point of the slope of the roof within 10 feet (305 cm) horizontally.

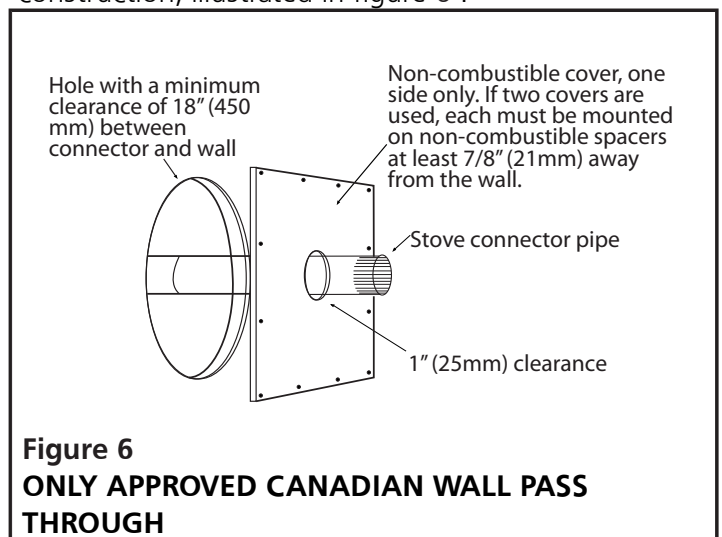
Any horizontally terminated chimney systems must meet the following minimum requirements:

- Must have at least 12" (30.5 cm) clearance above grade, veranda porch, deck or balcony (including vegetation and mulch).

PASSING THROUGH A WALL

Where passage through a wall or partition of combustible construction is desired, the installation shall conform to chimney manufacturer's instructions.

NOTE: In Canada, installation must conform to CAN/CSA-B365 when passing through combustible construction, illustrated in figure 6 .



NFPA 211 (US ONLY) APPROVED WALL PASS THROUGH TECHNIQUES

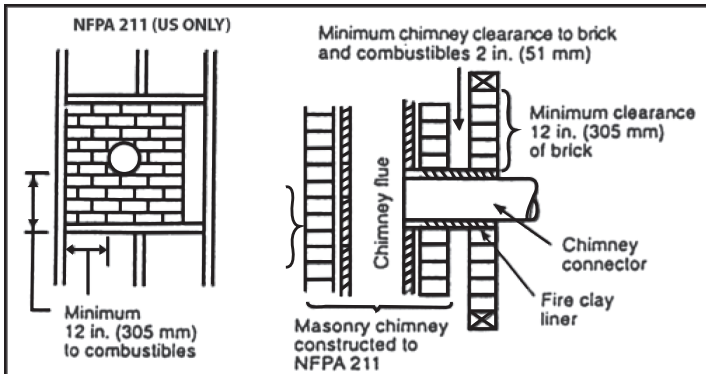


Figure 7 (US ONLY)

Brick Masonry: Minimum 3.5 inch (89 mm) thick brick masonry all framed into combustible wall with a minimum of 12 inch (305 mm) brick separation from clay liner to combustibles. The fireclay liner shall run from outer surface of brick wall to, but not beyond, the inner surface of chimney flue liner and shall be firmly cemented in place.

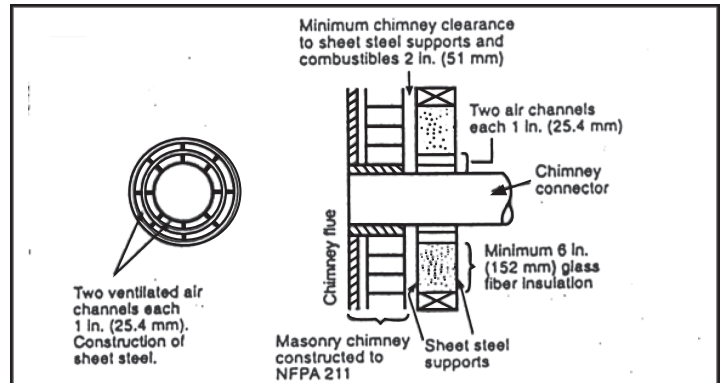


Figure 9 (US ONLY)

Ventilated Thimble: Sheet steel chimney connector, minimum 24 gauge in thickness, with a ventilated thimble, minimum 24 gauge in thickness, having two 1 inch (25.4 mm) air channels, separated from combustibles by a minimum of 6 inches (152 mm) of glass fiber insulation. Opening shall be covered, and thimble supported with a sheet steel support, minimum 24 gauge in thickness.

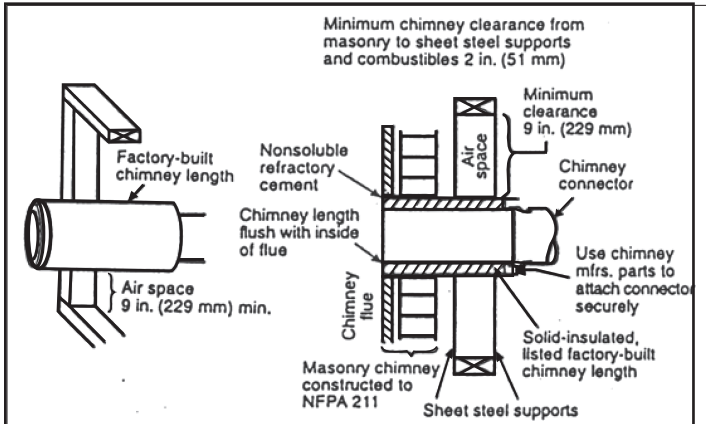


Figure 8 (US ONLY)

Insulated Sleeve: Solid-insulated, listed factory-built chimney length of the same inside diameter as the chimney connector and having 1 inch (25.4 mm) or more of insulation with a minimum 9 inch (229 mm) air space between the outer wall of the chimney length and combustibles.

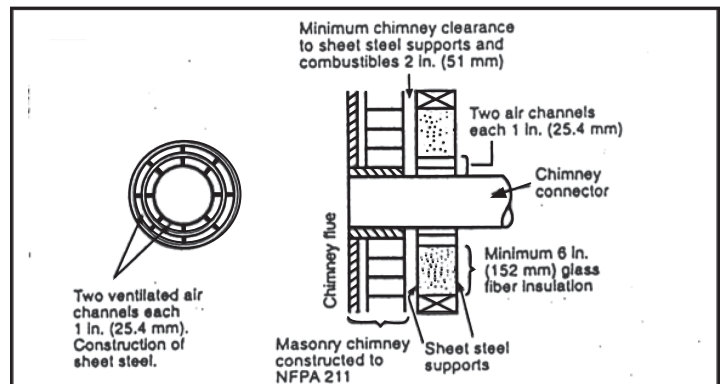


Figure 10 (US ONLY)

Chimney Section Pass-through: Solid insulated, listed factory-built chimney length with an inside diameter 2 inches (51 mm) larger than the chimney connector and having 1 inch (25.4 mm) or more of insulation, serving as a pass-through for a single wall sheet steel chimney connector of minimum 24 gauge thickness, with a minimum 2 inches (51 mm) of air space between the outer wall of chimney section and combustibles. Minimum length of chimney section shall be 12 inches (305 mm) chimney section spaced 1 inch (25.4 mm) away from connector using sheet steel support plates on both ends of chimney section. Opening shall be covered, and chimney section supported on both sides with sheet steel support securely fastened to wall surfaces of minimum 24 gauge thickness. Fasteners used to secure chimney section shall not penetrate chimney flue liner.

ADDITIONAL MOBILE HOME REQUIREMENTS

⚠ WARNING: DO NOT INSTALL IN SLEEPING ROOM.

PARTS & MATERIALS REQUIRED (NOT SUPPLIED)

- A 80mm diameter chimney which complies to UL 103, Standard for Factory-Built Chimneys for Residential Type and Building Heating Appliances.
- Ceiling thimble suitable for use in mobile home.
- Roof thimble suitable for use in mobile home.
- Spark arrestor suitable for use in mobile home.
- Roof flashing suitable for use in mobile home.

ADDITIONAL INSTALLATION REQUIREMENTS

- The chimney shall attach directly to the room heater and shall extend at least 3 feet (0.9 m) above the part of the roof through which it passes.
- The top of the chimney is to be at least 2 feet (0.6 m) above the highest required elevation of any part of the mobile home within 10 feet (3 m) of the chimney.
- All roof-chimney terminations shall be able to be readily removed at or below an elevation of 13½ feet (4.1 m) above ground level and reinstalled without the use of special tools or instructions.
- The chimney assembly shall be provided with a mechanical securement means to secure the chimney to the ceiling support box.
- Chimney Guard Requirements:
 - When the chimney exits the mobile home at a location other than through the roof, and exits at a point 7 feet (2.1 m) or less above the ground level on which the mobile home is positioned, a guard or method of enclosing the chimney shall be provided at the point of exit for a height up to 7 feet.
 - The chimney guard shall not have any openings large enough that a 3/4 inch diameter rod can enter.
 - The chimney guard shall not have any openings large enough that a 1/2 inch diameter rod can enter beyond 4 inches
- The stove must be on installed on a level surface which can support the weight of the stove.
- The stove must be bolted to the level surface so that it permanently secured and can not be moved, tipped, or have ventilation seals compromised.
- The stove must be provided a permanently ducted source of outside air to support combustion which meets the following requirements:
 - The duct must be made of metal exclusively, not other materials such as plastic.

- The end of this duct must be equipped with a screen which prevents rodents from infiltrating.
- The end of this duct must be kept free of leaves, snow, ice, or other debris that could restrict air supply when the appliance is in operation.

- The joints of any and all connections for both of ventilation systems (the inlet air and the combustion exhaust) must be sealed with high temperature silicone.
- The chimney must comply with all applicable codes and requirements of the authority having jurisdiction.
- The chimney must be removed for any mobile home transportation, and reinstalled abiding all requirements after transportation.

The flue system is based on negative pressure in the combustion chamber and a slight overpressure on the flue gas outlet. It is therefore important that the flue gas connection is fitted correctly and is airtight.

⚠ CAUTION: THE STRUCTURAL INTEGRITY OF THE MOBILE HOME FLOOR, WALL, CEILING, AND ROOF MUST BE MAINTAINED.

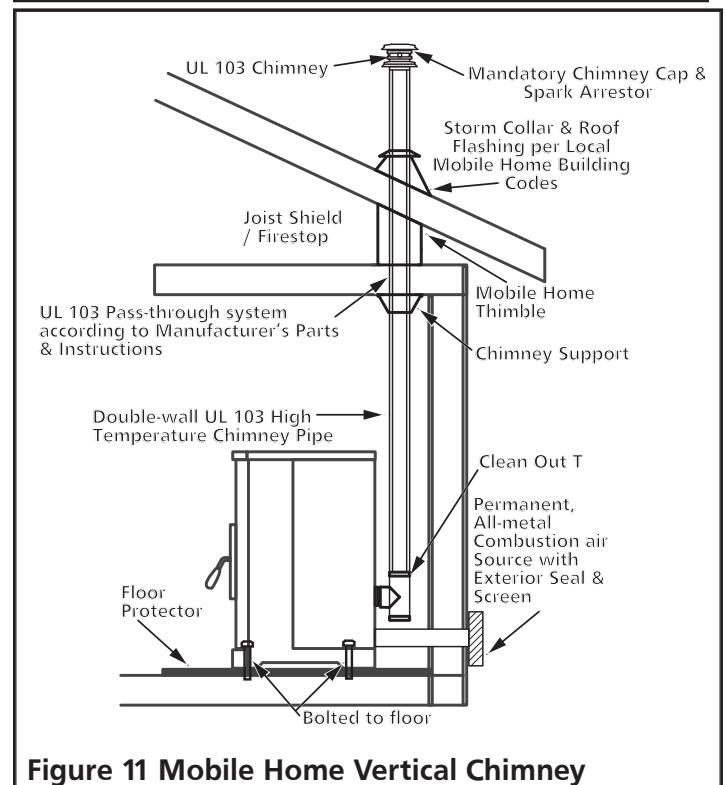
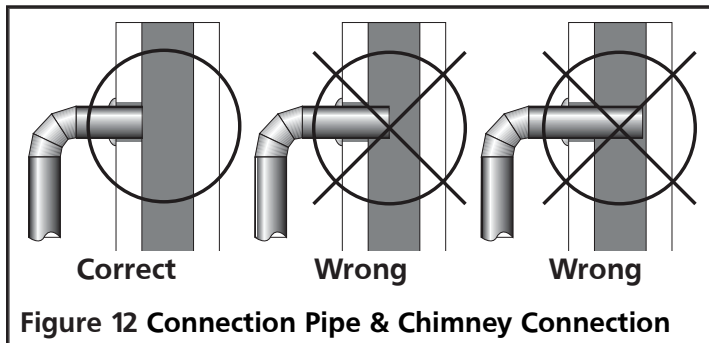


Figure 11 Mobile Home Vertical Chimney

LINED MASONRY CHIMNEY INSTRUCTIONS & DIAGRAM

This stove is designed to be vented through a masonry chimney which conforms to local building codes, fire codes, and latest edition of NFPA 211 US or CAN/CSA-B365.

1. If the connection piping from the stove to a masonry chimney is made through a combustible wall, consult a qualified mason or chimney dealer for consultation. To ensure safety, the installation should only be done by a qualified installer. The installation must conform to the regulations established by local fire codes and building codes
2. The chimney connection must not be obstructed by the chimney connector pipes, such as the figure 12 below illustrates.



3. If there is an opening at the base of the chimney it must be closed tightly.

MANUFACTURED CHIMNEY INSTRUCTIONS & DIAGRAM

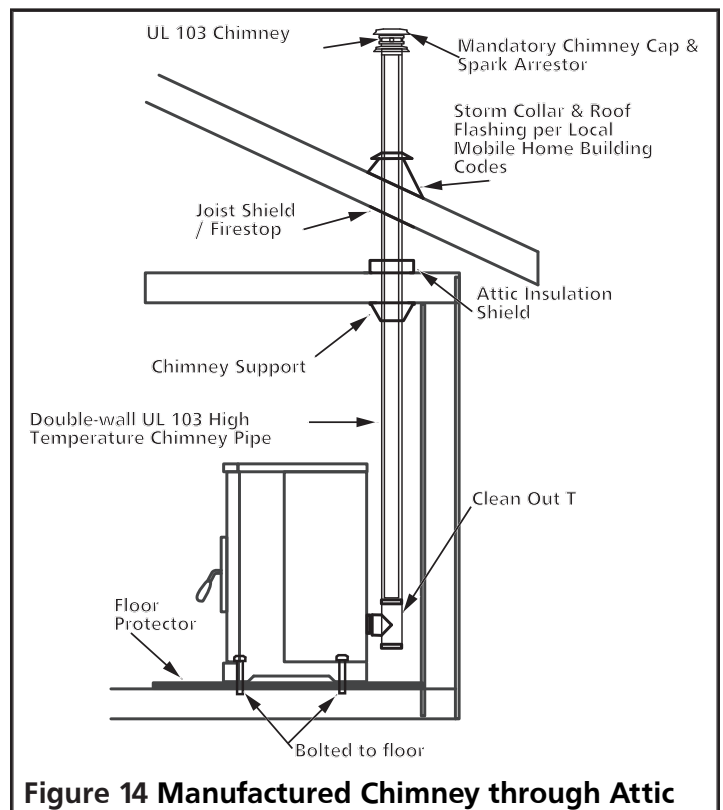
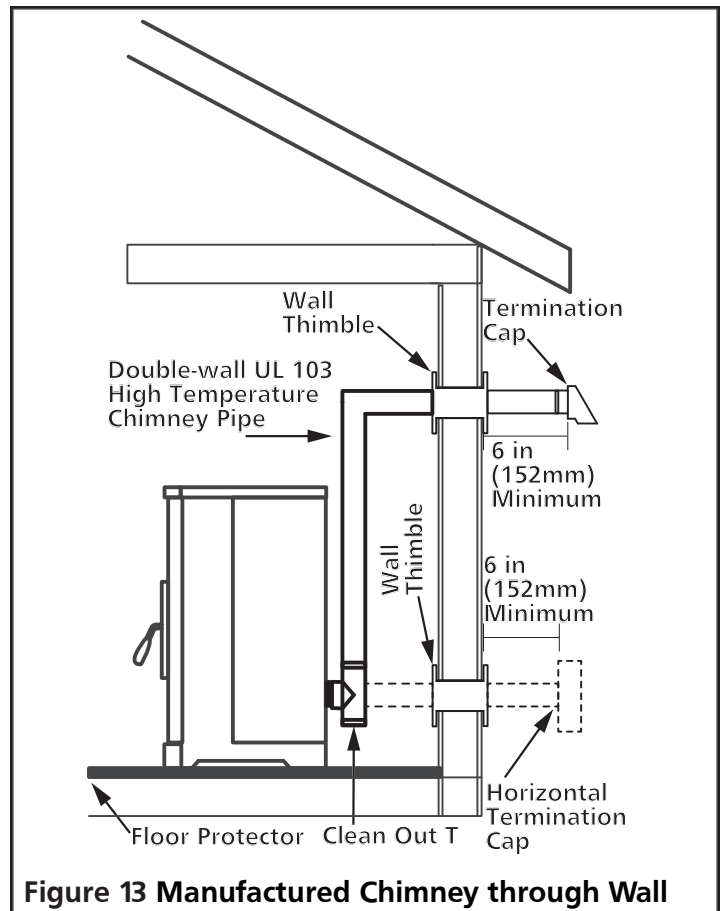
⚠ WARNING: DO NOT USE SINGLE-WALL CONNECTION PIPE AS A CHIMNEY.

This stove is designed to be used with either a UL 103HT (US)/ULC-S629 (CAN) listed manufactured chimney or an approved lined masonry chimney. Not all manufactured chimney are UL103 HT/ULC-S629 listed. Home centers, hardware stores, HVAC supply stores, and the Online websites of chimney manufacturers will be able to provide stove pipe that is rated to these standards.

This listing indicates that the Chimney is rated for high temperatures up to 2100 F (1149 C)

Only use components that all come from the same manufacturer. Do not mix brands of components for the same ventilation system.

The following figures illustrate various methods and requirements of using a manufactured chimney and connection pipes to vent the stove.



OPERATION

THEORY OF OPERATION

1. Combustion occurs in the fire pot, supported by air introduced to and under the fire pot. Note that some air blows in from the top of the combustion chamber; this helps keep ash and debris from accumulating on the door.
2. The exhaust blower draws combustion products from the stove and directs it out user-installed venting.
3. The auger transfers pellets from the hopper to the fire pot to sustain the fire.
4. A convection blower propagates air along the outside of the fire box, circulating warm and clean air into the room.

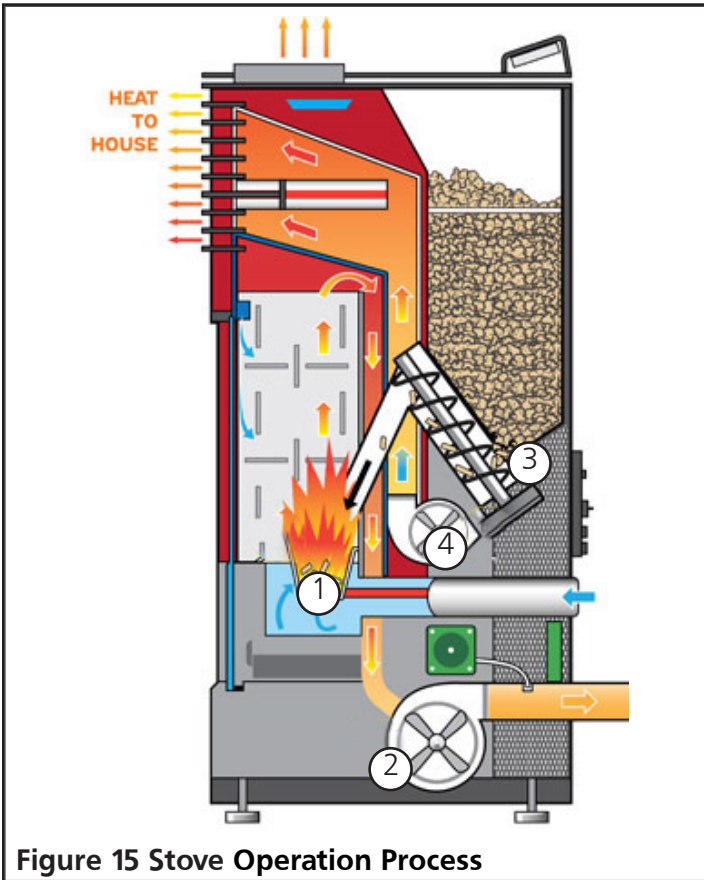


Figure 15 Stove Operation Process

APPROVED FUEL:

Do not use less than PFI premium-grade pellets. Use 100% natural wood pellets, untreated and without bonding agents added (max bark porportion of 5%) are the only fuel approved for use with this pellet stove. For best results see the specifications below:

- Calorific Value of 5.3 kWh/kg
- Density of 700 kg/m³
- The pellets should be low ash (less than 1 % ash)
- The pellets should be less then 30mm long, with a diameter between 5 and 6.5 mm.
- Do not use the pellet sediment & debris at the

bottom of the pellet container.

- Store pellets in sacks, made of environmentally neutral or biologically degradable plastic or from paper (2-3 layers / similar to cement packaging).

Use of wood pellets that do not meet these specifications may result in ignition difficulty, accelerated creosote or flyash build up, incomplete combustion, low heat yield, and blackening of the glass in the door.

- ⚠ CAUTION: DO NOT USE CHEMICALS OR FLUIDS TO START THE FIRE.**
- ⚠ CAUTION: DO NOT BURN GARBAGE OR FLAMMABLE FLUIDS SUCH AS GASOLINE, NAPHTHA OR ENGINE OIL.**
- ⚠ CAUTION: NEVER ATTEMPT TO USE ANY OF THE FOLLOWING MATERIALS AS FUEL:**
- Paper products, cardboard, or particleboard;
 - Garbage;
 - Animal remains or manure;
 - Lawn clippings or yard waste;
 - Waste petroleum products;
 - Coal;
 - Construction or demolition debris;
 - Railroad ties or pressure-treated wood;
 - Materials containing
 - asbestos
 - plastic
 - rubber (including tires)
 - Petroleum products such as
 - paints
 - paint thinners
 - asphalt products
- BURNING THESE MATERIALS MAY RESULT IN RELEASE OF TOXIC FUMES OR RENDER THE HEATER INEFFECTIVE AND CAUSE SMOKE**

Do not store wood pellet fuel or other fire starting materials on floor protector, underneath stovepipe, or anywhere within minimum clearances from combustibile surfaces specified on page 5.

Wood pellet fuel should be stored in a dry, well ventilated area.

OPERATING PRECAUTIONS

⚠ WARNING: HOT WHILE IN OPERATION. DO NOT TOUCH THE STOVE. KEEP CHILDREN, CLOTHING AND FURNITURE AWAY. CONTACT MAY CAUSE SKIN BURNS.

⚠ CAUTION: ENSURE THAT THE FIREPOT AND THE PAN UNDERNEATH ARE CLEAN AND IN THE PROPER OPERATING POSITION BEFORE USING THE STOVE.

⚠ WARNING: NEVER USE GASOLINE, GASOLINE-TYPE LANTERN FUEL, KEROSENE, CHARCOAL LIGHTER FLUID, OR SIMILAR LIQUIDS TO START OR 'FRESHEN UP' A FIRE IN THIS HEATER. KEEP ALL SUCH LIQUIDS WELL AWAY FROM THE HEATER WHILE IT IS IN USE.

PAINT CURING

To allow the paint to bond durably to the stove, start by running the stove on P1 Maximum Power for at least 30 minutes. Provide cross ventilation to eliminate odors or smoke cause by this curing process.


OPERATING PROCEDURE: TURN ON STOVE

NOTE: If the display screen indicates that the stove is "Switching Off" the stove can not be interrupted. The Display Message will highlight to indicate that the state will not be changed. Only once the "Switching Off" cycle has finished and the exchanger has cooled can the stove be turned back on again.

1. Make sure that seals on the ash drawer and door are in good condition. If the stove has never been run before, add a handful of pellets directly to the firepot. Close the ash drawer and doors securely, and check that all side panels are all properly installed.

NOTE: DO NOT USE GRATES, IRONS, OR ANY OTHER METHODS OF SUPPORTING WOOD PELLET FUEL. ONLY THE FIREPOT SPECIFIC TO YOUR MODEL OF STOVE MAY BE USED.

2. Open the hopper. Ensure that there are a sufficient number of pellets to satisfy your heating requirements. Close the hopper.

3. Depress the power button  for 3 seconds. The stove will begin to automatically progress through the following stages:

- Cleaning Cycle: The firepot draws dust, ash, &

remanants out.

- Feeding Cycle: Pellets will be transported from the Pellet Hopper into the fire pot by the auger. This can take 5 to 15 minutes depending on the model of stove.
- Lighting Cycle: The electrically powered hot surface igniter will power on for 8 minutes and begin combustion of the pellets in the firepot. The heater will remain in the Lighting Cycle until the exhaust smoke reaches a designated temperature.
- Stabilization Cycle: The heater adjusts to fine tune the stove output to the desired temperature. This can take a few minutes

4. The stove has been successfully turned on.

OPERATING PROCEDURE: TURN OFF STOVE

NOTE: THE STOVE MAY BE TURNED OFF, REGARDLESS OF WHAT CYCLE THE DISPLAY SCREEN INDICATES THAT THE STOVE IS IN, BY DEPRESSING AND HOLDING THE POWER BUTTON FOR TWO SECONDS. ONCE THE DISPLAY SCREEN INDICATES THAT THE STOVE IS IN THE STABILIZATION CYCLE PRESS THE POWER BUTTON AGAIN. THE STOVE WILL ENTER THE COOLING CYCLE, STATED ON THE DISPLAY SCREEN.

⚠ CAUTION: AFTER THE COOLING CYCLE THE STOVE AUTOMATICALLY BEGINS THE PROCESS OF CYCLING ON.

1. Depress the power button for 3 seconds. The stove will begin to automatically progress through the following stages:

- Switching Off: Any remaining fuel in the firepot will continue to burn and produce heat and flame. After 5 to 8 minutes the firepot ought to be devoid of fuel. The heat exchanger may then begin to cool off.
- Goodbye: The final message from the display screen to designate that the stove has cooled.

2. The stove has been successfully turned off.

OPERATION WITH AN ELECTRICAL GENERATOR

This stove is designed to have the option of being powered by an electrical generator, though not all electrical generator's may be compatible with this stove. Consult the information regarding your generator's electrical regulator and make sure that it meets the electrical requirements of this stove, as stated on page 3.

MINIMIZING CREOSOTE FORMATION

See "MAINTENANCE" on page 17 for an explanation of Creosote formation and removal. To slow the build up of creosote within your chimney burn only the recommended fuel, see page 12.

DISPOSAL OF ASHES











⚠ CAUTION: EMBERS MAY BE OBSCURED BY ASH. HANDLE ASH WITH TOOLS SUFFICIENT FOR FIRE TENDING, NEVER DIRECTLY WITH YOUR HANDS. WEAR FIRE RETARDANT CLOTHING AND PROTECTIVE EYEWARE.

Ashes should be placed in a metal container with a tight fitting lid.

1. Other waste shall not be placed in ash containers.
2. The closed container of ashes should be placed on a noncombustible floor or on the ground, well away from all combustible materials, pending final disposal.
3. Wood mineral residue (approximately 1-2%) remains in the ash and is an excellent natural fertilizer product for all garden plants. Before disposing ashes of by burial in soil or otherwise locally dispersed, they should be retained in the closed container until all any and all cinders have thoroughly cooled and should also be "quenched" with water.

Remote Button Functionality:

The buttons on the remote controller affect the stoves operation in the same way that the mounted button do, explained in v:

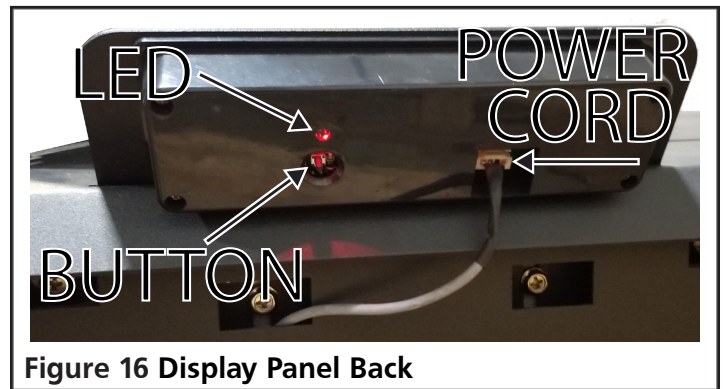
Remote Controller Button	Mounted Button Counterpart
	
	
	
	
	

Note: There are no lights or display screen on the remote controller that can indicate to you that the button presses are being received by the stove. In order to remotely control the stove but also monitor its settings, try installing the Smart Stove app.

SMART STOVE WIFI CONNECTION

This stove can be monitored, controlled, and programmed by using the smart stove app by NHHATC which is available for iOS or android device through the app store.

- Step 1. Download the Smart Stove app by NHHATC.
- Step 2. Open the Smart Stove app. The app opens, by default, to the "Devices" tab which is indicated at the bottom of the screen.
- Step 3. If you have no other wifi enabled devices already added to this app there will be a large button in the center of the screen which you can select. Otherwise, select the + symbol in the top right of the screen.
- Step 4. Make sure that your device is connected to the wifi network which you want the stove to be connected to.
- Step 5. Make sure that the wood pellet fire stove is plugged into an electrical outlet and can be powered on.
- Step 6. Follow the directions on the screen by pressing and holding the connection button for 3 seconds on the rear of the display panel as illustrated in the figure below. Once you observe the desired blinking pattern on the indicator light, press the confirmation button at the bottom of the screen.



- Step 7. Enter the password for the wifi network so that the stove can connect to the wifi network.
- Step 8. The stove will begin pairing with the device running the application through the wifi network. This process may take a few minutes.
- Step 9. If the connection between the stove and device fails, return to step 6. Rather than following the directions currently on the screen, select "AP Mode" in the top righthand corner. Then proceed with steps 7 and 8.
- Step 10. After the device and stove are paired, you will be able to see the pellet stove as a connection option on the "Devices" tab at the Operating Instructions and Owner's Manual

bottom of the app screen.

Step 11. On your device, go to your device's wifi settings which will now include the stove as an option. Select the stove as your wifi connection.

Step 12. Open the Smart Stove phone app again.

Step 13. You may now select this stove from this added devices list in order to monitor, control, and program the stoves operation.

WIFI CONTROLS

Once connected to the stove (See step 11 of Wifi Connection) you can remotely monitor and adjust the operation of the stove. See below for explanation:

- **Device Name:** it is possible to rename the stove, so that if you have multiple stoves set up for operation you can more easily differentiate between while using the smart stove application.
- **Device Sharing:** it is possible to share connection to the stove with other devices via SMS or email.
- **Eco Mode:** There are two ECO settings which can be selected which will conserve wood pellets while maintaining the desired temperature. Pressing the ECO button will allow you to toggle whether a specific eco setting is enabled, or to turn off the feature entirely.
 - **ECO 1:** The stove shuts off when the desired temperature has been reached. The stove will turn back on once the room cools to a factory set temperature.
 - **ECO 2:** The stove turns to minimum power preset P4 when the desired temperature has been reached. The stove will turn on to higher power settings once the room cools to a factory set temperature.
- **Preset configurations:** There are four selectable configurations which adjust the speeds of the combustion fan and the room air circulation fan. Pressing the preset configuration button will allow you to toggle whether a specific preset configuration is enabled, or to turn off the feature entirely.
 - P1 [Maximum Power] Settings
 - P2 [Medium Power] Settings
 - P3 [Low Power] Settings
 - P4 [Minimum Power] Settings

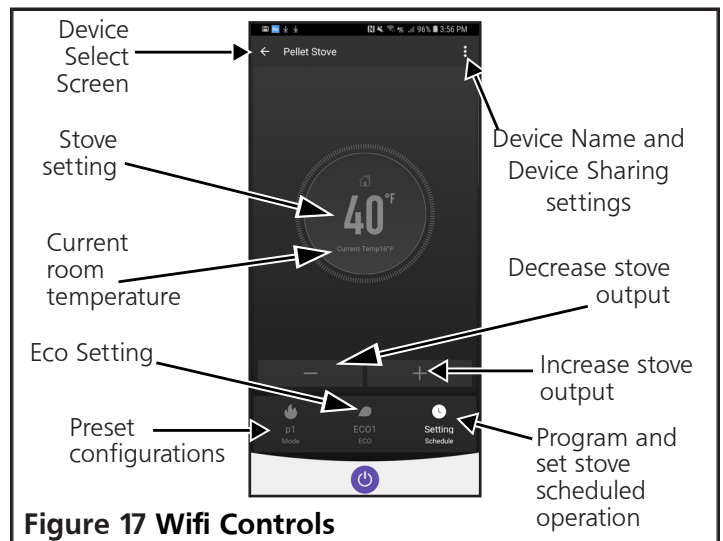
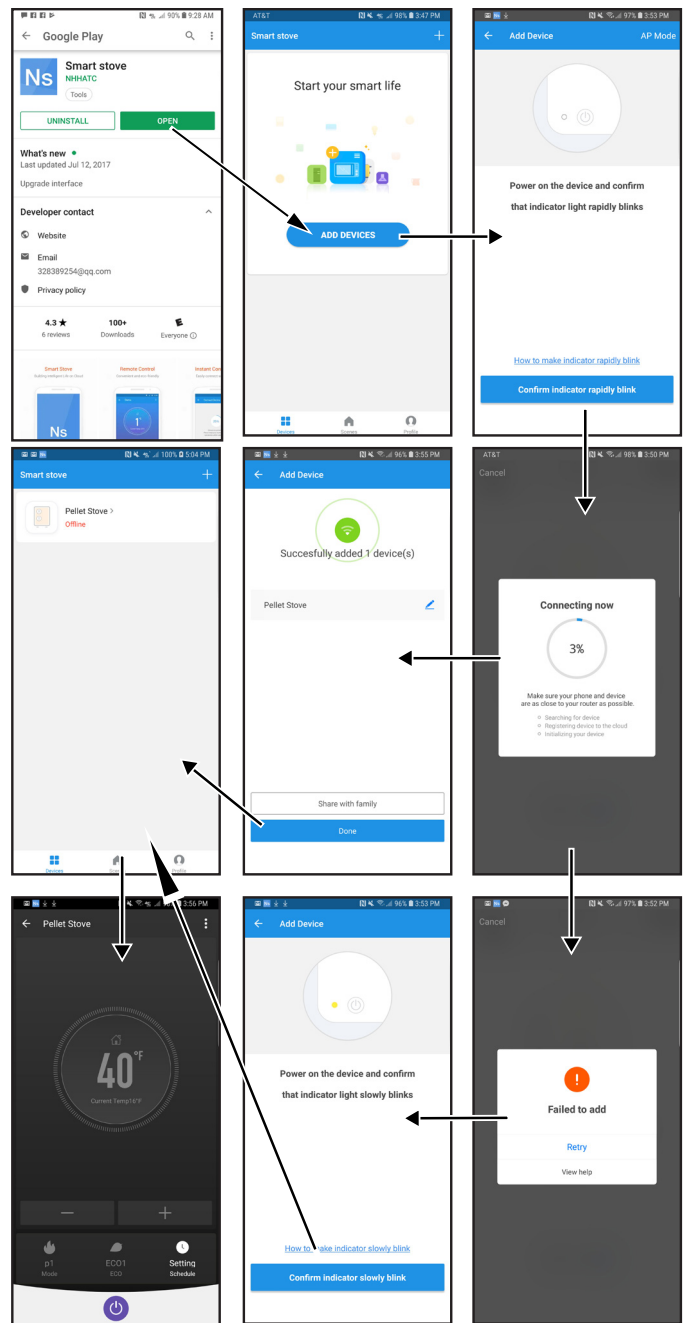


Figure 17 Wifi Controls

PS60W, PS130W, AND PSBF66W MULTI FUNCTION CONTROLS

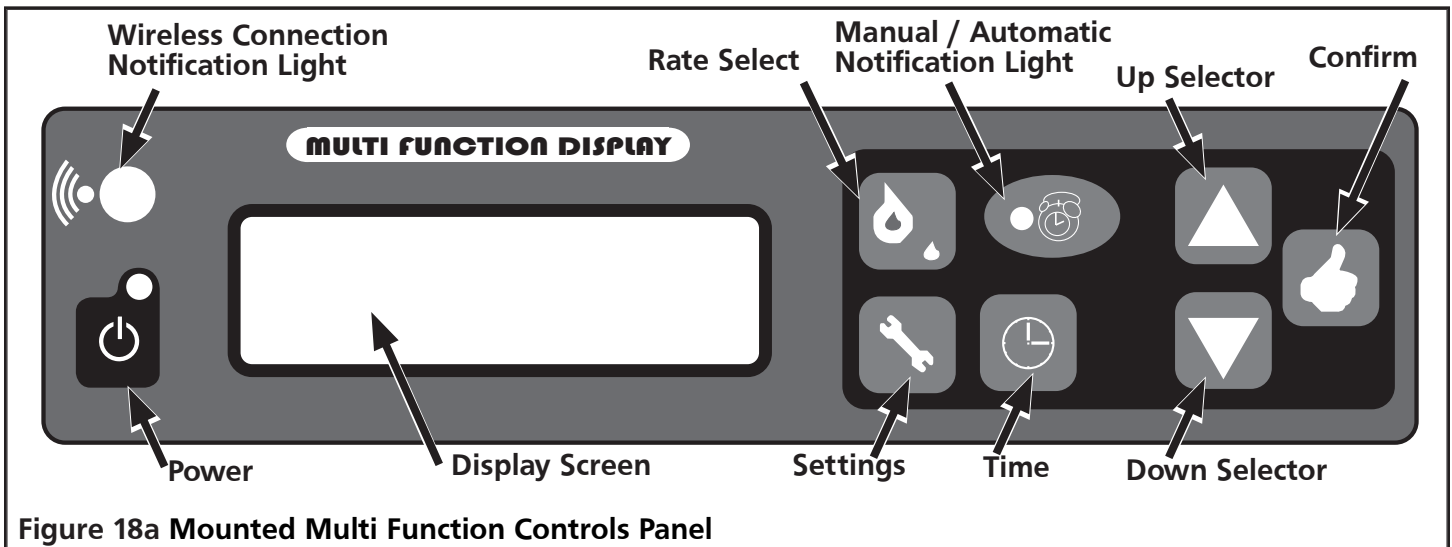


Figure 18a Mounted Multi Function Controls Panel

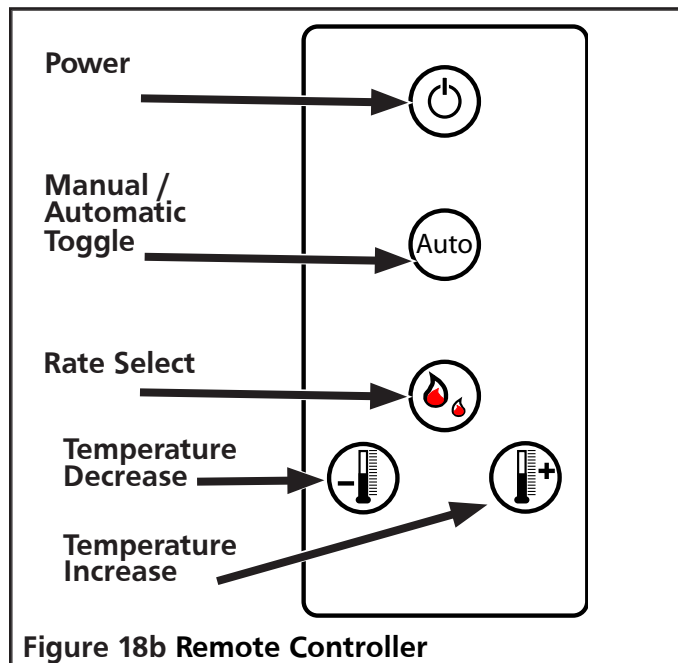


Figure 18b Remote Controller

Mounted Button Functionality: Normal Operation

	<ul style="list-style-type: none"> The light illuminates when the stove is plugged into an electrical supply. Press the power button to turn the display on for the purpose of adjusting settings. The screen will become dim after 10 seconds on inactivity. Press and hold the power button for 3 seconds to begin stove heating if the stove was off. Press and hold the power button for 3 seconds to begin stove shut off if the stove was on.
--	---

CAUTION: The manufacturer has programmed preset rates to ensure proper operation. It is not advised to reprogram rate settings.

	<p>Press to cycle between temperature reports (in Fahrenheit) display in the top right of the multi function display screen:</p> <ul style="list-style-type: none"> ##(R): Room temperature ##(S): Exhaust temperature ##(P): Protection Temperature Sensor
	<p>Press to increase the temperature which the stove is intended to heat the room to. This value is displayed in the top right of the multi function display screen as ##°F.</p>
	<p>Press to decrease the temperature which the stove is intended to heat the room to. This value is displayed in the top right of the multi function display screen as ##°F.</p>
	<p>Press to toggle the stove between manual control and programmed control. If the stove is in the program controlled setting then the notification light will be illuminated.</p>
	<p>Pressing the rate select will toggle between four configurable heating presets. The currently set preset is available in the top middle of the multi function display screen as P#.</p> <ul style="list-style-type: none"> P1: Maximum Power P2: Medium Power P3: Low Power P4: Minimum Power
	<ul style="list-style-type: none"> Press and hold the settings button for 2 seconds to enter the set up menu. Press the settings button at any time to exit the set up menu.

MAINTENANCE

This wood heater needs periodic inspection and repair for proper operation. It is against federal regulations to operate this wood heater in a manner inconsistent with operating instructions in this manual.

⚠ CAUTION: TURN OFF AND UNPLUG THE STOVE FROM ANY SOURCE OF ELECTRICAL POWER TO UNIT BEFORE PERFORMING ANY MAINTENANCE OR SERVICE OPERATIONS.

⚠ CAUTION: ALLOW STOVE TO COOL DOWN BEFORE PERFORMING ANY MAINTENANCE OR SERVICE OPERATIONS.

⚠ CAUTION: DURING ANY ASSEMBLY OR DISASSEMBLY, BE WARY TO NOT DROP ANY ITEMS (SCREWS, ETC.) INTO THE PELLET HOPPER. DEBRIS CAN JAM THE AUGER AND DAMAGE THE STOVE.

The frequency which your stove's requires cleaning and maintenance depends on the fuel that you use. High moisture, ash, dust, and chips can more than double the necessary maintenance. Use only the tested and recommended wooden pellets fuel.

Clean the fire pot and fire pan every day, before using the stove and while the stove is cooled down, the stove is unplugged, and there are no embers. Use a vacuum cleaner to remove ash and debris from the fire pot, and then lift the fire pot to also clean the fire pan. It is important that ash or debris does not block any air openings.

A general cleaning schedule is as follows:

- Fire Pot: After 10 bags of wood pellets, or every day. Whichever is more frequent.
- Ash Drawer: After 50 bags of wood pellets
- Passageways: After 100 bags of wood pellets
- Blower: After 100 bags of wood pellets

CLEANING: FIRE POT & PAN

⚠ CAUTION: IF STOVE IS INTENDED TO OPERATE CONTINUOUSLY, IT MUST BE TURNED OFF TWICE WITHIN EACH 24 HOUR PERIOD IN ORDER TO CLEAN THE FIRE POT AND FIRE PAN. ALWAYS ALLOW THE STOVE TO COOL DOWN AND ANY EMBERS TO EXTINGUISH BEFORE CLEANING THE FIRE POT AND FIRE PAN.

Make sure that you put the fire pot back onto the fire pan in the correct orientation, so that pellets can be added to the pot and successfully ignited for the next operation of the stove.

CLEANING: GLASS

⚠ WARNING: DO NOT CLEAN GLASS WHEN HOT.

Though the circulation of air across the glass reduces acidic ash build up, cleaning the glass in the stove door is still required periodically. Cleaning is necessary to prevent glass from being weakened which may increase likelihood of cracks. It is not acceptable to operate the stove with cracked or broken glass.

The best way to clean the door glass is using a damp cloth that has a smear of cool ash on it. For extra stubborn dirt, consult your local hardware store or stove specialist for a suitable cleaner.

⚠ WARNING: DO NOT CLEAN GLASS WITH ABRASIVE CLEANERS OR BY ANY OTHER PROCESS WHICH MAY SCRATCH OR DAMAGE THE GLASS.

CLEANING: INLET AND OUTLET PASSAGEWAYS

The inlet and outlet passageways should be cleaned at least once a year. Burning high ash pellets may require that the passageways are cleaned more frequently.



Figure 19 Inlet Duct

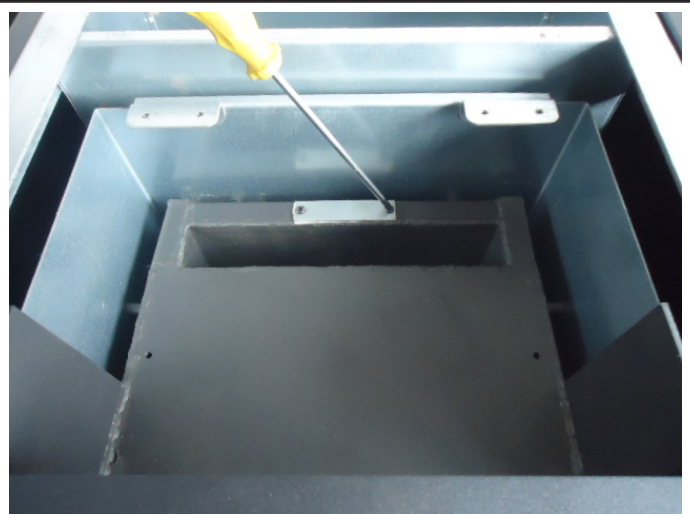


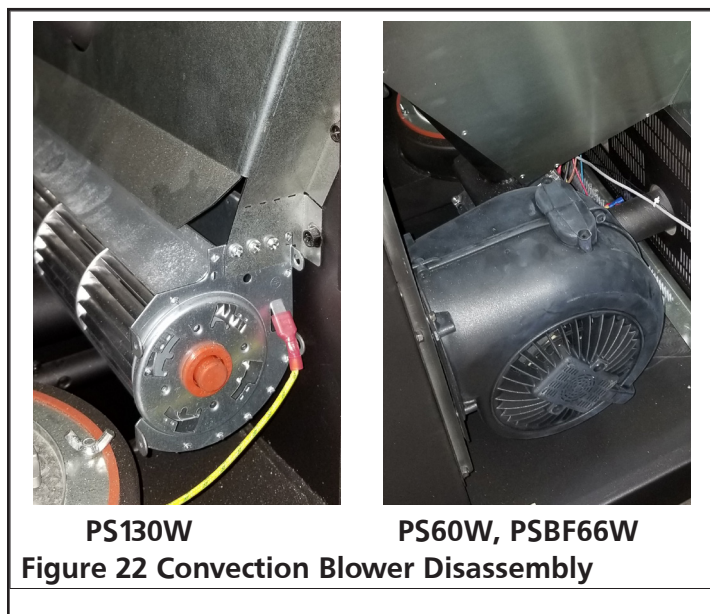
Figure 20 Outlet Duct

On each side of the stove there are two access covers that can be removed by removing the fastening screws. See Figures 22, 25 and 26. Turn off the stove, allow the stove to cool down, and unplug the stove before disassembly and cleaning. Insert a cleaning brush into the openings to loosen any ash build up and then use a vacuum cleaner to remove the loosened ash. Replace the covers and secure with the allen head screws.

There are two more openings to the inlet and outlet passageways which can be accessed by removing the ash drawer. Loosen the two 5/32" allen head screws shown in Figure 20. Rotate the covers to expose the opening. Use a cleaning brush to loosen any ash build up. Insert a cleaning brush into the openings to loosen any ash build up and then use a vacuum cleaner to remove the loosened ash. Rotate the covers back over the openings and secure with the allen screws.

CLEANING: CONVECTION BLOWER

When facing the heater, the blower motor responsible for introducing air for heating and circulation to the room is located on the right hand side. Remove or open the side panel to obtain access. Clean the convection blower as required, before using the stove and while the stove is cooled down, the stove is unplugged, and there are no embers. Take care to not damage the blower's blades during cleaning. Use a vacuum to remove any dust accumulation of the blower's blades or inside the blower duct.



PS130W

PS60W, PSBF66W

Figure 22 Convection Blower Disassembly

CLEANING: EXHAUST VENT PIPE

Inspect the exhaust venting system at least once a year to determine if cleaning is necessary. During start up, shut down, and erroneous operation of the stove incomplete combustion can produce ash, soot, and

creosote. To clean the exhaust venting system insert an appropriate sized cleaning brush into the pipe to loosen and remove any ash or debris build up. Build up of debris and ash can restrict the flow of gases which will affect stove performance, and failure to remove creosote may result in a dangerous chimney fire.

FLYASH - FORMATION AND NEED FOR REMOVAL

The products of combustion will contain small particles of flyash. The flyash will collect in the exhaust venting system and restrict the flow of the flue gases. Incomplete combustion, such as occurs during startup, shutdown, or incorrect operation of the room heater will lead to some soot formation which will collect in the exhaust venting system. The exhaust venting system should be inspected at least once every year to determine if cleaning is necessary. Use the appropriate sized chimney brush to remove ash and buildup from the venting.

CREOSOTE - FORMATION AND NEED FOR REMOVAL

Failure to remove creosote may result in a dangerous chimney fire.

When wood pellets burn at a low temperature they produce tar and other organic vapors, which combine with expelled moisture to form creosote. The creosote vapors condense in the relatively cool chimney flue of allow-temperature fire. As a result, creosote residue accumulates on the flue lining. When ignited this creosote makes an extremely hot fire. The chimney connector and chimney should be inspected at least once every few months during the heating season to determine if a creosote buildup has occurred. If a significant layer of creosote has accumulated (eighth of an inch, 3 mm, or more) it should be removed to reduce the risk of a chimney fire. Use the appropriate sized chimney brush to remove ash and buildup from the venting.

Be aware that the hotter the fire the less creosote is deposited, and weekly cleaning may be necessary in mild weather even though monthly cleaning may be enough in the coldest months. Contact your local municipal or provincial fire authority for information on how to handle a chimney fire. Have a clearly understood plan to handle a chimney fire.

REPLACING: GLASS

Replacing the door glass is only permitted by replacing the entire door assembly provided by the manufacturer. See pages 27 through 29.

⚠ WARNING: SUBSTITUTING ALTERNATE MATERIAL MAY SHATTER GLASS AND CAUSE INJURY.

REPLACING: SEALING GASKETS

Over time the sealing gaskets along the glass, door, or ash drawer may lose their rigidity. These seals are essential for providing a seal which allows the stove to operate safely. Inspect the gaskets periodically, and if they become worn contact the manufacturer for information on original or equivalent gasket.

To replace the gasket:

1. Ensure that all pellets are extinguished and that the stove is cool to the touch.
2. Remove old gasket and clean the gasket gutter.
3. Apply a thin coat of high temperature gasket cement along the inside of the gasket gutter.
4. Press the beginning of the replacement gasket into the most up and most left position of the prepared gasket gutter.
5. Continue pressing the replacement gasket clockwise along the gasket gutter until it has wrapped back to where the gasket was pressed in initially.
6. Trim any excess replacement gasket away, and press the remaining end into the gutter to complete the seal.

Close the door, drawer, or ash drawer and allow 3 to 4 hours for the cement to set before operating the stove.

REPLACING: HOT SURFACE IGNITER

Ensure that the stove is off and allow it time to become cool to the touch. After gaining access to the back, undo the screw located on the back inside of the main body. Pull the hot surface igniter free, and install replacement service part. See Figure 23 and 25.

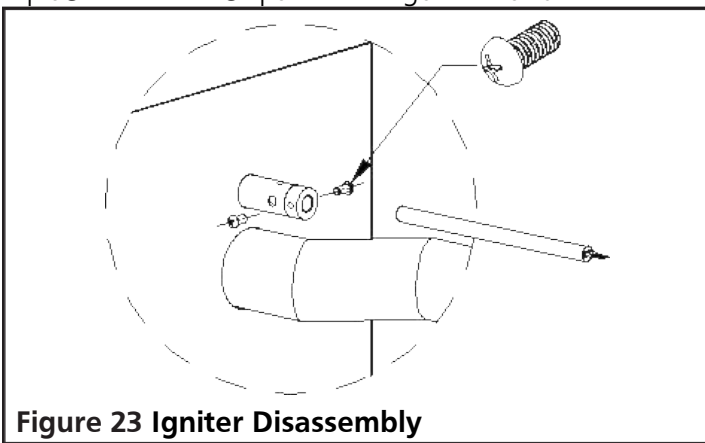


Figure 23 Igniter Disassembly

REPLACING: AUGER SYSTEM

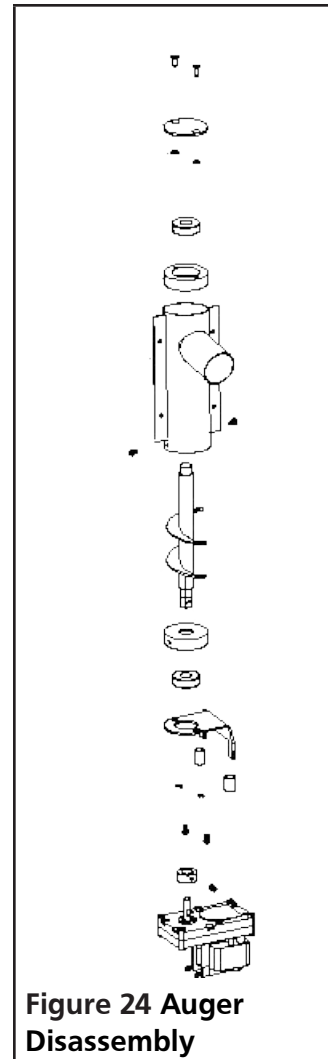


Figure 24 Auger Disassembly

Ensure that the stove is off and allow it time to become cool to the touch. After gaining access to the back, the auger can be disassembled part by part in the order indicated in Figure 24.

REMOVING BACK AND SIDE PANEL



Figure 25 PS130W Back & side disassembly

- To remove the PS130W side panels, remove the screws securing it on the rear of the heater. Then slide the panel along the side of the heater away from the front.
- To remove the PS130W rear plate, remove the 8 screws securing it at the bottom and rear of the stove.
- To remove the PS60W side panels, remove the screws securing it on the rear of the heater. Then pull the panel directly away from the heater.
- To open the side of the PSBF66W model, simply swing the side panel free of the magnetic lock.

REPLACING: HEAT EXCHANGE BLOWER

Unplug the heater. Disconnect any wiring leading to the Heat Exchange Blower. Remove the screws holding the mounting plate to the heater. Slowly remove blower and replace with new one. Replace screws and wiring.

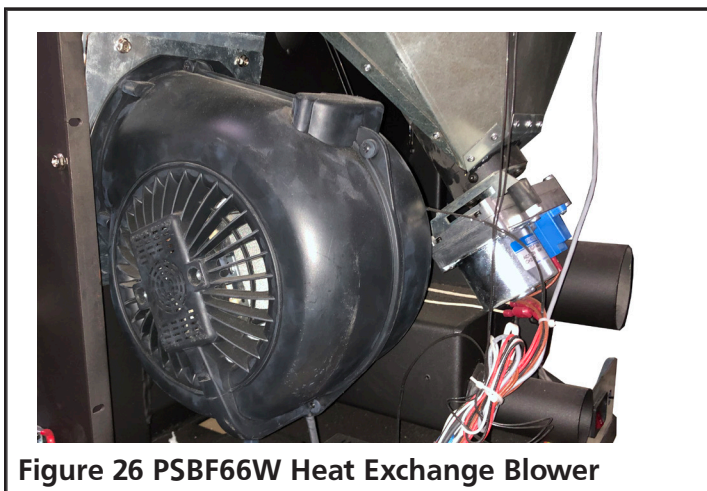


Figure 26 PSBF66W Heat Exchange Blower

REPLACING: EXHAUST BLOWER

Unplug the heater. Disconnect any wiring leading to the Exhaust Blower. Remove the wing nuts holding the Exhaust Blower plate to the blower housing. Slowly remove blower and replace with new one. Replace wing nuts and wiring.

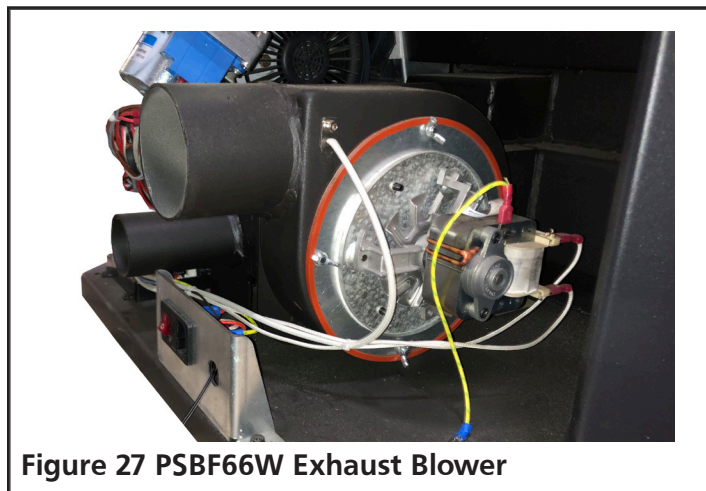


Figure 27 PSBF66W Exhaust Blower

SAFETY COMPONENTS

1. Vacuum Pressure Switch: A safety vacuum switch is located behind the left door, fastened to the base. If a low pressure is created in the firebox by a leak, opening the door to the firebox, a blocked flue, or an unsealed ash drawer then the switch will shut the stove off as a precaution. Error code E5 will appear on the display panel.
2. High Limit Thermostat: A high temperature limiter is installed on the bottom of the hopper. If this sensor is exposed to temperatures higher than 158 degrees then the stove is shut off.
3. Vent Pipe High Temperature Thermostat: A high temperature limiter is installed on the vent pipe. If this sensor is exposed to temperatures higher than 104 degrees then the circulation fan blower is switched on.
4. Vent Pipe Low Temperature Thermostat: If the stove cools below a minimum temperature the stove will switch off. This may occur when the operating procedure fails to quickly and sufficiently heat the stove.
5. Fuse: A fuse on the rear of the device protects the stove from power surges. See Figure 28.




Figure 28 Fuse

ERROR CODES

NOTE: IN THE EVENT OF A POWER FAILURE (ERROR CODE E7), A SMALL AMOUNT OF SMOKE MAY BE EMITTED. THIS LASTS 3 TO 5 MINUTES AND DOES NOT REPRESENT A SAFETY RISK.

⚠ CAUTION: IF OVERHEATING HAS OCCURRED (ERROR CODES E5 AND E6), THEN AN INSPECTION, MAINTENANCE, AND/OR CLEANING MUST OCCUR BEFORE THE STOVE CAN SAFELY BE OPERATED AGAIN.

After following the suggested solution steps, press the confirm button  to clear the error code from the error code from the multi function display screen. Then go through the operation procedure specified on page 13 to restart the heater.

ERROR CODE	CAUSE	SOLUTION
E1	Exhaust temperature is below 40 - 45 °F Operation has been interrupted and the fire has been discontinued.	<ol style="list-style-type: none"> 1. Check that the pellet hopper has fuel. 2. Check that the auger motor is not damaged and is able to fill the firepot with fuel.
E2	Failure to ignite the fuel in fire pot.	<ol style="list-style-type: none"> 1. Check that there are no "clinkers" (glass like lumps of various sizes formed by debris exposed to high heat, more common when using low quality fuel) in fire pot. 2. Check that the firepot is sitting in the holder correctly and that the igniter is not obstructed. 3. Check that the exhaust gas temperature sensor switch, beside the combustion fan, is not broken. 4. Check that the igniter is not broken.
E5	Low pressure detected at the vacuum switch (located behind the left door, fastened to the base).	<ol style="list-style-type: none"> 1. Check that the door, and ash drawer if present, has been closed properly. 2. Check that there is nothing obstructing the exhaust duct nor that the duct is leaking. 3. Check that the combustion fan is not broken.
E6	Failure at the high temperature sensor (located below the pellet hopper).	<ol style="list-style-type: none"> 1. Check that the switch is not broken. 2. The temperature of the sensor is too high. The stove is not running properly. Call customer service.
E7	Power failure.	Press the Confirm button to clear the error code. Then restart the stove. You may chose to skip directly into the stabilization cycle by depressing and holding the rate selector button for 3 seconds.
ESC1	Short circuit at temperature sensor #1.	<ol style="list-style-type: none"> 1. Check wires and connection points. 2. Replace Motherboard.
ESO1	Open circuit at temperature sensor #1.	<ol style="list-style-type: none"> 1. Check wires and connection points. 2. Replace Motherboard.
ESC2	Short circuit at temperature sensor #2.	<ol style="list-style-type: none"> 1. Check wires and connection points. 2. Replace Motherboard.

ERROR CODES CONTINUED

ESO2	Open circuit at temperature sensor #2	1. Check wires and connection points. 2. Replace Motherboard.
ESC3	Short circuit at temperature sensor #3	1. Check wires and connection points. 2. Replace Motherboard.
ESO3	Open circuit at temperature sensor #3	1. Check wires and connection points. 2. Replace Motherboard.

TROUBLESHOOTING

SYMPTOM	CAUSE	SOLUTION
Heater does not turn on.	Power Switch turned off.	Turn on power switch.
	Power Cord disconnected.	1. Press power cord tightly into the heater 2. Ensure that the wall socket is delivering 120 Volts.
	Fuse is blown.	Replace the fuse.
The blower does not turn on during Cleaning Cycle, Feeding Cycle, or Lighting Cycle.	This is normal.	There is no problem, the blower does not turn on until the stabilization cycle.
The blower does not turn on during Stabilization Cycle.	No power in stove or in control panel.	Check the power and wires.
	Mother board disconnected.	Make sure all terminals to mother board are connected.
	Low Temperature sensor is broken.	Replace the low temperature sensor.
During the Lighting phase the auger is not filling the firepot with pellets.	This is normal.	There is no problem, the auger does not operate during the Lighting phase.
During operation, besides the Lighting phase, the auger is not filling the firepot with pellets.	No fuel in Pellet Hopper.	Add Fuel to Pellet Hopper.
	Auger is blocked, jammed, or disconnected.	1. Unplug the unit so that it will not start suddenly and then unblock the auger. 2. Check that the auger is not blocked. If it is blocked, remove the cause of the jamming. 3. Check that the auger screw fastening the auger to the motor is secure.

TROUBLESHOOTING CONTINUED

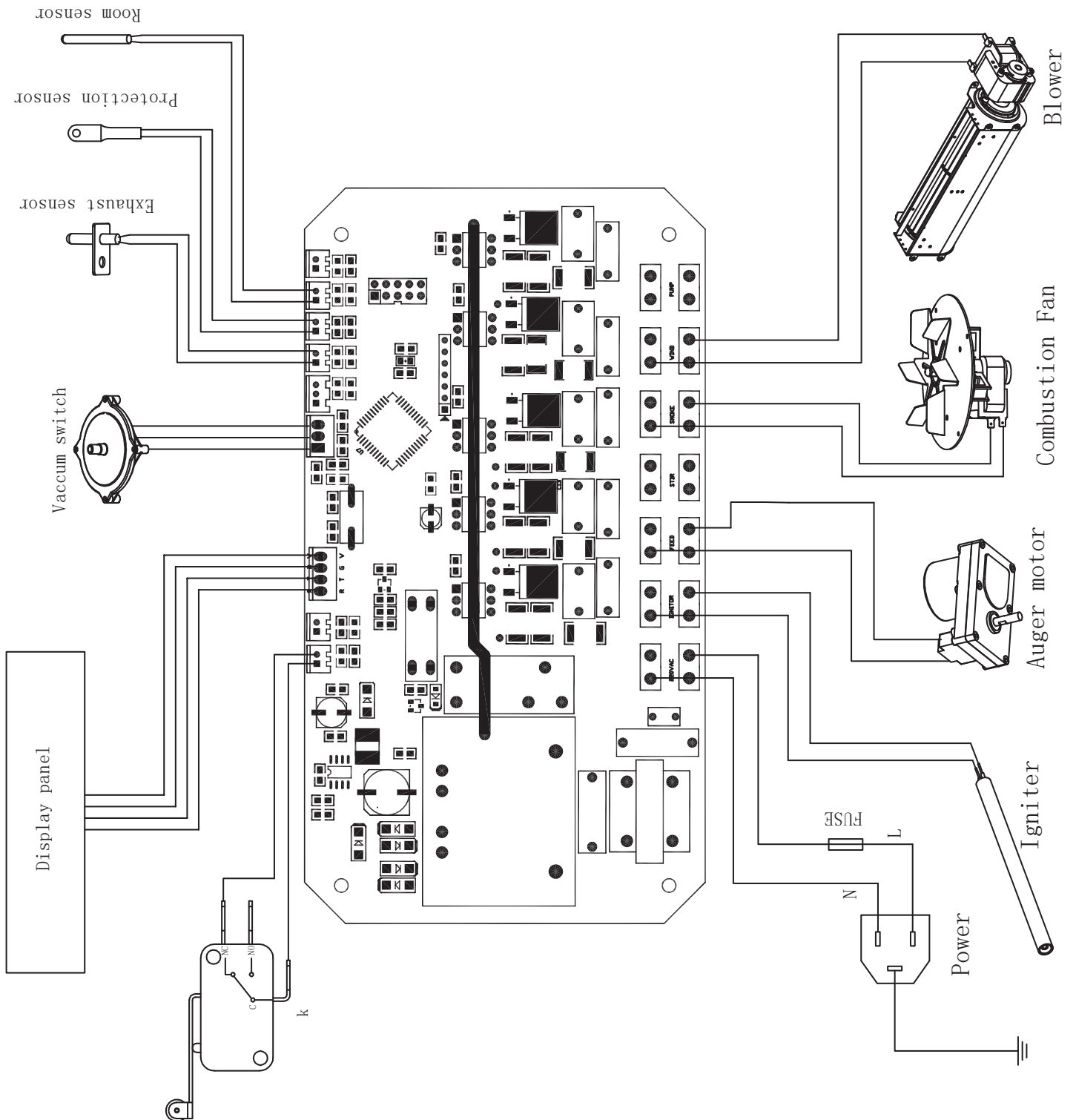
SYMPTOM	CAUSE	SOLUTION
Too much fuel in the firepot. The fuel can not be completely and thoroughly burned.	The feeding speed is faster than what combustion can support.	<ol style="list-style-type: none"> 1. Increase the fan's speed to increase the rate of combustion. 2. Reduce the feeding speed.
Not enough fuel in the firepot.	The feeding speed is too low to support the rate of combustion.	<ol style="list-style-type: none"> 1. Decrease the fan's speed to decrease the rate of combustion. 2. Increase the feeding speed.
After the fire has started, the stove turns off 15 minutes later.	The pellet hopper is low on fuel.	Check that the pellet hopper has a sufficient amount of fuel.
	The auger is not operating.	<ol style="list-style-type: none"> 1. Unplug the unit so that it will not start suddenly and then unblock the auger. 2. Check that the auger is not blocked. If it is blocked, remove the cause of the jamming. 3. Check that the auger screw fastening the auger to the motor is secure.
	The 30 ° C temperature switch has triggered.	<ol style="list-style-type: none"> 1. Check that wires to the switch are sufficiently connected. 2. Replace the 30 ° C temperature switch.
	The pressure switch inside the stove is broken.	Replace the pressure switch.
Orange flame, pellets piling up in firepot, carbon residue forming on glass.	Insufficient air for sufficient combustion.	<ol style="list-style-type: none"> 1. Check that the air inlet vent in the front is open. 2. Check that the door and window gaskets are intact. 3. Check if the air inlet ducting and the combustion exhaust ducting are blocked. 4. Increase the cross sectional area of the ducting. 5. Increase the fan's speed to increase the rate of combustion. 6. Contact the manufacturer for assistance.

TROUBLESHOOTING CONTINUED

SYMPTOM	CAUSE	SOLUTION
The fire extinguishes and the power shuts off.	No fuel in Pellet Hopper.	Add Fuel to Pellet Hopper.
	Auger is blocked or jammed or disconnected.	<ol style="list-style-type: none"> 1. Unplug the unit so that it will not start suddenly and then unblock the auger. 2. Check that the auger is not blocked. If it is blocked, remove the cause of the jamming. 3. Check that the auger screw fastening the auger to the motor is secure.
	The feeding speed is too low to support the rate of combustion.	<ol style="list-style-type: none"> 1. Decrease the fan's speed to decrease the rate of combustion. 2. Increase the feeding speed.
	The 30 ° C temperature switch has triggered.	<ol style="list-style-type: none"> 1. Check that wires to the switch are sufficiently connected. 2. Replace the 30 ° C temperature switch.
The fire extinguishes and the power shuts off (continued).	Requested temperature has been reached.	This is normal "ECO" mode behavior. The stove will automatically switch on once the ambient room temperature drops below the temperature that the stove is set to maintain.
The circulation blower continues to operate after the stove is cool and the fuel consumption has ceased.	The 30 ° C temperature switch has triggered.	<ol style="list-style-type: none"> 1. Check that wires to the switch are sufficiently connected. 2. Replace the 30 ° C temperature switch.
The stove is not circulating a sufficient volume of sufficiently hot air.	The fuel is inadequate.	Use pellet fuel specified by this manual.
	The circulating blower is set too slow or is compromised.	<ol style="list-style-type: none"> 1. If the blower is broken, change out the blower 2. If the mother board which connects to the blower is broken, change out the mother board.
	Heat exchange tubes or flue pass is dirty.	Clean the heat exchanger tubes or flue pass.

WIRING DIAGRAM

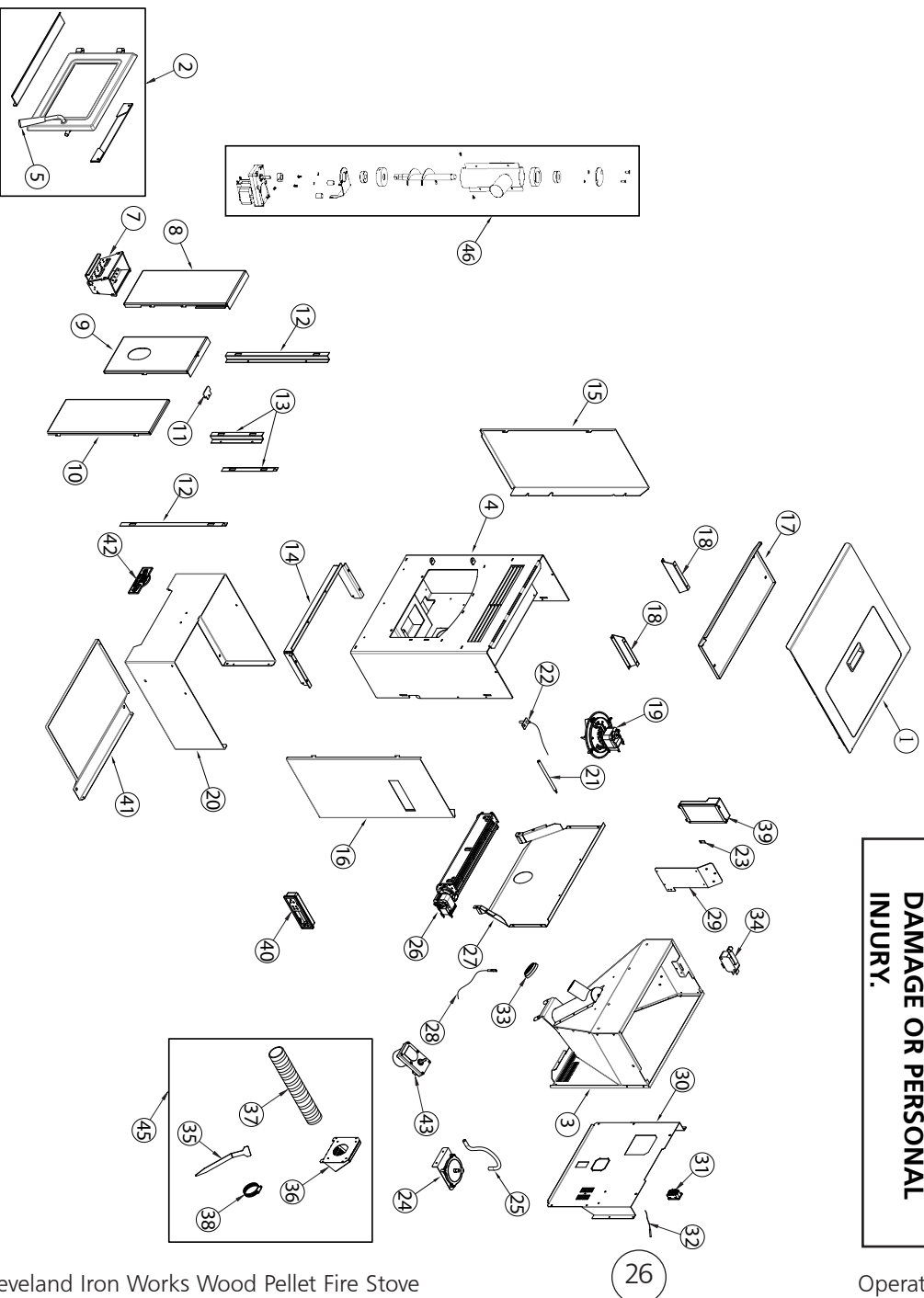
NOTE: IF ANY OF THE ORIGINAL WIRE AS SUPPLIED WITH THE APPLIANCE MUST BE REPLACED, IT MUST BE REPLACED WITH WIRING MATERIAL HAVING A TEMPERATURE RATING OF AT LEAST 105 C AND RATED FOR 600V



SERVICE PARTS MODEL PS60W

NO.	P/N	DESCRIPTION
1	66623	Top Cover
2	66624	Door Assembly
3	n/a	Hopper
4	n/a	Main Body
5	66603	Door Handle
7	66625	Fire Pot
8	n/a	Flue Board-Left
9	n/a	Flue Board-Middle
10	n/a	Flue Board-Right
11	n/a	Upper Flue Plate
12	n/a	Flue Fixed Plate-Long
13	n/a	Flue Fixed Plate-Short
14	n/a	Pedestal Fixed Plate
15	66626	Left Side panel
16	66627	Right Side panel
17	n/a	Thermal Insulation Plate
18	n/a	Insulation Support Plate
19	66607	Combustion Blower
20	n/a	Pedestal Plate
21	66608	Igniter
22	66609	Temperature Sensor
23	n/a	Grounding Screw
24	66628	Vacuum Switch
25	66629	Vacuum Switch Silicone Tube
26	66630	Circulation Blower
27	n/a	Chamber Insulation Cover
28	66613	Safety Sensor
29	n/a	Motherboard Fixed Plate
30	66631	Rear Cover
31	66615	Power Socket
32	66616	Room Sensor
33	66622	Silicone Rubber Sealing Ring
34	66617	Switch
35	n/a	Cleaning Tool (see # 45)
36	n/a	Fresh Air Intake Vent (see # 45)
37	n/a	Aluminum Expansion Tube (see # 45)
38	n/a	Clamp (see # 45)
39	66618	Motherboard
40	66619	Display Panel
41	n/a	Inner Pedestal Plate

NO.	P/N	DESCRIPTION
42	n/a	Nameplate
43	66621	Auger Motor
44	66658	Remote (not shown)
45	66659	Accessory Kit
46	66660	Auger Assembly



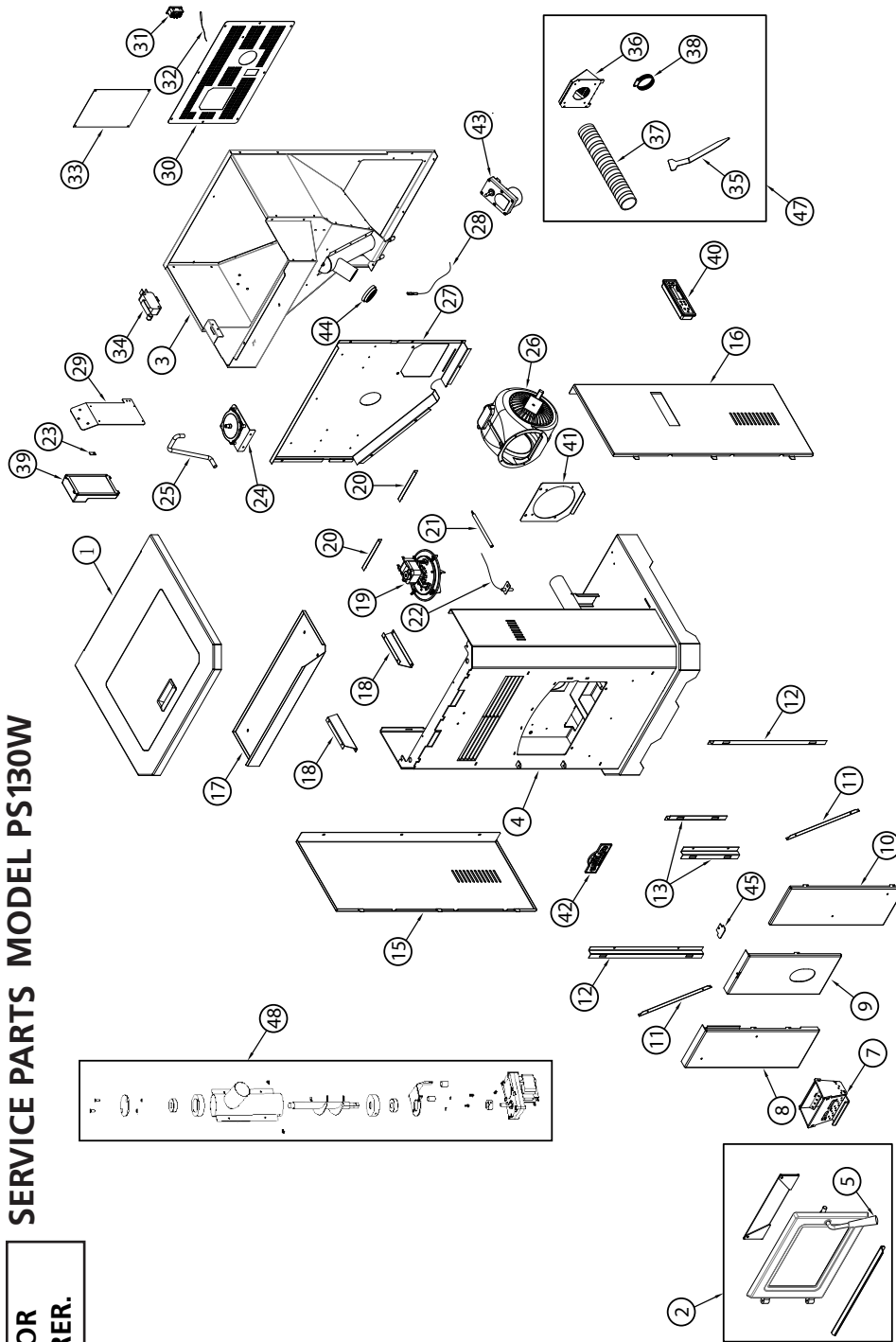
⚠ WARNING: FAILURE TO POSITION THE PARTS IN ACCORDANCE WITH THESE DIAGRAMS OR FAILURE TO USE ONLY PARTS SPECIFICALLY APPROVED WITH THIS STOVE MAY RESULT IN PROPERTY DAMAGE OR PERSONAL INJURY.

NOTE: NOT ALL PARTS AVAILABLE. FOR QUESTIONS CONTACT MANUFACTURER.

NOTE: NOT ALL PARTS AVAILABLE. FOR QUESTIONS CONTACT MANUFACTURER.

WARNING: FAILURE TO POSITION THE PARTS IN ACCORDANCE WITH THESE DIAGRAMS OR FAILURE TO USE ONLY PARTS SPECIFICALLY APPROVED WITH THIS STOVE MAY RESULT IN PROPERTY DAMAGE OR PERSONAL INJURY.

SERVICE PARTS MODEL PS130W



NO.	P/N	DESCRIPTION
1	66601	Top Cover
2	66602	Door Assembly
3	n/a	Hopper
4	n/a	Main Body
5	66603	Door Handle
7	66604	Fire Pot
8	n/a	Flue Plate-Left
9	n/a	Flue Plate-Middle
10	n/a	Flue Plate-Right
11	n/a	Flue Plate Reinforcement
12	n/a	Flue Fixed Plate-Long
13	n/a	Flue Fixed Plate-Short
15	66605	Left Side Panel
16	66606	Right Side Panel
17	n/a	Thermal Insulation Board
18	n/a	Insulation Support Plate
19	66607	Combustion Blower
20	n/a	Reinforcing Plate
21	66608	Igniter
22	66609	Temperature Sensor
23	n/a	Ground Screw
24	66610	Vacuum Switch
25	66611	Silicone Tube
26	66612	Circulation Blower
27	n/a	Chamber Insulation Cover
28	66613	Safety Sensor

NO.	P/N	DESCRIPTION
29	n/a	Motherboard Fixed Plate
30	66614	Rear Cover
31	66615	Power Socket
32	66616	Room Sensor
33	n/a	Rating Label
34	66617	Switch
35	n/a	Cleaning Tool (see # 47)
36	n/a	Fresh Air Intake Vent (see # 47)
37	n/a	Aluminum Expansion Tube (see # 47)
38	n/a	Clamp (see # 47)

NO.	P/N	DESCRIPTION
39	66618	Motherboard
40	66619	Display Panel
41	66620	Blower Fixed Plate
42	n/a	Nameplate
43	66621	Auger Motor
44	66622	Silicone Rubber Sealing Ring
45	n/a	Upper Flue Plate
46	66658	Remote (not shown)
47	66659	Accessory Kit
48	66660	Auger Assembly

OPERATING INSTRUCTIONS AND OWNER'S MANUAL

Model #
 PS60W
 PS130W
 PSBF66W

READ INSTRUCTIONS CAREFULLY: Please read this entire manual before installation and use of this pellet fuel-burning room heater. Failure to follow these instructions could result in property damage, bodily injury or even death. Do not allow anyone who has not read these instructions to assemble, light, adjust or operate the stove. Place instructions in a safe place for future reference.



WARNING:

USE ONLY MANUFACTURER'S REPLACEMENT PARTS. USE OF ANY OTHER PARTS COULD CAUSE INJURY OR DEATH. REPLACEMENT PARTS ARE ONLY AVAILABLE DIRECT FROM THE FACTORY AND MUST BE INSTALLED BY A QUALIFIED SERVICE AGENCY.

PARTS ORDERING INFORMATION:

PURCHASING: ACCESSORIES MAY BE PURCHASED AT ANY CLEVELAND IRON WORKS LOCAL DEALER OR DIRECT FROM THE FACTORY

FOR INFORMATION REGARDING SERVICE:

Please call Toll-Free 1-800-251-0001 • CLEVELAND-IRONWORKS.COM

Our office hours are 8:00 AM – 5:00 PM, EST, Monday through Friday.

Please include the model number, date of purchase, and description of problem in all communication.

LIMITED WARRANTY:

Enenco Group, Inc. (EGI) warrants Cleveland Iron Works Wood Pellet Fire Stoves to be free from imperfections in workmanship or material, at the date of manufacture. After installation, If covered components are found to be defective in workmanship or material during the applicable warranty period then the company, at its option, will repair or replace products returned by the buyer to the factory, transportation prepaid within applicable warranty period and found by the company to have imperfections in material or workmanship. The warranty period of the covered components is defined in the table below:

Components Covered	Warranty Period (Parts only, Labor not included)
Electrical	1 years
Steel parts (excluding fire pot)	5 years

If a part is damaged or missing, call our Technical Support Department at 1-800-251-0001.

Address any Warranty Claims to the Service Department, Cleveland Ironworks, Inc., 4560 W. 160TH ST., CLEVELAND, OHIO 44135. Include your name, address and telephone number, the model and serial number of your product, and include details concerning the claim. Also, supply us with the purchase date and the name and address of the dealer from whom you purchased our product.

The foregoing is the full extent of the responsibility of the Company. There are no other warranties, express or implied. Specifically there is no warranty of fitness for a particular purpose and there is no warranty of merchantability. In no event shall the Company be liable for delay caused by imperfections, for consequential damages, or for any charges of the expense of any nature incurred without its written consent. The cost of repair or replacement shall be the exclusive remedy for any breach of warranty. There is no warranty against infringement of the like and no implied warranty arising from course of dealing or usage of trade. This warranty will not apply to any product which has been repaired or altered outside of the factory in any respect which in our judgment affects its condition or operation. This warranty does not cover damage or breakage due to misuse, abuse or modifications. There is no warranty on any paint, glass, gasket or fire brick. There is no warranty on the fire pot. There is no warranty against damage caused by corrosion.

Some states do not allow the exclusion or limitation of incidental or consequential damages, so the above limitation or exclusion may not apply to you. This Warranty gives you specific legal rights, and you may have other rights which vary from state to state.

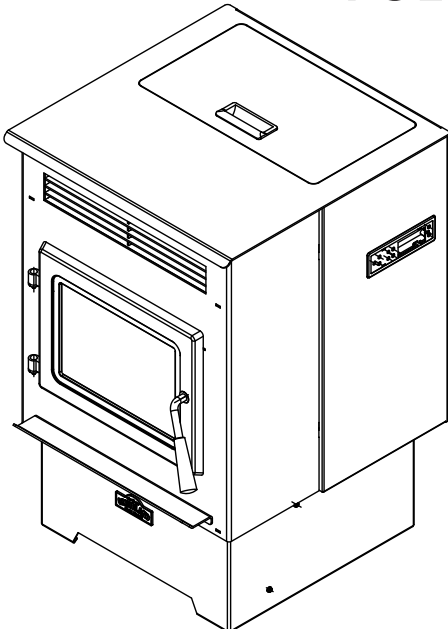
Cleveland Ironworks Inc. reserves the right to make changes at any time, without notice or obligation, in colors, specifications, accessories, materials and models.

INSTALLATEUR : Laisser le présent guide avec l'appareil

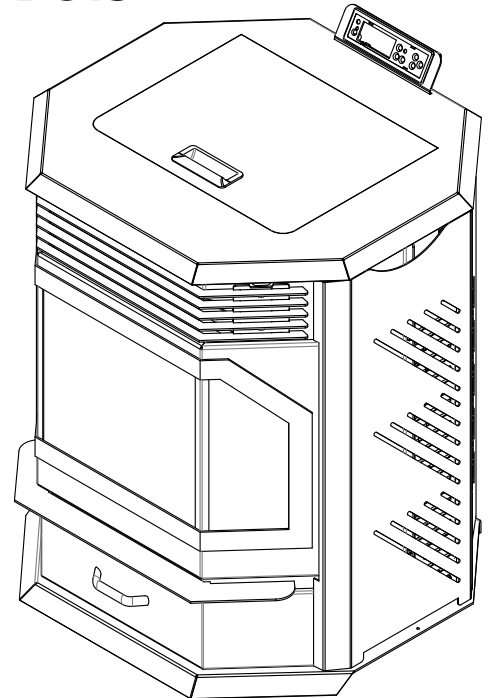
CONSOMMATEUR : Sauvegarder les présentes instructions pour référence future.

<p>SINCE 1957 CLEVELAND IRON WORKS</p>	<h1>GUIDE DU PROPRIÉTAIRE ET INSTRUCTIONS D'UTILISATION</h1>	<p>N° de modèle PS60W PS130W PSBF66W</p>
<p>LIRE LES INSTRUCTIONS ATTENTIVEMENT : Veuillez lire le présent manuel au complet avant d'installer et d'utiliser ce poêle à grenailles de bois. Ne pas suivre les directives comprises pourrait résulter en des dommages matériels ou des blessures graves, voire la mort. Ne pas laisser quiconque qui n'a pas lu les instructions du présent manuel assembler, allumer, régler ou faire fonctionner le poêle. Remiser ce manuel dans un endroit sûr pour référence ultérieure.</p>		

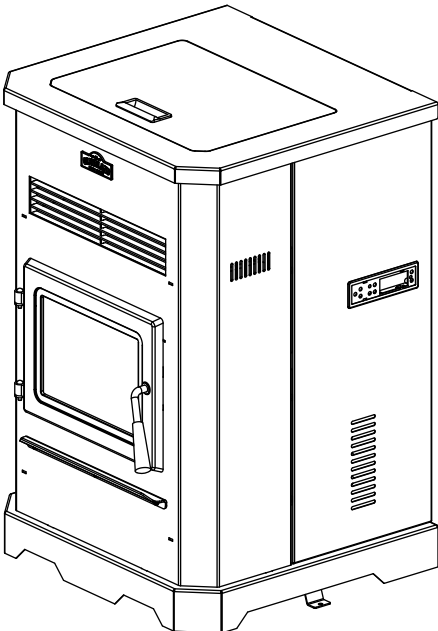
POÊLE À GRENAILLES DE BOIS



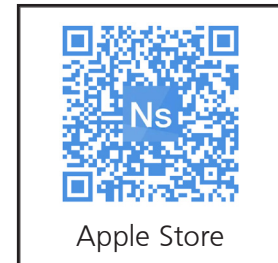
PS60W (F500200)



PSBF66W (F500210)



PS130W (F500205)



Apple Store



Google Play Store

POUR DÉTERMINER VOTRE BESOIN DE PERMIS, CONSULTEZ LES AUTORITÉS AYANT JURIDICTIONS DANS VOTRE LOCALITÉ (AUTORITÉS DE PRÉVENTION DES INCENDIES, SERVICE DE LA CONSTRUCTION MUNICIPAL, ETC.). RESPECTEZ TOUS LES CODES DE LA CONSTRUCTIONS LOCAUX.

Cleveland Ironworks une filiale de Enerco Group Inc.
4560 West 160th st Cleveland, Ohio 44135 1-800-251-0001

AVERTISSEMENTS GÉNÉRAUX DE DANGERS :

- ⚠ NE PAS SE CONFORMER AUX PRÉCAUTIONS ET INSTRUCTIONS FOURNIES PEUT RÉSULTER EN UN DÉCÈS DE PERSONNE OU DES BLESSURES GRAVES ET DES DOMMAGES MATÉRIELS RÉSULTANT DES DANGERS D'INCENDIE, DE DÉFLAGRATION, DE BRÛLURE, D'ASPHYXIATION D'EMPOISONNEMENT AU MONOXYDE DE CARBONE ET/OU DE CHOC ÉLECTRIQUE.
- ⚠ SEULES LES PERSONNES POUVANT COMPRENDRE ET SUIVRE LES INSTRUCTIONS DEVRAIENT UTILISER OU ENTREtenir CE POÊLE.
- ⚠ POUR TOUTE ASSISTANCE, RENSEIGNEMENT OU POUR UN EXEMPLAIRE DU MANUEL D'INSTRUCTION, OU D'ÉTIQUETTES DE REMPLACEMENT, VEUILLEZ COMMUNIQUER AVEC LE FABRICANT.

AVERTISSEMENT :

- ⚠ DANGER D'INCENDIE, DE BRÛLURE, D'ÉMANATIONS ET DE DÉFLAGRATION. GARDER LES MATIÈRES COMBUSTIBLES SOLIDES TEL LES MATÉRIAUX DE CONSTRUCTION, LE CARTON OU LE PAPIER À UNE DISTANCE SÉCURITAIRE DU POÊLE SELON LES RECOMMANDATIONS DU MANUEL, NE JAMAIS UTILISER LE POÊLE DANS UN LIEU AYANT OU QUI A POSSIBILITÉ D'AVOIR DES MATIÈRES VOLATILES EN SUSPENSION DANS L'AIR OU DES PRODUITS COMME L'ESSENCE, DES SOLVANTS, DES DILUANTS À PEINTURE, DE LA POUSSIÈRE OU DES PRODUITS CHIMIQUES INCONNUS.

- ⚠ **AVERTISSEMENT :** Ce produit peut vous exposer à des produits chimiques incluant le plomb et des composés du plomb, reconnus par l'État de la Californie causer le cancer et des défauts congénitaux ou d'autres sévices du système reproducteur. Pour plus d'information visitez www.P65Warnings.ca.gov

Table des matières

SPÉCIFICATIONS	3
PRÉCAUTIONS DE SÉCURITÉ	4
DISTANCES DE DÉGAGEMENT DES MATÉRIAUX COMBUSTIBLES	5
DÉBALLAGE ET ASSEMBLAGE	6
INSTALLATION	6
EXIGENCES SUPPLÉMENTAIRES POUR LES MAISONS MOBILES	10
FONCTIONNEMENT	12
CONNEXION WI-FI « SMART STOVE »	14
COMMANDES WI-FI	15
COMMANDES MULTIFONCTIONS PS60W, PS130W ET PSBF66W	16
ENTRETIEN	17
SCHÉMA DE CÂBLAGE	25
PIÈCES DE SERVICE	26

SPÉCIFICATIONS

N° de modèle	PS60W	PS130W	PSBF66W
DIMENSIONS			
Poids du poêle [kg (lb)]	90 (198)	100 (221)	120 (265)
Dimensions du poêle prof.x larg.x haut. [cm (po)]	59,7 x 55,2 x 84,5 (23,5 x 21,75 x 33,25)	61,0 x 62,2 x 92,7 (24,0 x 24,5 x 36,5)	66,5 x 62,3 x 77,2 (26,2 x 24,5 x 30,4)
Diamètre du tuyau d'entrée d'air [mm (po)]	50 (2)	50 (2)	50 (2)
Diamètre du tuyau de sortie d'air [mm (po)]	80 (3)	80 (3)	80 (3)
Capacité de la trémie de grenailles [kg (lb)]	27,2 (60)	59,0 (130)	29,9 (66)
SPÉCIFICATIONS DE FONCTIONNEMENT			
Carburant	Grenailles de bois	Grenailles de bois	Grenailles de bois
Chauffe approximativement ** [m ² (pi ²)]	139,4 (1 500)	232,3 (2 500)	167,2 (1 800)
Monoxyde de carbone produit (g/min)	Sur réglage élevé : 0,100 Sur réglage bas : 0,033	Sur réglage élevé : 0,160 Sur réglage bas : 0,053	Sur réglage élevé : 0,118 Sur réglage bas : 0,020
Taux de consommation de grenailles sur réglage bas [kg/h (lb/h)]	0,64 (1,41)	0,95 (2,09)	0,48 (1,06)
Taux de consommation de grenailles sur réglage moyen [kg/h (lb/h)]	0,84 (1,85)	1,22 (2,69)	1,38 (3,04)
Taux de consommation de grenailles sur réglage élevé [kg/h (lb/h)]	1,82 (4,01)	2,47 (5,45)	2,64 (5,82)
Durée du mode automatique [minimum d'heures (maximum d'heures)]	15,0 (42,5)	23,9 (62,2)	11,3 (62,3)
Rendement du poêle	82,3 %	75,8 %	82,2 %
Taux de sortie bas (BTU/HR)	9,265	13,535	7,420
Taux de sortie moyen (BTU/HR)	12,297	16,714	13,421
Taux de sortie élevé (BTU/HR)	26,865	34,129	40,259
SPÉCIFICATIONS ÉLECTRIQUES			
Exigences d'alimentation électrique (Tension/Fréquence/Phase)	120 V / 60 Hz / 1	120 V / 60 Hz / 1	120 V / 60 Hz / 1
Courant électrique durant la phase d'allumage (Ampères)	3,3	3,3	3,3
Vitesse de rotation du moteur de la tarière (t/min)	2,4	2,4	2,4

Le présent manuel décrit la procédure d'installation et de fonctionnement des poêles à grenailles de bois Cleveland Ironworks. Votre poêle est conforme aux limites d'émission de l'EPA (Environmental Protection Agency) des États-Unis pour les poêles à grenailles fabriqués après l'année 2020.

* L'énergie (BTU) de sortie variera selon la marque du combustible utilisé.

** Selon la zone climatique. Les différences de climat et la localisation affectent les attributs comme le rendement du poêle et la production de monoxyde e carbone.

PRÉCAUTIONS DE SÉCURITÉ

ÉTABLISSEZ UNE RÉACTION DE SURVIE EN CAS D'INCENDIE. COMMUNIQUEZ AVEC LE SERVICE D'INCENDIE LOCAL POUR OBTENIR DES RENSEIGNEMENTS ET UNE PROCÉDURE D'ACTION À PRENDRE EN CAS DE FEU DE CHEMINÉE.

⚠ AVERTISSEMENT : NE PAS LOCALISER DANS LES CHAMBRES À COUCHER.

⚠ ATTENTION : MANIPULER LE POÊLE AVEC SOIN. ÉVITER DE LE SOUMETTRE À DES CHOCs OU DE L'ÉGRATIGNER ET DE FERMER BRUSQUEMENT LES PORTES VITRÉES. NE PAS FAIRE FONCTIONNER AVEC UNE OU DES VITRES ÉGRATIGNÉES, FISSURÉES OU BRISÉES.

⚠ AVERTISSEMENT : BRÛLANT DURANT LE FONCTIONNEMENT. GARDER LES ENFANTS, LES VÊTEMENTS ET L'AMEUBLEMENT ÉLOIGNÉS. LE CONTACT POURRAIT CAUSER DES BRÛLURES.

⚠ AVERTISSEMENT : NE JAMAIS LAISSER D'ENFANT SANS SURVEILLANCE DANS UNE PIÈCE COMPRENANT UN POÊLE EN FONCTIONNEMENT.

⚠ AVERTISSEMENT : NE PAS CHAUFFER À BLOC. CHAUFFER LE POÊLE DE FAÇON EXCESSIVE POURRAIT CAUSER UN INCENDIE. SI L'UNITÉ OU LE RACCORD DE CHEMINÉE ROUGIT C'EST QUE LE POÊLE EST CHAUFFÉ DE FAÇON EXCESSIVE.

⚠ AVERTISSEMENT : CE POÊLE À BOIS A UN TAUX D'ALIMENTATION MINIMUM RÉGLÉ PAR LE FABRICANT QUI NE DOIT PAS ÊTRE MODIFIÉ. IL EST CONTRAIRE À LA RÉGLEMENTATION FÉDÉRALE DE RÉGLER OU DE FAIRE FONCTIONNER CE POÊLE DE FAÇON NON CONFORME AUX INSTRUCTIONS DE FONCTIONNEMENT COMPRIS DANS CE GUIDE DU PROPRIÉTAIRE.

MONOXYDE DE CARBONE

AVERTISSEMENT :

⚠ SI UTILISÉ SANS COMBUSTIBLE ET AÉRATION ADÉQUATS, CE POÊLE PEUT PRODUIRE UN EXCÈS DE MONOXYDE DE CARBONE, UN GAZ MORTEL SANS ODEUR.

AVERTISSEMENT :

⚠ DES SIGNES AVANT-COUREURS D'EMPOISONNEMENT AU MONOXYDE DE CARBONE SONT UNE RESSEMBLANCE AUX SYMPTÔMES DE LA GRIPPE AVEC CÉPHALÉES, ÉTOURDISSEMENTS ET/OU NAUSÉES. SI VOUS SOUFFREZ DE CES SYMPTÔMES, LE POÊLE POURRAIT EN ÊTRE LA CAUSE EN RAISON DE MAUVAIS FONCTIONNEMENT. OBTENEZ DE L'AIR FRAIS À RESPIRER SUR LE CHAMP! FAITES UN ENTRETIEN DU POÊLE.

CERTAINES PERSONNES - FEMMES ENCEINTES, PERSONNES SOUFFRANT DE PROBLÈMES CARDIAQUES OU DE MALADIES, D'ANÉMIE, CELLES EN ÉTAT D'ÉBRIÉTÉ OU PERSONNES SE TROUVANT EN RÉGION MONTAGNEUSE TRÈS ÉLEVÉE - SONT PLUS SUJETTES À ÊTRE AFFECTÉES PAR LE MONOXYDE DE CARBONE QUE LES AUTRES PERSONNES.

Peu importe le niveau de sécurité intrinsèque de ce poêle, tous les appareils consommant un carburant créent du monoxyde de carbone. Il est toujours bon de prévenir autant que possible les dangers pouvant vous affecter ainsi que votre entourage en installant un détecteur de monoxyde de carbone. Il est recommandé d'installer un détecteur dans les aires susceptibles de générer du monoxyde de carbone comme là où se trouve un poêle ou l'aire d'entreposage des grenailles ou bien les hangars chauffés par système hydronique. Suivez les instructions de montage, de fonctionnement et d'entretien fournies par le fabricant de votre détecteur.

DÉTECTEURS DE FUMÉE

Installez au moins 1 détecteur de fumée à chaque niveau de votre demeure. Suivez les instructions de montage, de fonctionnement et d'entretien fournies par le fabricant de votre détecteur. Évitez les fausses alarmes en plaçant le détecteur hors de l'emplacement immédiat du poêle. Généralement, un bon endroit pour installer les détecteurs de fumée est près des chambres à coucher.

POUR PLUS D'INFORMATION DE SÉCURITÉ

Pour des renseignements supplémentaires concernant la sécurité de fonctionnement des poêles à grenailles de bois, communiquez avec la NFPA (National Fire Protection Association), par la poste, à :

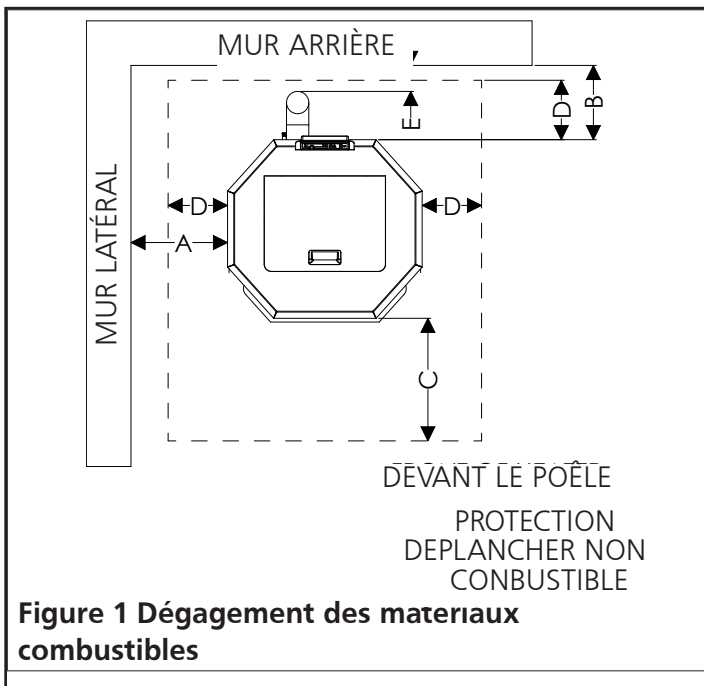
NFPA, Batterymarch Park, Quincy, MA 02269, U.S.A.

ou visitez le site Web de la NFPA :

<https://www.nfpa.org/>

DISTANCES DE DÉGAGEMENT DES MATÉRIAUX COMBUSTIBLES

Les distances de dégagement indiquées ci-dessous représentent les dégagements minimum entre le poêle et tout autre objet. Aucun objet ne devrait se trouver dans cet espace. Ceux-ci comprennent, sans s'y limiter, les tapis, meubles, enfants, animaux domestiques, vêtements, carburant ou tout autre objet. Ces distances ne pourront seulement être réduites que par les autorités ayant juridiction.



	ÉTATS-UNIS	CANADA
A	330 mm (13 po)	330 mm (13 po)
B	51 mm (2 po)	51 mm (2 po)
C	457 mm (18 po)	457 mm (18 po)
D	203 mm (8 po)	203 mm (8 po)
E	76 mm (3 po)	76 mm (3 po)

SUPERFICIE DE PLANCHER ET DÉGAGEMENTS

Lorsqu'installé sur un plancher combustible, une protection non combustible est requise pour :

- Couvrir l'aire sous le poêle en se prolongeant d'au moins 457 mm (18 po) sur le devant;
- Couvrir la surface sur les côtés du poêle sur au moins 203 mm (8 po);
- Couvrir l'aire sous le tuyau d'échappement en excédant cette aire par une couverture de 51 mm (2 po) sur les côtés.

De plus, le poêle à grenailles de bois devra être positionné de sorte :

- Qu'il y ait un dégagement minimum de 330 mm (13 po) de chaque côté de l'appareil.
- Qu'il y ait un dégagement minimum de 51 mm (2 po) à l'arrière de l'appareil.
- Que le tuyau d'échappement vertical soit dégagé d'au moins 76 mm (3 po) de tout mur.

Finalement, l'a pièce dans laquelle le poêle à grenailles de bois est installé devra avoir une hauteur de plafond d'au moins 2 134 mm (84 po)

MATÉRIAUX DE REVÊTEMENT DE SOL

La protection de plancher devra avoir toutes les caractéristiques suivantes :

- Enregistrement UL-1618
- Au moins 13 mm (0,5 po) d'épaisseur
- Faite de matériau non combustible
- Avoir soit :
 - Une valeur de résistance thermique R de $1,19 \frac{(\text{pi}^2)(\text{h})(^\circ\text{F})}{\text{Btu}}$
 - Une valeur de conductivité thermique k de $0,84 \frac{(\text{Btu})(\text{po})}{(\text{pi}^2)(\text{h})(^\circ\text{F})}$

Comme assistance pour évaluer l'acceptabilité de matériaux substitués, les équivalences de spécifications et exemples ci-dessous vous sont fournis.

$$\text{Conductivité thermique } k = \frac{\text{épaisseur}}{R} \left(\frac{\text{Btu}}{(\text{pi}^2)(\text{h})(^\circ\text{F})} \right) \text{ ou } \frac{\text{W}}{(\text{m})(^\circ\text{K})}$$

$$\text{Conductance thermique } C = \frac{1}{R} \left(\frac{\text{Btu}}{(\text{pi}^2)(\text{h})(^\circ\text{F})} \right) \text{ ou } \frac{\text{W}}{(\text{m}^2)(^\circ\text{K})}$$

Exemple : Requis pour protéger le plancher avec une valeur R de $1,19 \frac{(\text{pi}^2)(\text{h})(^\circ\text{F})}{\text{Btu}}$.

Évaluation du mérite de briques de 57 mm (2 po) d'épaisseur de conductivité thermique k de $4,16 \frac{(\text{Btu})(\text{po})}{(\text{pi}^2)(\text{h})(^\circ\text{F})}$ sur une couche de panneau minéralisé de 6,3 mm (po) ayant une valeur C de $2,3 \frac{(\text{Btu})}{(\text{pi}^2)(\text{h})(^\circ\text{F})}$.

Étape 1. Calculez la valeur R de chaque matériau du plancher

$$R_{\text{BRIQUE}} = \frac{\text{épaisseur}}{k} = \frac{2,25}{4,16} = 0,54$$

$$R_{\text{Panneau}} = \frac{1}{C} = \frac{1}{2,3} = 0,434$$

Étape 2. Ajoutez les valeurs R équivalentes pour chaque matériau du plancher

$$R_{\text{BRIQUE}} + R_{\text{Panneau}} = 0,54 + 0,434 = 0,974$$

Étape 3. Cette valeur R combinée est **insuffisante** donc plus de protection doit être installé. Par exemple, en plaçant deux couches de briques :

$$R_{\text{BRIQUE}} + R_{\text{BRIQUE}} + R_{\text{Panneau}} = 0,54 + 0,54 + 0,434 = 1,514$$

Étape 4. Puisque cette valeur R combinée est plus grande que la spécification requise, ce montage sera suffisant pour protéger le plancher sous le poêle.

DÉBALLAGE ET ASSEMBLAGE

1. Sortir le poêle du carton d'emballage.
2. Retirer tout le matériel protecteur placé sur le poêle pour l'expédition.
3. Inspecter le poêle pour détecter tout dommage d'expédition. Si des dommages sont détectés, appelez le fabricant sur le champ-au 1-800-251-0001.

⚠ ATTENTION : TOUTE PIÈCE ENDOMMAGÉE POURRAIT COMPROMETTRE LE FONCTIONNEMENT SÉCURITAIRE.

- NE PAS INSTALLER DES COMPOSANTS INCOMPLETS.
- NE PAS INSTALLER DES COMPOSANTS SUBSTITUÉS.
- NE PAS INSTALLER DES COMPOSANTS ENDOMMAGÉS.

4. Pour assurer la sécurité de certaines pièces délicates, celles-ci sont emballées séparément. Veuillez les localiser, vraisemblablement à l'intérieur de l'appareil pour procéder à leur assemblage.

Cordon d'alimentation électrique

Le cordon d'alimentation se branche dans la prise à l'arrière du poêle. Après tout assemblage requis du panneau d'affichage (modèle PSBF66W seulement), vous pouvez brancher votre poêle temporairement pour vous assurer du fonctionnement de l'afficheur avant de continuer l'installation. Après avoir confirmé le fonctionnement de l'afficheur, débranchez le cordon électrique.

⚠ ATTENTION : NE PAS LAISSER LE POÊLE BRANCHÉ DANS LA PRISE ÉLECTRIQUE DURANT L'ASSEMBLAGE OU LE MONTAGE.

Pot de combustion

En l'absence de toute alimentation électrique, le pot de combustion devrait être inséré adéquatement dans le poêle pour que l'allumeur puisse entrer en contact avec les grenailles. Voir figure 2 ou 3.

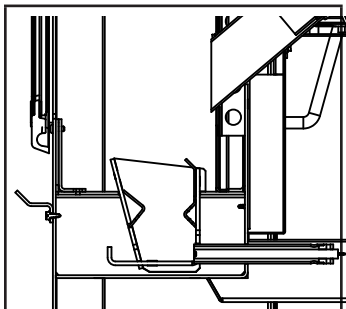


Figure 2 Pot de combustion PS60W et PS130W

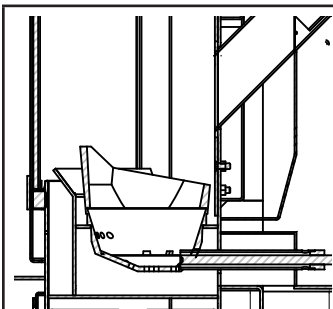


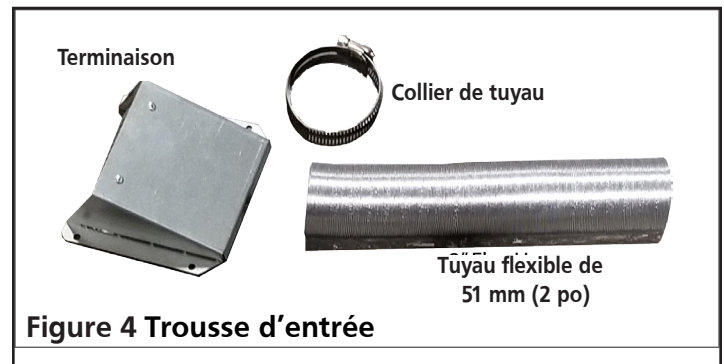
Figure 3 Pot de combustion PSBF66W

Une trousse de nettoyage est également emballée, ce qui facilitera le nettoyage de débris des perforations du pot.

Trousse d'entrée d'air

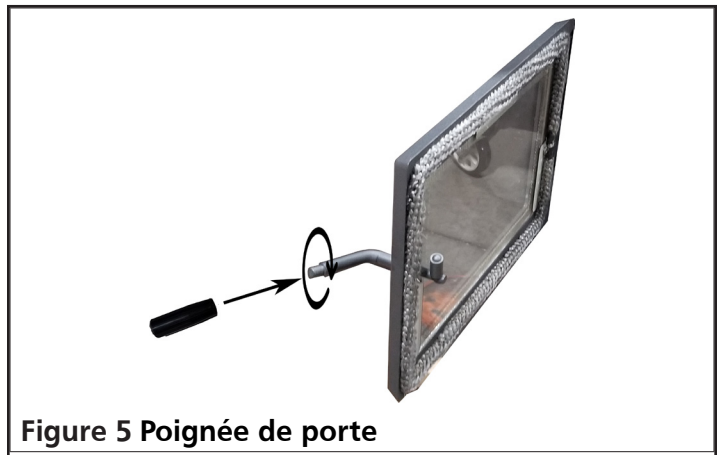
Localisez la trousse d'entrée d'air expédiée avec le poêle. Voir Figure 4. Mesurez votre pièce et planifiez l'installation de l'évent horizontal pouvant être requis selon

les recommandations indiquées dans «FRESH AIR AND VENTILATION REQUIREMENTS 2» on page 7. Respectez toutes les exigences d'aération et suivez les directives indiquées dans «INSTALLATION 1» on page 7.



Assemblage supplémentaire PS60W, PS130W

- Poignée de porte : ouvrez la porte et vissez l'emprise plastifiée dans les filets de la poignée.



Assemblage supplémentaire PSBF66W

- Panneau d'affichage : insérer le panneau d'affichage à l'arrière du dessus du poêle. Assurez-vous de sa bonne orientation pour lecture à partir du devant du poêle. Fixez l'afficheur à l'aide des deux vis fournies.
- Câble d'alimentation de l'afficheur : ce câble devrait être enroulé sous le couvercle du poêle. Insérez l'extrémité libre dans le dos du panneau d'affichage (voir figure 16 à la page 14). Ce câble devrait déjà être connecté à la carte d'alimentation du poêle. Vous pouvez vérifier cette connexion derrière la plaque d'accès à l'arrière du poêle.

INSTALLATION

⚠ AVERTISSEMENT : SI CE POÊLE N'EST PAS BIEN INSTALLÉ, IL POURRAIT EN RÉSULTER UN INCENDIE DE DOMICILE. POUR MINIMISER LE DANGER D'INCENDIE, SUIVRE LES DIRECTIVES D'INSTALLATION. CONTACTER LES AUTORITÉS DU CODE DE LA CONSTRUCTION OU LE SERVICE D'INCENDIE POUR CONNAÎTRE LES RESTRICTIONS ET LES INSPECTIONS D'APPROBATION REQUISES DANS VOTRE RÉGION.

⚠ ATTENTION : TOUT ÉCART OU MODIFICATION DE CES DIRECTIVES POURRAIT RÉSULTER EN DES BLESSURES OU DES DOMMAGES AU POÊLE, À LA CHEMINÉE ET À VOTRE DEMEURE. LA GARANTIE POURRAIT ÊTRE ANNULÉE. LIRE ET SUIVRE TOUTES LES INSTRUCTIONS. Pour toute préoccupation, question ou commentaire, communiquez avec Cleveland Iron Works.

⚠ ATTENTION : CONTACTER LES AUTORITÉS DU CODE DE LA CONSTRUCTION OU LE SERVICE D'INCENDIE POUR CONNAÎTRE LES RESTRICTIONS ET LES INSPECTIONS D'APPROBATION REQUISES DANS VOTRE RÉGION.

INFORMATION DE CONTACT

Pour toute question concernant les options de ventilation de votre poêle, veuillez contacter soit :

Le fabricant Cleveland Ironworks Company à 1-800-251-0001
• CLEVELAND-IRONWORKS.COM Nos heures de bureau sont de 8:00 h à 17:00 h, HNE, du lundi au vendredi..

NFPA (National Fire Protection Association) et demander un exemplaire de la dernière édition de la publication NFPA Standard 211. L'adresse postale de la NFPA est Batterymarch Park, Quincy, MA 02269 U.S.A.

PLANIFICATION

Assurez-vous que vous avez sélectionné le bon poêle pour vos besoins en consultant le tableau de spécifications à la page 3.

Prenez les mesures de vos quartiers et planifiez votre système de cheminée selon les instructions détaillées ci-dessous.

Ce poêle à grenailles peut être installé dans une maison mobile. En plus des instructions ci-dessous, passez en revue et respectez les exigences obligatoires à la page 10.

CONSIDÉRATIONS ÉLECTRIQUES

Une prise électrique devra être disponible à environ 2 m (6,5 pi) sur le mur derrière le poêle. Placer le cordon d'alimentation de façon qu'il ne vienne en contact avec la surface du poêle.

OUTILS REQUIS (NON FOURNIS)

- Lunettes de sécurité
- Gants
- Ruban à mesurer
- Tournevis Phillips (manuel ou électrique).
- Localisateur de montants
- Fil à plomb
- Scie sauteuse
- Silicone résistant aux hautes températures
- Un assistant (le poêle est lourd, ne tentez pas de le déplacer par vous-même)

PIÈCES ET MATÉRIAUX REQUIS (NON FOURNIS)

- Protection de plancher (voir SUPERFICIE DE PLANCHER et MATÉRIAUX DE REVÊTEMENT DE SOL on page 5)
- Tuyau d'évent de 80 mm (3 po) de diamètre de

type « L » ou « PL » portant les sceaux d'enregistrement UL 641, ULC S609 (Norme « Standard for 650 C Factory-Built Chimneys »), ou ULC/ORD C441. Installer selon les instructions du fabricant de cheminée.

EXIGENCES D'AIR FRAIS ET D'AÉRATION

Lorsque vous décidez de la localisation du poêle, assurez-vous que l'aire sera toujours approvisionnée d'air frais. Un manque d'air pourrait appauvrir tous les appareils à combustion de vos quartiers et possiblement causer une condition dangereuse. L'approvisionnement d'air de combustion de l'extérieur pourrait être nécessaire pour garantir que les appareils à combustion ne créent pas d'émanations dangereuses à l'intérieur. Le guide pour déterminer le besoin d'air de combustion supplémentaire pourrait ne pas être exact dans toutes les situations. En cas de doute, nous conseillons d'amener un approvisionnement d'air supplémentaire. De l'air de combustion extérieur pourrait être requis si les indications ci-dessous, ou d'autres indications, suggèrent que l'apport d'air est insuffisant :

- Le poêle à grenailles de bois n'aspire pas de façon constante et produit des bouffées de fumée, les grenailles ne brûlent pas facilement et le tirage de la cheminée s'inverse lors de combustion ou non.
- Autre équipement de combustion dans la maison, tel un foyer ouvert ou autre appareil de combustion dégageant odeur de combustion ou ne fonctionnant pas adéquatement, dégage de la fumée dans la pièce lorsqu'ouvert pour chargement ou soumis à un tirage inverse de cheminée lors de combustion ou non.
- Si n'importe lequel des symptômes ci-dessus se redresse lors de journées non venteuses ou en ouvrant une fenêtre légèrement.
- La maison est très étanche avec pare-vapeur et fenêtres bien scellées ou possède des dispositifs d'expulsion d'air intérieur.
- Une condensation excessive se produit dans les fenêtres en hiver.
- Un système d'aération est installé sur la maison.

De l'air de combustion supplémentaire pourrait être approvisionné au poêle à grenailles de bois directement de l'extérieur par l'entremise de la trousse d'entrée d'air comprise pour se connecter à l'entrée d'air en bas à l'arrière du poêle. Toute installation de la sorte devra satisfaire la Clause 4 de la norme B365 de la CSA.

⚠ ATTENTION : NE JAMAIS ASPIRER D'AIR DE COMBUSTION DU :

- PLÉNUM D'AIR DES MURS, DU PLANCHER ET DU PLAFOND.
- D'UN ESPACE CLOS TEL UN GRENIER, UN VIDE SANITAIRE OU UN GARAGE.

⚠ ATTENTION : SI UN TUYAU D'ENTRÉE D'AIR EST RACCORDÉ, ALORS LE POÊLE DEVRA ÊTRE FIXÉ À LA STRUCTURE DE LA MAISON.

EXIGENCES ET ASSEMBLAGE DES RACCORDS

⚠ ATTENTION : LE TUYAU DE RACCORDEMENT DE CHEMINÉE NE DOIT PAS TRAVERSER LE GRENIER OU LE TOIT, OU TOUT GARDE-ROBE OU ARMOIRE (OU AUTRE ESPACE CLOS) NI LE PLANCHER OU LE PLAFOND. POUR LE RACCORDEMENT D'APPAREILS DE CHAUFFAGE À COMBUSTIBLE SOLIDE À TRAVERS UN MUR OU PARTITION DE MATÉRIAU COMBUSTIBLE, L'INSTALLATION DEVRA ÊTRE CONFORME À LA NORME CAN/CSA-B365.

Tous les tuyaux et coudes devraient être installés avec l'extrémité à sertir vers le poêle (et non vers la sortie de la cheminée) et devraient être fixés avec trois vis à métal réparties également sur la circonférence.

Les raccords, coudes et sections de cheminée devraient être de type « L » ou « PL » et de diamètre de 80 mm (3 po) puisque le système d'aspiration est basé sur une pression négative dans la chambre à combustion et une légère surpression à la sortie des gaz. Il sera donc important que le raccordement de la tuyauterie soit bien ajusté et scellé.

Nous recommandons que la tuyauterie des raccords, des coudes et de la cheminée soient de type B pour aération à double paroi et de calibre minimum n°24.

Veuillez noter que les coudes dans le système d'échappement réduisent le débit d'air, diminuant la performance et qu'ils offrent un point d'accumulation de dépôts de cendre nécessitant un nettoyage plus fréquent.

⚠ ATTENTION : LES JONCTIONS DE TOUS LES TUYAUX DE RACCORDEMENT DE SYSTÈME D'AÉRATION (CANALISATION OPTIONNELLE D'ENTRÉE D'AIR OU ÉCHAPPEMENT DE COMBUSTION) DEVRONT ÊTRE SCÉLLÉES À L'AIDE DE SILICONE RÉSISTANT AUX TEMPÉRATURES ÉLEVÉES.

EXIGENCES GÉNÉRALES D'AÉRATION

⚠ ATTENTION : NE RACCORDER À AUCUNE CANALISATION OU SYSTÈME DE DISTRIBUTION D'AIR.

⚠ ATTENTION : NE PAS RACCORDER CETTE UNITÉ À UNE CHEMINÉE CONNECTÉE À UN AUTRE APPAREIL.

⚠ ATTENTION : NE PAS INSTALLER DE REGISTRE DE TIRAGE À CLAPET DANS LE TUYAU D'ÉCHAPPEMENT DE CE POÊLE À GRENAILLES DE BOIS.

Ce poêle à grenailles de bois doit être connecté à une cheminée portant l'une ou l'autre des homologations suivantes :

- Enregistrement de classe A conforme aux exigences du type HT de la norme UL 103 (Standard for Chimneys, Factory-Built, Residential Type and Building Heating Appliance)
- Cheminée de maçonnerie certifiée ICBO (International

Conference of Building Officials) pour les poêles à combustible solide.

CAPUCHON D'ÉVENT

- Installer l'évent d'échappement en respectant les distances de dégagement spécifiées par le fabricant.
- Installer le capuchon d'évent d'échappement en respectant les distances de dégagement spécifiées par le fabricant.
- Si vous utilisez la trousse d'entrée d'air, assurez-vous qu'il y ait au moins 30 cm (12 po) de dégagement entre le capuchon d'évent et la bouche d'entrée d'air.
- Il est aussi recommandé de garder au moins 30 cm (12 po) de dégagement entre la sortie d'évent et les fenêtres, portes ou coins de murs extérieurs.
- Les endroits traversés vers l'extérieur par la cheminée ou d'autres composants devront être scellés à la silicone.
- Pour confirmer que toutes les exigences sont respectées, se référer aux codes locaux.

Les cheminées verticales devront répondre aux exigences minimales suivantes :

- Longueur minimum de 4,6 m (15 pi) mesuré du dessus du poêle jusqu'au dessus du capuchon de la cheminée.
- Si le faite du toit se trouve à une distance verticale de moins de 305 cm (10 pi) du point de sortie de la cheminée, le dessus de son capuchon devra dépasser le plus haut point du toit de d'au moins 61 cm (2 pi).
- La longueur de la cheminée dépassant le toit doit être d'un minimum de 91 cm (3 pi).

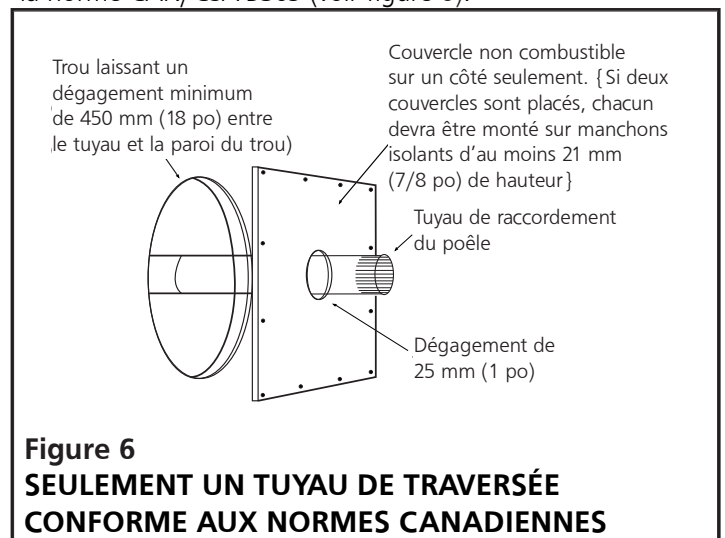
Les cheminées horizontales devront répondre aux exigences minimales suivantes :

- Être à une hauteur d'au moins 30 cm (12 po) au dessus du sol ou autres obstructions (patio, balcon, véranda ou bosquet de végétation).

TRAVERSÉE DE MUR

Lorsque le passage à travers un mur ou une partition de matériau inflammable est requis, le montage devra se conformer aux directives du fabricant.

REMARQUE : Au Canada, l'installation devra être conforme à la norme CAN/CSA-B365 (voir figure 6).



TECHNIQUES DE TRAVERSÉE DE MUR APPROUVÉES NFPA 211 (É-U SEULEMENT)

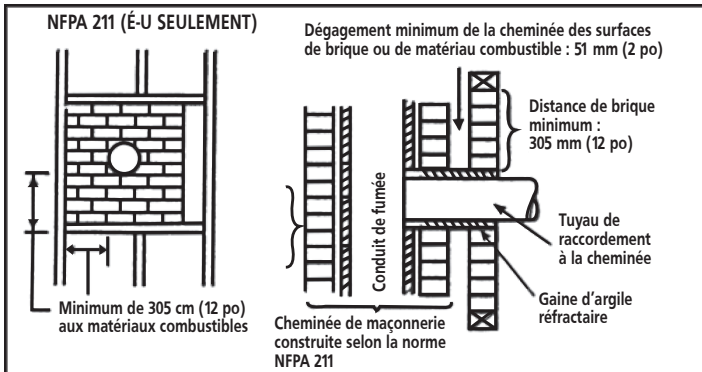


Figure 7 (É-U SEULEMENT)

Maçonnerie de brique : Maçonnerie de briques de 89 mm (3,5 po) d'épaisseur compris dans un mur de matériau combustible avec une séparation de brique d'un minimum de 305 cm (12 po) de la gaine d'argile aux matériaux combustibles. La gaine d'argile réfractaire devra couvrir l'étendue entre la surface extérieure du mur de brique jusqu'à atteindre la surface intérieure du conduit de cheminée, sans y pénétrer, et devra être bien cimentée en place.

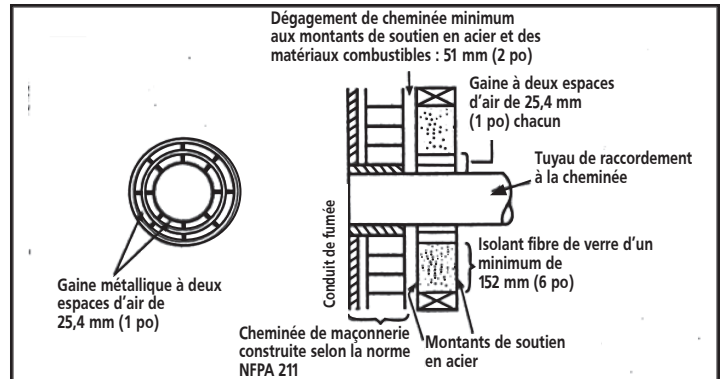


Figure 9 (É-U SEULEMENT)

Gaine à espaces d'air : Tuyau de raccordement à la cheminée d'épaisseur minimale de calibre n° 24 avec gaine métallique de calibre minimal n° 24 à deux espaces d'air de 25,4 mm (1 po) isolée des matériaux combustibles par au moins 152 mm (6 po) de fibre de verre. L'ouverture devra être recouverte et la gaine supportée par des montants d'acier de calibre minimum n° 24.

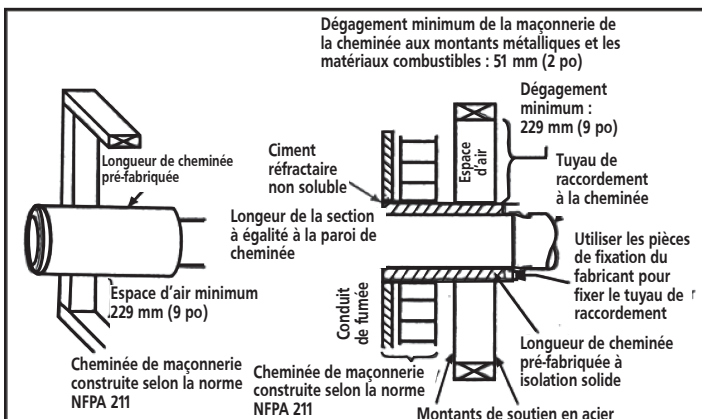


Figure 8 (É-U SEULEMENT)

Manchon isolé : Longueur de cheminée pré-fabriquée avec isolant solide de diamètre interne identique au raccord de sortie du poêle et 25,4 mm (1 po) ou plus d'isolant montée avec un minimum de 229 mm (9 po) d'espace d'air entre la paroi extérieure de celle-ci et des matériaux combustibles.

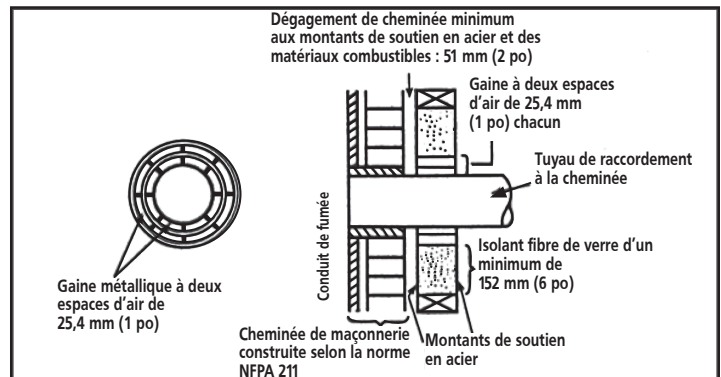


Figure 10 (É-U SEULEMENT)

Section de cheminée comme traversée : Longueur de cheminée pré-fabriquée à isolation solide d'au moins 25,4 mm (1 po) d'épaisseur ayant un diamètre intérieur 51 mm (2 po) plus grand que le tuyau de raccordement de tôle de calibre minimum n° 24 et dont tout matériau combustible se trouve à au moins 51 mm (2 po) de la paroi extérieure de la section de cheminée. La longueur minimale de la section de cheminée devra être de 305 mm (12 po) supportée par des montants métalliques à une hauteur laissant 25,4 mm (1 po) de dégagement autour du tuyau de raccordement. L'ouverture devra être recouverte et la section de cheminée supportée et fixée à deux montants d'acier de calibre minimum n° 24. La quincaillerie de fixation de la section de cheminée ne doit pas perforer sa paroi interne.

EXIGENCES SUPPLÉMENTAIRES POUR MAISONS MOBILES

⚠ AVERTISSEMENT : NE PAS LOCALISER DANS LES CHAMBRES À COUCHER.

PIÈCES ET MATÉRIAUX REQUIS (NON FOURNIS)

- Une cheminée de diamètre de 80 mm (3 po) conforme à la norme UL-103 (Standard for Factory-Built Chimneys for Residential Type and Building Heating Appliances).
- Gaine aérée de plafond adéquate pour utilisation dans les maisons mobiles.
- Gaine aérée de toit adéquate pour utilisation dans les maisons mobiles.
- Parafoudre adéquat pour utilisation dans les maisons mobiles.
- Solin de toit adéquat pour utilisation sur les maisons mobiles.

EXIGENCES D'INSTALLATION SUPPLÉMENTAIRES

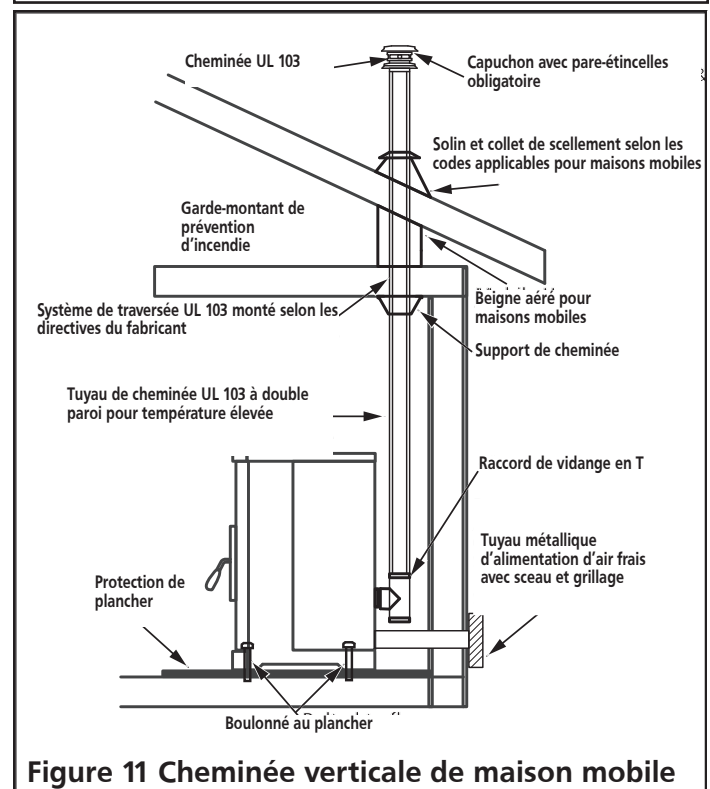
- La cheminée devra être directement attachée à l'appareil de chauffage et devra dépasser le toit traversé d'au moins 0,9 m (3 pi).
- Le dessus de la cheminée devra dépasser d'au moins 0,6 m (2 pi) tout objet élevé dans un rayon de 3 m (10 pi) de la cheminée.
- Les sections d'extrémité de la cheminée devront pouvoir être démontées jusqu'à une hauteur de 4,1 m (13,5 pi) au-dessus du sol sans nécessiter d'équipement particulier.
- Le montage de la cheminée devra être sécurisé par une fixation mécanique au support du toit et du plafond.
- Exigences de gardes protectrices de cheminée :
 - Lorsque la cheminée sort de la maison mobile à un endroit autre qu'à travers le toit à une hauteur de moins de 2,1 m (7 pi) au-dessus du sol, une garde protectrice entourant la cheminée devra être installée sur toute la longueur de la cheminée en-dessous de 2,1 m (7,pi).
 - La garde protectrice ne devra pas comporter d'ouverture pouvant laisser pénétrer tout objet de diamètre de 19 mm (3/4 po) ou plus.
 - La garde protectrice ne devra pas comporter d'ouverture pouvant laisser pénétrer tout objet de diamètre de 16 mm (1/2 po) ou moins à plus de 102 mm (4 po) à l'intérieur.
- Le poêle doit être monté sur un plancher à niveau pouvant supporter son poids.
- Le poêle devra être boulonné à la surface au niveau de façon permanente pour ne pas qu'il puisse être déplacé, être basculé ou placé de façon

compromettant une aération adéquate.

- Une canalisation permanente d'admission d'air frais pour entretenir la combustion devra être installée en répondant aux exigences suivantes :
 - La canalisation devra être totalement métallique sans comporter d'autre matériau tel le plastique.
 - Son extrémité devra posséder un grillage prévenant la vermine de s'y infiltrer.
 - La bouche d'entrée devra être libre en tout temps de feuilles, neige, glace ou autre débris pouvant restreindre l'alimentation d'air pour un fonctionnement adéquat de l'appareil.
- Les jonctions de tous les tuyaux de raccordement des deux systèmes d'aération (l'entrée et l'évacuation d'air) devront être scellées à l'aide de silicone résistant aux températures élevées.
- La cheminée devra être conforme à tous les codes applicables et exigences des autorités ayant juridiction.
- Si la maison mobile doit être déplacée, la cheminée devra être déposée et reposée selon les codes locaux à sa destination.

Le système du conduit de fumée est basé sur une pression négative dans la chambre à combustion et une légère surpression à la sortie des gaz. Il sera donc important que le raccordement de la tuyauterie soit bien ajusté et scellé.

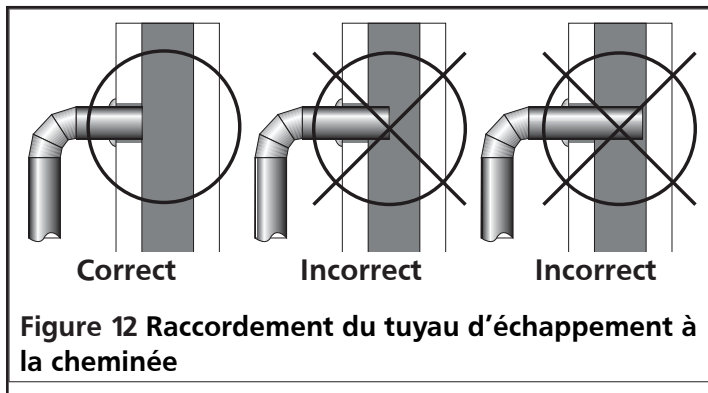
⚠ ATTENTION : L'INTÉGRITÉ STRUCTURELLE DU PLANCHER, DES MURS, DU PLAFOND ET DU TOIT DEVRA ÊTRE MAINTENUE.



INSTRUCTIONS ET SCHÉMA DE CHEMINÉE DE MAÇONNERIE AVEC CONDUIT DE FUMÉE

Ce poêle est conçu pour une évacuation par une cheminée de maçonnerie conforme au code du bâtiment et code des incendies locaux ainsi qu'aux dernières éditions des normes NFPA 211 aux États-Unis ou CSA-B365 au Canada.

1. Si la tuyauterie de raccordement du poêle à la cheminée de maçonnerie est faite à travers un mur de matériau combustible, consultez un maçon qualifié ou un dépositaire de cheminée pour des conseils. Pour garantir la sécurité de l'installation, celle-ci devrait seulement être faite par un installateur qualifié. L'installation devra être faite en conformité aux règlements établis et aux codes du bâtiment et des incendies locaux.
2. Le tuyau de raccordement à la cheminée ne devra pas causer obstruction à l'intérieur du conduit de fumée comme montré à la figure 12 ci-dessous.



3. Toute ouverture à la base de la cheminée devra être fermée de façon étanche.

INSTRUCTIONS ET SCHÉMA DE CHEMINÉE PRÉFABRIQUÉE

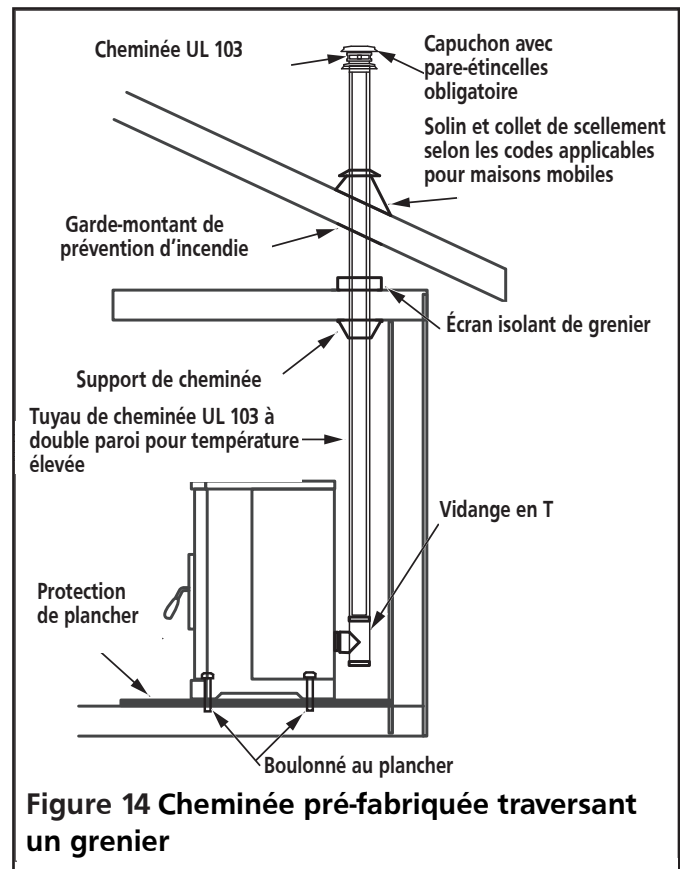
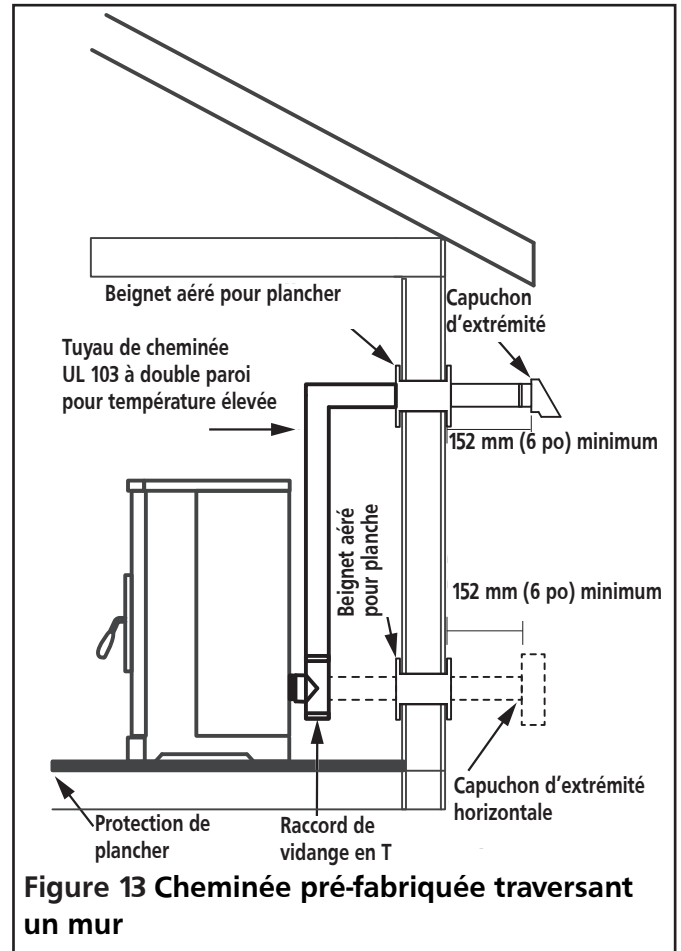
⚠ AVERTISSEMENT : NE PAS SE SERVIR D'UN TUYAU DE POÊLE À PAROI UNIQUE COMME CHEMINÉE.

Ce poêle est conçu pour être utilisé soit avec une cheminée pré-fabriquée possédant un enregistrement UL 103HT (aux États-Unis) ou ULC-S629 (au Canada) ou avec une cheminée de maçonnerie avec conduit de fumée approuvée. Les cheminées pré-fabriquées ne sont pas toutes enregistrées UL103 HT/ULC-S629. Les centres de rénovation domiciliaires, les quincailleries et les magasins de fournitures CVCA ainsi que les sites Web de fabricants de cheminées pourront vous fournir des tuyaux de poêle isolés répondant à ces normes.

Cet enregistrement indique que ces produits sont conçus pour une température élevée jusqu'à 1 149 °C (2 100 °F).

N'assembler que des sections provenant du même fabricant. Ne pas utiliser des sections de différentes marques dans un même système d'aération.

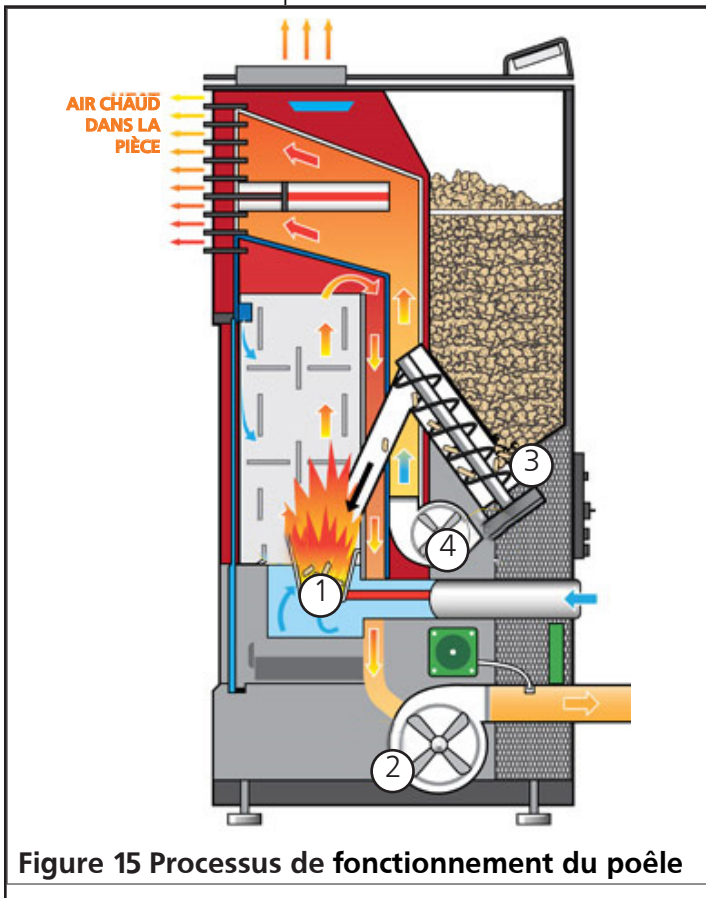
Les illustrations ci-dessous montrent différentes méthodes et exigences d'utilisation de cheminée pré-fabriquée et des tuyaux de raccordement au poêle



FONCTIONNEMENT

THÉORIE DE FONCTIONNEMENT

1. La combustion se produit dans le pot du poêle qui est alimenté en air par des trous en périphérie et en-dessous de celui-ci. Veuillez noter que de l'air est soufflé par le dessus de la chambre de combustion, prévenant l'accumulation de cendre et de débris sur la porte.
2. Le ventilateur d'échappement aspire les produits consommés volatiles et les expulse par la tuyauterie de sortie installée par l'utilisateur.
3. La tarière transfère les grenailles de la trémie au pot de combustion pour alimenter le feu.
4. Un ventilateur de l'appareil à convection fait circuler l'air sur les parois externes du pot à combustion propageant l'air chauffé dans la pièce.



- Ne pas utiliser les sédiments et débris au fond des contenants de grenailles.
- Entreposer les grenailles dans des sacs à deux ou trois couches de papier (comme ceux des sacs de ciment) ou faits de produits synthétiques biologiquement dégradables et neutres au point de vue environnemental.

L'utilisation de grenailles de bois non conformes à ces spécifications pourrait résulter en des problèmes d'allumage, une plus grande production de crésote ou l'accumulation de cendres volatiles, de combustion incomplète, une faible production de chaleur et le noircissement de la porte vitrée.

- ⚠ ATTENTION : NE PAS SE SERVIR DE PRODUITS CHIMIQUES OU DE LIQUIDES POUR DÉMARRER LA COMBUSTION.**
- ⚠ ATTENTION : NE PAS INSÉRER DE DÉCHETS OU DE PRODUITS INFLAMMABLES TEL L'ESSENCE, LE NAPHTA OU DE L'HUILE À MOTEUR DANS LE POT DE COMBUSTION.**
- ⚠ ATTENTION : NE JAMAIS TENTER D'UTILISER UN DES PRODUITS ÉNUMÉRÉS CI-DESSOUS COMME COMBUSTIBLE :**
- Produits du papier, carton ou panneau de particules;
 - Déchets;
 - Carcasses ou fumier d'animaux;
 - Résidus de tonte de gazon ou déchets de cultures;
 - Produits du pétrole usés;
 - Charbon;
 - Débris de construction ou de démolition;
 - Traverses de chemin de fer ou bois traité sous pression;
 - Matériaux comprenant
 - amiante
 - plastic
 - caoutchouc (pneus compris)
 - Produits du pétrole tel
 - peintures
 - solvants à peinture
 - produits d'asphalte
- BRÛLER CES MATÉRIAUX POURRAIT CRÉER DES ÉMANATIONS TOXIQUES OU RENDRE LE POÊLE INUTILISABLE ET DÉGAGER DE LA FUMÉE**

COMBUSTIBLE APPROUVÉ :

Ne pas utiliser de grenailles de qualité inférieure à la première qualité PFI. Les grenailles de bois naturelles à 100 % (non traitées, sans agent agglomérant et d'un maximum de 5 % d'écorce) sont le seul combustible approuvé pour utilisation avec ce poêle. Pour un rendement maximum, voir les spécifications ci-dessous :

- Valeur calorifique de 5,3 kWh/kg
- Densité de 700 kg/m³
- Les grenailles devraient être à faible production de cendre (moins de 1 %)
- Les grenailles devraient être de moins de 30 mm de long et de diamètre entre 5 et 6,5 mm.

Ne pas remiser les grenailles de bois ou d'autres produits d'allumage sur le protecteur de plancher, sous le tuyau de raccordement à la cheminée ou n'importe où à une distance inférieure aux dégagements minimum des surfaces combustibles indiqués à la page 5.

Les grenailles de bois devraient être entreposées dans un endroit sec et bien aéré.

PRÉCAUTIONS POUR LE FONCTIONNEMENT

⚠ AVERTISSEMENT : BRÛLANT DURANT LE FONCTIONNEMENT. NE PAS TOUCHER LE POÊLE. GARDER LES ENFANTS, LES VÊTEMENTS ET L'AMEUBLEMENT ÉLOIGNÉS. LE CONTACT POURRAIT CAUSER DES BRÛLURES.

⚠ ATTENTION : AVANT D'UTILISER LE POÊLE S'ASSURER QUE LE POT DE COMBUSTION ET LE CABARET SOUS-JACENT SONT PROPRES ET BIEN POSITIONNÉS.

⚠ AVERTISSEMENT : NE JAMAIS UTILISER DE LIQUIDE D'ALLUMAGE DE CHARBON, DE KÉROSÈNE, D'HUILE À LAMPE OU D'ESSENCE POUR ALLUMER OU RÉ-ACTIVER LE FEU DANS CETTE UNITÉ. GARDER TOUTES CES SUBSTANCES BIEN À L'ÉCART DU POÊLE LORS DE SON FONCTIONNEMENT.

POLYMÉRISATION DE LA PEINTURE

Pour permettre à la peinture de se lier au poêle de façon durable, faites-le chauffer au réglage maximum (P1) durant 30 minutes. Pour évacuer les émanations de fumée ou odeurs créés par ce processus de cure, ouvrez portes et fenêtres opposées de la pièce.


PROCÉDURE DE FONCTIONNEMENT : ALLUMAGE DU POÊLE

REMARQUE : Si l'afficheur indique que le cycle d'extinction est en cours (« Switching Off »), ce cycle ne pourra être annulé. En cas de tentative, un message indiquera que le cycle ne peut être interrompu. Le poêle pourra seulement être rallumé après que le cycle d'extinction sera terminé après que l'échangeur de chaleur aura refroidi.

1. S'assurer que les joints d'étanchéité de la porte et du tiroir de cendre sont en bon état. Pour la première opération, ajouter une poignée de grenailles directement dans la chambre de combustion. Fermer le tiroir de cendre et les portes hermétiquement et s'assurer que les panneaux latéraux ont bien été installés.

REMARQUE : NE PAS UTILISER DE GRILLE, FER OU TOUT AUTRE DISPOSITIF POUR PLACER LES GRENAILLES DE BOIS DANS LE POT DE COMBUSTION. SEUL LE POT LUI-MÊME, PARTICULIÈREMENT À VOTRE MODÈLE DE POÊLE, DOIT ÊTRE UTILISÉ.

2. Ouvrez la trémie. Assurez-vous qu'elle est suffisamment remplie. Refermez la trémie.

3. Appuyez sur le bouton d'alimentation  durant 3 secondes. Le poêle procédera automatiquement à effectuer ce qui suit :

- Cycle de nettoyage : Le pot de combustion est nettoyé des cendres, poussières et résidus accumulés.
- Cycle d'alimentation : Les grenailles passeront de la trémie au pot de combustion par l'entremise de la tarière. Selon le modèle de poêle, ceci pourra prendre de 5 à 15 minutes.
- Cycle d'allumage : L'allumeur à surface chaude électrique sera activé durant 8 minutes pour entamer la combustion des grenailles dans le pot. L'allumeur demeurera activé jusqu'à ce que la température de l'air/fumée d'échappement atteigne le seuil de température de fonctionnement autonome.
- Cycle de stabilisation : Le système ajustera les fonctions pour procurer la température désirée. Ceci pourra prendre quelques minutes

4. Le poêle est alors allumé.

PROCÉDURE DE FONCTIONNEMENT : EXTINCTION DU POÊLE

REMARQUE : LE POÊLE PEUT ÊTRE ÉTEINT DURANT TOUS LES CYCLES INDIQUÉS À L'AFFICHEUR EN ACTIONNANT ET MAINTENANT LE BOUTON D'ALIMENTATION DURANT TROIS SECONDES. UNE FOIS QUE L'AFFICHEUR INDIQUE QUE LE POÊLE EST EN MODE DE STABILISATION, ACTIONNEZ LE BOUTON D'ALIMENTATION UNE AUTRE FOIS. LE POÊLE SE METTRA EN CYCLE DE REFROIDISSEMENT (AFFICHÉ À L'ÉCRAN).

⚠ ATTENTION : APRÈS LE CYCLE DE REFROIDISSEMENT, LE POÊLE COMMENCERA AUTOMATIQUÉMENT UN NOUVEAU CYCLE DE FONCTIONNEMENT.

1. Appuyez sur le bouton d'alimentation durant 3 secondes. Le poêle procédera automatiquement à effectuer ce qui suit :

- Arrêt du chauffage : Les grenailles se trouvant dans la chambre de combustion continueront à se consommer et produire flamme et chaleur. Elles devraient être toutes consommées après 5 à 8 minutes. L'échangeur de chaleur pourra alors commencer à refroidir.
- Goodbye : Le dernier message présenté à l'afficheur indiquant que le poêle s'est refroidi.

2. Le poêle est alors éteint.

FONCTIONNEMENT AVEC UNE GÉNÉRATRICE ÉLECTRIQUE

Ce poêle est conçu pour avoir l'option d'être alimenté par une génératrice électrique, mais les génératrices ne sont pas toutes compatibles pour fonctionner avec cet appareil. Consultez les spécifications de votre génératrice concernant son régulateur de tension et assurez-vous

qu'elles correspondent aux exigences de votre poêle telles qu'indiquées à la page 3.

COMMENT MINIMISER LA FORMATION DE CRÉOSOTE

Pour les explications concernant la formation et le nettoyage de crésote, voir "ENTRETIEN" à la page 17. Pour ralentir l'accumulation de crésote dans votre cheminée, n'utilisez que les grenailles recommandées à la page 12.

DISPOSITION DES CENDRES











⚠ ATTENTION : DES BRAISES POURRAIENT SE TROUVER SOUS LA CENDRE. POUR LA MANIPULATION DES CENDRES UTILISEZ TOUJOURS DES OUTILS POUR CHARBONS ARDENTS, JAMAIS AVEC VOS MAINS! PORTER DES VÊTEMENTS IGNIFUGES ET UNE PROTECTION OCULAIRE.

Les cendres devraient être placées dans un contenant métallique avec un couvercle hermétique.

1. D'autres rebuts ne doivent pas être mis dans le contenant de cendres.
2. Le contenant de cendres fermé devrait être placé sur un plancher non combustible ou sur le sol, éloigné de tout matériau combustible jusqu'à ce qu'il soit refroidi.
3. Les résidus minéraux du bois (environ 1 à 2 %) demeurent dans les cendres et sont un excellent fertilisant naturel pour tous les plants de jardin. Avant de disposer des cendres en les enfouissant dans le sol ou en les dispersant d'autre façon, elles devraient être gardées dans le contenant fermé jusqu'à ce que toutes les braises aient refroidi et elles devraient également être éteintes avec de l'eau.

Fonctionnalité des boutons de la télécommande :

Les boutons de la télécommande affecteront le poêle de la même façon que les boutons sur l'appareil tel que défini en v :

Bouton de télécommande	Équivalent sur l'appareil
	
	
	
	
	

Remarque : Aucun témoin ou afficheur ne se trouve sur la télécommande, confirmant l'activation de la commande. Pour vérifier l'état de fonctionnement du poêle, installez l'application Smart Stove sur votre téléphone intelligent.

CONNEXION WI-FI « SMART STOVE »

L'état de votre poêle peut être surveillé, contrôlé et programmé en utilisant l'application Smart Stove. (par NHHATC) qui est disponible à votre magasin d'applications pour les plateformes iOS ou Android.

Étape 1. Téléchargez l'application Smart Stove de NHHATC

Étape 2. Ouvrez l'application Smart Stove Par défaut, la page d'accueil de l'application est sous l'onglet « Devices » (indiqué au bas de l'écran).

Étape 3. Si vous n'avez pas d'autres dispositifs Wi-Fi déjà actifs sur cette application, un gros bouton se trouvera au centre de l'écran sur lequel vous pouvez taper. Autrement, sélectionnez le signe + du coin supérieur droit de l'écran.

Étape 4. Assurez-vous que le poêle se connecte au réseau Wi-Fi accédé par votre dispositif.

Étape 5. Assurez-vous que le poêle est branché dans une prise électrique et qu'il peut être mis en marche.

Étape 6. Suivez les directives à l'écran en appuyant et maintenant le bouton de connexion à l'arrière de l'afficheur durant 3 secondes comme montré ci-dessous. Lorsque la séquence de clignotement de recherche du témoin s'active, appuyez sur le bouton de confirmation au bas de l'écran.

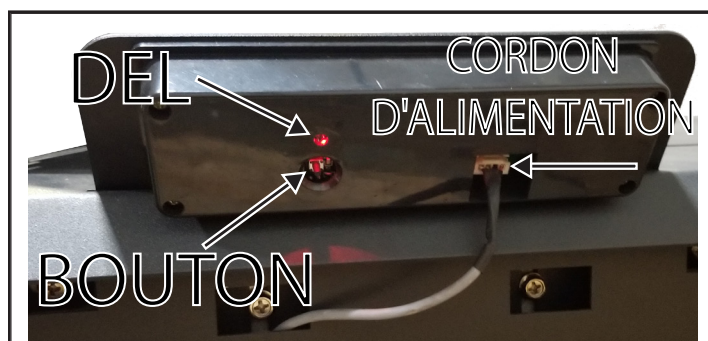


Figure 16 Dos de l'afficheur

Étape 7. Saisissez le mot de passe du réseau wi-fi de sorte que le poêle puisse se connecter au réseau.

Étape 8. Le poêle commencera la procédure d'appariement avec le dispositif utilisant l'application par l'entremise du réseau wi-fi. Ce processus pourrait prendre quelques minutes.

Étape 9. Si la connexion entre le poêle et votre dispositif ne se fait pas, revenez à l'étape 6 et au lieu de suivre les indications à l'écran, sélectionnez « AP Mode » au coin supérieur droit et poursuivez avec les étapes 7 et 8.

Étape 10. Après que le dispositif et l'appareil seront appariés vous pourrez voir l'icône du poêle à grenailles sous l'onglet « Devices » au bas de l'écran.

Étape 11. Sur votre dispositif, naviguez à vos vos réglages de dispositifs wi-fi qui comprendront maintenant le

poêle comme un des choix. Sélectionnez le poêle comme votre connexion wi-fi.

Étape 12. Ouvrez à nouveau l'application Smart Stove sur votre téléphone.

Étape 13. Vous pouvez maintenant sélectionner ce poêle à partir de la liste des dispositifs ajoutés pour programmer, commander et surveiller le fonctionnement du poêle.

COMMANDES WI-FI

Une fois connecté au poêle (voir l'étape 11 de Connexion Wi-Fi), vous pourrez ajuster et surveiller le fonctionnement du poêle à distance. Voir les explications ci-dessous :

- Nom du dispositif : Il est possible de changer le nom du poêle pour différencier l'appareil commandé en utilisant l'application « Smart Stove » (si vous avez plus d'un poêle).
- Partage du dispositif : il est possible de partager la connexion au poêle avec d'autres dispositifs par messagerie SMS ou par courriel.
- Eco Mode : Il existe deux modes ECO pouvant être sélectionnés qui économiseront les grenailles de bois tout en maintenant la température désirée. L'actionnement du bouton ECO permettra de basculer entre ces modes ou de les ignorer.
 - ECO 1 : Le poêle s'éteint lorsque la température désirée est atteinte. Il se rallumera à une température de la pièce pré-réglée en usine.
 - ECO 2 : Lorsque la température désirée est atteinte, le poêle passe en chauffage minimum (pré-réglage P4). Il se remettra à un réglage plus élevé lorsque la température de la pièce aura descendu à la température pré-réglée en usine.
- Configurations consignées : Quatre configurations peuvent être sélectionnées qui contrôlent la vitesse du ventilateur de combustion et du ventilateur de circulation d'air dans la pièce. L'actionnement du bouton Configurations consignées permettra de défiler entre les différentes configurations consignées ou d'ignorer les pré-réglages.
 - P1 [réglage de chauffage maximum]
 - P2 [réglage de chauffage intermédiaire]
 - P3 [réglage de chauffage bas]
 - P4 [réglage de chauffage minimum]

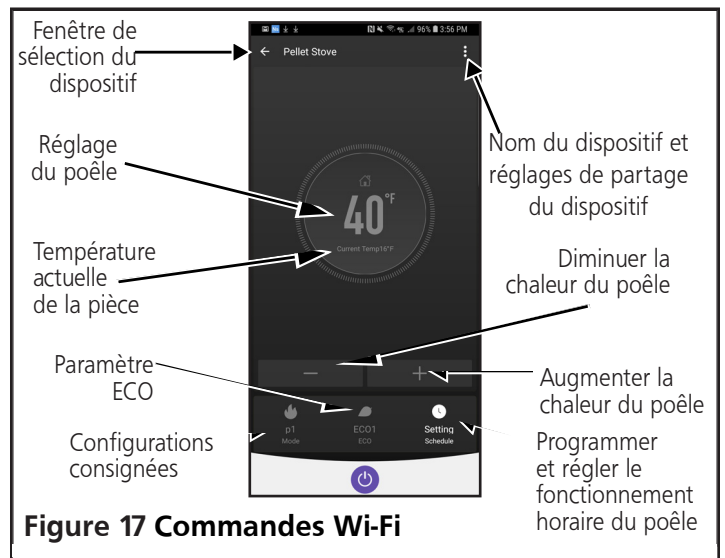
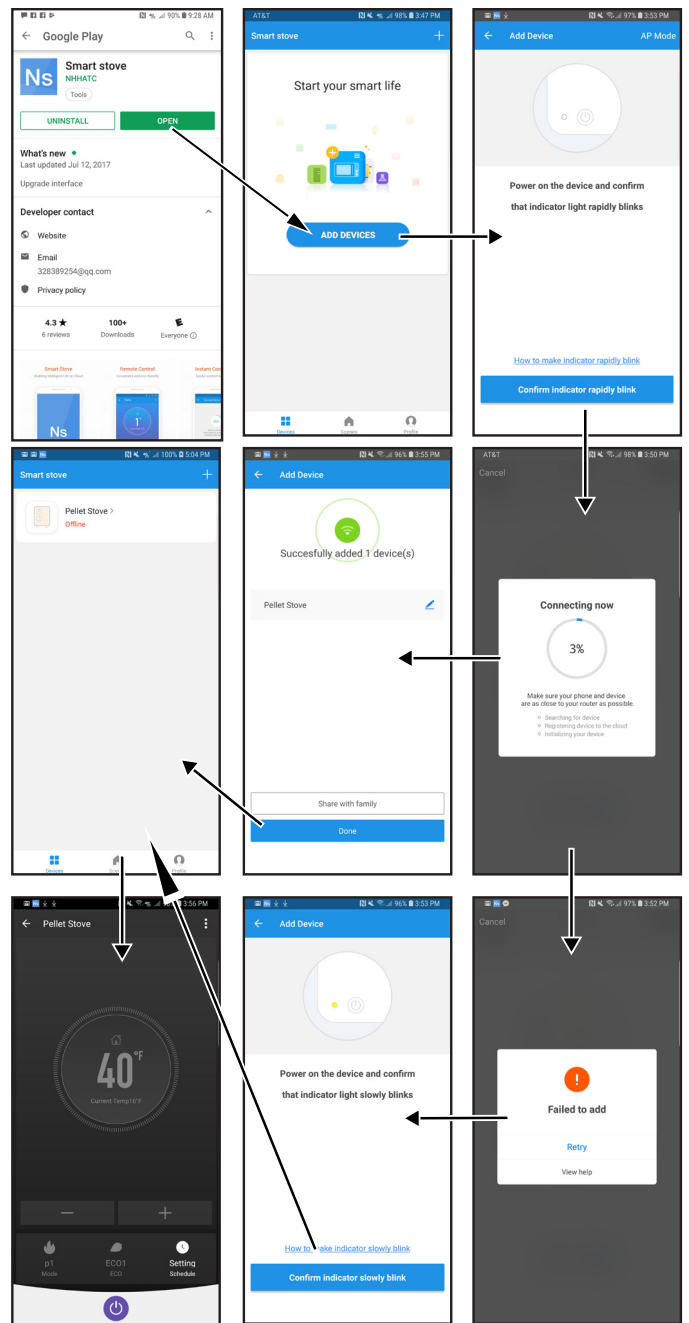


Figure 17 Commandes Wi-Fi

COMMANDES MULTI-FONCTIONS POUR PS60W, PS130W ET PSBF66W

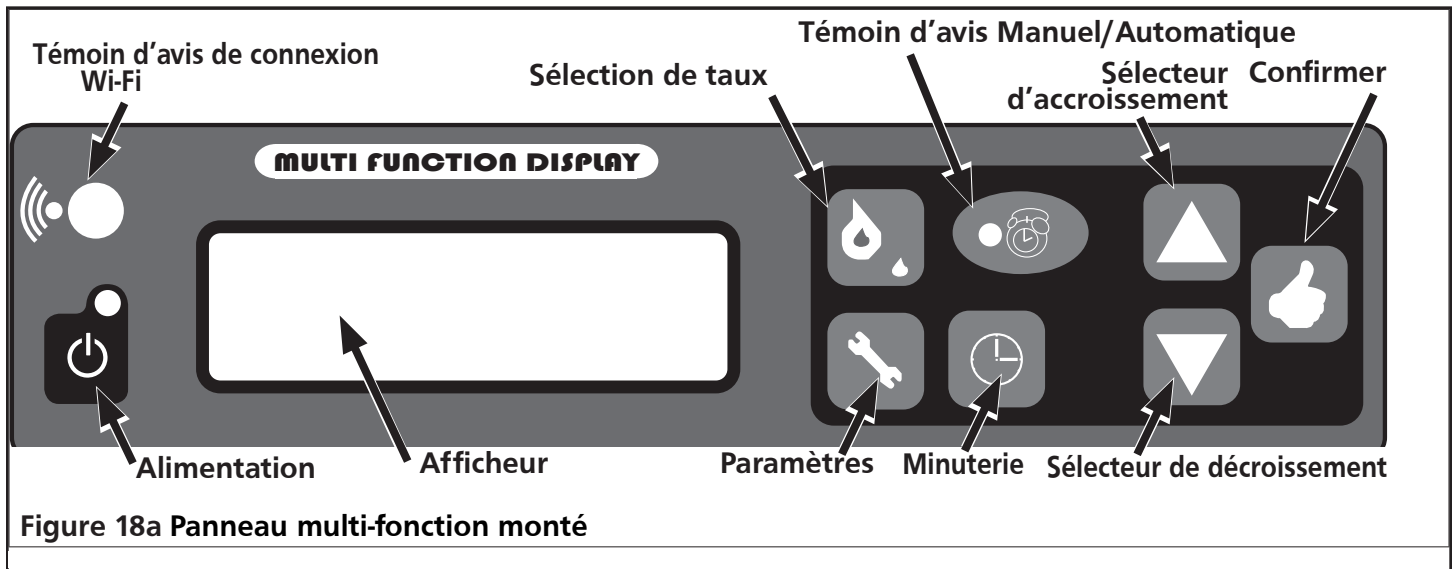


Figure 18a Panneau multi-fonction monté

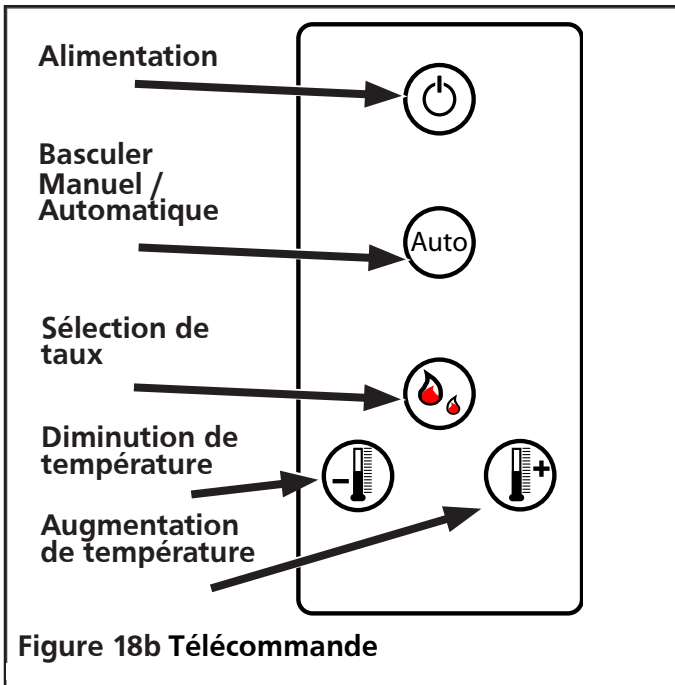










Figure 18b Télécommande

Fonctionnalité des boutons présents : Fonctionnement normal

	<ul style="list-style-type: none"> Le témoin s'allume lorsque le poêle est branché dans une prise électrique. Actionner le bouton d'alimentation pour allumer l'afficheur pour régler les paramètres. S'il n'y a pas d'interaction, l'afficheur s'éteindra après 10 secondes. Pour lancer l'allumage du poêle, actionner et maintenir le bouton d'alimentation durant 3 secondes. Pour lancer le cycle d'extinction, actionner et maintenir le bouton d'alimentation durant 3 secondes.
--	---

ATTENTION : Le fabricant a programmé les taux consignés pour garantir un fonctionnement convenable. Il est déconseillé de modifier ces consignes.

	<p>Actionner pour faire défiler les lectures de température (en Fahrenheit) (dans le coin supérieur droit de l'afficheur multi-fonction) :</p> <ul style="list-style-type: none"> ##(R) : Température de la pièce ##(S) : Température d'échappement ##(P) : Réglage du capteur de protection
	<p>Actionner pour augmenter la température à laquelle le poêle devra réchauffer la pièce. Cette valeur est affichée au coin supérieur droit de l'afficheur multi-fonction sous l'indicatif ##°F.</p>
	<p>Actionner pour diminuer la température à laquelle le poêle devra chauffer la pièce. Cette valeur est affichée au coin supérieur droit de l'afficheur multi-fonction sous l'indicatif ##°F.</p>
	<p>Actionner pour faire basculer entre la commande manuelle et la commande programmée. En mode de commande programmée, l'icône  s'allumera.</p>
	<p>L'actionnement du sélecteur de taux fera défiler les quatre consignes de chauffage configurées. La consigne actuellement réglée est affichée en haut au centre de l'afficheur multi-fonction sous l'indicatif P#.</p> <ul style="list-style-type: none"> P1 : Chauffage maximum P2 : Chauffage intermédiaire P3 : Chauffage bas P4 : Chauffage minimum
	<ul style="list-style-type: none"> Actionner et maintenir le bouton de paramétrage durant 2 secondes pour accéder au menu de configuration. Pour quitter en tout temps le menu de configuration, actionner le bouton de paramétrage.

ENTRETIEN

Pour un bon rendement de fonctionnement ce poêle à grenailles de bois nécessite un entretien périodique. Toute opération ne respectant pas les directives du présent Guide du propriétaire contrevient à la réglementation fédérale.

⚠ ATTENTION : ÉTEINDRE ET DÉBRANCHER LE POÊLE DE LA PRISE DE COURANT AVANT TOUT ENTRETIEN.

⚠ ATTENTION : LAISSER LE POÊLE SE REFROIDIR AVANT D'EFFECTUER TOUT ENTRETIEN.

⚠ ATTENTION : DURANT TOUT DÉMONTAGE OU REMONTAGE, PRENDRE GARDE DE NE PAS ÉCHAPPER QUOI QUE CE SOIT (VIS ETC.) DANS LA TRÉMIE. LES DÉBRIS PEUVENT BLOQUER LA TARIÈRE ET ENDOMMAGER LE POÊLE.

La fréquence à laquelle votre poêle nécessitera un nettoyage et un entretien dépendra de la qualité des grenailles utilisées. Leur haut taux d'humidité ou l'utilisation de fragments poussiéreux ou comprenant des cendres pourrait faire doubler le besoin d'entretien du poêle. Utilisez seulement les grenailles de bois approuvées.

À chaque jour, nettoyez le pot de combustion et le cabaret de récupération alors que le poêle est refroidi, qu'il est débranché et qu'il ne s'y trouve pas de braises chaudes. À l'aide d'un aspirateur, nettoyez le pot de combustion de ses cendres et débris et puis soulevez le pot pour nettoyer le cabaret sous-jacent. Il est important que les ouvertures d'aération du pot ne soient pas obstruées de cendres ou de débris. Un calendrier de nettoyage général serait comme suit :

- Pot de combustion : Après 10 sacs de grenailles de bois, ou de façon quotidienne. Selon la première éventualité.
- Tiroir de cendre : Après 50 sacs de grenailles de bois
- Canalisations internes : Après 100 sacs de grenailles de bois
- Ventilateur : Après 100 sacs de grenailles de bois

NETTOYAGE : POT DE COMBUSTION ET CABARET

⚠ ATTENTION : SI LE POÊLE EST POUR SERVICE CONTINU, IL DEVRA ÊTRE ÉTEINT AUX INTERVALLES DE 24 HEURES POUR NETTOYER LE POT DE COMBUSTION ET LE CABARET. LAISSER TOUJOURS LE POÊLE REFROIDIR ET LES BRAISES S'ÉTEINDRE AVANT LE NETTOYAGE.

Assurez-vous de replacer le pot de combustion dans la bonne orientation de sorte que les grenailles puissent être alimentées et allumées sans problème.

NETTOYAGE : VITRE

⚠ AVERTISSEMENT : NE PAS NETTOYER LA VITRE LORSQUE CHAUDE.

Bien que la circulation d'air sur la porte vitrée réduit l'accumulation de cendre acide sur la vitre, son nettoyage sera quand-même requis périodiquement. Le nettoyage est nécessaire pour prévenir l'affaiblissement du verre, ce qui pourrait augmenter son risque de fendillement. Il n'est pas acceptable de faire fonctionner un poêle avec une vitre fendillée ou brisée.

Le meilleur moyen de nettoyer la porte vitrée est d'utiliser un linge humide enduit de cendres refroidies. Pour la saleté incrustée consultez votre quincailler ou un expert d'entretien de poêles pour des conseils de produits nettoyants.

⚠ AVERTISSEMENT : NE PAS NETTOYER LA VITRE AVEC UN PRODUIT ABRASIF OU TOUT AUTRE MOYEN QUI POURRAIT ÉGRATIGNER OU ENDOMMAGER LE VERRE.

NETTOYAGE : CANALISATIONS D'ENTRÉE ET DE SORTIE

Les canalisations d'entrée et de sortie devraient être nettoyées au moins une fois par année. La consommation de grenailles produisant un taux élevé de cendres pourrait nécessiter un nettoyage plus fréquent des canalisations.



Figure 19 Canalisation d'entrée

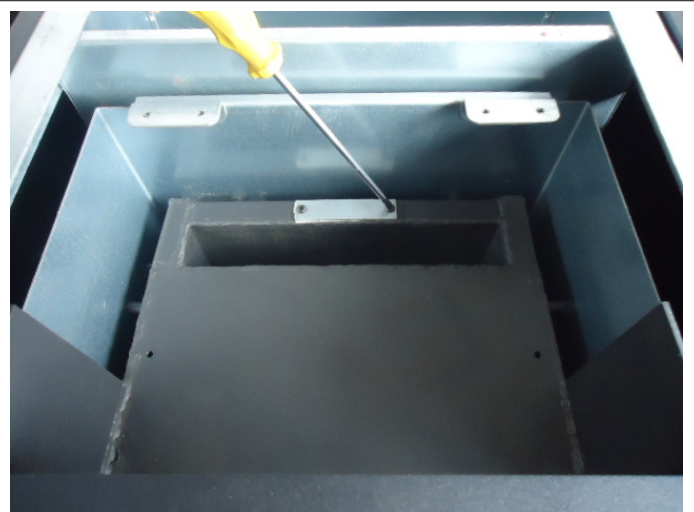


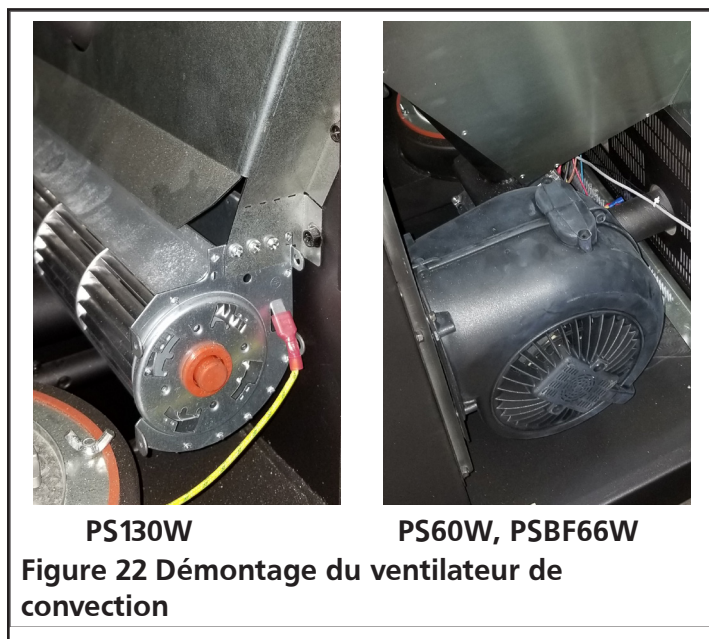
Figure 20 Canalisation de sortie

Un panneau d'accès se trouve de chaque côté du poêle qui peut être déposés en dévissant ses vis de fixation. Voir les figures 22, 25 et 26. Éteindre le poêle, le laisser se refroidir et le débrancher avant tout démontage et nettoyage. Utiliser une brosse dans les ouvertures pour dégager toute accumulation de cendre et nettoyer à l'aide d'un aspirateur. Remettre les panneaux en place et les fixer solidement avec leurs vis à tête Allen.

Deux autres ouvertures des canalisations d'entrée et de sortie sont accessibles en déposant le tiroir de cendre. Desserrer les deux vis de 5/32 po à tête Allen montrées à la Figure 20. Faire pivoter les couvercles pour exposer l'ouverture. À l'aide d'une brosse, dégager toute accumulation de cendre. Utiliser une brosse dans les ouvertures pour dégager toute accumulation de cendre et nettoyer à l'aide d'un aspirateur. Replacer les couvercles devant les ouvertures et les fixer solidement avec leurs vis à tête Allen.

NETTOYAGE : VENTILATEUR DE CONVECTION

En vous tenant devant le poêle, vous trouverez le moteur du ventilateur faisant circuler l'air autour du pot et le dirigeant dans la pièce, sur le côté droit. Pour y accéder, ouvrir et déposer le panneau latéral. Nettoyez le ventilateur de convection au besoin alors que le poêle est refroidi, qu'il est débranché et qu'il ne s'y trouve pas de braises chaudes. Lors de l'opération de nettoyage, prenez garde de ne pas endommager les pales du ventilateur. A l'aide d'un aspirateur, nettoyer toute accumulation de poussière sur les pales du ventilateur et à l'intérieur de la canalisation.



NETTOYAGE : TUYAU DE SORTIE D'ÉCHAPPEMENT

Inspecter le système d'aération de sortie au moins une fois par année et déterminez si un nettoyage est requis. Des cendres, de la suie et de la créosote peuvent se produire durant le démarrage, l'extinction et le mauvais

fonctionnement. Pour nettoyer le système d'aération, insérez une brosse de nettoyage de dimension appropriée dans le tuyau pour dégager et retirer toute cendre ou accumulation de débris. L'accumulation de débris et les cendres peuvent restreindre le débit de gaz qui affectera la performance du poêle, et ne pas retirer la créosote pourrait résulter en un dangereux feu de cheminée.

CENDRES VOLANTES - FORMATION ET BESOIN DE RETIRER

Les produits de combustion comprendront de petites particules de cendres volantes. Les cendres volantes s'accumuleront dans le système d'échappement et restreindront l'évacuation des gaz de sortie. La combustion incomplète qui se produit durant le démarrage, l'extinction ou lors de mauvais fonctionnement du poêle conduira à la formation de suie qui s'accumulera dans le système d'échappement des gaz. Le système d'aération de sortie devra être inspecté au moins une fois par année pour déterminer si un nettoyage est requis. Pour dégager les accumulations de la canalisation, utilisez une brosse de cheminée de taille appropriée.

CRÉOSOTE - FORMATION ET BESOIN DE RETIRER

Ne pas retirer la créosote pourrait résulter en un dangereux feu de cheminée.

Lorsque les grenailles de bois sont consommées à basse température elles produisent des émanations organiques qui, combinées à l'humidité dégagée produit de la créosote. Les émanations de créosote se condensent dans les gaz relativement frais de la cheminée devenant un combustible potentiel d'allumage et elles s'accumulent sur la paroi de la cheminée. Si allumée, la créosote dégage une chaleur extrême. Le tuyau de raccordement à la cheminée devrait être inspecté au moins à tous les deux mois durant la saison d'utilisation pour déterminer si une accumulation de créosote s'est produite. Si l'accumulation atteint 3 mm (1/8 po) elle devra être retirée pour éliminer le danger de feu de cheminée. Pour dégager les accumulations du tuyau, utilisez une brosse de cheminée de taille appropriée.

Sachez que sous chauffage modéré en début et fin de saison une plus grande formation de créosote sera probable et un nettoyage hebdomadaire pourrait être requis alors qu'en chauffage plus élevé durant l'hiver un nettoyage mensuel pourrait suffire. Pour apprendre comment traiter un feu de cheminée, communiquez avec les autorités ou le service d'incendie de votre localité. En tant que préparation, ayez un plan de réaction précis pour éteindre les feux de cheminée.

REPLACEMENTS : VITRE

Tout bris de vitre ne devra être adressée que par le remplacement de la porte complète fournie par le fabricant. Voir pages 27 à 29.

RETRAIT DES PANNEAUX ARRIÈRE ET LATÉRAUX

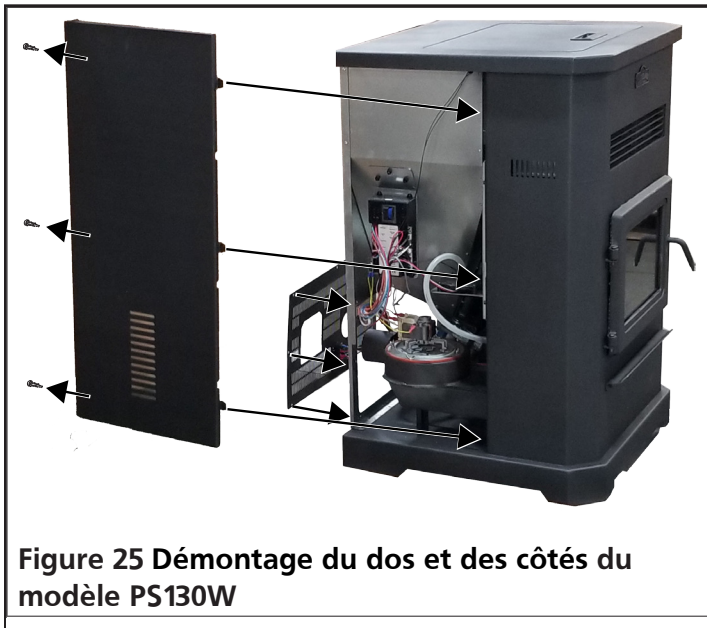


Figure 25 Démontage du dos et des côtés du modèle PS130W

- Pour retirer les panneaux latéraux du modèle PS130W, retirer les vis de fixation à l'arrière de l'unité et faire glisser le panneau vers l'arrière.
- Pour retirer la plaque arrière du modèle PS130W, retirer les huit vis de fixation à l'arrière de l'unité.
- Pour retirer les panneaux latéraux du modèle PS60W, retirer les vis de fixation à l'arrière de l'unité et retirer directement le panneau.
- Pour ouvrir le côté du modèle PSBF66W, faire simplement pivoter le panneau latéral hors de ses aimants de retenue.

REPLACEMENTS : VENTILATEUR D'ÉCHANGEUR D'AIR CHAUD

Débrancher le poêle. Déconnecter tout câblage raccordé au ventilateur d'air chaud. Retirer les vis de fixation de la plaque de montage. Retirer lentement le ventilateur et le remplacer par le nouveau. Fixer la plaque à l'aide des vis et reconnecter les fils.

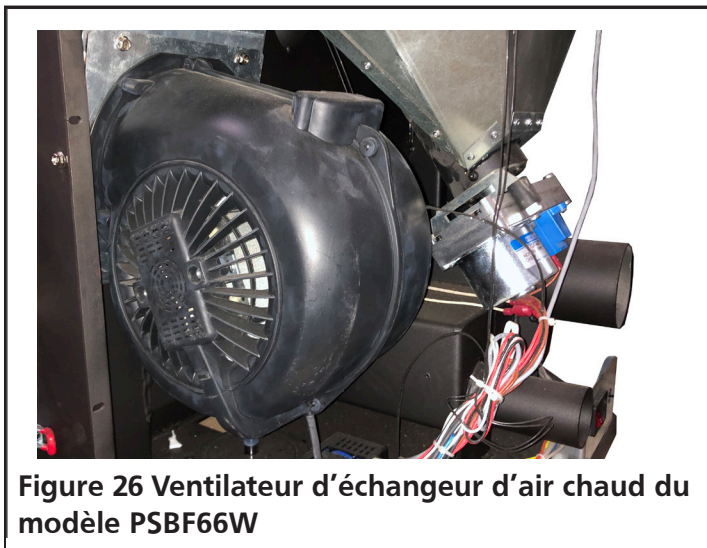


Figure 26 Ventilateur d'échangeur d'air chaud du modèle PSBF66W

REPLACEMENTS : VENTILATEUR D'ÉCHAPPEMENT

Débrancher le poêle. Déconnecter tout câblage raccordé au ventilateur d'échappement. Retirer les écrous à oreilles maintenant la plaque de l'ensemble sans son logement. Retirer lentement le ventilateur et le remplacer par le nouveau. Fixer avec les écrous à oreilles et reconnecter les fils.

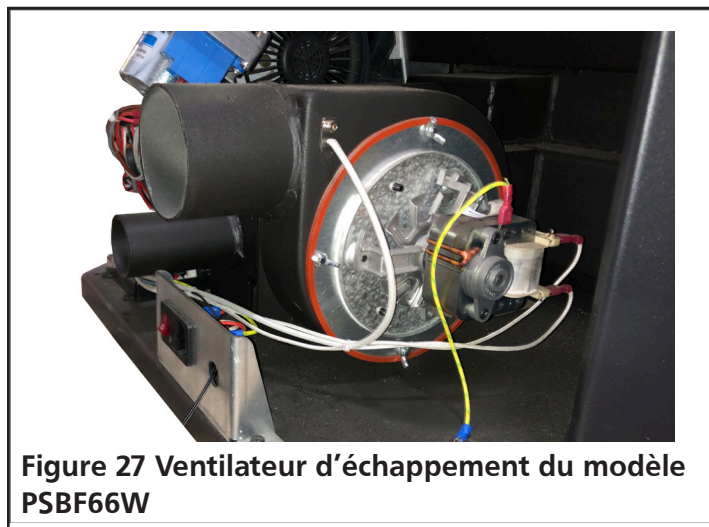


Figure 27 Ventilateur d'échappement du modèle PSBF66W

COMPOSANTS DE SÉCURITÉ

1. Pressostat de vide : Un pressostat de vide est fixé derrière le bas de la porte gauche. Si une basse pression est créée par une fuite, l'ouverture de la porte du pot de combustion, une cheminée obstruée ou un tiroir de cendre non scellé, le pressostat éteindra le poêle comme mesure de précaution. Le code d'erreur E5 s'affichera à l'écran.
2. Thermostat de limite de température : Une protection de température élevée est placée sous le fond de la trémie. Si ce capteur est exposé à une température dépassant 70 °C (158 °F), le poêle sera éteint.
3. Thermostat de température élevée dans le tuyau d'échappement : Une protection de température élevée est placée sur le tuyau d'échappement. Si ce capteur est exposé à une température dépassant 40 °C (104 °F), le ventilateur de circulation d'air sera mis en marche.
4. Thermostat de basse température dans le tuyau d'échappement : Si le poêle se refroidit en bas de la consigne de température minimum, il s'éteindra. Ceci pourrait se produire si le poêle ne se réchauffe pas assez rapidement après l'allumage.
5. Fusible : Un élément fusible à l'arrière du dispositif protège contre les défauts et les risques d'électrocution. Voir Figure 28.

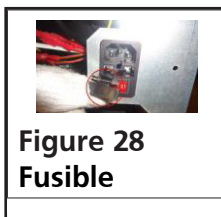



Figure 28
Fusible

CODES D'ERREUR

REMARQUE : DANS L'ÉVENTUALITÉ D'UNE PANNE DE COURANT (CODE D'ERREUR E7), UNE FAIBLE QUANTITÉ DE FUMÉE POURRAIT ÊTRE DÉGAGÉE. CECI DURERA DE TROIS À CINQ MINUTES ET NE REPRÉSENTE PAS UN DANGER.

⚠ ATTENTION : S'IL S'EST PRODUIT UNE SURCHAUFFE (CODES D'ERREUR E5 ET E6), ALORS UNE INSPECTION, ENTRETIEN ET/OU UN NETTOYAGE DEVRA ÊTRE EFFECTUÉ AVANT QUE LE POÊLE PUISSE ÊTRE UTILISÉ DE FAÇON SÉCURITAIRE DE NOUVEAU.

Après avoir suivi les étapes de solution suggérées, actionner le bouton de confirmation  pour supprimer le code d'erreur de l'afficheur multi-fonction. Et puis effectuer la procédure de fonctionnement de la page 13 pour rallumer le poêle.

CODE D'ERREUR	CAUSE	SOLUTION
E1	La température d'échappement est en dessous de 4,44 à 7,22 C (40 à 45 F). Le fonctionnement a été interrompu et le chauffage arrêté.	<ol style="list-style-type: none"> Vérifier la présence de grenailles dans la trémie. Vérifier le fonctionnement du moteur de la tarière et que celle-ci alimente bien le pot de combustion.
E2	Échec d'allumage des grenailles dans le pot de combustion.	<ol style="list-style-type: none"> S'assurer que le pot de combustion ne comporte pas de fragments de différentes tailles formés par des débris exposés à la chaleur élevée (plus commun lors d'utilisation de grenailles de moindre qualité). S'assurer que le pot de combustion soit bien assis dans son support et qu'il n'y a pas d'obstruction devant l'allumeur. S'assurer que le capteur de température de gaz d'échappement, adjacent au ventilateur de combustion, est en bon état et n'a pas subi de dommage. S'assurer que l'allumeur n'est pas brisé.
E5	Basse pression détectée par le pressostat de vide (fixé au bas derrière la porte gauche).	<ol style="list-style-type: none"> S'assurer que la porte et le tiroir de cendre (le cas échéant) sont bien fermés. S'assurer que la canalisation d'échappement n'est pas obstruée ou qu'elle n'a pas de fuite. S'assurer que le ventilateur de combustion est fonctionnel.
E6	Signal du capteur de température élevée (situé sous la trémie).	<ol style="list-style-type: none"> S'assurer que le capteur n'est pas défectueux. La température au niveau du capteur est trop élevée. Le poêle ne fonctionne pas correctement. Appelez le service à la clientèle.
E7	Panne de courant.	Actionner le bouton de Confirmation pour supprimer le code d'erreur. Rallumer le poêle. Vous pouvez décider de sauter par-dessus les cycles précédents et de passer directement au cycle de stabilisation, en actionnant et maintenant le bouton de sélection de taux durant 3 secondes.
ESC1	Capteur de température n° 1 court-circuité.	<ol style="list-style-type: none"> Vérifier les fils et les points de raccordement. Remplacer la carte mère.
ESO1	Capteur de température n° 1 en circuit ouvert.	<ol style="list-style-type: none"> Vérifier les fils et les points de raccordement. Remplacer la carte mère.
ESC2	Capteur de température n° 2 court-circuité.	<ol style="list-style-type: none"> Vérifier les fils et les points de raccordement. Remplacer la carte mère.
ESO2	Capteur de température n° 2 en circuit ouvert	<ol style="list-style-type: none"> Vérifier les fils et les points de raccordement. Remplacer la carte mère.
ESC3	Capteur de température n° 3 court-circuité	<ol style="list-style-type: none"> Vérifier les fils et les points de raccordement. Remplacer la carte mère.

CODES D'ERREUR (SUITE)

ESO3	Capteur de température n° 3 en circuit ouvert	1. Vérifier les fils et les points de raccordement. 2. Remplacer la carte mère.
-------------	---	--

DÉPANNAGE

SYMPTÔME	CAUSE	SOLUTION
Le poêle ne s'allume pas.	Le commutateur d'alimentation n'est pas fermé.	Actionner le commutateur d'alimentation.
	Le cordon d'alimentation est débranché.	1. Insérer à fond le cordon d'alimentation dans le poêle 2. S'assurer que la prise murale fournit une tension de 120 V.
	Le fusible est grillé.	Remplacer le fusible.
Le ventilateur ne tourne pas durant les cycles de nettoyage, d'alimentation et d'allumage.	Ceci est normal.	Ceci n'est pas un problème, le ventilateur ne se met en marche qu'au cycle de stabilisation.
Le ventilateur ne se met pas en marche durant le cycle de stabilisation.	Le poêle/panneau de commande n'est pas sous tension.	Vérifier l'alimentation et les câbles.
	Carte mère débranchée.	S'assurer que les connecteurs de la carte sont complètement insérés.
	Le capteur de basse température est défectueux.	Remplacer le capteur.
La tarière n'alimente pas le pot de combustion durant le cycle d'allumage.	Ceci est normal.	Ceci n'est pas un problème, la tarière s'arrête durant le cycle d'allumage.
La tarière n'alimente pas le pot de combustion durant les cycles autres que le cycle d'allumage.	La trémie est vide.	Ajouter des grenailles dans la trémie.
	La tarière est coincée, obstruée ou déconnectée.	1. Débrancher l'unité de sorte qu'il ne se produise pas de démarrage inattendu et dégager le blocage de la tarière. 2. Vérifier que la tarière ne soit pas bloquée. Si c'est le cas, dégager le produit causant le coincement. 3. S'assurer que la vis de fixation de la tarière au moteur est bien serrée.

DÉPANNAGE (SUITE)

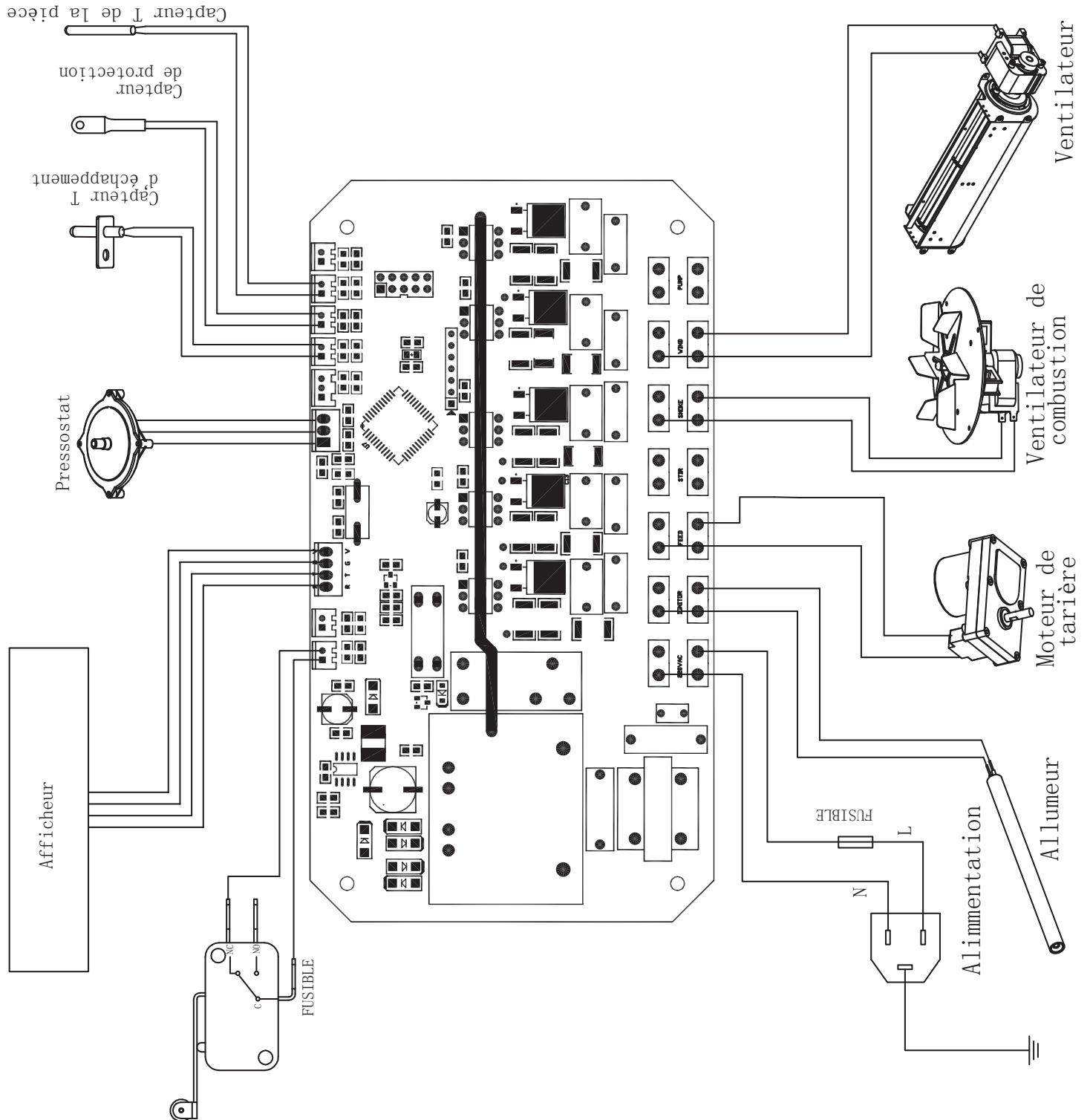
SYMPTÔME	CAUSE	SOLUTION
Trop de grenailles dans le pot de combustion. Les grenailles ne se consomment pas toutes entièrement.	La vitesse d'alimentation est plus grande que la capacité de combustion.	<ol style="list-style-type: none"> 1. Augmenter la vitesse du ventilateur pour augmenter le taux de combustion. 2. Réduire la vitesse de grenailles.
Pas assez de grenailles dans le pot de combustion.	La vitesse d'alimentation n'est pas suffisante pour soutenir ce taux de combustion.	<ol style="list-style-type: none"> 1. Diminuer la vitesse du ventilateur pour diminuer le taux de combustion. 2. Augmenter la vitesse d'alimentation.
Le poêle s'éteint 15 minutes après avoir été allumé.	La trémie est à un bas niveau.	Vérifier la présence de suffisamment de grenailles dans la trémie.
	La tarière ne fonctionne pas.	<ol style="list-style-type: none"> 1. Débrancher l'unité de sorte qu'il ne se produise pas de démarrage inattendu et dégager le blocage de la tarière. 2. Vérifier que la tarière ne soit pas bloquée. Si c'est le cas, dégager le produit causant le coincement. 3. S'assurer que la vis de fixation de la tarière au moteur est bien serrée.
	Le thermostat de température de 30 C s'est déclenché.	<ol style="list-style-type: none"> 1. S'assurer que les fils du thermostat sont bien connectés. 2. Remplacer le thermostat de 30 C.
	Le pressostat à l'intérieur du poêle est défectueux.	Remplacer le pressostat.
Flamme orange, grenailles s'empilent dans le pot de combustion, dépôts de carbone sur la vitre.	Insuffisance d'air pour une combustion adéquate.	<ol style="list-style-type: none"> 1. S'assurer que la bouche d'entrée d'air sur le devant est ouverte. 2. S'assurer que les joints d'étanchéité de la fenêtre et de la porte sont en bon état. 3. Vérifier que les canalisations d'entrée et de sortie d'air ne sont pas bloquées. 4. Augmenter la superficie d'ouverture des canalisations. 5. Augmenter la vitesse du ventilateur pour augmenter le taux de combustion. 6. Veuillez communiquer avec le fabricant pour assistance.

DÉPANNAGE (SUITE)

SYMPTÔME	CAUSE	SOLUTION
La combustion s'arrête et le poêle interrompt son fonctionnement.	La trémie est vide.	Ajouter des grenailles dans la trémie.
	La tarière est coincée, obstruée ou déconnectée.	<ol style="list-style-type: none"> 1. Débrancher l'unité de sorte qu'il ne se produise pas de démarrage inattendu et dégager le blocage de la tarière. 2. Vérifier que la tarière ne soit pas bloquée. Si c'est le cas, dégager le produit causant le coincement. 3. S'assurer que la vis de fixation de la tarière au moteur est bien serrée.
	La vitesse d'alimentation n'est pas suffisante pour soutenir ce taux de combustion.	<ol style="list-style-type: none"> 1. Diminuer la vitesse du ventilateur pour diminuer le taux de combustion. 2. Augmenter la vitesse de grenailles.
	Le thermostat de température de 30 °C s'est déclenché.	<ol style="list-style-type: none"> 1. S'assurer que les fils du thermostat sont bien connectés. 2. Remplacer le thermostat de 30 °C.
La combustion s'arrête et le poêle interrompt son fonctionnement (suite).	La température réglée a été atteinte.	Ceci est le fonctionnement normal du mode ECO. Le poêle se remettra automatiquement en fonction lorsque la température de la pièce descendra en-dessous de la demande programmée.
Le ventilateur de circulation d'air demeure en fonction après que le poêle a cessé de chauffer et se soit refroidi.	Le thermostat de température de 30 °C s'est déclenché.	<ol style="list-style-type: none"> 1. S'assurer que les fils du thermostat sont bien connectés. 2. Remplacer le thermostat de 30 °C.
Le poêle fournit un volume trop faible d'air insuffisamment chauffé.	Le combustible est inadéquat.	Utiliser des grenailles spécifiées dans le présent manuel.
	La vitesse du ventilateur de circulation d'air chaud est à un réglage trop bas ou le fonctionnement du ventilateur est compromis.	<ol style="list-style-type: none"> 1. Si le ventilateur est défectueux, remplacer le ventilateur. 2. Si la carte de commande du ventilateur est défectueuse, remplacer la carte.
	Les tubes de l'échangeur de chaleur sont sales.	Nettoyer les tubes de l'échangeur de chaleur.

SCHÉMA DE CÂBLAGE

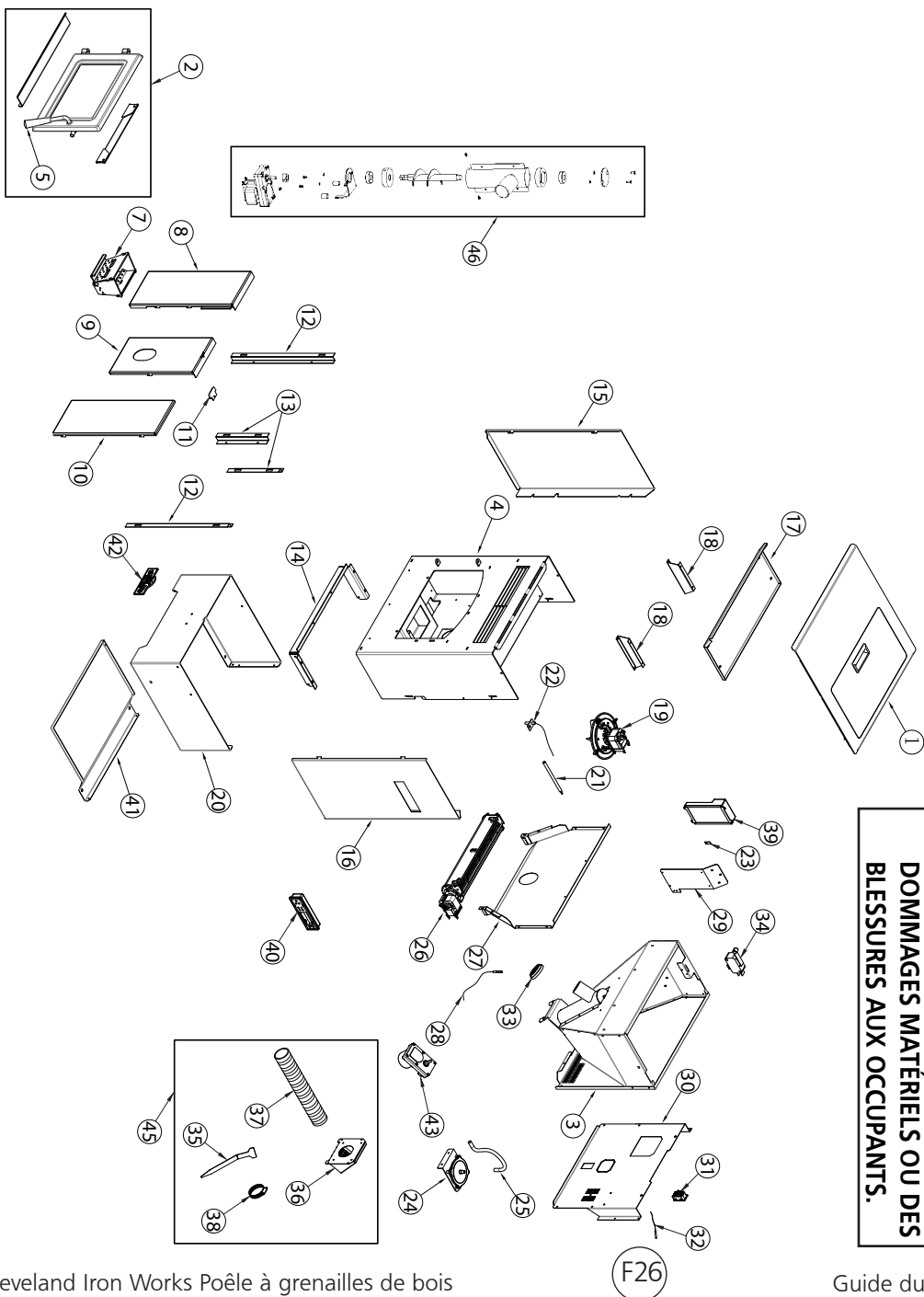
REMARQUE : SI DES FILS QUELCONQUES DOIVENT ÊTRE REMPLACÉS ILS DEVRONT CORRESPONDRE AUX SPÉCIFICATIONS DE CÂBLAGE ORIGINAL DE TEMPÉRATURE NOMINALE DE 105 C AVEC ISOLANT DE CLASSE DE 600 V



PIÈCES DE SERVICE MODÈLE PS60W

N° pièce	N° de pièce	DESCRIPTION
1	66623	Le couvercle supérieur
2	66624	Porte assemblée
3	n / a	Hopper
4	n / a	Corps principal
5	66603	Poignée de porte
7	66625	Pot de feu
8	n / a	Conseil de combustion - gauche
9	n / a	Conseil de combustion au milieu
10	n / a	Panneau De Conduit De Droite
11	n / a	Plaque de cheminée supérieure
12	n / a	Conduit de fumée plaque longue
13	n / a	Conduit de cheminée fixe court
14	n / a	Piédestal plaque fixe
15	66626	Panneau latéral gauche
16	66627	Panneau latéral droit
17	n / a	Plaque d'isolation thermique
18	n / a	Plaque de support d'isolation
19	66607	Souffleur à combustion
20	n / a	Plaque de piédestal
21	66608	Allumeur
22	66609	Capteur de température
23	n / a	Vis de fixation
24	66628	Commutateur de vide
25	66629	Tube de silicone de commutateur de vide
26	66630	Ventilateur de circulation
27	n / a	Couverture d'isolation de chambre
28	66613	Capteur de sécurité
29	n / a	Plaque fixe de la carte mère
30	66631	Capot arrière
31	66615	Prise de courant
32	66616	Capteur de pièce
33	66622	Joint détaché en caoutchouc silicone
34	66617	Commutateur
35	n / a	Outil de nettoyage (voir n. 45)
36	n / a	Ventilation d'admission d'air frais (voir n. 45)
37	n / a	Tube d'expansion en aluminium (voir n. 45)
38	n / a	Pince (voir n. 45)
39	66618	Carte mère
40	66619	Panneau d'affichage

N° pièce	N° de pièce	DESCRIPTION
41	n / a	Plaque intérieure de piédestal
42	n / a	Plaque signalétique
43	66621	Moteur de tarrière
44	66658	Télécommande (non illustrée)
45	66659	Kit d'accessoires
46	66660	Assemblée de la tarrière



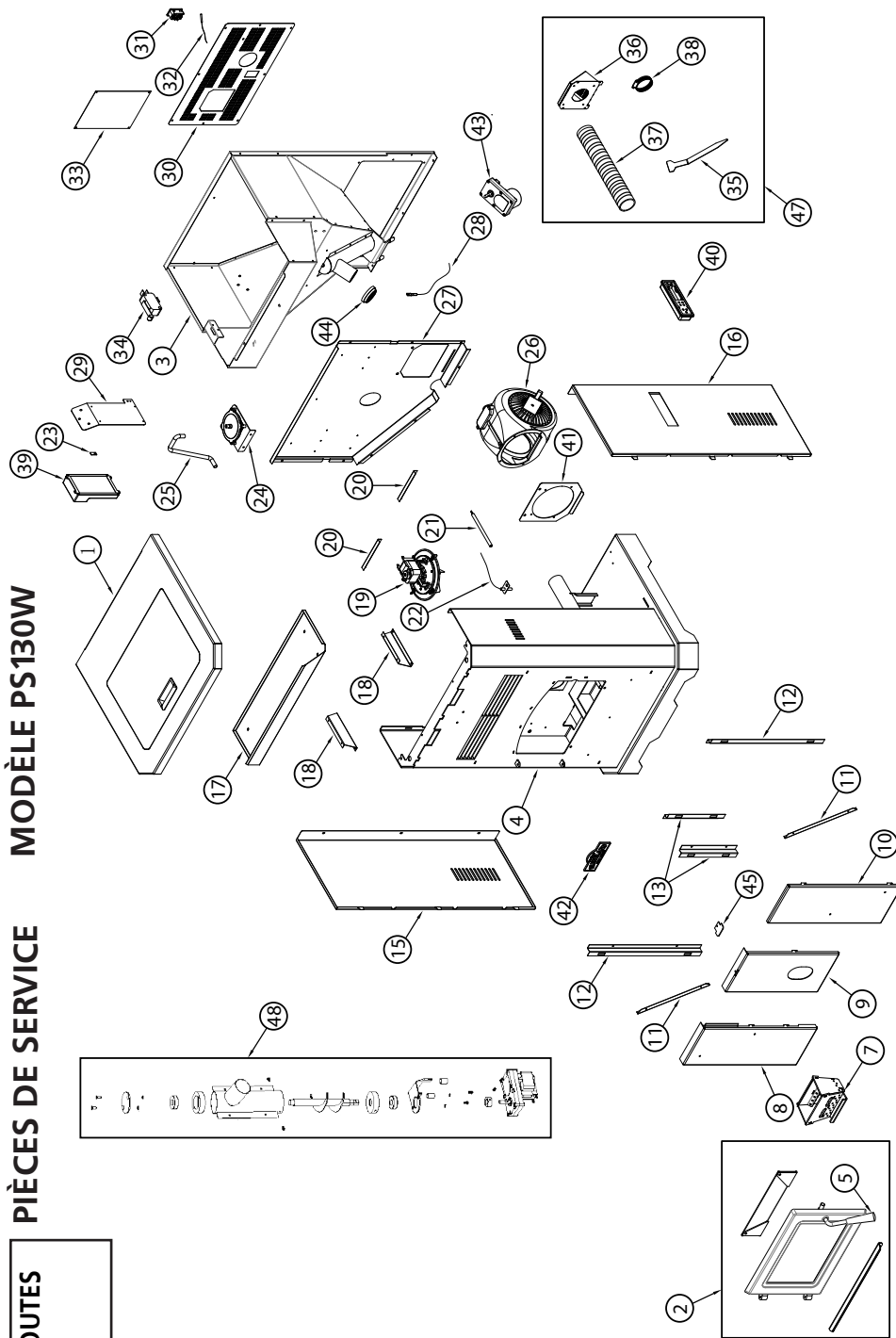
REMARQUE : LES PIÈCES NE SONT PAS TOUTES EN MAGASIN. POUR TOUTE QUESTION, COMMUNIQUEZ AVEC LE FABRICANT.

⚠ AVERTISSEMENT : NE PAS POSITIONNER LES PIÈCES SELON CES SCHEMAS OU NE PAS UTILISER EXCLUSIVEMENT LES PIÈCES SPÉCIFIQUEMENT APPROUVÉES POUR CE POËLE POURRAIT RÉSULTER EN DES DOMMAGES MATÉRIELS OU DES BLESSURES AUX OCCUPANTS.

REMARQUE : LES PIÈCES NE SONT PAS TOUTES EN MAGASIN. POUR TOUTE QUESTION, COMMUNIQUEZ AVEC LE FABRICANT.

AVERTISSEMENT : NE PAS POSITIONNER LES PIÈCES SELON CES SCHÉMAS OU NE PAS UTILISER EXCLUSIVEMENT LES PIÈCES SPÉCIFIQUEMENT APPROUVÉES POUR CE POÊLE POURRAIT RÉSUMER EN DES DOMMAGES MATÉRIELS OU DES BLESSURES AUX OCCUPANTS.

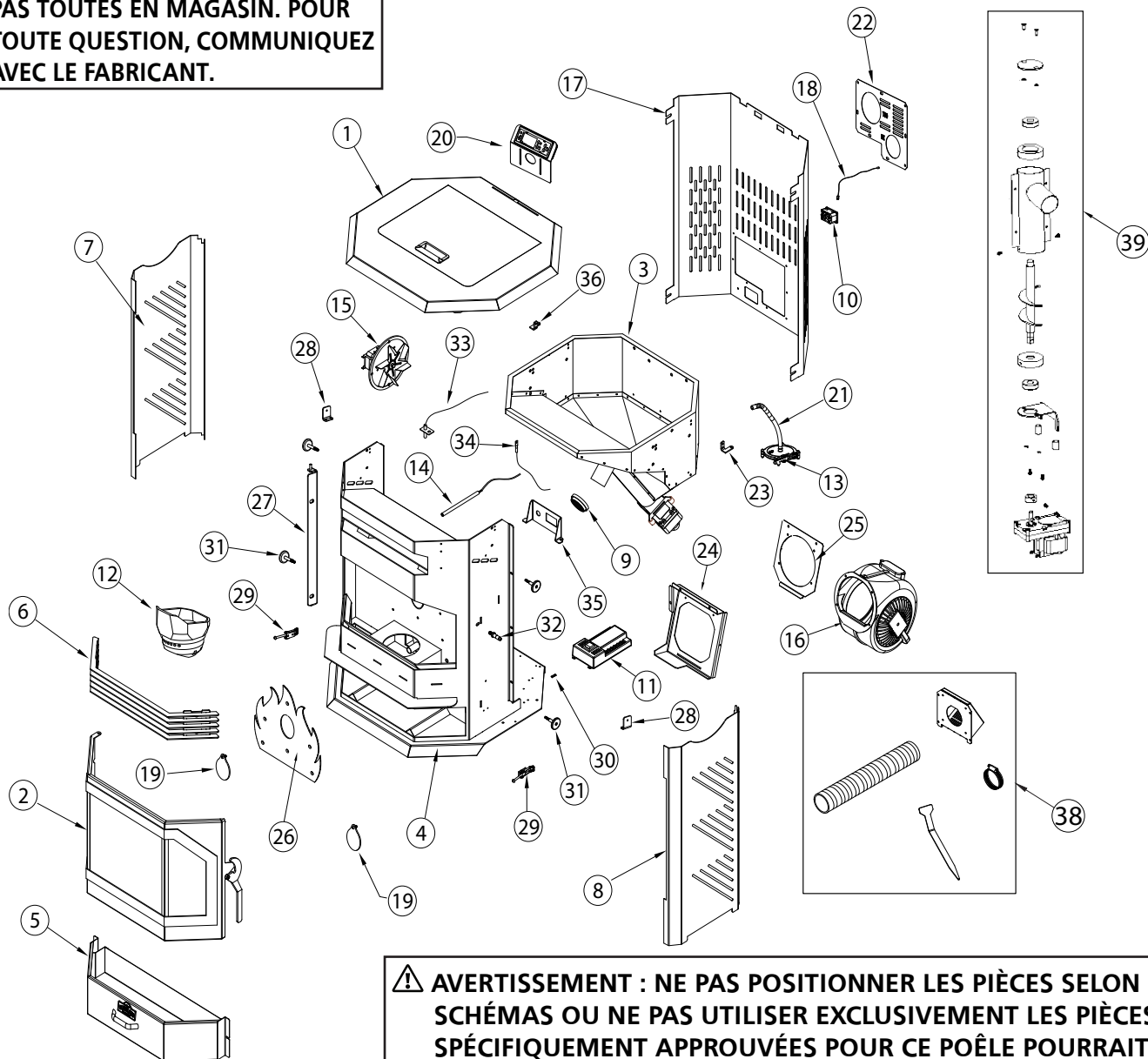
PIÈCES DE SERVICE MODÈLE PS130W



N°	N° de pièce	DESCRIPTION
1	66601	Le couvercle supérieur
2	66602	Porte assemblée
3	n / a	Hopper
4	n / a	Corps principal
5	66603	Poignée de porte
7	66604	Pot de feu
8	n / a	Conduit de fumée gauche
9	n / a	Plaque De Conduit
10	n / a	Conduit de fumée à droite
11	n / a	Renfort de la cheminée
12	n / a	Conduit de fumée plaque longue
13	n / a	Conduit de cheminée fixe court
15	66605	Panneau latéral gauche
16	66606	Panneau latéral droit
17	n / a	Panneau isolant thermique
18	n / a	Plaque de support d'isolation
19	66607	Souffleur à combustion
20	n / a	Plaque de renforcement
21	66608	Allumeur
22	66609	Capteur de température
23	n / a	Vis de terre
24	66610	Commutateur de vide
25	66611	Tube de silicone
26	66612	Ventilateur de circulation
27	n / a	Couverture d'isolation de chambre
28	66613	Capteur de sécurité
29	n / a	Plaque fixe de la carte mère
30	66614	Capot arrière
31	66615	Prise de courant
32	66616	Capteur de pièce
33	n / a	Étiquette de notation
34	66617	Commutateur
35	n / a	Outil de nettoyage (voir n. 47)
36	n / a	Ventilation d'admission d'air frais (voir n. 47)
37	n / a	Tube d'expansion en aluminium (voir n. 47)
38	n / a	Pince (voir n. 47)
39	66618	Carte mère
40	66619	Panneau d'affichage
41	66620	Plaque fixe ventilateur
42	n / a	Plaque signalétique
43	66621	Moteur de tarrière
44	66622	Joint d'étanchéité en caoutchouc silicone
45	n / a	Plaque de cheminée supérieure
46	66658	Télécommande (non illustrée)
47	66659	Kit d'accessoires
48	66660	Assemblée de la vis

PIÈCES DE SERVICE MODÈLE PSBF66W

REMARQUE : LES PIÈCES NE SONT PAS TOUTES EN MAGASIN. POUR TOUTE QUESTION, COMMUNIQUEZ AVEC LE FABRICANT.



⚠ AVERTISSEMENT : NE PAS POSITIONNER LES PIÈCES SELON CES SCHÉMAS OU NE PAS UTILISER EXCLUSIVEMENT LES PIÈCES SPÉCIFIQUEMENT APPROUVÉES POUR CE POÊLE POURRAIT RÉSULTER EN DES DOMMAGES MATÉRIELS OU DES BLESSURES AUX OCCUPANTS.

N°	N° de pièce	DESCRIPTION
1	66632	Le couvercle supérieur
2	66633	Porte
3	n / a	Hopper
4	n / a	Corps principal
5	66634	Cendrier
6	n / a	Plaque décorative
7	66635	Panneau latéral gauche
8	66636	Panneau latéral droit
9	66622	Joint d'étanchéité en caoutchouc silicone
dix	66615	Prise de courant
11	66637	Carte mère
12	66638	Pot de feu
13	66639	Commutateur de vide

N°	N° de pièce	DESCRIPTION
14	66640	Allumeur
15	66641	Souffleur à combustion
16	66612	Ventilateur de circulation
17	66642	Capot arrière
18	66643	Capteur de pièce
19	n / a	Plaque d'étanchéité
20	66644	Panneau d'affichage
21	66645	Tube de silicone de dispositif de pression
22	66646	Plaque d'étanchéité arrière
23	66647	Charnière de panneau latéral droit
24	66648	Support de soufflante
25	66620	Plaque fixe ventilateur
26	n / a	Plaque ignifuge

N°	N° de pièce	DESCRIPTION
27	66649	Charnière de porte
28	66650	Couvercle Arrière Plaque Fixe
29	66651	Pièces de verrouillage pour cendrier
30	n / a	Vis de terre
31	66652	Aimant
32	66653	Porte, loquet
33	66654	Capteur de température
34	66655	Capteur de sécurité
35	66656	Prise plaque fixe
36	66657	Charnière de panneau latéral gauche
37	66658	Télécommande (non illustrée)
38	66659	Kit d'accessoires
39	66660	Assemblée de la tarière

LIRE LES INSTRUCTIONS ATTENTIVEMENT : Veuillez lire le présent manuel au complet avant d'installer et d'utiliser ce poêle à grenailles de bois. Ne pas suivre les directives comprises pourrait résulter en des dommages matériels ou des blessures graves, voire la mort. Ne pas laisser quiconque qui n'a pas lu les instructions du présent manuel assembler, allumer, régler ou faire fonctionner le poêle. Remiser ce manuel dans un endroit sûr pour référence ultérieure.

AVERTISSEMENT :

N'UTILISER QUE LES PIÈCES DE REMPLACEMENT DU FABRICANT. L'UTILISATION DE TOUTE AUTRE PIÈCE POURRAIT CAUSER DES BLESSURES OU LE DÉCÈS DE PERSONNES. LES PIÈCES DE REMPLACEMENTS SONT SEULEMENT DISPONIBLES DIRECTEMENT DE LA MANUFACTURE ET DOIVENT ÊTRE INSTALLÉES PAR UNE AGENCE DE SERVICE QUALIFIÉE.

RENSEIGNEMENTS POUR COMMANDES DE PIÈCES :

ACHAT : LES ACCESSOIRES PEUVENT ÊTRE ACHETÉS EN TOUT TEMPS DE TOUT DÉPOSITAIRE CLEVELAND IRON WORKS LOCAL OU DIRECTEMENT DE LA MANUFACTURE.

POUR RENSEIGNEMENTS CONCERNANT LE SERVICE :

Veuillez composer le numéro sans frais 1-800-251-0001 • CLEVELAND-IRONWORKS.COM

Nos heures d'ouverture sont de 8:00 h à 17:00 h HNE du lundi au vendredi.

Dans toutes les communications, veuillez indiquer le numéro de modèle, la date d'achat et une description du problème.

GARANTIE LIMITÉE :

Enenco Group, Inc. (EGI) garantit les poêles à grenailles de bois Cleveland Iron Works être libres de défauts de matériaux et de main-d'œuvre au moment de la livraison. Après l'installation, si des composants couverts sont trouvés présenter des défauts de matériau ou de main-d'œuvre durant la période de couverture applicable, alors la Société, à sa propre option, réparera ou remplacera les produits retournés par l'acheteur à l'atelier, tous frais de transport payés d'avance, durant la période de garantie applicable, les pièces trouvées défectueuses. La période de garantie des composants couverts est définie dans le tableau suivant :

Composants couverts	Période de garantie (pièce seulement, main-d'œuvre non comprise)
Électriques	1 an
Pièces métalliques (excluant le pot de combustion)	5 ans

Si une pièce est endommagée ou manquante, appelez notre Service de soutien technique au 1-800-251-0001.

Adresser toute demande de compensation de garantie à : Service Department, Cleveland Ironworks, Inc., 4560 W. 160TH ST., CLEVELAND, OHIO 44135 U.S.A. Indiquez votre nom, adresse et numéro de téléphone, le numéro de modèle et le numéro de série de votre produit et décrivez les détails concernant la demande de compensation. Veuillez également nous indiquer la date d'achat ainsi que les nom et adresse du dépositaire où vous avez acheté votre produit.

Ce qui suit est la description complète de la responsabilité de la Société. Aucune autre garantie explicite ou implicite n'est applicable. Particulièrement, aucune garantie de concordance spécifique à une application ne s'applique ainsi que toute garantie de commercialité. En aucun cas la Société ne sera responsable de délais dus à des imperfections ou dommages de conséquence ainsi que pour des frais de toute nature sauf si consentis par écrit. Les réparations ou remplacements seront le remède exclusif pour tout bris de garantie. Il n'y a pas de garantie contre les infractions de droits ou de garantie implicite de ressortissants d'affaires. La présente garantie ne s'appliquera à aucun produit qui a été réparé ou modifié hors de l'usine sous tout aspect qui selon notre opinion affecte la condition de fonctionnement. La présente garantie ne couvre pas les dommages ou bris dus à un mauvais usage, abus d'utilisation ou modifications. La garantie ne couvre pas la peinture de finition, les vitres, joints d'étanchéité ou les briques réfractaires. La garantie ne couvre pas le pot de combustion. La garantie ne couvre aucun dommage de corrosion.

Certains États/provinces ne permettent pas l'exclusion ou la limite de dommages accessoires ou indirects, alors les exclusions ou limitations ci-dessus pourraient ne pas s'appliquer dans votre cas. La présente garantie vous donne des droits juridiques particuliers et d'autres droits, variables d'un état/province à l'autre, pourraient s'appliquer.

Cleveland Ironworks Inc. se réserve le droit d'apporter des modifications sur les couleurs, spécifications, accessoires, matériaux et modèles en tout temps sans préavis ou obligation.