



Hitch-Mounted Mud Flaps For Towing



(The ball mount is not included)

OWNER'S MANUAL



WARNING:

Carefully read and understand all **ASSEMBLY AND OPERATION INSTRUCTIONS** before operating. Failure to follow the safety rules and other basic safety precautions may result in serious personal injury.

Model # TTF-2418AMF

Thank you very much for choosing this product! For future reference, please complete the owner's record below:

Model: _____ Purchase Date: _____

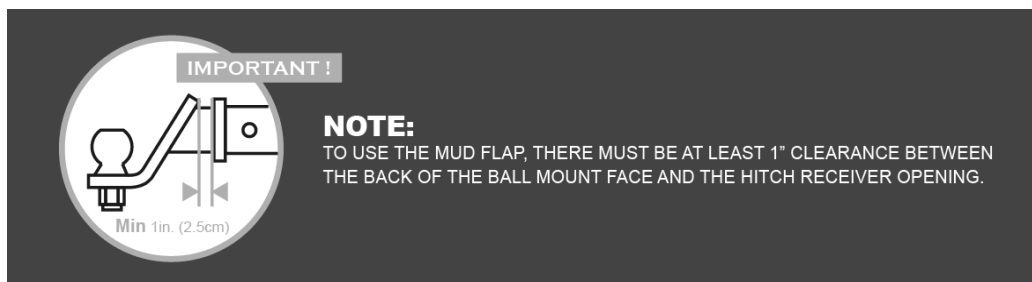
Save the receipt, the warranty, and these instructions. It is important that you read the entire manual to become familiar with this product before you begin using it.

This product is designed for certain applications only. The manufacturer cannot be responsible for issues arising from modification. We strongly recommend that this product not be modified and/or used for any application other than that for which it was designed. If you have any questions relative to a particular application, DO NOT use the product until you have first contacted us to determine if it can, or should, be performed on the product.


For technical questions, please call **1-218-943-6296**.


TECHNICAL SPECIFICATIONS


| Item | Description |
|---------------|----------------------------------|
| Mud Flap Size | 18" wide x 24" high |
| Adjustment | Height: 8" Width: 66" – 77" |
| Receiver Size | 2" |



GENERAL SAFETY RULES

 **WARNING:** Read and understand all instructions. Failure to follow all instructions listed below may result in serious injury.

 **CAUTION:** Do not allow persons to use the mud flaps until they have read this manual and have developed a thorough understanding of how the mud flaps work.

 **WARNING:** The warnings, cautions, and instructions discussed in this instruction manual cannot cover all possible conditions or situations that could occur. It must be understood by the operator that common sense and caution are factors that cannot be built into this product, but must be supplied by the operator.

SAVE THESE INSTRUCTIONS

WORK AREA

- **Keep work area clean**, free of clutter, and well lit. Cluttered and dark work areas can cause accidents.

PERSONAL SAFETY

- **Use safety apparel and equipment.** This applies to all persons in the work area. Also use non-skid safety shoes, hard hats, heavy duty gloves, and hearing protection when appropriate.

MUD FLAPS USE AND CARE

- **Do not modify the mud flaps in any way.** Unauthorized modification may impair the function and/or safety and could affect the life of the equipment. There are specific applications for which the mud flaps were designed.
- **Always check for damaged or worn-out parts before using the mud flaps.** Broken parts will affect operation. Replace or repair damaged or worn parts immediately.

ASSEMBLY

1. Attach upside block (#17) and downside block (#18) to the ball mount with screw (#16) tightly.
2. Install downside block (#18) and main frame (#20) with washer (#13), spring washer (#14), and bolt (#15). Adjust height as needed.
3. Insert left frame (#2) and right frame (#19) into main frame (#20) with nut (#12), bolt (#11), and screw (#16) tightly. Adjust width as needed.
4. If rubber mud flaps are too long, cut to desired length and re-drill holes.
Never use if parts are loose or damaged.

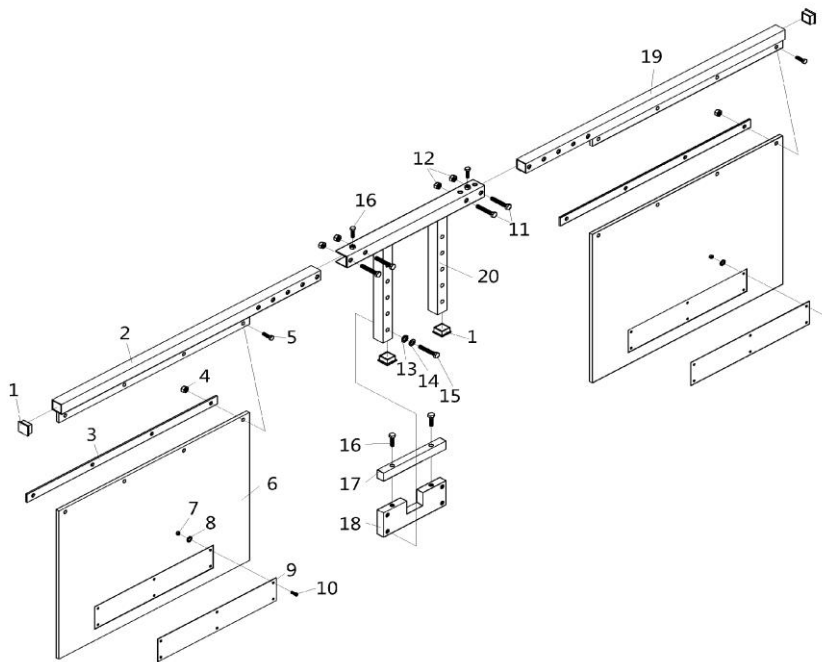
MAINTENANCE

- **Maintain your mud flaps.** It is recommended that the general condition of any mud flaps be examined before it is used. Keep you mud flaps in good repair by adopting a program of conscientious repair and maintenance. If any abnormal vibrations or noise occurs, have the problem corrected before further use. Have necessary repairs made by qualified service personnel.
 - **Before each use:** Inspect the general condition of the mud flap. Check for misalignment, loose, or damaged parts.



WARNING: Check with your local traffic enforcement agencies to ensure that all local laws are being followed.

DIAGRAM & PARTS LIST



| Part# | Description | Qty. | Part# | Description | Qty. |
|-------|-------------|------|-------|------------------|------|
| 1 | End Cap | 4 | 11 | Bolt M10X50 | 4 |
| 2 | Left Frame | 1 | 12 | Nut M10 | 4 |
| 3 | Plate | 2 | 13 | Washer 10 | 4 |
| 4 | Nut M8 | 8 | 14 | Spring Washer 10 | 4 |
| 5 | Bolt M8X30 | 8 | 15 | Bolt M10X55 | 2 |
| 6 | Mud Flap | 2 | 16 | Screw M10X30 | 4 |
| 7 | Nut M5 | 12 | 17 | Upside Block | 1 |
| 8 | Washer 5 | 12 | 18 | Downside Block | 1 |
| 9 | Logo Plate | 2 | 19 | Right Frame | 1 |
| 10 | Screw M5X16 | 12 | 20 | Main Frame | 1 |

For replacement parts and technical questions, please call **1-218-943-6296**.

WARRANTY: One-year limited parts warranty.



TG
 PO BOX 203
 Miltona, MN 56354
 Made in China
 Page 4 of 4