

(JULY18)

Part No. 200-3117-C

DXCM024-0374

Copyright © 2017, 2018 DEWALT

MAT Industries, LLC, Long Grove, IL 60047

*If you have questions or comments, contact us.
Pour toute question ou tout commentaire, nous contacter.
Si tiene dudas o comentarios, contáctenos.*

1-800-4-DEWALT • www.dewalt.com

INSTRUCTION MANUAL
GUIDE D'UTILISATION
MANUAL DE INSTRUCCIONES

INSTRUCTIVO DE OPERACIÓN, CENTROS DE SERVICIO Y
PÓLIZA DE GARANTÍA. **ADVERTENCIA:** LÉASE ESTE
INSTRUCTIVO ANTES DE USAR EL PRODUCTO.

DEWALT®

DXCM024-0374

3/8" x 50' Auto Retracting Steel Hose Reel

Carrete Autoretráctil De Acero Para Manguera - 9,5 mm x 15,2 m

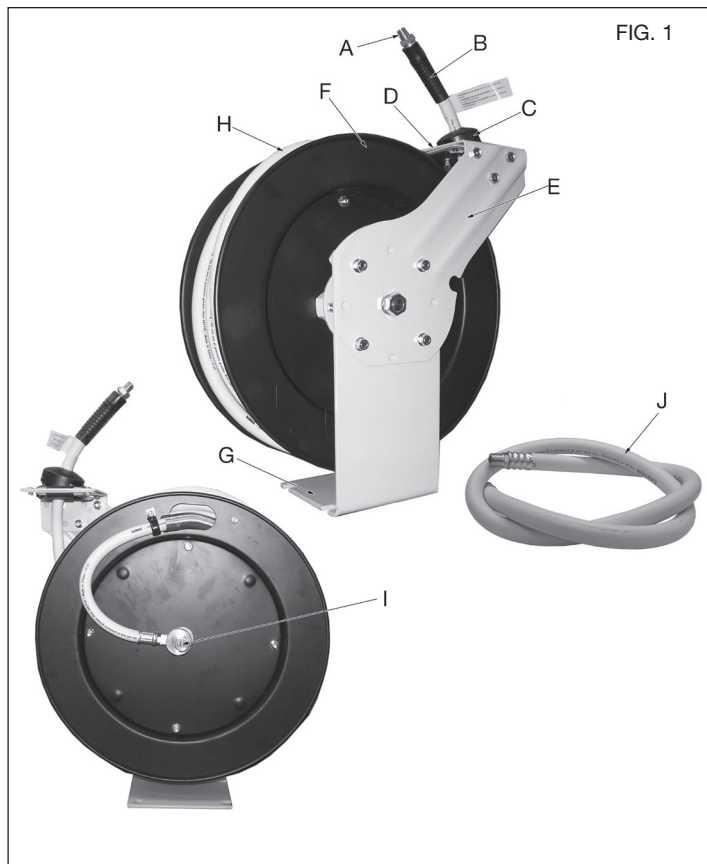
Dévidoir Autorétractable En Acier Pour Tuyau - 9,5 mm x 15,2 m

DXCM024-0374 Air Hose Reel

- A. Air line outlet (to air tool/accessory)
- B. Hose bend restrictor
- C. Ball stop
- D. Hose guide roller bracket
- E. Hose guide arm
- F. Hose reel drum
- G. Mounting bracket
- H. Air hose
- I. Air line inlet (from compressor)
- J. Lead-in air hose

Specifications

MODEL	DXCM024-0374
NET WEIGHT	37 lbs. (16,8 kg)
AIR INLET	1/4" NPT (6,3 mm) (female/hembra/femelle)
AIR HOSE TYPE	Rubber
AIR HOSE SIZE	3/8" (9,5 mm)
HOSE MAXIMUM OPERATION PRESSURE	300 PSI (2,068 kPa)
AIR HOSE LENGTH	50' (15,2 m)



Definitions: Safety Guidelines

The definitions below describe the level of severity for each signal word. Please read the manual and pay attention to these symbols.

▲ DANGER: Indicates an imminently hazardous situation which, if not avoided, will result in death or serious injury.

▲ WARNING: Indicates a potentially hazardous situation which, if not avoided, could result in death or serious injury.

▲ CAUTION: Indicates a potentially hazardous situation which, if not avoided, may result in minor or moderate injury.

▲ CAUTION: Used without the safety alert symbol indicates a potentially hazardous situation which, if not avoided, may result in property damage.

IF YOU HAVE ANY QUESTIONS OR COMMENTS ABOUT THIS OR ANY DEWALT TOOL, CALL US TOLL FREE AT: 1-800-4-DEWALT (1-800-433-9258)

Important Safety Instructions

▲ WARNING: Some dust created by power sanding, sawing, grinding, drilling, and other construction activities contains chemicals known to the State of California to cause cancer, birth defects or other reproductive harm. Some examples of these chemicals are:

- Lead from lead-based paints
- Crystalline silica from bricks and cement and other masonry products
- Arsenic and chromium from chemically-treated lumber

Your risk from these exposures varies, depending on how often you do this type of work. To reduce your exposure to these chemicals: work in a well ventilated area, and work with approved safety equipment, always wear **OSHA/MSHA/NIOSH** approved, properly

fitting face mask or respirator when using such tools. When using air tools, basic safety precautions should always be followed to reduce the risk of personal injury.

▲ WARNING: CONTAINS LEAD. May be harmful if eaten or chewed. May generate dust containing lead. Wash hands after use. Keep out of reach of children.

▲ WARNING: This product can expose you to chemicals including Lead and Mercury (inorganic), which are known to the State of California to cause cancer and birth defects or other reproductive harm. For more information go to www.P65Warnings.ca.gov.

SAVE THESE INSTRUCTIONS

▲ WARNING:



Improper operation or maintenance of this product could result in serious injury and property damage. Read and understand all warnings and operating instructions before using this equipment. When using air tools, basic safety precautions should always be followed to reduce the risk of personal injury.

▲ WARNING:



Read and understand this instruction manual and tool labels before installing, operating or servicing this tool. Keep these instructions in a safe accessible place.



Operators and others in work area must wear ANSI Z87.1 CAN/CSA Z94.3 approved safety glasses with side shields.



Operators and others in work area must wear ear protection.

⚠ WARNING:

- Do Not Use oxygen or reactive gases; explosion may occur.
- Do Not Exceed air pressure of 300 PSI.
- Read all manuals included with this product carefully. Be thoroughly familiar with the controls and the proper use of the equipment.
- Do not exceed any pressure rating of any component in the system.
- Disconnect the air tool from air supply before changing tools or attachments and during non-operation.
- Always use attachments designed for use with air powered tools.
- Do not use damaged or worn attachments.
- Check air hoses for weak or worn condition before each use. Make sure all connections are secure.
- Keep all nuts, bolts and screws tight and ensure equipment is in safe working condition.

**⚠ DANGER: RISK OF EXPLOSION OR FIRE****WHAT CAN HAPPEN**

- Exceeding the maximum pressure rating of tools accessories could cause an explosion resulting in serious injury.

HOW TO PREVENT IT

- Use compressed air regulated to a maximum pressure at or below the rated pressure of any attachments.

**⚠ DANGER: RISK TO BREATHING (ASPHYXIATION)****WHAT CAN HAPPEN**

- Abrasive tools, such as grinders, sanders, and cut-off tools generate dust and abrasive materials which can be harmful to human lungs and respiratory system.

HOW TO PREVENT IT

- Always wear MSHA/NIOSH approved, properly fitting face mask or respirator when using such tools.

**⚠ CAUTION: RISK FROM NOISE****WHAT CAN HAPPEN**

- Long term exposure to noise produced from the operation of air tools can lead to permanent hearing loss.

HOW TO PREVENT IT

- Always wear ANSI (S3.19) hearing protection.



⚠ WARNING: RISK OF INJURY

WHAT CAN HAPPEN

- Air tools can propel loose objects or other materials throughout the work area.
- Exceeding the pressure rating of air hoses can cause them to explode or fly apart, and could result in serious injury.

HOW TO PREVENT IT

- Keep work area clean and free of clutter. Keep children and others away from work area during operation of the tool.
- Keep work area well lit.
- Use compressed air regulated to a maximum pressure at or below the rated pressure of any attachments.
- Never use oxygen, carbon dioxide or other bottled gases as a power source for air tools.
- Protect air lines from damage or puncture.
- Check air hoses for weak or worn condition before each use. Make sure all connections are secure.



⚠ WARNING: RISK FROM FLYING OBJECTS

WHAT CAN HAPPEN

- Air powered equipment and power tools are capable of propelling materials such as metal chips, saw dust, and other debris at high speed, which could result in serious eye injury.
- Compressed air can be hazardous. The air stream can cause injury to soft tissue areas such as eyes, ears, etc. Particles or objects propelled by the stream can cause injury.

HOW TO PREVENT IT

- Always wear ANSI Z87.1 CAN/CSA Z94.3 approved safety glasses with side shields.
- Never leave operating tool unattended. Disconnect air hose when tool is not in use.
- For additional protection use an approved face shield in addition to safety glasses.

SAVE THESE INSTRUCTIONS FOR FUTURE USE

FEATURES

AIR LINE INLET

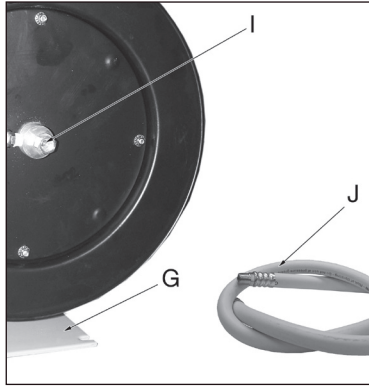
The air line inlet (I) is 1/4" NPT and is located on the side of the hose reel.

MOUNTING BRACKET

The mounting bracket (G) is a powder coated metal plate that can be easily mounted on a wall, ceiling or floor.

LEAD-IN AIR HOSE

The lead-in hose (J) is 3/8" x 4' long and has a swivel connection on one end to prevent the hose from twisting or kinking. This gets attached to the air line inlet (I).

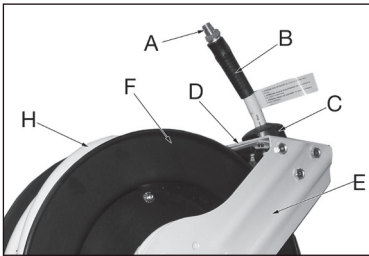


AIR LINE OUTLET

The air line outlet (A) is 1/4" NPT and is located on the end of the air hose (H) for convenient connection to air accessories or tools.

AIR HOSE

The air hose (H) is 3/8" x 50' and is attached to the hose reel.



BALL STOP

The ball stop (C) is adjustable and allows the desired length of hose to be permanently stored outside the hose reel.

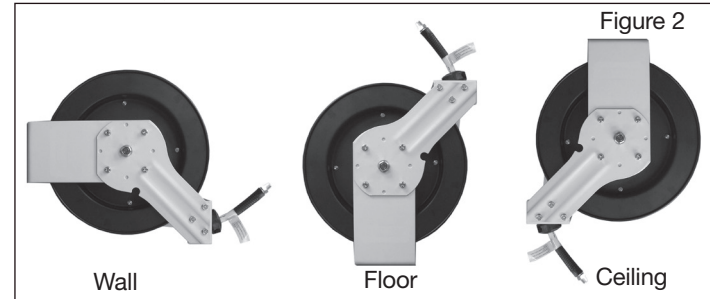
HOSE BEND RESTRICTOR

The hose restrictor (B) reduces bending stress near the fitting,

preventing damage and extending the life of the hose (H).

INSTALLATION

1. Choose a mounting location that is free of electrical wiring or other obstructions and is sturdy enough to support the weight of the hose reel and hose as well as the force used to extend and retract it. The hose reel can be mounted on the floor, ceiling or wall (see Figure 2).



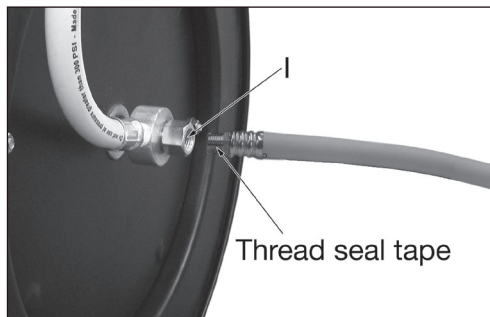
2. Use the included mounting template to mark and drill the hole locations.
3. Mount the hose reel in the desired location. Purchase the appropriate fasteners at your local hardware store. *Different mounting positions require different types of hardware.*
4. If an adjustment needs to be made to increase or decrease the length of hose that is outside of the hose reel, pull out the hose slowly until it latches at the desired length. Loosen the ball stop (C) bolts and slide the hose stop to a position close to the hose guide roller bracket (D). Retighten the ball stop bolts. Do not overtighten the bolts.

▲ WARNING:

- 1) Make sure the hose reel is secure before each use.
- 2) Never connect to an air source that is greater than 300 PSI.
- 3) Inspect the air hose before each use to make sure there are no leaks.
- 4) Do not wrap the hose around any parts of the body.

COMPRESSOR HOOK-UP

The hose reel includes a 3/8" x 4' lead-in hose for hooking up the hose reel to your air source. Apply Teflon tape to the male threads of the lead-in hose and thread the non swivel end into the air hose inlet (I). Thread and connect the other end into your air source. Attach air tool or accessory to the air outlet of the air hose in the hose reel.

**OPERATION**

Check the operation of the reel by slowly pulling out the hose. You will hear a clicking noise.

LOCKING HOSE REEL

Pull out the hose slowly until the desired length of hose is reached,

allow it to retract after hearing a series of clicks.

UNLOCKING HOSE REEL

Pull out the hose slowly until the clicking noise stops, allow it to retract until the ball stop rests against the hose guide roller bracket. **DO NOT LET GO OF THE HOSE!**

▲ WARNING: Risk of Injury. Do not let go of the hose when retracting.

▲ WARNING: Always disconnect air tool or accessory attached to the hose reel from air supply before making any adjustments and changing accessories.

ADJUSTING RECOIL TENSION

1. Disconnect the air supply to the hose reel.
2. Pull out about 2 feet of air hose and lock in place (see locking hose reel).
3. Remove the 2 piece ball stop by removing the 2 Phillips head screws, washers and nuts.
4. Feed the hose back through the hose guide roller bracket. **(Note: keep the hose reel drum locked at all times).**
5. To **increase** tension, pull the hose around the drum one time.
6. To **decrease** tension, unwrap the hose one time around the drum.
7. Push the hose back through the hose guide roller bracket and pull out the hose from the hose reel to check the tension. Reinstall the ball stop.
8. Connect incoming air supply.

▲ WARNING: The reel is under tension so use caution so that the reel's latching mechanism does not release while adjusting the tension.

HOSE REPLACEMENT

1. Disconnect the air supply and remove the leader hose from the hose reel.
2. Remove the 2 piece ball stop by removing the 2 phillips head screws, washers and nuts. Set aside.
3. Carefully pull all of the air hose from the hose reel until the clamp that holds the hose to the hose reel drum is visible then make sure the hose reel is locked

▲ WARNING: The reel is under tension so do not turn the hose reel drum or pull on the hose while it is locked.

4. Remove the hose clamps (O) and set aside.
5. Carefully disconnect the hose end (K) from the side of the hose reel and remove the old hose.
6. Remove the hose protection spring (L) from the old hose. Place the protection spring (L) on the new hose and then feed the hose through slot on the drum (M).
7. Apply thread seal tape to the hose threads and connect to the hose reel (K) then tighten.
8. Attach the hose to the inside of the drum with the hose clamp. Make sure the hose has a wide curve (N) to it and is not kinked before tightening the hose clamp.
9. Make sure the hose protector spring (L) is in the correct location (reference Figure 3).
10. Pull the hose to unlock and slowly rewind the air hose. Do not let go of the hose.

11. Re-attach the ball stop to the desired location on the hose.
12. Reconnect the lead-in hose to the hose reel and turn on the air supply. Check all connections to make sure there are no leaks.

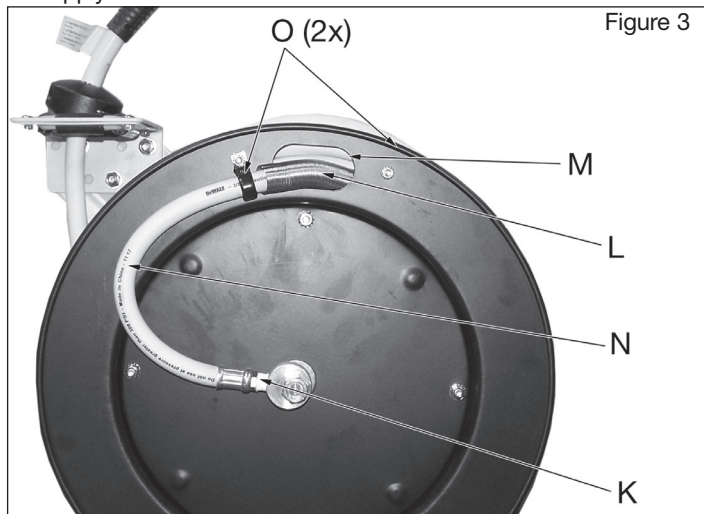


Figure 3

SERVICE INFORMATION

Please have the following information available for all service calls:
 Model Number _____
 Date and Place of Purchase _____

FREE WARNING LABEL REPLACEMENT: If your warning labels become illegible or are missing, call 1-800-4-DEWALT for a free replacement.



WARRANTY

ONE YEAR LIMITED WARRANTY: DEWALT Industrial Tools (the Company) warrants that for a period of twelve (12) months from the date of purchase, it will replace or repair, free of charge, for the original retail purchaser only, any part or parts, manufactured by the Company, found upon examination by the Company or its assigned representatives, to be defective in material or workmanship or both. All transportation charges for parts submitted for replacement or repair under this warranty must be borne by the original retail purchaser. This is the exclusive remedy under this warranty.

Failure by the original retail purchaser to install, maintain and

operate said equipment in accordance with good industry practices, or failure to comply with the specific recommendations of the Company set forth in the owner's manual, shall render this warranty null and void. The Company shall not be liable for any repairs, replacements, or adjustments to the equipment or any costs for labor performed by the purchaser without the Company's prior written approval. The effects of corrosion, erosion and normal wear and tear are specifically excluded from this warranty.

THE COMPANY MAKES NO OTHER WARRANTY OR REPRESENTATION OF ANY KIND WHATSOEVER, EXPRESSED OR IMPLIED EXCEPT THAT OF TITLE. ALL IMPLIED WARRANTIES, INCLUDING ANY WARRANTY OF MERCHANTABILITY AND FITNESS FOR PARTICULAR PURPOSE ARE HEREBY DISCLAIMED. LIABILITY FOR CONSEQUENTIAL AND INCIDENTAL DAMAGES UNDER ANY AND ALL WARRANTIES, OTHER CONTRACTS, NEGLIGENCE, OR OTHER SORTS IS EXCLUDED TO THE EXTENT EXCLUSION IS PERMITTED BY LAW.

Notwithstanding the above, any legal claim against the Company shall be barred if legal action thereon is not commenced within twenty-four (24) months from the date of purchase or delivery whichever occurs last. This warranty constitutes the entire agreement between the Company and the original retail purchaser and no representative or agent is authorized to alter the terms of same without expressed written consent of the Company.

DXCM024-0374 Enrouleur de tuyaux pneumatique

- A. Sortie d'air (vers outil/accessoire pneumatique)
- B. Limiteur de courbure
- C. Butée sphérique
- D. Support cylindrique de guide tuyau
- E. Bras de guide tuyau
- F. Tambour d'enrouleur de tuyaux
- G. Support de fixation
- H. Tuyau pneumatique
- I. Admission d'air (depuis le compresseur)
- J. Tuyau pneumatique d'alimentation

Spécifications

MODÈLE	DXCM024-0374
POIDS NET	37 lbs. (16,8 kg)
ADMISSION D'AIR	1/4" NPT (6,3 mm) (female/hembra/femelle)
TYPE DE TUYAU PNEUMATIQUE	Rubber
TAILLE DU TUYAU PNEUMATIQUE	3/8" (9,5 mm)
PRESSIION OPÉRATIONNELLE MAXIMALE DU TUYAU	300 PSI (2,068 kPa)
LONGUEUR DU TUYAU PNEUMATIQUE	50' (15,2 m)



Définitions : lignes directrices en matière de sécurité

Les définitions ci-dessous décrivent le niveau de gravité pour chaque symbole. Veuillez lire le mode d'emploi et porter une attention particulière à ces symboles.

▲DANGER : Indique une situation dangereuse imminente qui, si elle n'est pas évitée, causera la mort ou des blessures graves.

▲AVERTISSEMENT : Indique une situation potentiellement dangereuse qui, si elle n'est pas évitée, pourrait se solder par un décès ou des blessures graves.

▲ATTENTION : Indique une situation potentiellement dangereuse qui, si elle n'est pas évitée pourrait se solder par des blessures mineures ou modérées.

AVIS : Indique une pratique ne posant **aucun risque de dommages corporels** mais qui par contre, si rien n'est fait pour l'éviter, **pourrait** poser des **risques de dommages matériels**.

SI VOUS AVEZ DES QUESTIONS OU DES COMMENTAIRES SUR CE PRODUIT OU TOUT AUTRE OUTIL DeWALT, APPELEZ-NOUS GRATUITEMENT AU: **1-800-4-DeWALT (1-800-433-9258)**

Consignes de sécurité importantes

▲AVERTISSEMENT: certaines poussières qui se forment lors du ponçage mécanique, du sciage, de l'affûtage, du fraisage ou d'autres activités de construction contiennent des produits chimiques qui, selon l'État de Californie, peuvent provoquer des cancers, des malformations à la naissance ou d'autres problèmes de reproduction. Voici certains exemples de ces produits chimiques:

- Le plomb provenant des peintures à base de plomb
- La silice cristalline provenant des briques, du ciment et

d'autres produits de maçonnerie

- L'arsenic et le chrome provenant du bois traité chimiquement

Le risque d'exposition dépend de la fréquence à laquelle vous effectuez ce genre de tâches. Afin de réduire l'exposition à ces produits chimiques: travaillez dans un environnement ventilé en portant un équipement de sécurité adéquat, et portez toujours un équipement approuvé par les institutions **OSHA/MSHA/NIOSH**, ainsi qu'un masque facial ou un respirateur à votre taille lorsque vous utilisez ces outils. Lorsque vous utilisez des outils pneumatiques, respectez en permanence les mesures de sécurité élémentaires afin de réduire le risque de dommages corporels.

▲AVERTISSEMENT: CONTIENT DU PLOMB. Peut être nocif s'il est ingéré ou mâché. Peut générer de la poussière contenant du plomb. Se laver les mains après usage. Garder hors de la portée des enfants.

▲AVERTISSEMENT: Ce produit pourrait vous exposer à des produits chimiques, y compris Plomb et Mercure (inorganique), reconnus par l'État de Californie comme causes de cancer, malformations congénitales ou autres problèmes du système de reproduction. Pour obtenir plus d'information, visitez www.P65Warnings.ca.gov.

CONSERVEZ CES INSTRUCTIONS

▲AVERTISSEMENT



Toute mauvaise utilisation ou maintenance de ce produit peut entraîner des blessures graves et des dégâts matériels. Lisez attentivement les avertissements et le mode d'emploi avant d'utiliser cet équipement. Lorsque vous utilisez des outils pneumatiques, respectez en permanence les mesures de sécurité élémentaires afin de réduire le risque de dommages corporels.

▲ VERTISSEMENT

Lisez attentivement ce mode d'emploi et les étiquettes des outils avant d'installer, d'utiliser ou d'entretenir cet enrouleur de tuyaux. Conservez ces instructions dans un endroit sûr et accessible.



Les opérateurs et autres personnes présentes dans la zone de travail doivent porter des lunettes de sécurité conformes à l'ANSI Z87.1 CAN/CSA Z94.3 avec protections latérales.



Les opérateurs et autres personnes présentes dans la zone de travail doivent porter des protections auditives.

▲ AVERTISSEMENT:

- N'utilisez jamais d'oxygène ou de gaz réactifs. Cela pourrait provoquer une explosion.
- La pression de l'air ne doit jamais dépasser les 300 psi (20 bar).
- Lisez attentivement tous les manuels inclus avec ce produit. Familiarisez-vous avec les commandes et apprenez à utiliser cet équipement correctement.
- Ne dépassez jamais la pression nominale d'un composant du système.
- Déconnectez l'outil pneumatique de l'alimentation en air avant de changer les outils ou les accessoires et lorsqu'il est à l'arrêt.
- Utilisez toujours des accessoires conçus pour être utilisés avec des outils pneumatiques.
- N'utilisez jamais d'accessoires usés ou endommagés.
- Contrôlez les tuyaux pneumatiques avant chaque utilisation afin de vous assurer qu'ils ne sont ni usés ni endommagés. Assurez-vous que tous les raccordements sont sécurisés.
- Assurez-vous que les écrous, les boulons et les vis sont bien serré(s) et que l'équipement fonctionne dans des conditions

de travail sûres.

**▲ DANGER: RISQUE D'EXPLOSION OU D'INCENDIE****CE QUI PEUT SE PRODUIRE**

- Dépassez la pression nominale maximale des accessoires peut provoquer une explosion et entraîner des blessures graves.

COMMENT L'EMPÊCHER

- Utilisez de l'air comprimé régulé à une pression maximale inférieure ou égale à la pression nominale de chaque accessoire.

**▲ DANGER: RISQUE DE DIFFICULTÉS RESPIRATOIRES (ASPHYXIE)****CE QUI PEUT SE PRODUIRE**

- Des outils abrasifs, comme des meuleuses, des ponceuses et des outils de coupe peuvent produire de la poussière et des matériaux abrasifs qui peuvent être dangereux pour les poumons et le système respiratoire.

COMMENT L'EMPÊCHER

- Portez toujours un équipement approuvé par la MSHA/NIOSH, ainsi qu'un masque facial ou un respirateur à votre taille lorsque vous utilisez ces outils.

**▲ ATTENTION: RISQUE ASSOCIÉ AU BRUIT**

CE QUI PEUT SE PRODUIRE

- Une exposition prolongée aux bruits produits par des outils pneumatiques en fonctionnement peut entraîner une perte de l'audition permanente.



⚠ AVERTISSEMENT: RISQUE DE PROJECTION

CE QUI PEUT SE PRODUIRE

- Les équipements et outils pneumatiques peuvent propulser des matériaux comme des copeaux métalliques, de la sciure et d'autres débris à une vitesse élevée, ce qui peut provoquer des graves blessures oculaires.
- L'air comprimé peut s'avérer dangereux. Le flux d'air peut provoquer des blessures au niveau des tissus mous comme les yeux, les oreilles, etc. Les particules et les objets propulsés par le flux d'air peuvent entraîner des blessures.

COMMENT L'EMPÊCHER

- Portez toujours des protections auditives conformes à l'ANSI (S3.19).

COMMENT L'EMPÊCHER

- Portez toujours des lunettes de sécurité conformes à l'ANSI Z87.1 CAN/CSA Z94.3 avec protections latérales.
- Ne laissez jamais un outil en fonctionnement sans surveillance. Déconnectez le tuyau pneumatique lorsque l'outil est à l'arrêt.
- Pour être mieux protégé, utilisez un masque de protection approuvé en plus des lunettes de sécurité.



⚠ ATTENTION: RISQUÉ DE BLESSURE

CE QUI PEUT SE PRODUIRE

- Les outils électriques peuvent lancer des matériaux dans toute la zone de travail.

COMMENT L'EMPÊCHER

- Keep work area clean and free
Conserver la zone de travail propre et en bon ordre. Éloigner les enfants et autrui de la zone de travail durant l'utilisation de l'outil.
- Conserver les lieux bien illuminés.
- Utiliser de l'air comprimé réglé à une pression maximale près ou au-dessous de la pression nominale des accessoires.
- Ne jamais utiliser de gaz oxygène, de dioxyde de carbone ou autres gaz en bouteille comme source d'énergie pour les outils pneumatiques.
- Protégez les conduits d'air des dommages et des perforations.
- Vérifiez les boyaux d'air en cas d'usure ou de détérioration avant chaque emploi. S'assurer que tous les raccords sont bien branchés.

CONSERVEZ CES INSTRUCTIONS POUR UNE FUTURE UTILISATION

FONCTIONNALITÉS

ADMISSION D'AIR

L'admission d'air (I) mesure 1/4" (0,6 cm) NPT et est située sur le côté de l'enrouleur de tuyaux.

SUPPORT DE FIXATION

Le support de fixation (G) est une plaque de métal laqué qui peut être facilement fixée sur un mur, au plafond ou au sol.

TUYAU PNEUMATIQUE D'ALIMENTATION

Le tuyau d'alimentation (J) mesure 3/8" (0,9 cm) x 4' (1,2 m) de long et est équipé d'un raccord pivotant sur l'une de ses extrémités afin d'éviter que le tuyau ne se torde ou ne s'emmêle. Il se connecte à l'admission d'air (I)

SORTIE D'AIR

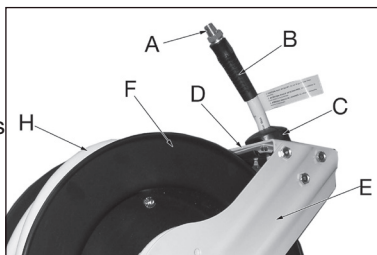
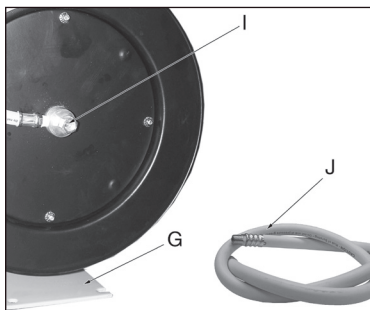
La sortie d'air (A) mesure 1/4" (0,6 cm) NPT et est située à l'extrémité du tuyau pneumatique (H) pour être facilement connectée aux outils et accessoires pneumatiques.

TUYAU PNEUMATIQUE

Le tuyau pneumatique (H) mesure 3/8" (0,9 cm) x 50' (15 m) et est attaché à l'enrouleur de tuyaux.

BUTÉE SPHÉRIQUE

La butée sphérique (C) est réglable et permet de dérouler la longueur de tuyau souhaitée de façon permanente.

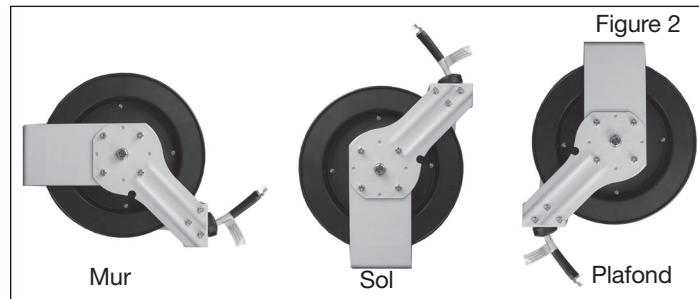


LIMITEUR DE COURBURE

Le limiteur de courbure (B) réduit la tension provoquée par le pliage du tuyau au niveau du raccord, ce qui permet d'éviter les dommages et de prolonger la durée de vie du tuyau (H).

INSTALLATION

1. Choisissez un emplacement de fixation ne présentant aucun câble électrique ou autre obstacle, et suffisamment robuste pour supporter le poids de l'enrouleur et du tuyau, ainsi que la force exercée lorsqu'il est étendu et rétracté. L'enrouleur de tuyaux peut être fixé sur le sol, au plafond ou sur un mur (voir Figure 2).



2. Utilisez le gabarit de fixation inclus afin de marquer l'emplacement des trous et de percer à ces endroits.
3. Fixez l'enrouleur de tuyaux à l'emplacement souhaité. Achetez les éléments de fixation adéquats dans votre magasin de bricolage. Les différentes positions de fixation requièrent différents types d'équipements.
4. Si vous souhaitez augmenter ou réduire la longueur du tuyau située à l'extérieur de l'enrouleur, tirez doucement sur le tuyau

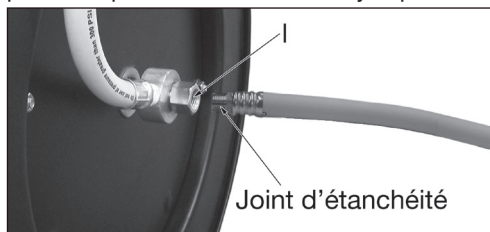
jusqu'à ce qu'il soit verrouillé à la longueur souhaitée. Desserrez les boulons de la butée sphérique (C) et faites-la glisser pour la rapprocher du support cylindrique du guide tuyau (D). Resserrez les boulons de la butée sphérique. Ne serrez pas les boulons de manière excessive.

▲AVERTISSEMENT:

- 1) Assurez-vous que l'enrouleur est bien fixé avant chaque utilisation.
- 2) Ne le connectez jamais à une source d'alimentation en air dont la pression est supérieure à 300 psi (20 bar).
- 3) Inspectez le tuyau pneumatique avant chaque utilisation afin de vous assurer qu'il ne présente aucune fuite.
- 4) N'enroulez jamais le tuyau autour d'une partie de votre corps.

BRANCHEMENT DU COMPRESSEUR

L'enrouleur de tuyaux est accompagné d'un tuyau d'alimentation 3/8" (0,9 cm) x 4' (1,2 m) pour le connecter à une source d'alimentation en air. Appliquez le ruban de téflon aux filetages mâles du tuyau d'alimentation, puis insérez l'extrémité non pivotante dans l'admission d'air du tuyau (I). Connectez l'autre extrémité à votre source d'alimentation en air. Attachez l'outil ou accessoire pneumatique à la sortie d'air du tuyau pneumatique de l'enrouleur.



UTILISATION

Assurez-vous du bon fonctionnement de l'enrouleur en tirant doucement sur le tuyau. Vous entendrez un cliquètement.

VERROUILLER L'ENROULEUR

Tirez doucement sur le tuyau jusqu'à atteindre la longueur souhaitée, puis laissez-le se rétracter après la série de cliquètements.

DÉVERROUILLER L'ENROULEUR

Tirez doucement sur le tuyau jusqu'à ce que le cliquètement s'arrête, puis laissez-le se rétracter jusqu'à ce que la butée sphérique soit bloquée par le support cylindrique du guide tuyau. **NE LÂCHEZ JAMAIS LE TUYAU!**

▲AVERTISSEMENT: risque de blessure. Ne lâchez jamais le tuyau lorsqu'il se rétracte.

▲AVERTISSEMENT: déconnectez toujours l'outil ou accessoire pneumatique attaché à l'enrouleur de l'alimentation en air avant d'effectuer des réglages ou de changer d'accessoire.

RÉGLER LA TENSION DE REcul

1. Déconnectez l'alimentation en air de l'enrouleur de tuyaux.
2. Tirez sur le tuyau pneumatique sur environ 50 centimètres, puis verrouillez-le (voir Verrouiller l'enrouleur).
3. Retirez la butée sphérique en deux parties en retirant les 2 vis cruciformes, les rondelles et les écrous.
4. Ramenez le tuyau vers l'arrière en le faisant passer par le support cylindrique du guide tuyau (**remarque: le tambour de l'enrouleur doit toujours rester verrouillé**).
5. Pour **augmenter** la tension, enroulez le tuyau une fois autour du tambour.
6. Pour **diminuer** la tension, déroulez le tuyau une fois.

- Faites repasser le tuyau par le support cylindrique du guide tuyau, puis tirez dessus pour vérifier la tension. Réinstallez la butée sphérique.
- Connectez l'alimentation en air.

⚠ AVERTISSEMENT: étant donné que l'enrouleur est tendu, soyez prudent et assurez-vous que le mécanisme de verrouillage ne se relâche pas pendant que vous réglez la tension.

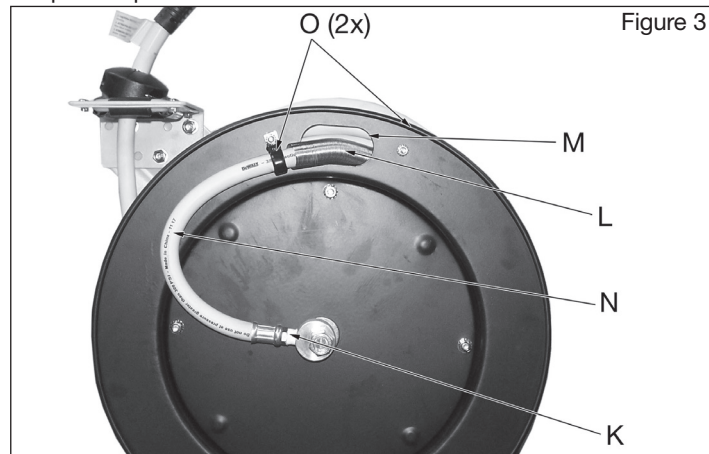
REEMPLACER LE TUYAU

- Déconnectez l'alimentation en air et retirez le tuyau d'alimentation de l'enrouleur.
- Retirez la butée sphérique en deux parties en retirant les 2 vis cruciformes, les rondelles et les écrous. Mettez ces éléments de côté.
- Tirez délicatement sur le tuyau pneumatique pour le sortir complètement de l'enrouleur jusqu'à ce que le collier qui relie le tuyau au tambour de l'enrouleur soit visible, puis assurez-vous que l'enrouleur est bien verrouillé.

⚠ AVERTISSEMENT: étant donné que l'enrouleur est sous tension, assurez-vous de ne pas tourner le tambour de l'enrouleur ou de ne pas tirer sur le tuyau tant qu'il est verrouillé.

- Retirez le colliers de tuyaux (O) et mettez-le de côté.
- Déconnectez délicatement l'extrémité du tuyau (K) du côté de l'enrouleur, puis retirez le tuyau à remplacer.
- Retirez le ressort de protection (L) du tuyau. Installez le ressort de protection (L) sur le nouveau tuyau et faites passer le tuyau par le support cylindrique du tuyau, puis dans l'encoche située dans le tambour (M).
- Appliquez un joint d'étanchéité sur les filetages du tuyau, connectez le tuyau à l'enrouleur (K), puis serrez-le.

- Attachez le tuyau à l'intérieur du tambour à l'aide du collier de serrage. Avant de serrer le collier, faites en sorte que le tuyau ait une courbe large (N) et qu'il ne présente aucun nœud.
- Assurez-vous que le ressort de protection du tuyau (L) a été placé au bon endroit (voir Figure 3).
- Tirez sur le tuyau pneumatique pour déverrouiller l'enrouleur, puis rembobinez-le lentement. Ne lâchez jamais le tuyau.
- Attachez de nouveau la butée sphérique à l'emplacement souhaité sur le tuyau.
- Reconnectez le tuyau d'alimentation à l'enrouleur, puis activez l'alimentation en air. Inspectez tous les raccords pour vérifier qu'ils ne présentent aucune fuite.



RENSEIGNEMENTS POUR L'ENTRETIEN

Merci de communiquer les renseignements suivants lors de chaque appel au service clientèle:

Numéro du modèle _____

Date et lieu d'achat _____

REMPLACEMENT GRATUIT DES ÉTIQUETTES

D'AVERTISSEMENT: si vous perdez vos étiquettes d'avertissement ou qu'elles deviennent illisibles, appelez le 1-800-4-DEWALT pour les remplacer gratuitement.



GARANTIE

GARANTIE LIMITÉE D'UN AN: DEWALT Industrial Tools (la Société) s'engage, pendant une période de douze (12) mois à compter de la date d'achat, à remplacer ou à réparer gratuitement, pour l'acheteur d'origine uniquement, toute pièce fabriquée par la Société qui, après examen de la Société ou de ses représentants légaux, s'avérerait défectueuse en raison d'un vice de matière, de fabrication, ou les deux. Tous les frais de transport induits par un remplacement ou une réparation de pièce en vertu de la présente garantie devront être pris en charge par l'acheteur d'origine. Il s'agit du seul recours possible en vertu

de la présente garantie.

L'incapacité de l'acheteur d'origine à installer, entretenir et utiliser ledit équipement conformément aux bonnes pratiques de l'industrie, ou son incapacité à respecter les recommandations spécifiques de la Société établies dans le manuel du propriétaire annulera les termes de la présente garantie. La Société rejette toute responsabilité pour les réparations, remplacements ou ajustements à l'équipement ou pour tous coûts reliés au travail effectué sur l'équipement par l'acheteur sans l'autorisation préalable écrite de la Société. La corrosion, l'érosion, ainsi que l'usure et les fissures normales sont expressément exclues de la présente garantie.

LA SOCIÉTÉ N'OFFRE AUCUNE AUTRE GARANTIE, NI REPRÉSENTATION DE QUELQUE SORTE QUE CE SOIT, EXPRESSE OU IMPLICITE, EXCEPTION FAITE DE LA PROPRIÉTÉ. TOUTES LES GARANTIES IMPLICITES SONT REJETÉES PAR LA PRÉSENTE, EN PARTICULIER TOUTES LES GARANTIES DE COMMERCIALISATION ET D'ADÉQUATION À UN USAGE PARTICULIER. TOUTE RESPONSABILITÉ POUR DES DOMMAGES INDIRECTS EN VERTU D'UNE OU DE TOUTES LES GARANTIES, D'AUTRES CONTRATS, DE LA NÉGLIGENCE OU D'AUTRES DÉLITS CIVILS EST EXCLUE CONFORMÉMENT AUX CLAUSES D'EXCLUSION AUTORISÉES PAR LA LOI.

Nonobstant ce qui précède, toute revendication légale à l'encontre de la Société sera impossible si l'action légale en question débute plus de vingt-quatre (24) mois après la date d'achat ou de livraison, selon ce qui survient en dernier. La présente garantie constitue l'intégralité de l'accord entre la Société et l'acheteur d'origine, et aucun représentant ou agent n'est autorisé à modifier les termes de la présente sans l'autorisation écrite expresse de la Société.

Carrete de manguera de aire DXCM024-0374

- A. Salida de la línea de aire (hacia la herramienta/el accesorio de aire)
- B. Limitador de flexión de la manguera
- C. Retén de bola
- D. Soporte del rodillo guía de la manguera
- E. Brazo guía de la manguera
- F. Tambor del carrete de manguera
- G. Soporte de montaje
- H. Manguera de aire
- I. Entrada de línea de aire (del compresor)
- J. Manguera de aire de entrada

Especificaciones

MODELO	DXCM024-0374
PESO NETO	37 lbs. (16,8 kg)
ENTRADA DE AIRE	1/4" NPT (6,3 mm) (female/hembra/femelle)
TIPO DE MANGUERA DE AIRE	Rubber
TAMAÑO DE LA MANGUERA DE AIRE	3/8" (9,5 mm)
PRESIÓN MÁXIMA DE OPERACIÓN DE LA MANGUERA	300 PSI (2,068 kPa)
LONGITUD DE LA MANGUERA DE AIRE	50' (15,2 m)



Definiciones: Normas de seguridad

Las siguientes definiciones describen el nivel de gravedad de cada advertencia. Lea el manual y preste atención a estos símbolos.

▲ PELIGRO: Indica una situación de peligro inminente que, si no se evita, provocará la muerte o lesiones graves.

▲ ADVERTENCIA: Indica una situación de peligro potencial que, si no se evita, podría provocar la muerte o lesiones graves.

▲ ATENCIÓN: Indica una situación de peligro potencial que, si no se evita, puede provocar lesiones leves o moderadas.

AVISO: Se refiere a una práctica no relacionada a lesiones corporales que de no evitarse puede resultar en daños a la propiedad.

SI TIENE PREGUNTAS O COMENTARIOS ACERCA DE ESTA O DE CUALQUIER OTRA HERRAMIENTA DEWALT, LLÁMENOS AL NÚMERO GRATUITO: 1-800-4-DEWALT (1-800-433-9258).

Instrucciones de seguridad importantes

▲ ADVERTENCIA: Algunos polvos que se producen al lijar, cortar, esmerilar o perforar con herramientas eléctricas, así como en otras actividades de construcción, contienen químicos que el estado de California sabe que provocan cáncer, defectos congénitos u otros daños al aparato reproductor. Algunos ejemplos de estos químicos son:

- plomo en las pinturas a base de plomo;
- sílice cristalino en los ladrillos, el cemento y en otros productos de mampostería;
- arsénico y cromo en la madera tratada con químicos.

El riesgo de estas exposiciones varía en función de la frecuencia con la que se realice este tipo de trabajo. Para

reducir la exposición a estos químicos, cuando utilice dichas herramientas: trabaje en un área bien ventilada, utilice equipo de seguridad aprobado y use siempre una máscara o un respirador que se ajusten correctamente y que estén aprobados por la Administración de Seguridad y Salud Ocupacional (Occupational Safety and Health Administration, OSHA)/la Administración de Seguridad y Salud de Minas (Mine Safety and Health Administration, MSHA)/el Instituto Nacional de Seguridad y Salud Ocupacional (National Institute for Occupational Safety and Health, NIOSH). Al usar herramientas de aire, siempre se deben seguir precauciones de seguridad básicas para reducir el riesgo de sufrir lesiones personales.

▲ ADVERTENCIA: CONTIENE PLOMO. Puede ser dañino si se ingiere o se mastica. Puede generar polvo que contenga plomo. Lávese las manos después del uso. Manténgalo fuera del alcance de los niños.

▲ ADVERTENCIA: Este producto le podría exponer a productos químicos incluyendo Plomo y Mercurio (inorgánico), reconocidos por el Estado de California como causantes de cáncer, defectos de nacimiento u otros daños del sistema reproductivo. Para obtener más información, visite www.P65Warnings.ca.gov.

CONSERVE ESTAS INSTRUCCIONES

▲ ADVERTENCIA:



La operación o el mantenimiento incorrectos de este producto podrían provocar lesiones graves y daños materiales. Lea todas las advertencias e instrucciones de operación antes de usar este equipo, y asegúrese de entenderlas. Al usar herramientas de aire, siempre se deben seguir precauciones de seguridad básicas para reducir el riesgo de sufrir lesiones personales.

⚠ ADVERTENCIA:

Antes de instalar, operar o dar servicio a este carrete de manguera, lea este manual de instrucciones y las etiquetas de la herramienta, y asegúrese de entenderlas. Mantenga estas instrucciones en un lugar seguro y accesible.



Los operadores y el personal presentes en el área de trabajo deben usar gafas de seguridad, con protectores laterales, aprobadas según los estándares ANSI Z87.1 y CAN/CSA Z94.3.



Los operadores y el personal presentes en el área de trabajo deben usar protección para los ojos.

⚠ ADVERTENCIA:

- No use oxígeno ni gases reactivos; se podría producir una explosión.
- No supere una presión de aire de 300 PSI.
- Lea detenidamente todos los manuales que se incluyen con este producto. Familiarícese bien con los controles y el uso correcto del equipo.
- No supere las capacidades nominales de presión de los componentes del sistema.
- Desconecte la herramienta de aire del suministro de aire antes de cambiar herramientas o accesorios, y cuando no se esté usando.
- Siempre use accesorios diseñados para usarse con herramientas neumáticas.
- No use accesorios dañados o desgastados.
- Revise las mangueras de aire en busca de condiciones de desgaste o debilitamiento antes de cada uso. Confirme que todas las conexiones estén bien aseguradas.

- Mantenga todas las tuercas, los pernos y los tornillos apretados y asegúrese de que el equipo esté en condiciones de funcionamiento seguro.

**⚠ PELIGRO: RIESGO DE EXPLOSIÓN O INCENDIO****LO QUE PUEDE OCURRIR**

- Superar la capacidad nominal de presión máxima de los accesorios de herramientas podría provocar una explosión que ocasione lesiones graves.

CÓMO EVITARLO

- Use aire comprimido regulado a una presión máxima igual o menor a la presión nominal de los accesorios.

**⚠ PELIGRO: RIESGO PARA LA RESPIRACIÓN (ASFIXIA)****LO QUE PUEDE OCURRIR**

- Las herramientas abrasivas, como las esmeriladoras, las lijadoras y las herramientas de corte producen polvo y materiales abrasivos que pueden ser dañinos para los pulmones y el sistema respiratorio humano.

CÓMO EVITARLO

- Cuando utilice dichas herramientas, use siempre una máscara o un respirador que se ajusten correctamente y que estén aprobados por la MSHA/el NIOSH.

**⚠ PRECAUCIÓN: RIESGO POR RUIDO**

LO QUE PUEDE OCURRIR

- La exposición al ruido a largo plazo que se produce con la operación de herramientas de aire puede provocar pérdida auditiva permanente.



▲ ADVERTENCIA: RIESGO DE OBJETOS QUE SALEN DISPARADOS

LO QUE PUEDE OCURRIR

- El equipo neumático y las herramientas eléctricas pueden lanzar materiales como virutas metálicas, serrín y otros residuos a alta velocidad, lo que podría provocar lesiones oculares graves.
- El aire comprimido puede ser peligroso. El chorro de aire puede provocar lesiones en áreas de tejido blando como los ojos, los oídos, etc. Las partículas o los objetos que lanza el chorro pueden provocar lesiones.

CÓMO EVITARLO

- Siempre use protección auditiva según los estándares ANSI (S3.19).

CÓMO EVITARLO

- Siempre use gafas de seguridad, con protectores laterales, aprobadas según los estándares ANSI Z87.1 y CAN/CSA Z94.3.
- Nunca deje herramienta funcionando sin supervisión. Desconecte la manguera de aire cuando no se esté usando la herramienta.
- Para mayor protección, use un protector facial además de las gafas de seguridad.



▲ ADVERTENCIA: RIESGO DE RIESGO DE LESIÓN

LO QUE PUEDE OCURRIR

- Las herramientas neumáticas pueden despedir objetos flojos u otros materiales en el área de trabajo.
- El exceder la clasificación máxima presión de la herramienta o de los accesorios podrá causar una explosión resultando en lesiones graves.

CÓMO EVITARLO

- Mantenga el área de trabajo limpia y libre de obstrucciones. Mantenga a los niños y otros alejados del área de trabajo mientras opera la herramienta
- Mantenga el área bien alumbrada.
- Use aire comprimido regulado a la presión máxima o por debajo de la clasificación de presión de cualquier accesorio.
- Nunca use oxígeno, dióxido de carbono u otro gas embotellado como fuente de energía para las herramientas neumáticas.
- Proteja la manguera de aire de daños y perforaciones.
- Revise las mangueras de aire para ver si están desgastadas o débiles antes de cada uso. Asegúrese de que todas las conexiones estén seguras.

CONSERVE ESTAS INSTRUCCIONES PARA USARLAS EN EL FUTURO

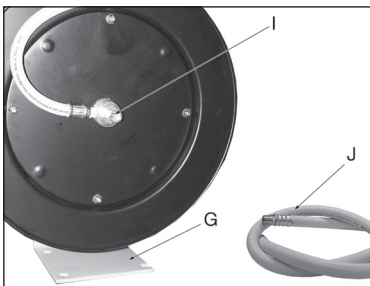
CARACTERÍSTICAS

ENTRADA DE LÍNEA DE AIRE

La entrada de línea de aire (I) tiene rosca NPT de 1/4" y se encuentra en el lado del carrete de manguera.

SOPORTE DE MONTAJE

El soporte de montaje (G) es una placa metálica con pintura en polvo que se puede montar fácilmente en una pared, un techo o un piso.

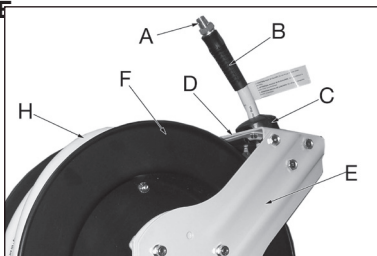


MANGUERA DE AIRE DE ENTRADA

La manguera de entrada (J) es de 3/8" x 4 ft de largo y tiene una conexión pivotante en un extremo para evitar que la manguera se retuerza. Se conecta a la entrada de línea de aire (I).

SALIDA DE LA LÍNEA DE AIRE

La salida de la línea de aire (A) tiene rosca NPT de 1/4" y se encuentra en el extremo de la manguera de aire (H) para una conexión conveniente de los accesorios o las herramientas de aire.



MANGUERA DE AIRE

La manguera de aire (H) es de 3/8" x 50 ft y está conectada al carrete de manguera.

RETÉN DE BOLA

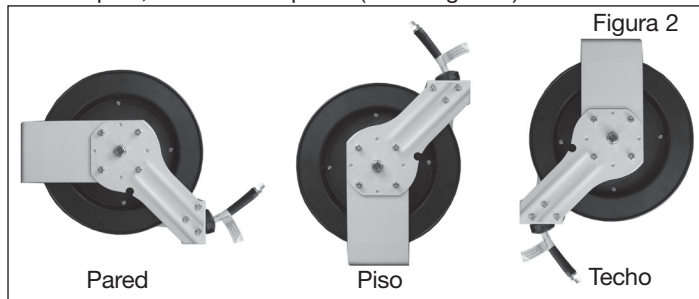
El retén de bola (C) es ajustable y permite guardar de forma permanente la longitud de manguera deseada fuera del carrete de manguera.

LIMITADOR DE FLEXIÓN DE LA MANGUERA

El limitador de la manguera (B) reduce la tensión de flexión cerca del accesorio, lo que previene los daños y alarga la vida útil de la manguera (H).

INSTALACIÓN

1. Elija un lugar de montaje que esté libre de cableado eléctrico u otras obstrucciones y que sea lo suficientemente resistente para soportar el peso del carrete de manguera y de la manguera, así como la fuerza que se usa para desenrollar la manguera y retraerla. El carrete de manguera se puede montar en el piso, el techo o la pared (vea la figura 2).



2. Use la plantilla de montaje incluida para marcar y perforar los lugares de los orificios.
3. Monte el carrete de manguera en el lugar deseado. Compre los sujetadores adecuados en su ferretería local. Necesitará distintos tipos de material para cada posición de montaje.
4. Si es necesario hacer un ajuste para aumentar o disminuir la longitud de la manguera que sale del carrete de manguera, jale la manguera lentamente hasta que se trabaje a la longitud deseada. Afloje los pernos del retén de bola (C) y deslice el retén

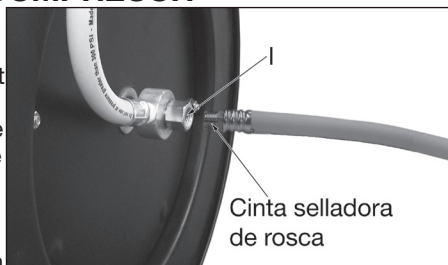
de la manguera hasta una posición cercana al soporte del rodillo guía de la manguera (D). Vuelva a apretar los pernos del retén de bola. No apriete excesivamente los pernos.

⚠ ADVERTENCIA:

- 1) *Asegúrese de que el carrete de manguera esté seguro antes de cada uso.*
- 2) *Nunca lo conecte a una fuente de aire que tenga más de 300 PSI.*
- 3) *Inspeccione la manguera de aire antes de cada uso para asegurarse de que no tenga fugas.*
- 4) *No enrolle la manguera en ninguna parte del cuerpo.*

CONEXIÓN AL COMPRESOR

El carrete de manguera incluye una manguera de entrada de 3/8" x 4 ft para conectar el carrete de manguera a la fuente de aire. Aplique cinta de teflón a la rosca exterior de la manguera de entrada y enrosque el extremo no pivotante en la entrada de la manguera de aire (I). Enrosque y conecte el otro extremo a la fuente de aire. Conecte la herramienta o el accesorio de aire a la salida de aire de la manguera de aire en el carrete de manguera.



FUNCIONAMIENTO

Revise el funcionamiento del carrete jalando lentamente la manguera para desenrollarla. Oirá un chasquido.

CÓMO TRABAR EL CARRETE DE MANGUERA

Jale la manguera lentamente para desenrollarla hasta alcanzar la longitud deseada de manguera, deje que se retraiga después de que oiga una serie de chasquidos.

CÓMO DESTRABAR EL CARRETE DE MANGUERA

Jale la manguera lentamente para desenrollarla hasta que se detenga el ruido de chasquido, deje que se retraiga hasta que el retén de bola descansa sobre el soporte del rodillo guía de la manguera. **¡NO SUELTE POR COMPLETO LA MANGUERA!**

⚠ ADVERTENCIA: Riesgo de lesiones. No suelte por completo la manguera al dejar que se retraiga.

⚠ ADVERTENCIA: Siempre desconecte la herramienta o el accesorio de aire que esté conectado al carrete de manguera del suministro de aire antes de hacer cualquier ajuste o de cambiar accesorios.

CÓMO AJUSTAR LA TENSIÓN DE REBOBINADO

1. Desconecte el suministro de aire del carrete de manguera.
2. Desenrolle unos 60 cm de manguera de aire y trábela en su sitio (consulte "Cómo trabar el carrete de manguera").
3. Retire el retén de bola de 2 piezas: saque los 2 tornillos de cabeza Phillips, las arandelas y las tuercas.
4. Vuelva a meter la manguera por el soporte del rodillo guía de la manguera. **(Nota: Mantenga el tambor del carrete de manguera trabado en todo momento).**
5. Para **aumentar** la tensión, enrolle la manguera en el tambor una vez.
6. Para **disminuir** la tensión, desenrolle la manguera del tambor una vez.
7. Meta la manguera por el soporte del rodillo guía de la manguera y desenrolle la manguera del carrete de manguera para verificar

la tensión. Vuelva a instalar el retén de bola.

8. Conecte el suministro de aire de entrada.

⚠ADVERTENCIA: *El carrete se encuentra bajo tensión, así que tenga cuidado de que el mecanismo de traba del carrete no se suelte mientras ajusta la tensión.*

REEMPLAZO DE LA MANGUERA

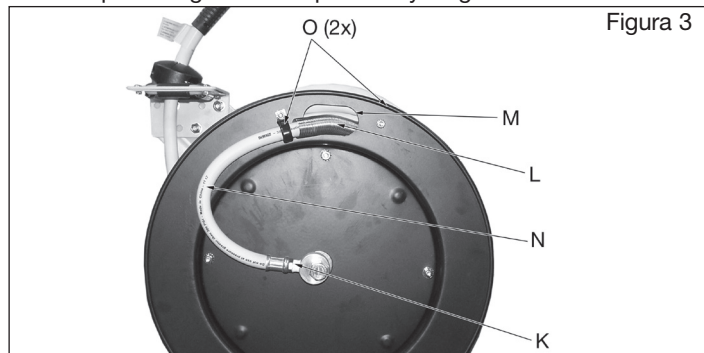
1. Desconecte el suministro de aire y retire la manguera guía del carrete de manguera.
2. Retire el retén de bola de 2 piezas: saque los 2 tornillos de cabeza Phillips, las arandelas y las tuercas. Colóquelo a un lado.
3. Desenrolle con cuidado toda la manguera de aire del carrete de manguera hasta que pueda ver la abrazadera que sujeta la manguera al tambor del carrete de manguera; luego, asegúrese de que el carrete de manguera esté trabado.

⚠ADVERTENCIA: *El carrete está bajo tensión, así que no gire el tambor del carrete de manguera ni jale la manguera cuando el carrete esté trabado.*

4. Retire la abrazaderas (O) de la manguera y déjelas a un lado.
5. Desconecte con cuidado el extremo de la manguera (K) del lateral del carrete de manguera y retire la manguera vieja.
6. Retire el resorte de protección de la manguera (L) de la manguera vieja. Coloque el resorte de protección (L) en la nueva manguera y luego inserte la manguera a través de la ranura del tambor (M).
7. Aplique cinta selladora de rosca a la rosca de la manguera y conecte esta última al carrete de manguera (K) y apriétela.
8. Fije la manguera al interior del tambor con la abrazadera de la manguera. Asegúrese de que la manguera tenga una curva amplia (N) y que no esté retorcida antes de apretar la abrazadera de la manguera.
9. Asegúrese de que el resorte de protección de la manguera (L)

esté en el lugar correcto (consulte la figura 3).

10. Jale la manguera para destrabarla y rebobine lentamente la manguera de aire. No suelte por completo la manguera.
11. Vuelva a instalar el retén de bola en el lugar deseado de la manguera.
12. Vuelva a conectar la manguera de entrada al carrete de manguera y active el suministro de aire. Revise todas las conexiones para asegurarse de que no haya fugas.



INFORMACIÓN DE SERVICIO

Tenga la siguiente información disponible para todas las llamadas de solicitud de servicio:

Número de modelo _____

Fecha y lugar de compra _____

REEMPLAZO GRATUITO DE ETIQUETAS DE ADVERTENCIA:

Si las etiquetas de advertencia ya no pueden leerse o ya no están, llame a 1-800-4-DEWALT para obtener reemplazos gratuitos.



⚠ **CAUTION: RISK OF INJURY.** Do not let go of hose when retracting.
⚠ **ATTENTION: RISQUE DE BLESSURES.** Ne pas lâcher tomber le tuyau lors de la rétraction.
⚠ **ATENCIÓN: RIESGO DE LESIONES.** No suelte la manguera cuando se retrae.

098-6035

⚠ **CAUTION: RISK OF INJURY.** Do not let go of hose when retracting.
⚠ **ATTENTION: RISQUE DE BLESSURES.** Ne pas lâcher tomber le tuyau lors de la rétraction.
⚠ **ATENCIÓN: RIESGO DE LESIONES.** No suelte la manguera cuando se retrae.

GARANTÍA

GARANTÍA LIMITADA DE UN AÑO: DEWALT Industrial Tools (la Compañía) garantiza que durante un periodo de doce (12) meses a partir de la fecha de compra reemplazará o reparará, sin cargo alguno y únicamente para el comprador original, cualquier pieza fabricada por la Compañía, cuya inspección por parte de la Compañía, o de sus representantes designados, determine que presentan defectos en los materiales y/o la mano de obra. Todos los cargos de transporte de las piezas que se envíen para su reemplazo o reparación al amparo de esta garantía deberán ser cubiertos por el comprador original. Este es el remedio exclusivo que brinda esta garantía.

Si el comprador original no instala, mantiene y opera dicho equipo según las buenas prácticas del sector, o si no cumple

con las recomendaciones específicas de la Compañía que se estipulan en el manual del propietario, esta garantía quedará anulada. La Compañía no será responsable de reparaciones, reemplazos o ajustes del equipo, ni de costos de mano de obra realizada por el comprador sin la aprobación previa por escrito de la Compañía. Los efectos de la corrosión, la erosión y el desgaste normal quedan específicamente excluidos de esta garantía.

LA COMPAÑÍA NO DA NINGUNA OTRA GARANTÍA NI MANIFESTACIÓN DE NINGÚN TIPO, YA SEA EXPRESA O IMPLÍCITA, A EXCEPCIÓN DE LA DEL TÍTULO DE PROPIEDAD. POR LA PRESENTE, LA COMPAÑÍA NO ASUME NINGUNA GARANTÍA IMPLÍCITA, INCLUIDAS LAS GARANTÍAS DE COMERCIABILIDAD Y DE IDONEIDAD PARA UN PROPÓSITO ESPECÍFICO. SE EXCLUYE TODA RESPONSABILIDAD POR DAÑOS Y PERJUICIOS EMERGENTES O INCIDENTALES EN VIRTUD DE CUALQUIER OTRA GARANTÍA, OTROS CONTRATOS, NEGLIGENCIA U OTROS ACTOS DE AGRAVIO, EN LA MEDIDA EN QUE LA LEY ASÍ LO PERMITA.

Sin perjuicio de lo anterior, cualquier reclamación legal en contra de la Compañía estará prohibida si la acción legal no comienza dentro de los veinticuatro (24) meses de la fecha de compra o de la entrega, lo que ocurra después. Esta garantía constituye todo el acuerdo entre la Compañía y el comprador original, y ningún representante o agente está autorizado a alterar los términos de la misma sin el consentimiento escrito de la Compañía.

DEWALT Industrial Tool Co., 701 Joppa Road, Baltimore, MD 21286

(JULY18) Part No.DXCM024-0374 Copyright © 2017, 2018 **DEWALT**

The following are trademarks for one or more **DEWALT** power tools: the yellow and black color scheme; the “D” shaped air intake grill; the array of pyramids on the handgrip; the kit box configuration; and the array of lozenge-shaped humps on the surface of the tool.