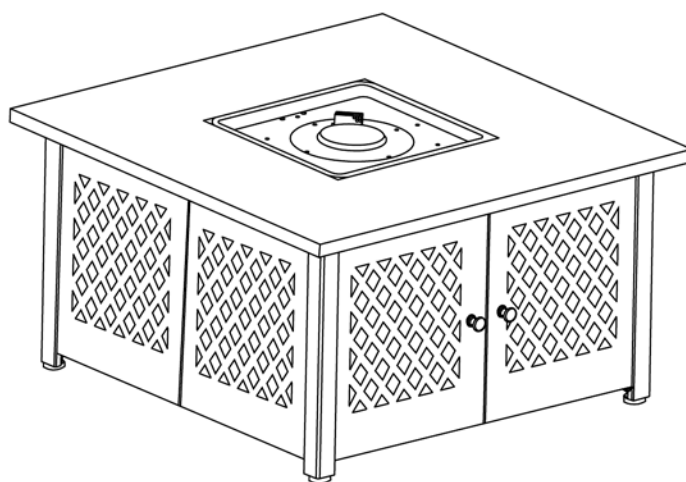


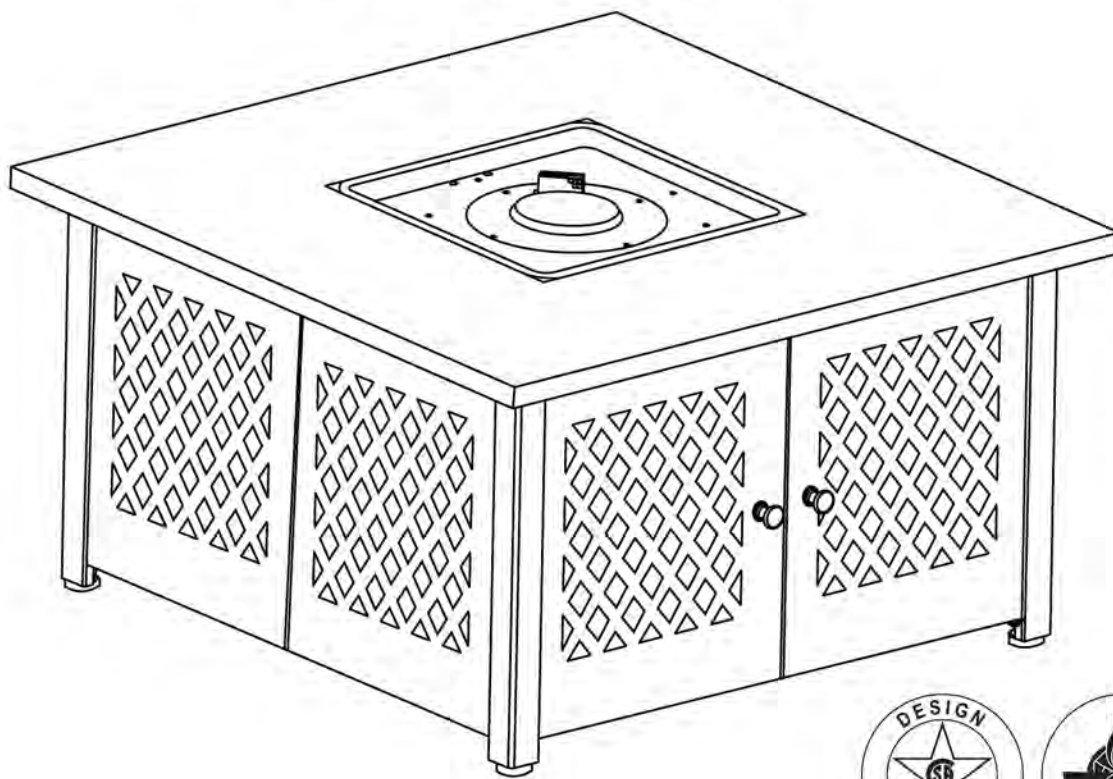


Outdoor Propane Fire  
Table With Stone Top  
CO9010



## OUTDOOR PROPANE FIRE TABLE WITH STONE TOP

Model No. C09010-BR



**WARNING**  
FOR YOUR SAFETY:  
For Outdoor Use Only (outside any enclosure)  
Do Not Use For Cooking.

**WARNING**  
FOR YOUR SAFETY:

- ▲ If the information in this manual is not followed exactly, a fire or explosion may result causing property damage, personal injury or loss of life.
- ▲ WHAT TO DO IF YOU SMELL GAS:
  - Do NOT try lighting any appliance.
  - Do NOT touch any electrical switch; do NOT use any phone in your building.
  - Immediately call your gas supplier from a neighbor's phone.
  - Follow the gas supplier's instructions.
  - If you cannot reach your gas supplier, call the fire department.
- ▲ Installation and service must be performed by a qualified installer, service agency or gas supplier.
- ▲ Save these instructions for future reference.
- ▲ If you are assembling this unit for someone else, give this manual to him or her to read and save for future reference.

**WARNING**  
FOR YOUR SAFETY:

- ▲ Improper installation, adjustment, alteration, service or maintenance can cause injury or property damage.
- ▲ Read the installation, operation and maintenance instructions thoroughly before installing or servicing this equipment.

**DANGER**

If you smell gas:

1. Shut off gas to appliance.
2. Extinguish any open flame.
3. If odor continues, keep away from the appliance and immediately call your gas supplier or your fire department.

**WARNING**  
FOR YOUR SAFETY:

1. Do NOT store or use gasoline or other flammable vapors or liquids in the vicinity of this or any other appliance.
2. An LP-cylinder not connected for use shall not be stored in the vicinity of this or any other appliance.

**DANGER**

Do not leave this appliance unattended while it is in operation.

**DANGER**

**CARBON MONOXIDE HAZARD**

- This appliance can produce carbon monoxide which has no odor.
- Using it in an enclosed space can kill you.
- Never use this appliance in an enclosed space such as a camper, tent, car or home.

**Table of Contents**

Important Safeguards . . . . .	Page 2
Expanded View and Hardware . . . . .	4
Assembly Instructions . . . . .	5
Installing LP Gas Tank . . . . .	8
Insert and Secure LP Gas Tank . . . . .	8
Connecting LP Gas Tank . . . . .	8
Disconnecting LP Gas Tank . . . . .	8
Operating Instructions . . . . .	9
Checking for Leaks . . . . .	9
Lighting . . . . .	9
Turning Off . . . . .	9
Cleaning and Care . . . . .	9
Inspecting . . . . .	9
Cleaning . . . . .	9
Storing . . . . .	9
Product Registration . . . . .	10
Replacement Parts . . . . .	10
Limited Warranty . . . . .	10
Care and Maintenance Instructions . . . . .	12.13.14

The use and installation of this product must conform to local codes. In absence of local codes, use the latest edition of the *National Fuel Gas Code, ANSI Z223.1/NFPA 54*, or *International Fuel Gas Code, Natural Gas and Propane Installation Code, CSA C149.1*; or *Propane Storage and Handling Code C149.2*, as applicable. This appliance, when installed, must be electrically grounded in accordance with local codes, or in the absence of local codes with the *National Electrical Code, ANSI/NFPA 70*, if applicable.

For installation in Canada - these instructions, while generally acceptable, do not necessarily comply with the Canadian installation codes, particularly with piping above and below ground. In Canada the installation of this appliance must comply with local codes and/or standard CAN/CGA B149.1 (installation code for propane burning appliances and equipment).

California Proposition 65: Combustion by-products produced when using this product contain chemicals known to the State of California to cause cancer, birth defects, and other reproductive harm.

California Proposition 65: Wash your hands after handling this product.



**DANGERS and WARNINGS: FOR YOUR SAFETY**

- ▲ **DANGER:** Failure to follow the dangers, warnings and cautions in this manual may result in serious bodily injury or death, or in a fire or an explosion causing damage to property.
- ▲ **WARNINGS:**
- ▲ This appliance is for outdoor use only, and should NOT be used in a building, garage or any other enclosed area.
  - ▲ Do NOT operate, keep all combustible items and surfaces away from the outdoor fireplace at all times, leaving at least 24 inches on all sides and 72 inches above clear.
  - ▲ For residential use only. This outdoor fireplace is NOT for commercial use.
  - ▲ Do NOT use this outdoor fireplace for indoor heating. TOXIC carbon monoxide fumes can accumulate and cause asphyxiation.
  - ▲ This outdoor fireplace is safety certified for use in the United States and/or Canada only. Do NOT modify for use in any other location. Modification will result in a safety hazard and will void your warranty.
  - ▲ Apartment dwellers: Check with management to learn the requirements and fire codes for using a liquid propane (LP) gas outdoor fireplace in your apartment complex. If allowed, use outside on the ground floor with a ten foot (3.05 m) clearance from any structure. Do NOT use on or under balconies.
  - ▲ This outdoor fireplace, from the factory, is for use with LP gas only. The conversion to or attempted use of natural gas in this outdoor fireplace is dangerous, may cause bodily harm and will void your warranty.
  - ▲ LP gas characteristics:
    - a. LP gas is flammable and hazardous if handled improperly. Become aware of the characteristics before using any LP gas product.
    - b. LP gas is explosive under pressure, heavier than air, and settles/pools in low areas.
    - c. LP gas in its natural state has no odor. For your safety, an odorant is added that smells like rotten cabbage.
    - d. Contact with LP gas can cause freeze burns to skin.
  - ▲ LP gas tank needed to operate. Only tanks marked "propane" may be used.
    - a. The LP gas cylinder must be constructed and marked in accordance with the *U.S. Department of Transportation (D.O.T.) Specifications for LP-Gas Cylinders*, or the *Standard for Cylinders, Spheres and Tubes for the Transportation of Dangerous Goods and Commission, CAN/CSA-B339* as applicable.
    - b. LP gas tank must be arranged for vapor withdrawal.
    - c. The LP gas tank must have a listed overfilling prevention device (OPD) and a QCCI or Type I (CGA810) LP gas tank connection.
    - d. The LP gas tank must have a tank collar to protect the tank valve.
    - e. Never use an LP gas tank with a damaged body, valve, collar or footing.
    - f. Dented or rusted LP gas tanks may be hazardous and should be checked by your LP gas supplier prior to use.
    - g. The LP gas tank should not be dropped or handled roughly.
    - h. Tanks must be stored outdoors, out of the reach of children and must not be stored in a building, garage or any other enclosed area. Your LP gas tank must never be stored where temperatures can reach over 125°F.
    - i. Do NOT insert any tool or foreign object into the valve outlet or safety relief valve. You may damage the valve and cause a leak. Leaking propane may result in explosion, fire, severe personal injury or death.
    - j. Never keep an LP gas tank in a hot car or trunk. Heat will cause the gas pressure to increase, which may open the relief valve and allow gas to escape.
    - k. Place dust cap on cylinder valve outlet whenever the cylinder is not in use. Only install the type of dust cap on the cylinder valve outlet that is provided with the cylinder valve. Other types of caps or plugs may result in leakage of propane.
    - l. Do NOT store a spare LP gas tank under or near this appliance.
    - m. Never fill the cylinder beyond 80 percent full.
    - n. A fire causing serious injury or damage to property may occur if the above is not followed exactly.
  - ▲ Your outdoor fireplace has been checked at all factory connections for leaks. Recheck all connections as described in the "Operating Instructions" section, as shipping can loosen connections.
  - ▲ Check for leaks even if your unit was assembled for you by someone else.
  - ▲ Do NOT operate if a gas leak is present. Gas leaks may cause a fire or explosion.
  - ▲ You must follow all instructions in the "Checking for Leaks" section before operating. To prevent a fire or explosion when testing for a leak:
    - a. Always perform a leak test before lighting this outdoor fireplace and each time the tank is connected for use.
    - b. No smoking. Do NOT use or permit sources of ignition in the area while conducting a leak test.
    - c. Conduct the leak test outdoors in a well-ventilated area.
    - d. Do NOT use matches, lighters or a flame to check for leaks.
    - e. The use of alcohol, prescription or non-prescription drugs may impair the consumer's ability to properly assemble or safely operate the appliance.
    - f. Strong odors, colds, sinus congestion, etc. may prevent the detection of propane. Use caution and common sense when testing for leaks.
    - g. Do NOT use this outdoor fireplace until any and all leaks are corrected. If you are unable to stop a leak, disconnect the LP gas supply. Call a gas appliance serviceman or your local LP gas supplier.
  - ▲ Do NOT store or use gasoline or other flammable liquids or vapors within 25 feet (7.62 m) of this appliance.
  - ▲ Do NOT use in an explosive atmosphere. Keep outdoor fireplace area clear and free from combustible materials, gasoline and other flammable vapors and liquids.
  - ▲ This outdoor fireplace is NOT to be operated by children.
  - ▲ This outdoor fireplace is NOT to be used in or on boats or recreational vehicles.
  - ▲ Do NOT connect to a remote gas supply.
  - ▲ Never attempt to attach this outdoor fireplace to the self-contained LP gas system of a camper trailer, motor home or house.
  - ▲ Always use in accordance with all applicable local, state and national codes. Contact your local fire department for details on outdoor burning.
  - ▲ When using this outdoor fireplace, exercise the same precautions you would with any open fire.
  - ▲ Do NOT use this outdoor fireplace without reading the entire Owner's Manual.
  - ▲ Do NOT burn solid fuels such as: wood, charcoal briquettes, lump charcoal, manufactured logs, driftwood, trash, leaves, paper, cardboard, plywood, painted/stained/pressure treated wood in this outdoor fireplace.
  - ▲ It is essential to keep the outdoor fireplace's valve compartment, burners, and circulating air passages clean. Inspect outdoor fireplace before each use.
  - ▲ Do NOT use this outdoor fireplace until it is COMPLETELY assembled and all parts are securely fastened and tightened.
  - ▲ Do NOT use this outdoor fireplace near automobiles, trucks, vans or recreational vehicles.
  - ▲ Do NOT use this outdoor fireplace under any overhang or near any unprotected combustible constructions. Avoid using near or under overhanging trees and shrubs.
  - ▲ Always use this outdoor fireplace on a hard, level, non-combustible surface such as concrete, rock or stone. An asphalt or blacktop surface may not be acceptable for this purpose.
  - ▲ Do NOT use this outdoor fireplace for cooking.



- ▲ Do NOT use this appliance if any part has been under water. Immediately call a qualified service technician to inspect the appliance and to replace any part or control system and any gas control which has been under water.
- ▲ Do NOT wear flammable or loose clothing when operating this outdoor fireplace.
- ▲ Do NOT use in windy conditions.
- ▲ Never lean over this outdoor fireplace when lighting or when in use.
- ▲ Do NOT use this outdoor fireplace unless burner is securely in place.
- ▲ Keep all electrical cords away from this outdoor fireplace during use.
- ▲ Certain areas of this outdoor fireplace when in use will become too hot to touch. To avoid burns, do NOT touch hot surfaces until the unit has completely cooled (about 45 minutes), unless you are wearing protective gear (such as insulated pot holders or heat-resistant gloves/mittens).
- ▲ Do NOT leave a lit outdoor fireplace unattended, especially around children and pets.
- ▲ Children and adults should be alerted to the hazards of high surface temperatures and should stay away to avoid burns or clothing ignition.
- ▲ Young children should be carefully supervised when they are in the area of the appliance.
- ▲ Do NOT hang or place clothing or other flammable material on or near this appliance.
- ▲ Any guard or other protective device removed for servicing the appliance must be replaced prior to operating the appliance.
- ▲ If applicable, protective cover must be removed when burner is in operation.
- ▲ Do NOT attempt to move outdoor fireplace when in use. Allow the outdoor fireplace to cool (about 45 minutes) before moving or storing.
- ▲ This outdoor fireplace should be thoroughly cleaned and inspected on a regular basis.
  - a. Clean and inspect the hose before each use of the appliance. If there is evidence of abrasion, wear, cuts, or leaks, the hose must be replaced prior to the appliance being operated.
  - b. Inspect the burner before each use of the appliance. If there is evidence of burner damage, the burner must be replaced prior to the appliance being operated. Use only the burner specified by Crosley Brands.
- ▲ This outdoor fireplace should be inspected at least annually by a qualified service person. Depending on amount of use, more frequent cleaning may be required. Do NOT operate until all parts have been repaired or replaced.
- ▲ Use only the regulator and hose assembly provided. Use only the replacement regulator and hose assembly specified by Crosley Brands.
- ▲ Use only Crosley Brands factory-authorized parts. The use of any part that is not factory-authorized can be dangerous and will void your warranty.
- ▲ Do NOT operate this appliance without reading "Operating Instructions" in this manual.
- ▲ Storage of this outdoor fireplace indoors is permissible only if the tank is disconnected, removed from the outdoor fireplace and properly stored outdoors.
- ▲ Do NOT attempt to disconnect the gas regulator from the tank or any gas fitting while the outdoor fireplace is in use.
- ▲ If the outdoor fireplace is not in use, the gas must be turned off at the supply tank.
- ▲ The pressure regulator is set for 11 inches of water column.
- ▲ The maximum inlet gas pressure for this outdoor fireplace is 11 inches of water column.
- ▲ Do NOT sit or stand on the mantel or any part of this appliance.
- ▲ Do NOT throw anything onto the fire when the unit is in operation.
- ▲ Fire logs, glass and lava rock are very hot. Keep children or pets at a safe distance from this appliance.
- ▲ The opening of the tank collar should face toward the door side for easy access.
- ▲ Do NOT store any combustible materials in the base enclosure.
- ▲ Use protective gloves when assembling this product.
- ▲ Do NOT force parts together as this can result in personal injury or damage to the product.
- ▲ Death, serious injury or damage to property may occur if the above is not followed exactly.

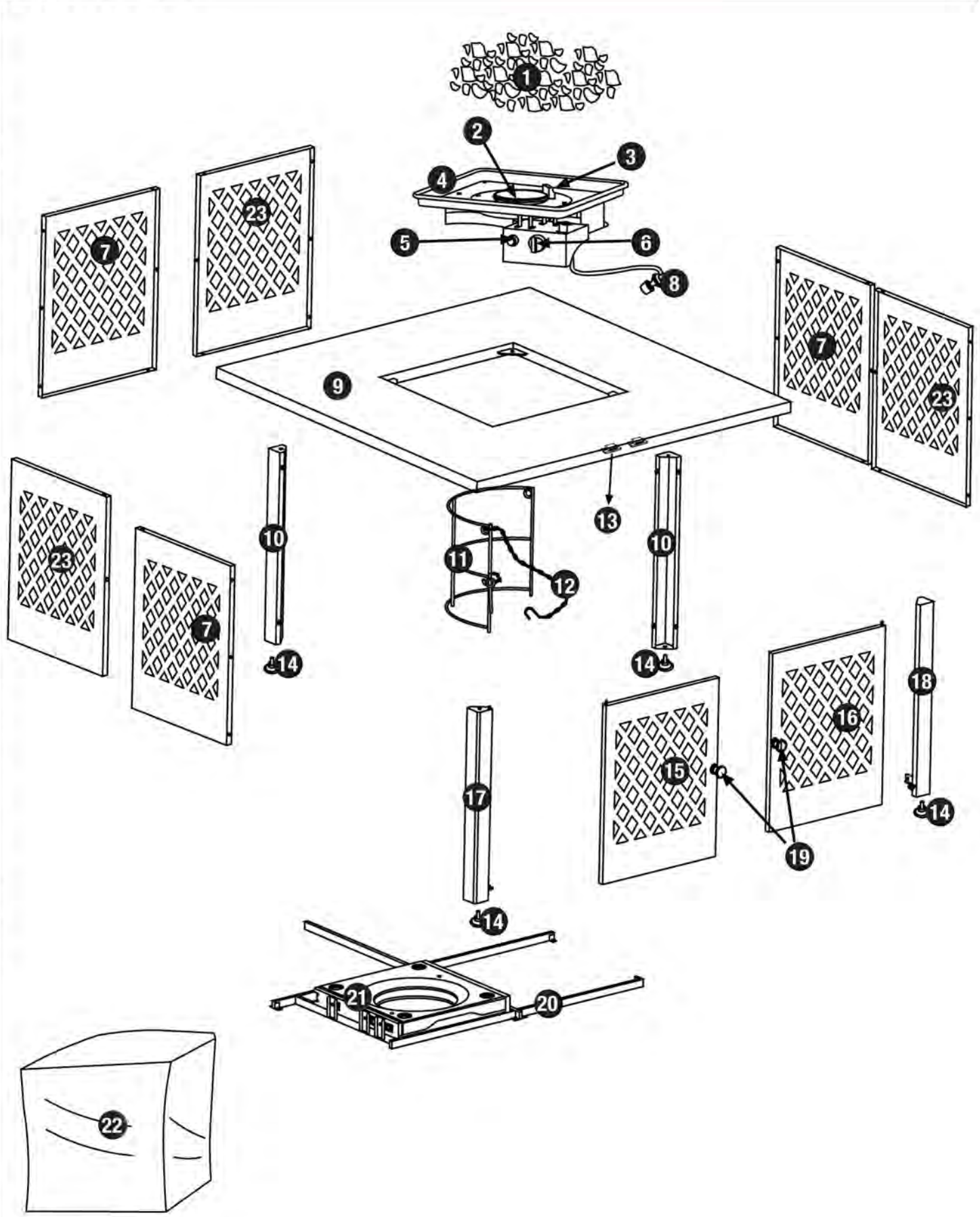


**Parts List**

1	Bronze Glass Rocks† (8kgs)	01
2	Burner*	01
3	Pilot Assembly*	01
4	Bowl Assembly*	01
5	Igniter Button*	01
6	Control Knob*	01
7	Right Side Panel (3)	03
8	Regulator/Hose Assembly*	01
9	Mantel	01
10	Back Leg (2)	02
11	Tank Guard*	01
12	LP Gas Tank Retaining Chain*	01
13	Door Magnet (2)*	02
14	Feet(4)	04
15	Left Door	01
16	Right Door	01
17	Left Front Leg	01
18	Right Front Leg	01
19	Door Knob (2)*	02
20	Base*	01
21	LP Gas Tank Tray*	01
22	Cover	01
23	Left Side Panel (3)	03

\* Pre-assembled  
 † Only use appropriately rated fire glass

**Exploded View**



**Hardware**

A	Screw		ø5x16 Black Nickel Plated	2 pcs
B	Screw		M5x10 Black Nickel Plated Hex	4 pcs
C	Screw		M5x10 Black Nickel Plated Truss Head	40 pcs
D	Wing Nut		ø5 Black Nickel Plated	3 pcs
E	AA Battery		1.5 V AA Battery	1 pc

**Tools Required for Assembly (Included)**

M5 Allen Wrench	1 pc
-----------------	------

**Tools Required for Assembly (Not Included)**

#2 Phillips Head Screwdriver	1 pc
------------------------------	------



**Assembly Instructions**

**1 DO NOT RETURN TO PLACE OF PURCHASE WITHOUT CONTACTING CROSLLEY FIRST.**

For assistance, please call **1.800.815.4796** between the hours of 8 am and 8 pm, EST Monday through Friday. Please have the Owner's Manual and model number available for reference.

**Assembly Tips:**

1. Select an area where you will assemble this product. To protect components, choose a smooth non abrasive surface that's free of cracks or openings.
2. Spread out all parts and take inventory. For missing, damaged or defective parts, please call the number listed above.
3. Tighten all hardware connections by hand first. After all hardware is installed in each step, go back and tighten fully. **DO NOT USE POWER TOOLS OR OVERTIGHTEN HARDWARE!** Doing so may damage surfaces and/or strip threading on hardware.
4. For best results, complete each step in the order presented.

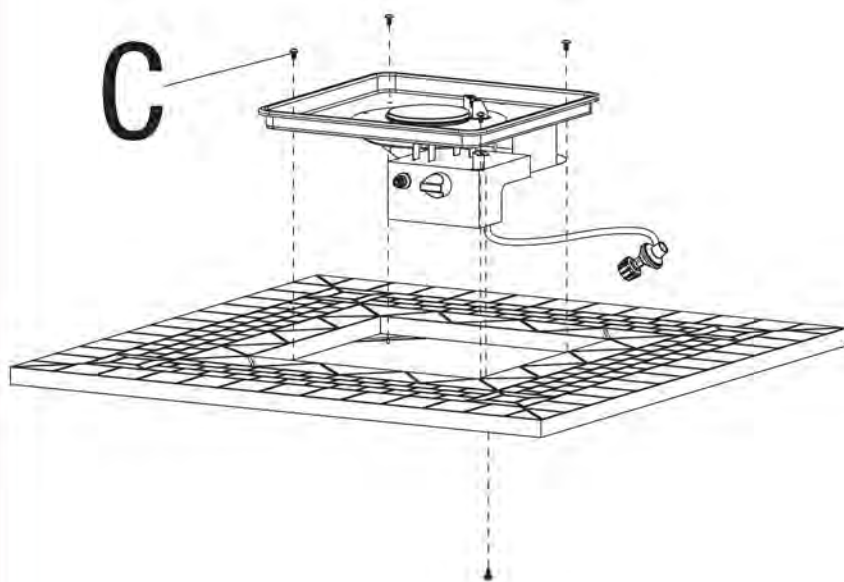
**To complete assembly you will need:**

- (1) Leak detection solution (instructions on how to make the solution are included in the "Operating Instructions" section of this manual).
- (1) Precision-filled LP gas grill tank with Acme Type 1 external threaded valve connection (standard grill size).

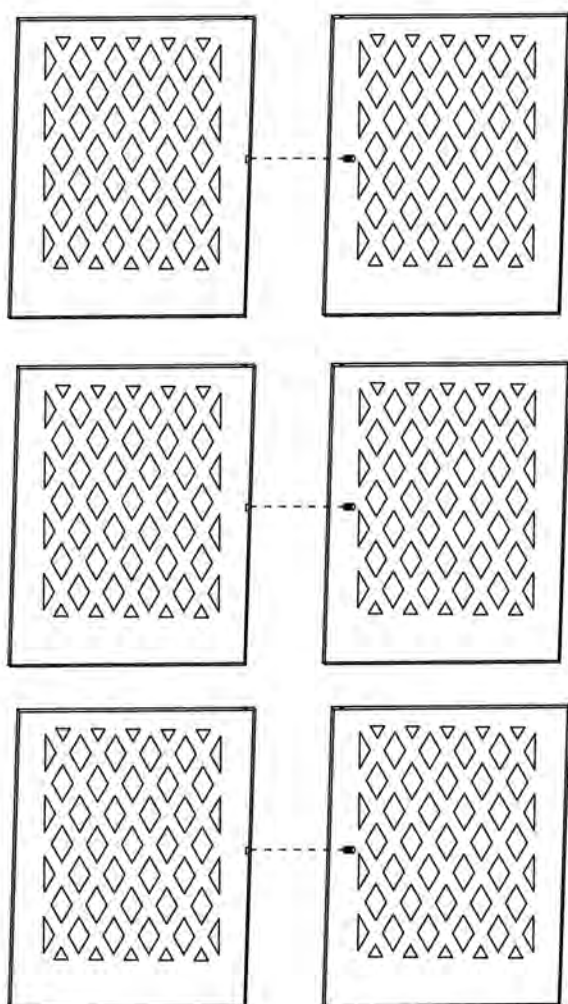
Typical assembly is approximately one hour.

**2 Attach Bowl Assembly**

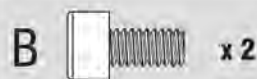
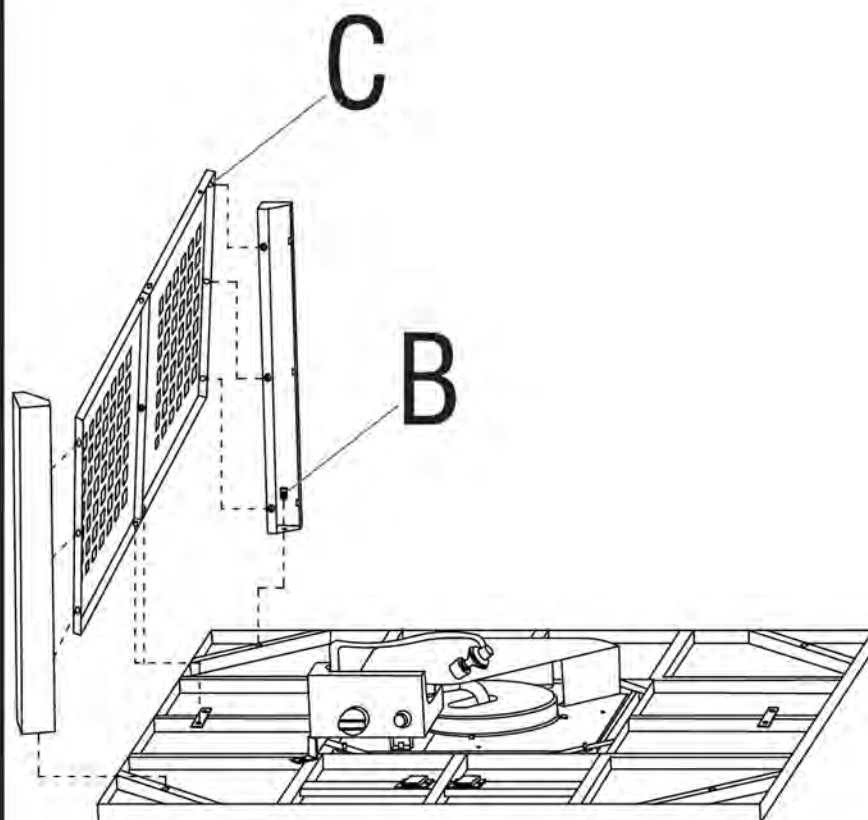
Note: The control panel must line up with the two holes on the mantel frame.



**3 Attach Side Panels**



**4 Attach Side Panels, Back Leg, and Right Front Leg**

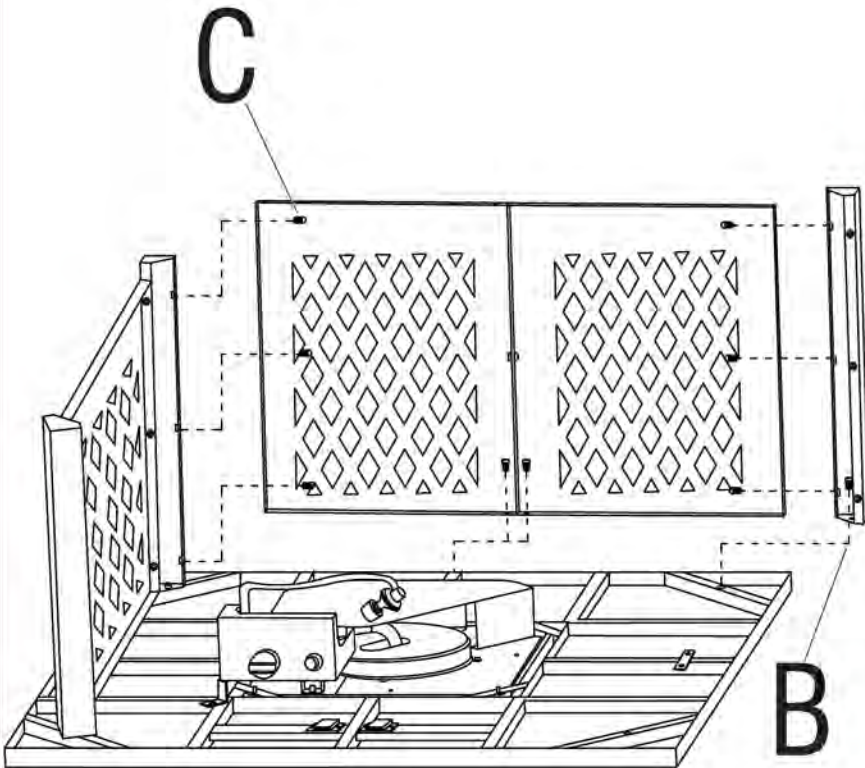




**Assembly Instructions (continued)**

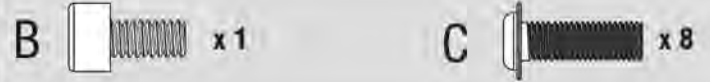
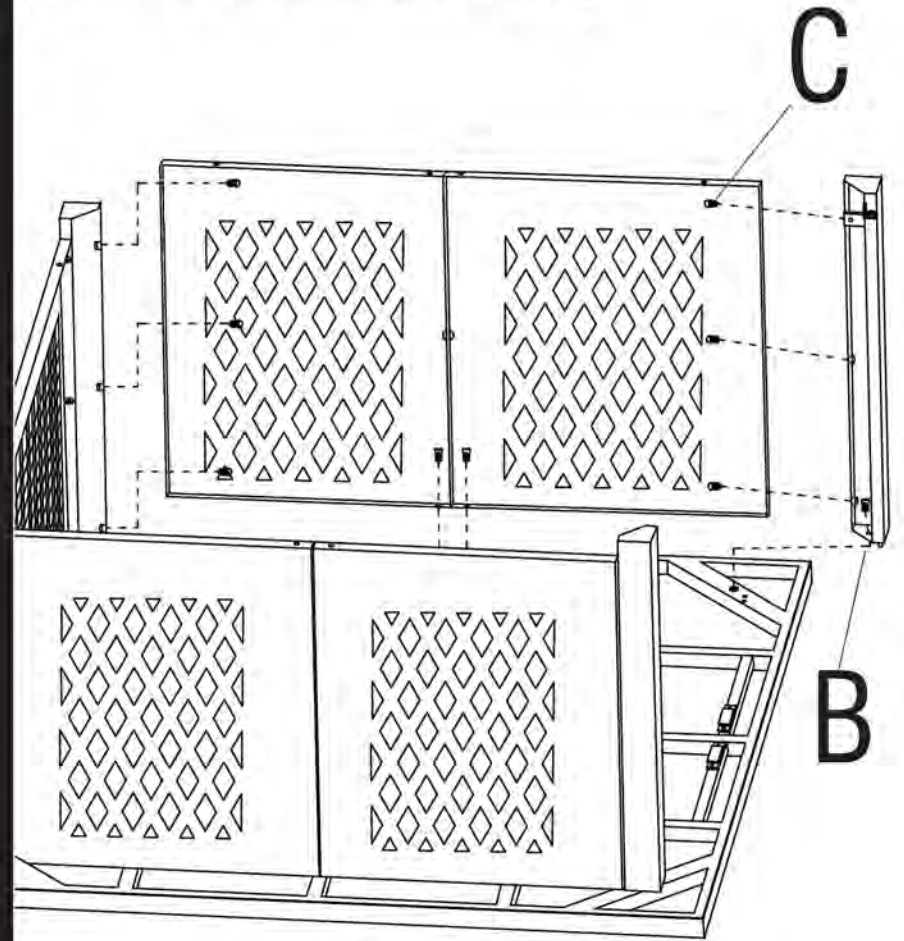
**5**

**Attach Side Panels and Back Leg**



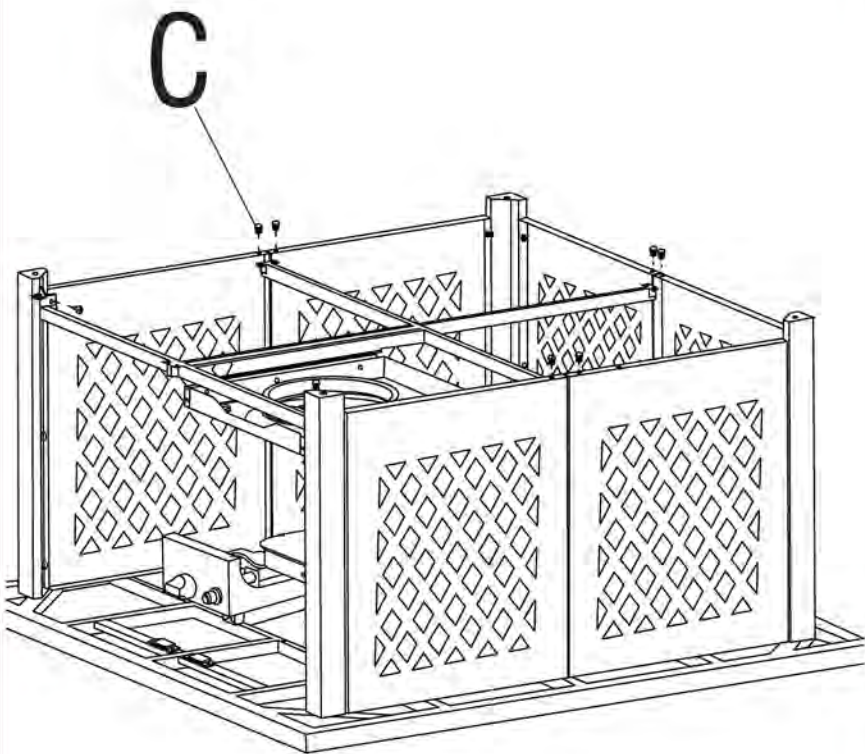
**6**

**Attach Side Panels and Left Front Leg**



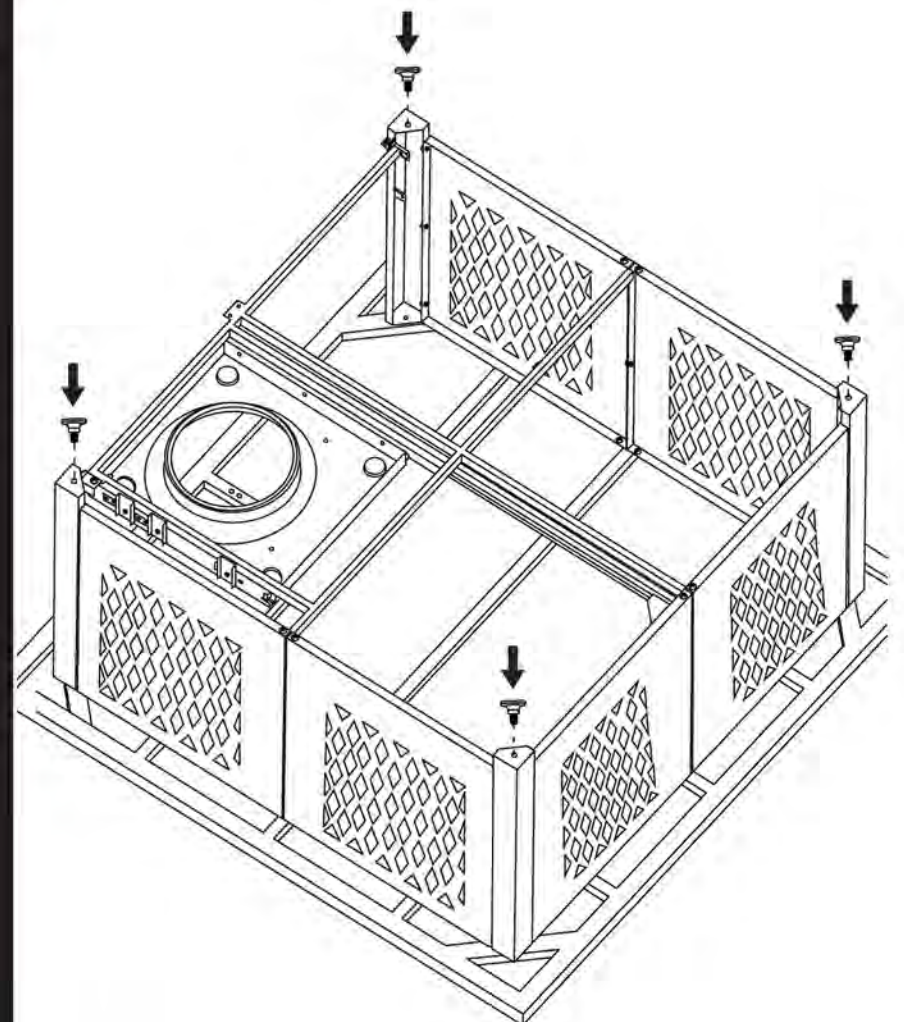
**7**

**Attach Base**



**8**

**Attach Feet**





**9 Attach Tank Guard**

**D**

**D** x 3

**10 Attach Doors**

**A**

**A** x 2

**11 Insert Battery**

Note: Remove plastic wrapper before installing battery.

**E**

**E** x 1

**12 Place Glass Rocks**

- ▲ **CAUTION: Do NOT dump glass rocks out of package. Carefully place glass rocks by hand so dust does not clog burner.**
- ▲ **CAUTION: Do NOT cover pilot housing.**

Note: Glass rocks should be 0.4-1.2 in. (1-3 cm) long. Approx. 17.64 lbs. (8 kg) of glass rocks are needed.



## Installing LP Gas Tank

To operate, you will need one precision-filled standard LP grill gas tank with external valve threads.

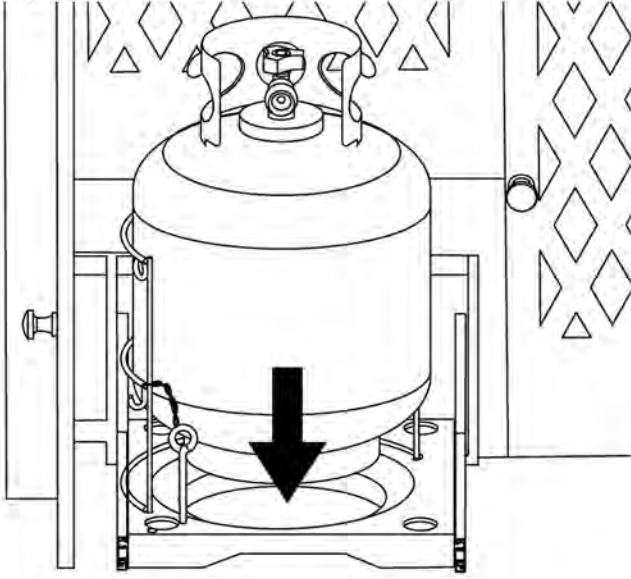
- ▲ **CAUTION: LP gas tank must be properly disconnected and removed prior to moving this outdoor fireplace.**



## Inserting LP Gas Tank

- ▲ **WARNING: Make sure LP gas tank valve is closed.**

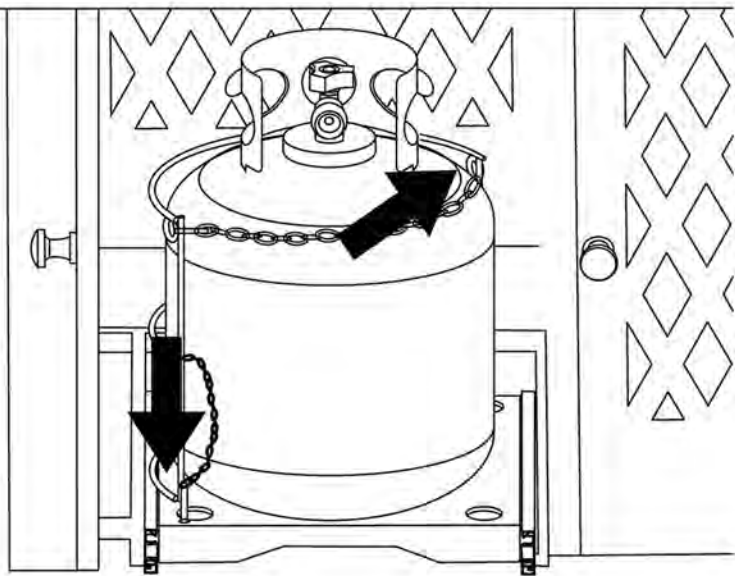
Place precision-filled LP gas tank upright into hole in the base of the outdoor fireplace so the tank valve is facing the gas line connection.



## Secure LP Gas Tank

Secure tank by sliding tank retainer chain around the LP gas tank and insert peg into LP gas tank tray.

*Note:* Peg must be inserted into LP gas tank when tank is in LP gas tank tray.



## Connecting LP Gas Tank

1. Before connecting, be sure there is no debris caught in the head of the LP gas tank, head of the regulator valve or in the head of the burner or burner ports.
2. Connect regulator/hose assembly to tank by turning knob clockwise until it stops.



## Disconnecting LP Gas Tank

1. Before disconnecting, make sure the LP gas tank valve is "CLOSED."
  2. Disconnect regulator/hose assembly from LP gas tank by turning knob counterclockwise until it is loose.
- ▲ **CAUTION: LP gas tank must be properly disconnected and removed prior to moving this outdoor fireplace.**
3. Place the protective cap cover on the LP gas tank and store the tank outdoors in a well-ventilated area out of direct sunlight.



## Getting More Propane



Need a tank of gas? One option is to try propane exchange. It's easy, fast, safe, and available at tens of thousands of conveniently located retail outlets nationwide, which are typically open nights and weekends. You can purchase a fresh, precision-filled tank or exchange your empty for a fresh, precision-filled tank. Another option is to have your tank refilled at a refill station. Be sure to check the hours of operation for the refill station.



## Operating Instructions

### Checking for Leaks

**▲ WARNING: Before using this outdoor fireplace, make sure you have read, understand and are following all information provided in the “Dangers and Warnings” section on page 2. Failure to follow those instructions can cause death, serious injury or property damage.**

#### Burner Connections

1. Make sure the regulator hose and valve connections are securely fastened to the burner and the tank.
  2. Visually check the connection between the burner/venturi tube and orifice.
  3. Make sure the burner/venturi tube fits over the orifice.
- ▲ WARNING: Failure to inspect this connection or follow these instructions could cause a fire or an explosion which can cause death, serious bodily injury or damage to property.**
4. Please refer to diagrams for proper installation (Figures 1 and 2).
  5. If the burner/venturi tube does not rest flush to the orifice as shown, please contact 1.800.815.4796 between the hours of 8 am and 8 pm EST, Monday through Friday for assistance.

#### Tank/Gas Line Connection

1. Make 2-3 oz. of leak detection solution by mixing one part liquid dishwashing soap with three parts water.
2. Make sure control knob is in the “OFF” position (Figure 3).
3. Connect LP gas tank per “Installing LP Gas Tank” section.
4. Turn LP gas tank valve to “OPEN.”
5. Spoon several drops of solution, or use a squirt bottle, at all “X” locations (Figures 1 and 2).
  - a. If any bubbles appear, turn LP gas tank valve to “CLOSED,” reconnect and re-test.
  - b. If you continue to see bubbles after several attempts, turn LP gas tank valve to “CLOSED” and disconnect LP gas tank, per “Disconnect LP Gas Tank” section. Contact 1.800.815.4796 between the hours of 8 am and 8 pm EST, Monday through Friday for assistance.
  - c. If no bubbles appear after one minute, turn LP gas tank valve to “CLOSED,” wipe away solution and proceed.

### Lighting

**▲ CAUTION: Keep outdoor gas appliance area clear and free from combustible materials, gasoline and other flammable vapors and liquids.**

**▲ CAUTION: Do NOT obstruct the flow of combustion and ventilation air.**

**▲ CAUTION: Check and clean burner/venturi tubes for insects and insect nests. A clogged tube can lead to a fire.**

**▲ CAUTION: Attempting to light the burner with a cover on it may cause an explosion.**

1. Make sure all labels, packaging and protective films have been removed from the outdoor fireplace.
2. Check for obstructions of airflow to the burner. Spiders, insects and webs can clog the burner/venturi tube. A clogged burner tube can lead to a fire.
3. Control knob must be in the “OFF” position (Figure 3).
4. Clear small area of glass rocks or lava rocks away from the pilot housing (Figure 4).
5. Connect LP gas tank per “Installing LP Gas Tank” section.
6. Turn LP gas tank valve to “OPEN.”
7. Push and turn control knob to 🔥 (LOW).
8. Continue to hold the control knob in, press the ⚡ (electronic igniter) and hold for up to 5 seconds to light the pilot.
9. Continue to hold the control knob in for 20 seconds to heat thermocouple.
10. After 20 seconds, release and turn control knob counterclockwise to ignite burner and adjust flame to desired height.

Figure 1

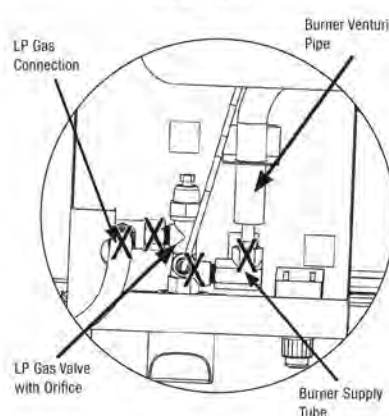


Figure 2

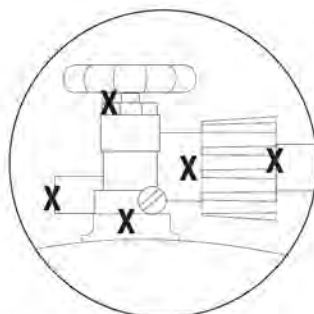


Figure 3

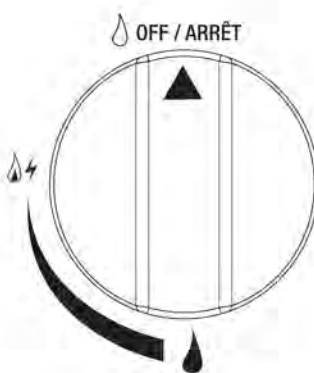


Figure 4

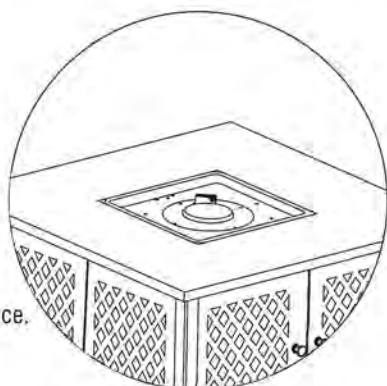
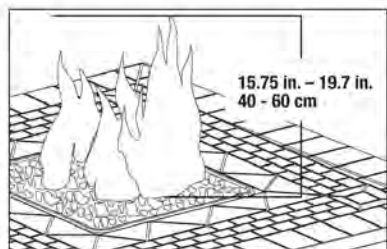


Figure 5



11. If ignition does not occur in 5 seconds, turn burner control knob to “OFF,” wait 5 minutes, fan with a newspaper or magazine, and repeat lighting procedure.
  12. If igniter does not light burner:
    - a. Wearing heat-resistant gloves, position a long lit match or long lit butane lighter near the pilot housing.
    - b. Push and turn control knob to 🔥 (LOW).
    - c. Remove match/lighter once burner is lit.
- ▲ CAUTION: After lighting - using a fireplace tool and heat-resistant gloves, carefully move the glass rocks or lava rocks back to their proper position, being careful to avoid the flame.**
13. After lighting, observe the burner flame. Make sure all burner ports are lit and flame height matches illustration (Figure 5).
- ▲ CAUTION: If ignition does not occur in 5 seconds, turn burner control knob to “OFF,” wait 5 minutes, fan with a newspaper or magazine, and repeat lighting procedure.**

### Turning Off

1. Turn LP gas tank valve to “CLOSED.”
2. Turn control knob to the “OFF” position.  
Note: A “poof” sound is normal as the last of the LP gas is burned.
3. Disconnect LP gas tank per “Disconnecting LP Gas Tank” section.

### Cleaning and Care

- ▲ CAUTION:**
1. All cleaning and maintenance should be done when outdoor fireplace is cool and with the fuel supply disconnected.
  2. Do NOT clean any outdoor fireplace part in a self-cleaning oven. The extreme heat will damage the finish.
  3. Do NOT enlarge valve orifices or burner ports when cleaning the valves or burners.

### Notices

1. This outdoor fireplace should be thoroughly cleaned and inspected on a regular basis.
2. Abrasive cleaners will damage this product.
3. Never use oven cleaner to clean any part of this outdoor fireplace.

### Before Each Use:

1. Keep the outdoor fireplace area clear and free from any combustible materials, gasoline, and other flammable vapors and liquids.
2. Do NOT obstruct the flow of the combustion of LP gas and the ventilation of air.
3. Keep the ventilation opening(s) of the LP gas tank area free and clear from debris.
4. Visually check the burner flames to make sure your outdoor fireplace is working properly (Figure 5).
5. See sections below for proper cleaning instructions.
6. Check all gas connections for leaks.
7. Check components for any signs of damage or rust.
8. Check for obstructions of airflow to the burner. Spiders, insects and webs can clog the burner/venturi tube. A clogged burner/venturi tube can lead to a fire.
9. If damage to any component is detected, do NOT operate until repairs are completed.

### Cleaning Surfaces

1. Wipe surfaces clean with mild dishwashing detergent or baking soda mixed with water.
2. For stubborn stains, use a citrus-based cleaner and a nylon scrubbing brush.
3. Rinse clean with water.
4. Allow to air dry.

### Before Storing

1. Turn LP gas tank valve to “CLOSED.”
2. Turn control knob to the “OFF” position.
3. Disconnect LP gas tank per “Disconnecting LP Gas Tank” section.
4. Clean all surfaces.
5. Lightly coat the burner with cooking oil to prevent excess rusting.
6. Cover this outdoor fireplace with a durable vinyl cover (Included part #25).
7. Store in a cool and dry location away from children and pets.



**Troubleshooting**

Problem	Possible Cause	Prevention/Cure
<b>Burner will not light using ignitor</b>	LP gas tank valve is closed	Make sure regulator is securely attached to the LP gas tank per "Installing LP Gas Tank" section, then turn LP gas tank valve to "OPEN"
	LP gas tank is low or empty	Exchange, refill or replace LP gas tank
	LP gas leak	1. Turn LP gas tank valve to "CLOSED" 2. Wait 5 minutes for gas to clear 3. Follow "Checking for Leaks" section
	Battery needs to be changed	Replace the "AA" battery (follow assembly step for inserting battery)
	Electrode and burners are wet	Wipe dry with cloth
	Electrode cracked or broken - sparks at crack	Replace electrode
	Wire loose or disconnected	Reconnect ignitor wire/electrode assembly
	Wire is shorting (sparking) between ignitor and electrode	Replace ignitor wire/electrode assembly
Bad ignitor	Replace ignitor	
<b>Burner will not light with match</b>	No gas flow	Check if LP gas tank is empty A. If empty exchange, refill or replace B. If LP gas tank is not empty, refer to "Sudden drop in gas flow or reduced flame height"
	LP gas tank is low or empty	Exchange, refill or replace LP gas tank
	LP gas leak	1. Turn LP gas tank valve to "CLOSED" 2. Wait 5 minutes for gas to clear 3. Follow "Checking for Leaks" section
	Coupling nut and regulator not fully connected	Turn the coupling nut about one-half to three-quarter additional turn until solid stop. <b>Tighten by hand only - do NOT use tools.</b>
	Obstruction of gas flow	1. Clear burner/venturi tube 2. Check for bent or kinked hose
	Disengagement of burner to valve	Re-engage burner and valve
	Spider webs or insect nest in burner/venturi tube	Clean burner/venturi tube
	Burner ports clogged or blocked	Clean burner ports
<b>Sudden drop in gas flow or reduced flame height</b>	Out of gas	Exchange, refill or replace LP gas tank
	Excess flow; safety device may have been activated	1. Turn control knob to "OFF" 2. Wait 30 seconds and light outdoor fireplace per "Lighting" section 3. If flames are still too low, reset the overfilling prevention device: a. Turn control knob(s) "OFF" b. Turn LP gas tank valve to "CLOSED" c. Disconnect regulator d. Turn control knobs to HIGH e. Wait one minute f. Turn control knobs to "OFF" g. Reconnect regulator and leak check connections, being careful not to fully open valve h. Light outdoor fireplace per "Lighting" section
<b>Irregular flame pattern, flame does not run the full length of burner</b>	Burner ports are clogged or blocked	Clean burner ports
<b>Flame is yellow or orange</b>	New burner may have residual manufacturing oils	Burn outdoor fireplace for 15 minutes and reinspect
	Spider webs or insect nest in burner/venturi tube	Clean burner/venturi tube
	Poor alignment of valve to burner/venturi tube	Ensure burner/venturi tube is properly engaged with valve
<b>Flame goes out</b>	High or gusting winds	Do not use outdoor fireplace in high winds
	Low on LP gas	Exchange, refill or replace LP gas tank
	Excess flow valve tripped	Refer to "Sudden drop in gas flow or reduced flame height"
<b>Flashback (fire in venturi/burner tube(s))</b>	Burner and/or burner/venturi tube is blocked	Clean burner and/or burner/venturi tube
<b>Flame seems to lose heat when burning in cold weather - temperature below 50°F</b>	Ice has built up on the outside of the LP gas tank because the vaporization process is too slow	1. Turn LP gas tank valve to "CLOSED" 2. Turn control knob to "OFF" 3. Replace with a spare LP gas tank 4. Reconnect LP gas tank per "Installing LP Gas Tank" section 5. Follow "Checking for Leaks" section 6. Light outdoor fireplace per "Lighting" section

For assistance, please call 1.800.815.4796 Monday thru Friday 8 am to 8 pm EST