



LUBE KITS



PUMPS



METERS



METERED NOZZLES



NOZZLES



FILTRATION

# EASY NEXT/2

## FEATURES

- HIGH RATIO PRESSURE
- LOW PRESSURE DROP
- STURDY AND DURABLE
- BUILT-IN LEVER LOCK
- READY TO USE
- EASY TO CALIBRATE
- ELECTRONIC RESET FUNCTION
- LOW BATTERY CONSUMPTION
- IP65 PROTECTION
- RUBBER PROTECTION
- ADJUSTABLE UNIT OF MEASUREMENT
- SWIVEL

## PERFORMANCE

up to

**15 GPM**

from 1.5 GPM

FLOW RATE

**± 0.5%**

ACCURACY

**0.2 %**

REPEATABILITY

**994 PSI**

PRESSURE



The Piusi Easy NEXT/2 is the answer to all the needs of a high flow rate oil transfer and measure. It is composed by the Pistol-one nozzle and the oval gear meter NEXT/2.



EASY NEXT/2 WITH FLEXIBLE SPOUT



with rigid spout

without spout

## PACKAGING

| PART #    | WEIGHT |     | PACKAGING   |            |         | N. BOXES/<br>EUROPALLET |     |
|-----------|--------|-----|-------------|------------|---------|-------------------------|-----|
|           | KG     | LBS | IN          | PCS/PALLET | PCS/BOX |                         |     |
| FOO974000 | 2.3    | 5.1 | 4.5X5.3X6.3 | -          | 1       | 100                     | 120 |
| FOO974010 | 2.9    | 6.4 | 7X16X4.5    | -          | 1       | 100                     | 120 |
| FOO974020 | 2.9    | 6.4 | 7X16X4.5    | -          | 1       | 100                     | 120 |
| FOO974030 | 3      | 6.6 | 7X16X4.5    | -          | 1       | 100                     | 120 |
| FOO974070 | 2.9    | 6.4 | 7X16X4.5    | -          | 1       | 100                     | 120 |



FLUID MONITORING



HOSE REELS



AIR



ANTIFREEZE



DEF



BIODIESEL



DIESEL



FOOD



GASOLINE



GREASE



KEROSENE



OIL



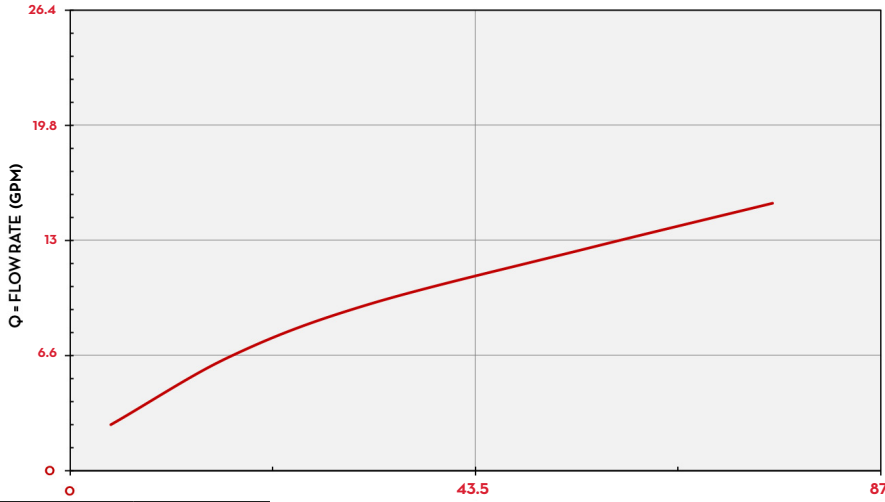
WATER



WINDSCREEN

## CHARTS

### EASY NEXT/2



TYPE OF FLUID OIL SAE 10W40  
TEMPERATURE 73°F

P = TOTAL PRESSURE (PSI)

## IN THE BOX

- PISTOL-ONE NOZZLE
- NEXT/2 METER
- INSTRUCTION MANUAL

## DETAILS



RESET/CALIBRATE BUTTON



SELECTED MATERIAL



MULTIFUNCTIONAL DISPLAY



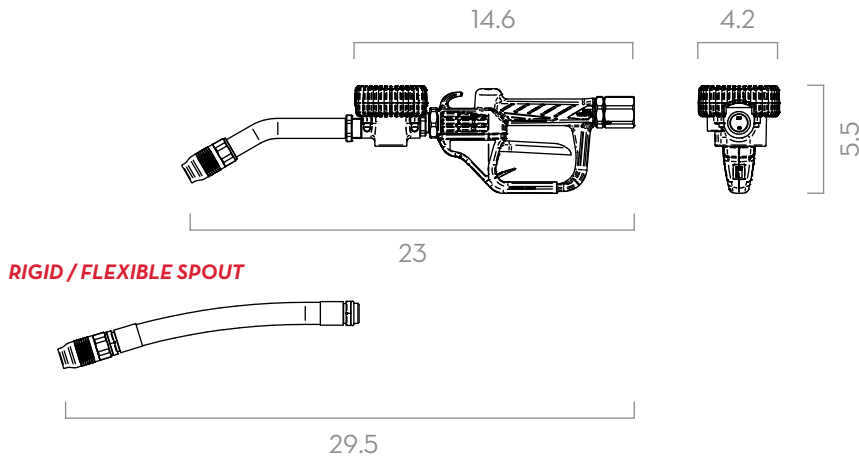
METER WITH OVAL GEARS

## MATERIALS

- NOZZLE BODY: ALUMINUM
- VALVE: NBR, NICKEL PLATED STEEL, BRASS
- METER BODY: ALUMINUM
- GEARS: TECHNOPOLYMER

## DIMENSIONS

### EASY NEXT/2 NOZZLE METER SIDE



RIGID / FLEXIBLE SPOUT

Measures expressed in inches

## TECHNICAL DATA

| PART #    | DESCRIPTION                       | FLUIDS TYPE | SPOUT TYPE | SEMI AUTOMATIC NO DRIP VALVE | FLOW RATE |          | WORKING PRESSURE |     | BATTERY INCLUDED<br>AAA NO. 22 X 1.5 V | INLET    | OUTLET     |
|-----------|-----------------------------------|-------------|------------|------------------------------|-----------|----------|------------------|-----|--|----------|------------|
|           |                                   |             |            |                              | L/MIN     | GPM      | BAR              | PSI |  |          |            |
| FO0974000 | NEXT/2 NOZZLE W/O SPOUT BSP       |             | -          | -                            | 6 - 60    | 1.5 - 15 | 70               | 994 | 2                                      | 3/4" BSP | -          |
| FO0974010 | NEXT/2 NOZZLE W/RIGID SPOUT BSP   |             | RIGID      | YES                          | 6 - 60    | 1.5 - 15 | 70               | 994 | 2                                      | 3/4" BSP | RIGID EXT. |
| FO0974020 | NEXT/2 OIL NOZZLE FLEX SPOUT BSP  |             | FLEXIBLE   | YES                          | 6 - 60    | 1.5 - 15 | 70               | 994 | 2                                      | 3/4" BSP | FLEX EXT.  |
| FO0974030 | NEXT/2 OIL NOZZLE RIGID SPOUT NPT |             | RIGID      | YES                          | 6 - 60    | 1.5 - 15 | 70               | 994 | 2                                      | 3/4" NPT | RIGID EXT. |
| FO0974070 | NEXT/2 OIL NOZZLE FLEX SPOUT NPT  |             | FLEXIBLE   | YES                          | 6 - 60    | 1.5 - 15 | 70               | 994 | 2                                      | 3/4" NPT | FLEX EXT.  |

# EASY NEXT/2