



DISPENSERS



FUEL KITS



PUMPS



METERS



NOZZLE



FILTRATION

# K24

## FEATURES

- BURSTING PRESSURE 1450 PSI
- LCD DISPLAY
- FLOW-RATE INDICATION
- EASY TO CALIBRATE

The PIUSI K24 is a turbine digital flow meter specifically designed for diesel. Easy to install in-line or at the end of a delivery pipe, it is equipped with a rotatable display. This meter is available both with aluminum or technopolymer body.

## PERFORMANCE

**2-32**

GPM

FLOW RATE

**300 PSI**

MAX OPERATING

PRESSURE

**± 1%**

ACCURACY

**0.2%**

REPEATIBILITY



K24



## PACKAGING

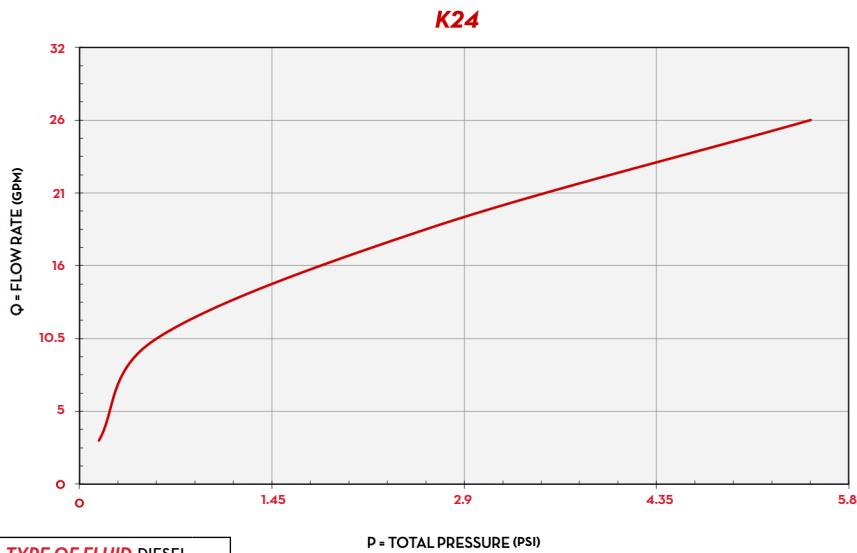
PART #	WEIGHT		PACKAGING		
	KG	LBS	MM	INCH	PCS/BOX
FOO40802A	0.5	1.1	BLISTER	BLISTER	1
FOO40801A	0.5	1.1	BLISTER	BLISTER	1



FLUID  
MONITORING

- A  
AIR
- A  
ANTIFREEZE
- D  
DEF
- B  
BIODIESEL
- D  
DIESEL**
- F  
FOOD
- G  
GASOLINE
- G  
GREASE
- K  
KEROSENE
- O  
OIL
- W  
WATER
- W  
WINDSCREEN

## CHART

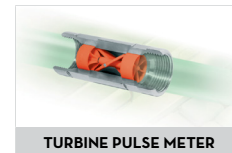


**TYPE OF FLUID** DIESEL  
**TEMPERATURE** 61 °F

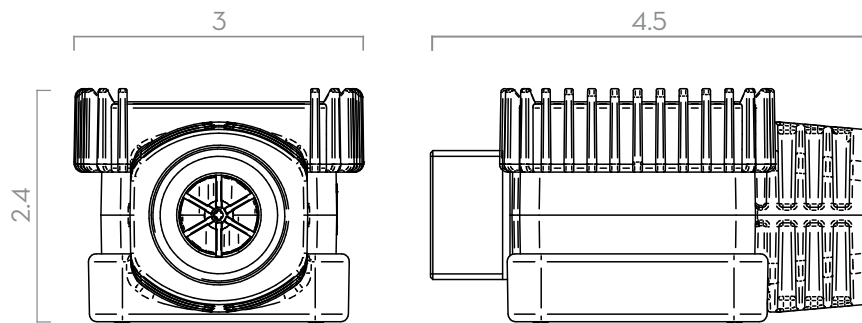
## IN THE BOX

- K24 UNIT
- INSTRUCTION MANUAL
- SOCKET F/F

## DETAILS



## DIMENSIONS



Dimensions expressed in inches

## MATERIALS

- BODY: ALUMINUM
- GEARS: TECHNOPOLYMER

## TECHNICAL DATA

PART #	DESCRIPTION	FLUIDS TYPE	FLOW RATE		PRESSURE		BATTERY 2X AAA BATTERY 1.5V (INCLUDED)	FLANGE	INLET / OUTLET
			L/MIN	GPM	BAR	PSI			
FOO4O802A	K24-A FUEL METER 2-32GPM 1"NPT-M/F	D	7 - 120	2 - 32	20	300	YES	NO	M 1" NPT - M 1" NPT
FOO4O801A	K24-O FUEL METER 2-30GPM 1"NPT-M/F	D	7 - 113	2 - 30	20	300	YES	NO	M 1" NPT - F 1" NPT

UPON REQUEST AVAILABLE IN BSP VERSION AND DISPLAY IN LITER  
\*N° 2X1,5V BATTERY INCLUDED

# K24