

HEATFAST®

Propane Forced-Air Construction Heater

HF45G / HF60G / HF125G / HF160G



ANSI Z83.7-2017 / CSA 2.14-2017

READ AND SAVE THESE INSTRUCTIONS

Carefully read and understand these instructions before assembling, operating, or servicing this heater. You may injure yourself or others if you do not follow the instructions. This manual has been designed to instruct you on the proper manner in which to assemble, maintain, store, and most importantly, how to operate the heater in a safe and efficient manner. Do not allow anyone who has not read these instructions to assemble, light, adjust or operate the heater.

THIS HEATER IS DESIGNED AND APPROVED FOR USE AS A CONSTRUCTION HEATER IN ACCORDANCE WITH STANDARD ANSI Z83.7 CSA 2.14. CHECK WITH YOUR LOCAL FIRE SAFETY AUTHORITY IF YOU HAVE QUESTIONS ABOUT APPLICATIONS.

This Heater Shall Be Installed And Operated In Accordance With The Regulations Of Local Authorities Having Jurisdiction, or in the absence of local codes, with the Standard for the storage and handling of liquefied petroleum gases, ANSI/NFPA 58 and the Natural gas and Propane Installation Code, CSA B149.1





CALIFORNIA PROPOSITION 65 WARNING:

This product can expose you to chemicals including carbon monoxide, which is known to the State of California to cause cancer, birth defects and/or other reproductive harm. For more information, go to www.P65warnings.ca.gov



A Subsidiary of U.S. Stove Company
227 Industrial Dr., South Pittsburg, TN
PH: (423) 837-5155
www.powerfastproducts.com

853429-0602i

-  **DANGER** indicates a hazardous situation which, if not avoided, will result in death or serious injury.
-  **WARNING** indicates a hazardous situation which, if not avoided, could result in death or serious injury.
-  **CAUTION** indicates a hazardous situation which, if not avoided, could result in minor or moderate injury.
-  **NOTICE** indicates practices unrelated to personal injury which, if not avoided, may result in property damage

 **GENERAL HAZARD WARNING**

FAILURE TO COMPLY WITH THE PRECAUTIONS AND INSTRUCTIONS PROVIDED WITH THIS HEATER CAN RESULT IN DEATH, SERIOUS BODILY INJURY AND PROPERTY LOSS OR DAMAGE FROM HAZARDS OF FIRE, EXPLOSION, BURN, ASPHYXIATION, CARBON MONOXIDE POISONING, AND / OR ELECTRICAL SHOCK.

ONLY PERSONS WHO CAN UNDERSTAND AND FOLLOW THESE INSTRUCTIONS SHOULD USE OR SERVICE THIS HEATER.

IF YOU NEED ASSISTANCE OR HEATER INFORMATION SUCH AS AN INSTRUCTIONS MANUAL, LABEL, ETC. CONTACT THE MANUFACTURER.

 **WARNING:**

FIRE, BURN, INHALATION, AND EXPLOSION HAZARD. KEEP SOLID COMBUSTIBLES, SUCH AS BUILDING MATERIALS, PAPER, OR CARDBOARD, A SAFE DISTANCE AWAY FROM THE HEATER AS RECOMMENDED BY THE INSTRUCTIONS.

NEVER USE THE HEATER IN SPACES WHICH DO OR MAY CONTAIN VOLATILE OR AIRBORNE COMBUSTIBLES, OR PRODUCTS SUCH AS GASOLINE, SOLVENTS, PAINT THINNER, DUST PARTICLES OR UNKNOWN CHEMICALS.

 **WARNING: NOT FOR HOME OR RECREATIONAL VEHICLE USE.**

 **WARNING: RISK OF CARBON MONOXIDE POISONING**

- Use this heater only in well ventilated areas! Provide at least a three square feet (2,800 sq cm) opening of outside air for every 45,000 BTU/Hr. of heater rating.
- People with breathing problems should consult a physician before using the heater.
- Early signs of carbon monoxide poisoning resemble flu-like symptoms such as headaches, dizziness, and/or nausea. If you have these symptoms, your heater may not be working properly.
- Get fresh air at once! Have the heater serviced.
- Some people are more affected by carbon monoxide than others. These include pregnant women, those with heart or lung problems, anemia, those under the influence of alcohol, or at high altitudes.
- Never use this heater in living or sleeping areas.

 **DANGER:**

THIS HEATER IS DESIGNED AND INTENDED FOR SPACE-HEATING OF BUILDINGS UNDER CONSTRUCTION AND FOR SPOT HEATING WHEN THE PRODUCTS OF COMBUSTION ARE DISCHARGED OUTDOORS.



**WARNING: Never leave the heater unattended while operating.
Disconnect the heater from its power source when not in use.**



WARNING:

Air Quality Hazard

- Do not use this heater for heating human living quarters.
- Use of direct-fired heaters in the construction environment can result in exposure to levels of CO, CO₂, And NO₂ considered to be hazardous to health and potentially life threatening.
- Do not use in unventilated areas
- Know the signs of CO and CO₂ poisoning:
 - Headaches, stinging eyes
 - Dizziness, disorientation
 - Difficulty breathing, feelings of being suffocated.
- Proper ventilation air exchange (OSHA 29 CFR 1926.57) to support combustion and maintain acceptable air quality shall be provided in accordance with OSHA 29 CFR Part 1926.154, ANSI A10.10

Safety Requirements for Temporary and Portable Space Heating Devices and Equipment used in the Construction Industry or the Natural Gas and Propane Installation Codes CSA B149.1

- Periodically monitor levels of CO, CO₂, and NO₂ existing at the construction site - at the minimum at the start of the shift and after 4 hours.
- Provide ventilation air exchange, either natural or mechanical, as required to maintain acceptable indoor air quality.
- Ensure that the flow of combustion and ventilation air exchange cannot become obstructed.
- As the building “tightens up” during the construction phases ventilation may need to be increased.

USA 8-Hr Time weighted average (OSHA 29 CFR 1926.55 App A)

CO	50 ppm
CO ₂	5000 ppm
NO ₂	N/A

USA-Ceiling Limit

(Short Term Exposure Limit = 15 minutes)

CO	N/A
CO ₂	N/A
NO ₂	5 ppm

Canada 8-Hr Time weighted average WorkSafe BC OHS Guidelines Part 5.1 and Ontario Workplaces Reg 833

CO	
CO ₂	
NO ₂	5 ppm

Canada STEL (15 minutes Reg 833/1 hour WSBC) WorkSafe BC OHS Guidelines Part 5.1 and Ontario Workplace Reg 833

CO	100 ppm
CO ₂	15000 ppm (WSBC) 30000 ppm (Reg 833)
NO ₂	1.0 ppm (WSBC) 5.0 ppm (Reg 833)



**WARNING: Never leave the heater unattended while operating.
Disconnect the heater from its power source when not in use.**

OPERATING PRECAUTIONS

This is a propane, direct-fired, propane heater. This heater was designed and certified as a construction heater in accordance with ANSI Z83.7-2017 / CSA 2.14-2017. The intended use of this heater is the temporary heating of buildings under construction, alteration or repair or for spot heating when the products of combustion are discharged outdoors. Check with your local fire safety authority if you have any questions about the application of this heater. Other standards govern the use of fuel gases and heat producing products in specific applications. Your local authority can advise you about these.

This is an unvented portable direct-fired propane heater and all of the products of combustion are released into the area being heated. This heater operates at close to 100 percent combustion efficiency but still produces carbon monoxide (CO) a deadly gas. Carbon Monoxide can build up and failure to provide adequate ventilation could result in poisoning and death.

Know the signs of CO and CO₂ poisoning:

- Headaches, stinging eyes
- Dizziness, disorientation
- Difficulty breathing, feeling of being suffocated

Monitor levels of CO when operating this heater. DO NOT USE IN UNVENTILATED AREAS.



WARNING: RISK OF CARBON MONOXIDE POISONING

- Use this heater only in well ventilated areas! Provide at least a three square feet (2,800 sq cm) opening of outside air for every 45,000 BTU/Hr. of heater rating.
- People with breathing problems should consult a physician before using the heater.
- Early signs of carbon monoxide poisoning resemble flu-like symptoms such as headaches, dizziness, and/or nausea. If you have these symptoms, your heater may not be working properly.
- Get fresh air at once! Have the heater serviced.
- Some people are more affected by carbon monoxide than others. These include pregnant women, those with heart or lung problems, anemia, those under the influence of alcohol, or at high altitudes.
- Never use this heater in living or sleeping areas.



DANGER:

An odorant has been added to LPG (propane) to give that gas a distinctive smell. That smell makes it easier to detect a leak. Some people cannot smell the odorant and must rely on electronic leak sensors.

If you detect a leak,

- DO NOT enter the premises if you notice a strong gas odor.
- EXTINGUISH all flames and heat sources.
- DO NOT smoke, or create a spark or a flame.
- DO NOT turn on any electrical switches, appliances or lights as an electrical charge could create a spark.
- DO NOT operate your garage door.
- DO NOT use your telephone.
- CLOSE all propane (LP) gas tanks.
- VACATE the area until declared safe by firefighters.
- KEEP OUT of low areas; Propane is lighter than air and settles in low lying areas.



WARNING: RISK OF ELECTRIC SHOCK

- EQUIPMENT MUST BE GROUNDED.
- Use only the power (voltage) specified for this heater. Refer to the model plate on the heater.
- Use only a three-prong grounded outlet and extension cord.
- ALWAYS install heater so that it is not directly exposed to water spray, rain, dripping water, or wind.
- ALWAYS disconnect the heater from its power source when not in use.



**WARNING: Never leave the heater unattended while operating.
Disconnect the heater from its power source when not in use.**

 **WARNING:**

1. Inspect the heater before each use and at least annually by a qualified service person. DO NOT operate a damaged heater.
2. Inspect the hose assembly prior to each use of the heater. If there is evidence there is excessive abrasion or wear, or the hose is cut, replace the hose prior to operating the heater. Use only the hose specified by PowerFast Products.
3. The hose assembly shall be protected from traffic, building materials and contact with hot surfaces both during use and while in storage.
4. DO NOT modify the heater or operate a heater which has been modified from its original condition.
5. Use only propane gas.
6. Use only VAPOR WITHDRAWAL propane supply. If there is any question about vapor withdrawal, ask your propane dealer.
7. Mount the propane cylinders vertically (shutoff valve up). Secure them from falling or being knocked over and protect them from damage.
8. Locate propane containers at least 6 ft. (1.83 m) in the U.S. and 10 ft. (3 m) in Canada from any propane cylinder.
9. DO NOT direct the heater discharge toward any propane cylinder located within 20 ft. (6 m).
10. KEEP heater clear and free of combustible materials, gasoline and other flammable vapors and liquids.
11. KEEP CHILDREN, CLOTHING, PETS AND COMBUSTIBLES AWAY FROM HEATER.
12. Operate only on a stable, level surface.
13. Do not use with duct work. Do not restrict inlet (air intake) or outlet (discharge opening).
14. Do not move, handle or service this heater while hot or burning.
15. Do not adjust the heater combustion tube elevation while heater is running or hot. Adjustments to elevation should only be made after the heater has cooled to the touch.
16. Store the heater indoors when not in use.
17. Disconnect the hose assembly from the propane cylinder when the heater is not in use. Store the propane cylinder in accordance with the Standard for the Storage and Handling of Liquefied Petroleum Gases, NFPA 58 and Natural Gas and Propane Installation Code, CSA B149.1.

MINIMUM CLEARANCE (FROM NORMAL COMBUSTIBLE MATERIAL)		
Clearance	ft	m
From floor	0	0
From outlet	6	1.8
From sides	2	0.6
From top	3	0.9

Locate 10ft from canvas or plastic tarpaulins or similar coverings and secure them to prevent flapping or movement due to wind action



**WARNING: Never leave the heater unattended while operating.
Disconnect the heater from its power source when not in use.**

SPECIFICATIONS

MODEL	HL45G	HF60G	HF125G	HF160G
Rating BTU/h	45k	40-50-60k	90-110-125k	120-135-155k
Fuel Consumption	2.1 lb/h	1.8/2.3/2.8 lb/h	4.4/5.1/5.8 lb/h	5.5/6.2/7.2 lb/h
Electrical Input	120V/60Hz/0.5A	120V/60Hz/0.5A	120V/60Hz/1.03A	120V/60Hz/1.03A
Manifold Pressure	11" W.C.	11" W.C.	8.7" W.C.	6.2" W.C.

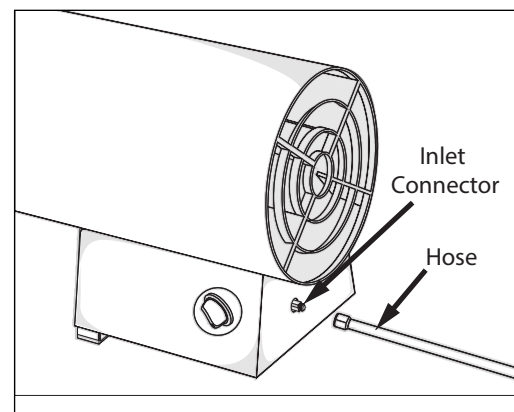
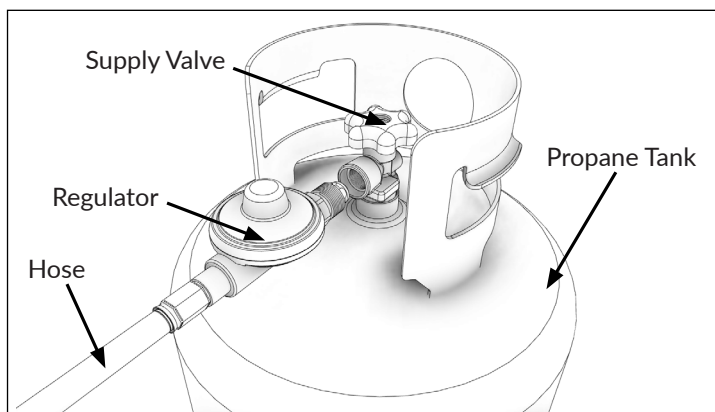
OPERATING INSTRUCTIONS

UNPACKING

1. Remove the heater from the carton.
2. Remove all packing materials applied to the heater for shipment.
3. Remove all items from the carton.
4. Check the heater for shipping damage. If heater is damaged, promptly inform PowerFast Products Group at (423) 837-5155.

INSPECTION AND PREPARATION

1. Check the heater for possible shipping damage. If there is visible damage or a missing part, immediately contact PowerFast Products Group for assistance at (423) 837-5155.
2. Inspect the hose assembly prior to using the heater. If there is evidence there is excessive abrasion or wear, or the hose is cut, replace the hose prior to operating the heater.
3. **DO NOT CONNECT THE POWER CORD TO AN OUTLET UNTIL YOU HAVE FINISHED THE PREPARATION.**
4. Connect the POL fitting of hose and regulator assembly to the propane cylinder by rotating the POL nut counterclockwise into the propane cylinder's valve outlet and securely tighten with a wrench.
5. Connect the hose to the heater by rotating the hose fitting clockwise.
6. Securely tighten all gas connections with a wrench.
7. Open the cylinder's gas valve and check all gas connections with a soap and water solution. **DO NOT USE A FLAME.** If bubbles appear, there is a leak. Tighten all of the connections and retest for leaks.
8. Unloosen the adjustment knob, set the heater to the desired height, and tighten the knob.



Connect the power cord to a 3-prong, grounded extension cord adequately rated for this application.

Extension Cord Wire Requirements:

- 6 to 10 feet (1.8 to 3 meters) long, use 18 AWG conductor.
- 11 to 100 feet (3.4 to 30.5 meters) long, use 16 AWG conductor.
- 101 to 200 feet (30.8 to 61 meters) long, use 14 AWG conductor.



**WARNING: Never leave the heater unattended while operating.
Disconnect the heater from its power source when not in use.**

LIGHTING INSTRUCTIONS

1. The Fan will operate automatically when the heater is powered up to an electrical outlet.
2. Allow the heater fan to run for 20 seconds to purge fuel (the first time you use the heater this step is unnecessary).
3. Slowly open the main gas valve at the propane cylinder.
4. Depress and rotate the valve control knob to the “★” position to ignite the fuel.
5. After the heater lights, keep the knob depressed for 30 seconds or until the thermocouple warms sufficiently to maintain combustion.
6. If the heater does not remain lit, repeat the lighting instructions.
7. Turn the knob to the desired heat setting.

SHUTDOWN INSTRUCTIONS

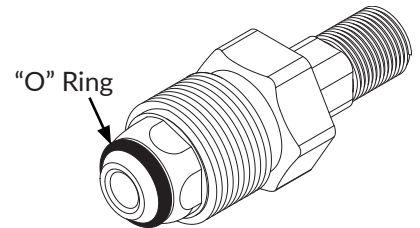
1. Tightly close the gas valve at the propane cylinder.
2. Allow the heater to purge any remaining gas from the hose.
3. Turn the control knob to the “O” position.
4. Disconnect the power cord from the power source.
5. Disconnect the hose assembly from the cylinder and store the cylinder outdoors.
6. Allow the heater to cool before moving or adjusting the heater.

RESTARTING AFTER SHUTDOWN

1. Securely close the gas valve at the propane cylinder.
2. Disconnect the heater from its power source.
3. Restart following “Start” procedure.

STORAGE AND MAINTENANCE

1. Inspect the heater before and after each use, and at least annually by a qualified service technician.
2. Inspect the hose assembly for abrasions or wear, or for cuts. If damaged, replace the hose prior to operating the heater. Before each use, check the soft “O” ring seal of the POL fitting. If the “O” ring is cut, scuffed, or otherwise damaged, replace it before using the heater.
3. Turn off the gas at the LP-gas supply cylinder(s) when the heater is not in use.
4. Store the propane cylinder in accordance with the Standard for the Storage and Handling of Liquefied Petroleum Gases, NFPA 58 and Natural Gas and Propane Installation Code, CSA B149.1. Store the cylinder outdoors and in accordance with Chapter 5 of the standard for Storage and Handling of Liquefied Petroleum Gases ANSI/NFPA 58 and CSA B 149.1, Natural Gas and Propane Installation Code.



SERVICING

At least annually, have the heater inspected and serviced by a qualified service technician. NEVER use a heater that has been modified from its original condition. For original manufacturer’s parts, contact PowerFast Products Group at (423) 837-5155.

For Troubleshooting Or Technical Support:
Call PowerFast Product Group At: (423) 837 - 5155
Or
Visit Us Online At: www.powerfastproducts.com



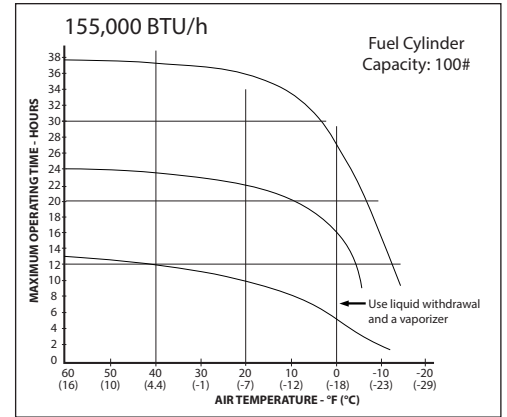
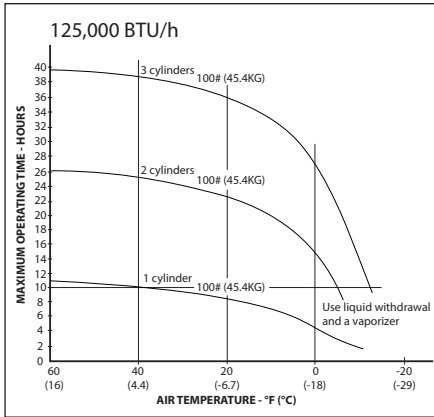
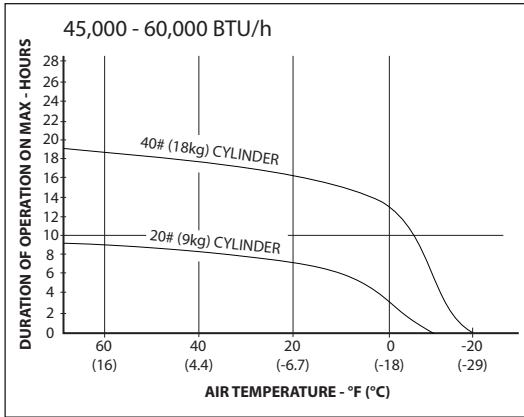
WARNING: Never leave the heater unattended while operating.
Disconnect the heater from its power source when not in use.

SIZE AND CAPACITY OF PROPANE CYLINDERS REQUIRED

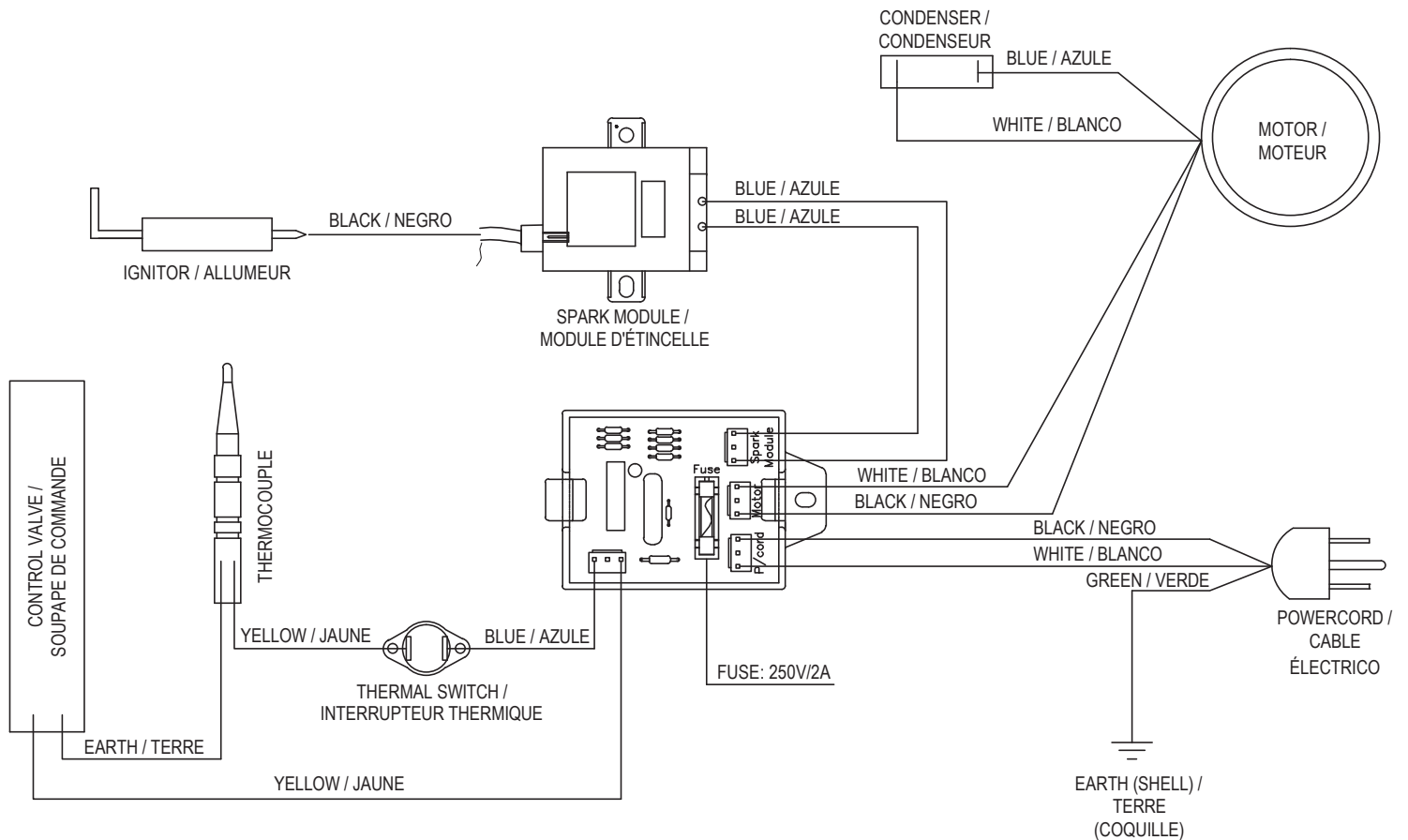
SIZE AND CAPACITY OF PROPANE CYLINDERS REQUIRED

The charts below show the approximate size of the cylinder required for these heaters. To use the chart:

1. Select the lowest air temperature expected (at the bottom of the chart).
2. Move straight up to time of operation desired (left side of chart).
3. Read the cylinder size required.

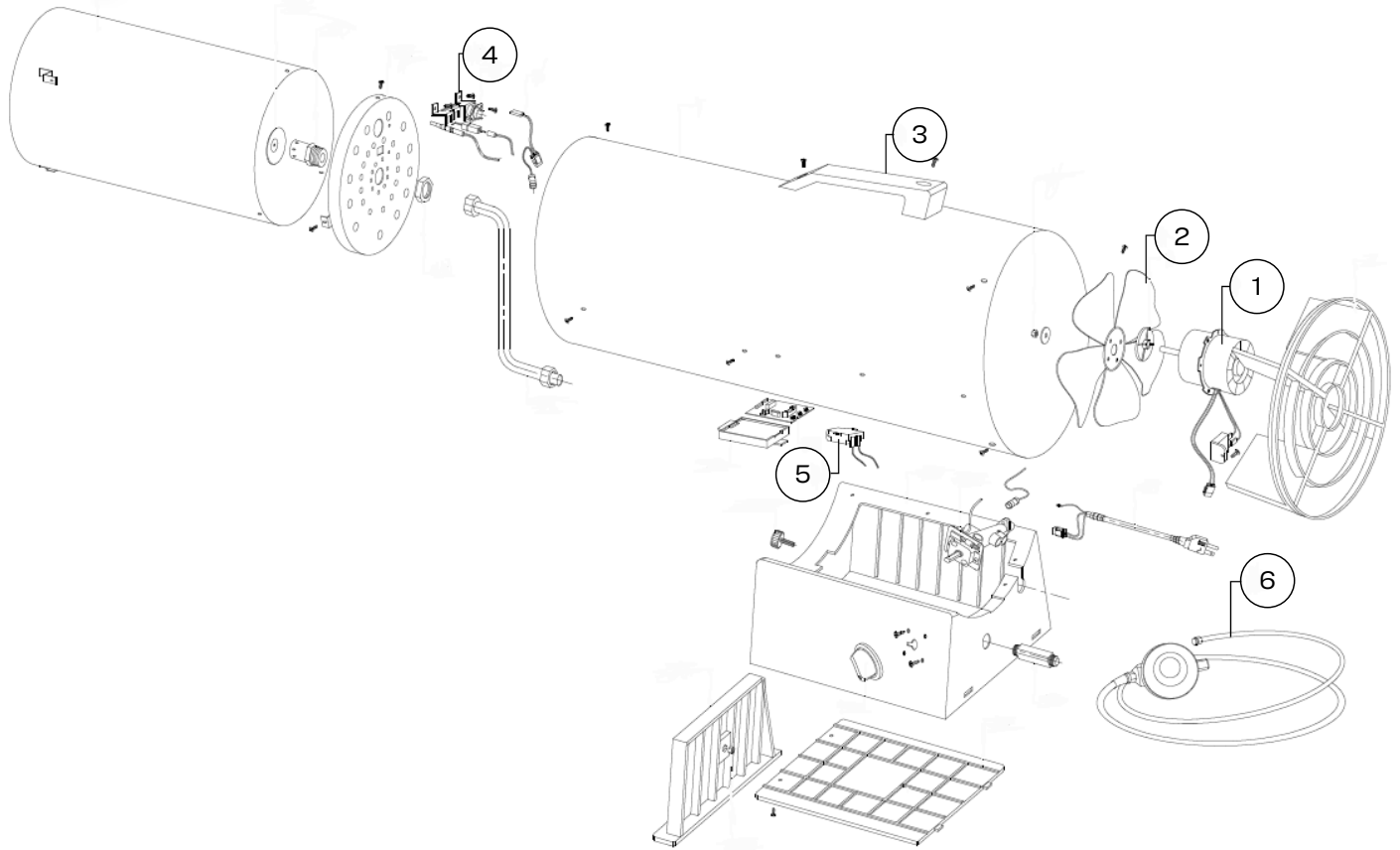


WIRING DIAGRAM



**WARNING: Never leave the heater unattended while operating.
Disconnect the heater from its power source when not in use.**

PARTS DIAGRAM



KEY	DESCRIPTION	MODEL	PART NO
1	Motor Assembly	HF45G, HF60G	80835
		HF125G, HF160G	80836
2	Fan	HF45G, HF60G	893130
		HF125G, HF160G	893131
3	Handle		893127
4	Multi Bracket Assembly	HF45G, HF60G, HF125G	893128
		HF160G	893129
5	Spark Module		80837
6	Regulator Assembly	HF45G, HF60G	81323
		HF125G, HF160G	81324

In order to maintain warranty, components must be replaced using original manufacturers parts purchased through your dealer or directly from PowerFast Products Group (423) 837-5155. Use of third party components will void the warranty.



**WARNING: Never leave the heater unattended while operating.
Disconnect the heater from its power source when not in use.**



LIMITED WARRANTY

PowerFast warrants this product, to the original retail purchaser only, to be free from defects in material and workmanship for a period of one (1) year from the date of the initial purchase as evidenced on an invoice, canceled check, sales receipt, etc. In the event of a defect, this Limited Warranty shall be limited to the repair or replacement of parts, which prove defective under normal use and service within the limited warranty period, and which PowerFast deems at its reasonable discretion. THE LIMITED WARRANTY SET FORTH HEREIN IS THE SOLE WARRANTY PROVIDED TO PURCHASER AND IS IN LIEU OF ALL OTHER WARRANTIES AND REPRESENTATIONS, EXPRESS OR IMPLIED. POWERFAST MAKES NO REPRESENTATIONS OR WARRANTIES WHATSOEVER, EXPRESS OR IMPLIED, WITH RESPECT TO THE PRODUCT, OTHER THAN (i) THE LIMITED WARRANTY ABOVE, AND (ii) ANY IMPLIED WARRANTIES IMPOSED BY APPLICABLE LAW WHICH CANNOT BE WAIVED OR DISCLAIMED UNDER APPLICABLE LAW. ALL OTHER WARRANTIES OF ANY KIND, INCLUDING WITHOUT LIMITATION IMPLIED WARRANTIES OF MERCHANTABILITY AND FITNESS FOR A PARTICULAR PURPOSE, ARE HEREBY DISCLAIMED AND EXCLUDED TO THE FULLEST EXTENT NOT PROHIBITED BY APPLICABLE LAW. This Limited Warranty gives the purchaser specific legal rights; a purchaser may have other rights depending upon where he or she resides. Some states do not allow the exclusion or limitation of special, incidental or consequential damages, or state law may affect the duration of limitations, so the above exclusion and limitations may not be applicable.

OTHER LIMITATIONS: PowerFast disclaims all other warranties for products that are purchased from sellers other than authorized retailers or distributors. This product must be properly installed, maintained and operated in accordance with the instructions provided herein. Furthermore, PowerFast requires reasonable proof of the date of purchase from an authorized retailer or distributor. This Limited Warranty does not cover any operational failures or difficulties due to normal use and wear and tear, accident, abuse, misuse, alteration, misapplication, improper installation or improper maintenance or service by you or any third party. Failure to perform normal and routine maintenance on the product, shipping damage related to animals, and damage due to weather are not covered under this Limited Warranty. In addition, this Limited Warranty does not cover damage to the finish on the product, such as scratches, dents, discoloration, rust or other weather damage. This warranty does not apply to products purchased for rental use. PowerFast assumes no responsibility for any defects caused by third parties. PowerFast does not authorize any person or company to assume for it any other obligation or liability in connection with the sale, installation, use, removal, return, or replacement of its products, and no such representations are binding on PowerFast.

CLAIM PROCEDURE: All transportation costs for the return of the damaged product or parts will be the responsibility of the purchaser. Upon receipt of the product, PowerFast will examine it and determine if the product contains a defect. PowerFast will repair or replace and return the item, freight pr-paid. If PowerFast finds the item to be in normal operating condition, or not defective, the item will be returned freight collect. Purchaser shall specify the model number(s) and serial number(s) of any product(s) when making any claims with PowerFast. Please use the following to identify your product:

Model #: _____

Serial #: _____

GARANTIE LIMITEE



L'entreprise PowerFast garantit ce produit, seulement à l'acheteur commercial original, d'être sans défaut matériel ou manutentionnaire pour une période d'un (1) an, à partir de la date d'achat initiale, tel que convenu sur la facture, sur le chèque annulé sur le reçu de l'achat, etc. En cas de défaut, cette garantie limitée est limitée à la réparation ou au remplacement des pièces qui se prouvent défectueuses selon l'usage normal et le service normal, convenu à l'intérieur de la garantie limitée, et qui est jugé convenable à la discrétion de PowerFast. LA GARANTIE LIMITEE DÉNOTÉE CI-JOINT EST LA SEULE GARANTIE FOURNIE À L'ACHETEUR ET EST EN LIEU DE TOUT AUTRE GARANTIE OU REPRÉSENTATION, EXPRESSE OU IMPLICITE. POWERFAST NE FAIT AUCUNE REPRÉSENTATION OU GARANTIE QUE CE SOIT, QU'ELLE SOIT IMPLICITE OU EXPRESSE, EN RESPECT AU PRODUIT, AUTRE QUE (i) LA GARANTIE LIMITEE MENTIONNÉE CI-DESSUS, ET (ii) TOUTE GARANTIE IMPLICITE IMPOSÉE PAR LA LOI APPLICATION QUI NE PEUT ÊTRE ANNULÉE OU DÉCLINÉE SELON LA LOI APPLICABLE. TOUTE AUTRE GARANTIE, DE TOUT GENRE, INCLUANT MAIS SANS S'Y LIMITER AUX GARANTIES IMPLICITES DE QUALITÉ MARCHANDE OU D'APTITUDE POUR UN BUT PARTICULIER, SONT DONC DÉCLINÉES ET EXCLUSES AU PLUS HAUT POINT SELON LA LOI APPLICABLE. Cette garantie limitée donne à l'acheteur des droits légaux spécifiques; un acheteur pourrait avoir des droits différents selon son lieu de résidence. Certains états ne permettent pas l'exclusion ou la limitation de dommages spécifiques, accessoires ou consécutifs, ou des lois d'état qui peuvent affecter la durée des limitations, l'exclusion et les limitations précédentes pourraient ne pas s'appliquer.

AUTRES LIMITATIONS: PowerFast décline toutes autres garanties pour les produits qui sont achetés auprès d'autres vendeurs que ceux autorisés. Ce produit doit être proprement installé, entretenu et doit fonctionner selon les instructions ci-jointes. De plus, PowerFast requiert une preuve raisonnable de la date d'achat effectuée auprès du fournisseur ou du distributeur autorisé. Cette garantie limitée ne couvre pas les échecs ou les difficultés opérationnelles dus à un usage régulier et à l'usure, aux accidents, aux abus, à l'abus, aux altérations, à l'installation ou à l'entretien incorrects effectués par vous ou par une troisième partie. Un échec d'effectuer l'entretien normal et routinier de ce produit, les dommages d'expédition, les dommages effectués par des animaux, et ceux faits par les événements météorologiques ne sont pas couverts dans cette garantie limitée. Également, cette garantie limitée ne couvre pas le dommage fait au fini de ce produit, comme les égratignures, les bosses, la discoloration du produit, la rouille ou tout autres dommages faits par les événements météorologiques. Cette garantie ne s'applique pas aux produits achetés pour la location. PowerFast n'assume aucune responsabilité envers les défauts effectués par des troisième parties. PowerFast n'autorise aucune personne ou aucune entreprise d'assumer pour elle-même toute obligation ou toute forme de responsabilité pour la vente, l'installation, l'utilisateur, l'enlèvement, le retour ou le remplacement de ses produits, et aucune de ces représentations ne permette de lier PowerFast.

PROCÉDURE DE RÉCLAMATION: Tous les coûts de transport pour le retour d'un produit ou de pièces endommagées seront de la responsabilité de l'acheteur. Au moment de la réception du produit, PowerFast examinera et déterminera si le produit est défectueux ou non. PowerFast réparera ou remplacera le produit, par transport prépayé. Si PowerFast trouve que le produit fonctionne selon les normes de fonctionnement normales, et qu'il n'est pas défectueux, le produit sera retourné par port dû. Les acheteurs devront spécifier le numéro du modèle et le numéro de série de tout produit lorsqu'ils feront les réclamations auprès d'PowerFast. Veuillez fournir les informations suivantes afin d'identifier votre produit:

Modèle #:

No de série:

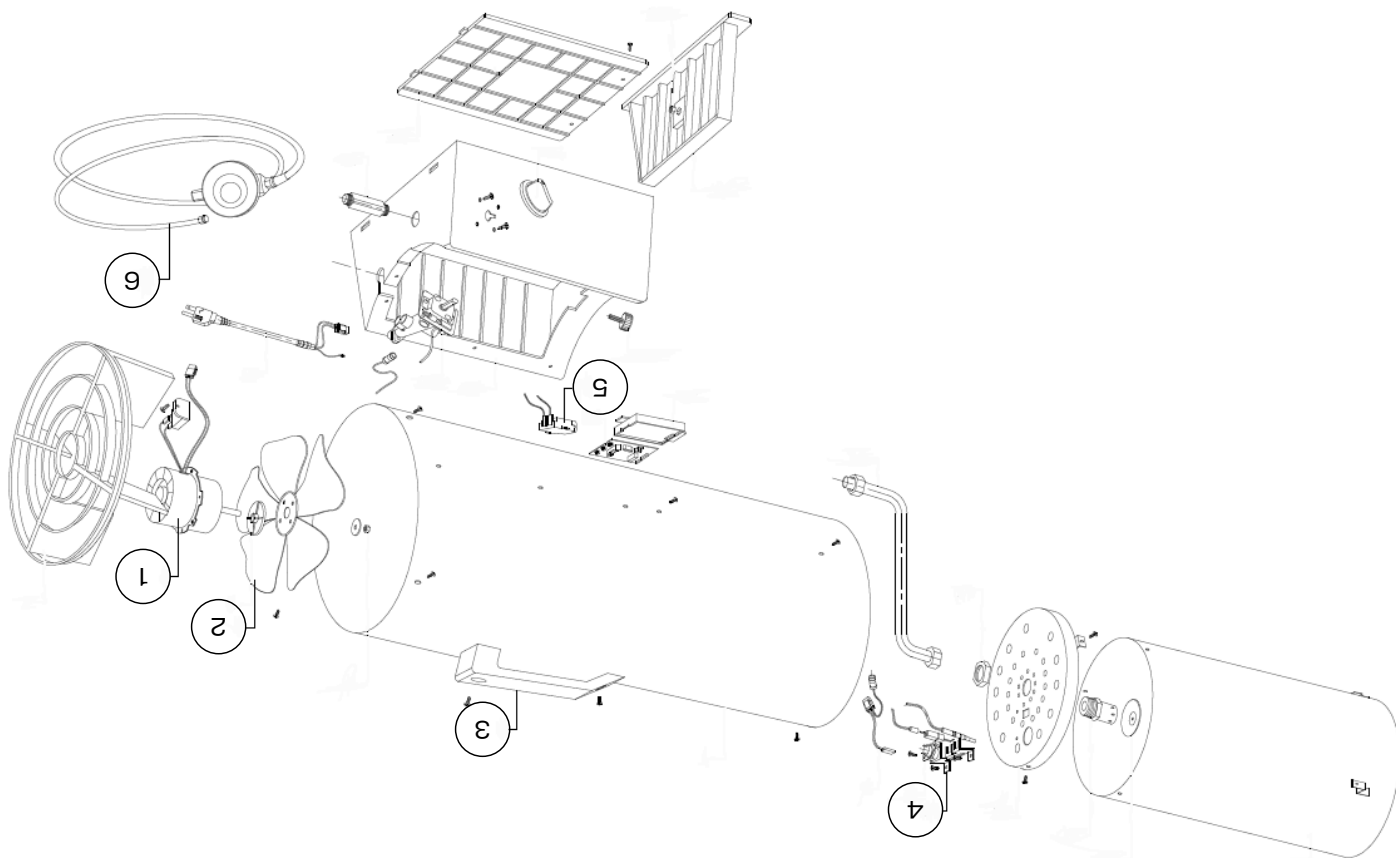


AVERTISSEMENT : Ne laissez jamais ce radiateur sans surveillance lorsqu'il fonctionne. Toujours débrancher ce radiateur lorsque vous ne l'utilisez pas.

-9-

Afin de conserver la garantie, les composants doivent être remplacés à l'aide des pièces d'origine du fabricant achetées auprès de votre détaillant ou directement auprès de PowerFast Product Group (423) 837-5155. L'utilisation de composants provenant de tiers annulera la garantie.

RÉFÉRENCE	DESCRIPTION	MODÈLE	NO. DE PIÈCE
1	Assemblage du moteur	HF125G, HF160G	80836
		HF45G, HF60G	80835
2	Ventilateur	HF125G, HF160G	893131
		HF45G, HF60G	893130
3	Poignée		893127
4	Assemblage du support multiple	HF125G, HF60G, HF45G, HF60G, HF125G	893128
		HF160G	893129
5	Module d'allumage		80837
6	Assemblage du régulateur	HF45G, HF60G	81323
		HF125G, HF160G	81324



SCHEMA DES PIÈCES

TAILLE ET CAPACITÉ DES VÉRINS DE PROPANE REQUISES

TAILLE ET CAPACITÉ DES BOUTEILLES DE PROPANE REQUISES

Les tableaux ci-dessous indiquent la taille approximative de la bouteille requise pour ces radiateurs. Pour utiliser le tableau :

1. Sélectionnez la température d'air la plus basse prévue (en bas du tableau).
2. Déplacez-vous vers le haut vers la durée de fonctionnement souhaitée (côté gauche du tableau).
3. Lisez la taille de bouteille requise.

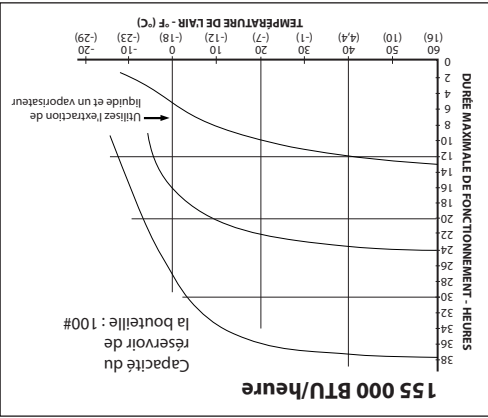
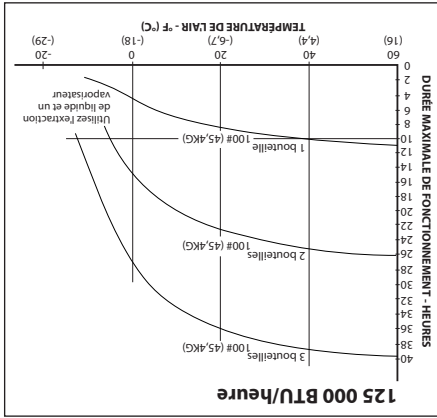
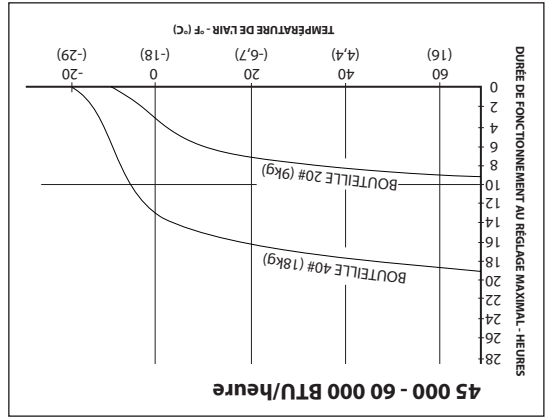
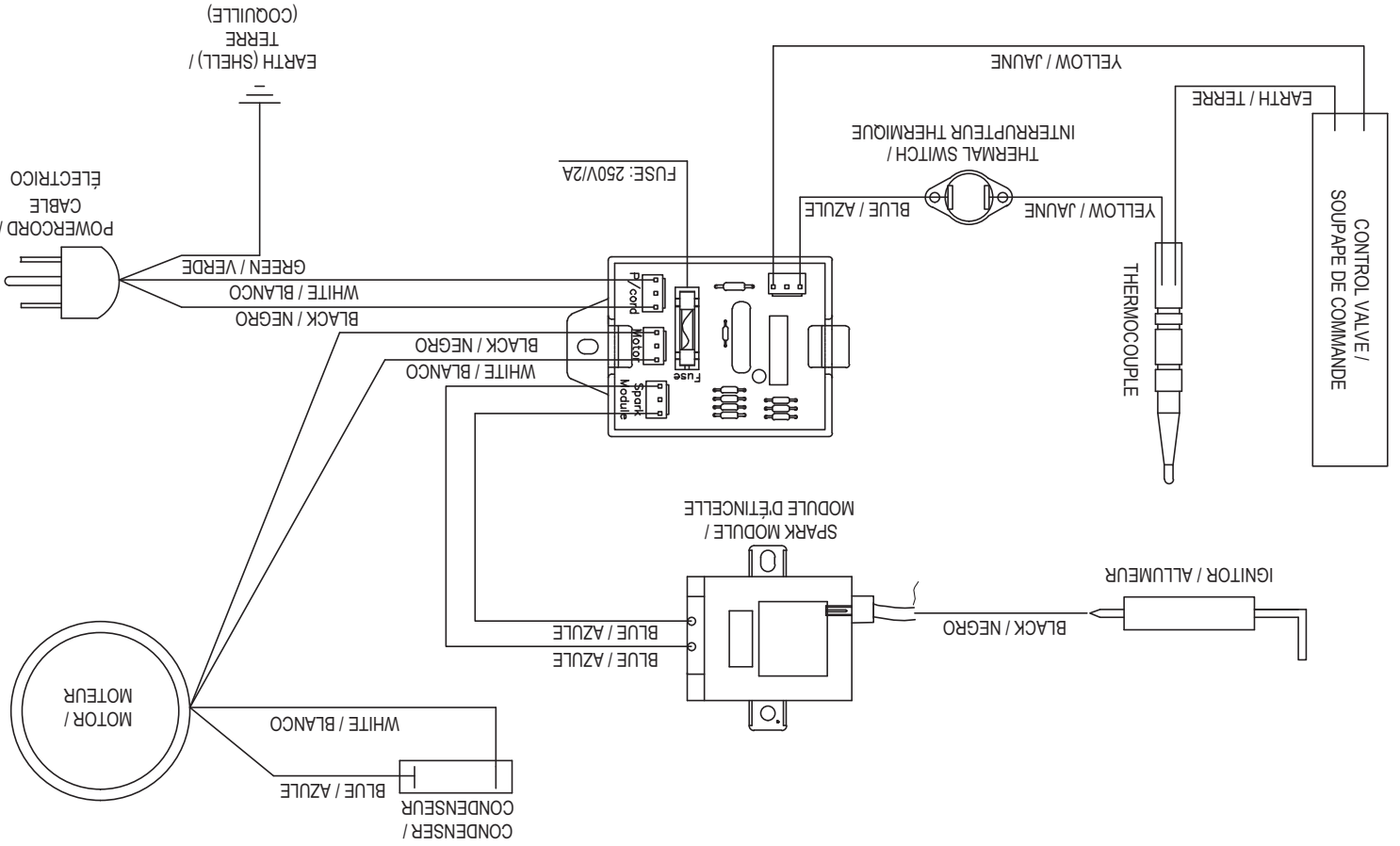


DIAGRAMME DE CÂBLAGE



AVERTISSEMENT : Ne laissez jamais ce radiateur sans surveillance lorsqu'il fonctionne. Toujours débrancher ce radiateur lorsque vous ne l'utilisez pas.





AVERTISSEMENT : Ne laissez jamais ce radiateur sans surveillance lorsqu'il fonctionne. Toujours débrancher ce radiateur lorsque vous ne l'utilisez pas.

Visitez-nous en ligne à : www.powerfastproducts.com

Ou

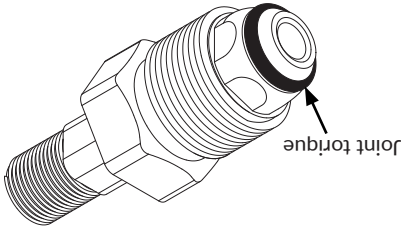
Appelez le groupe de produits PowerFast au : (423) 837 - 5155

Pour le dépannage ou le support technique:

Veillez soumettre le radiateur à une inspection et un entretien par un technicien qualifié et ce, au moins une fois par an. NE JAMAIS utiliser un radiateur qui a été modifié de sa condition originale. Pour vous renseigner sur les pièces du fabricant, veuillez appeler PowerFast Product Group au (423) 837-5155.

ENTRETIEN

1. Le radiateur devrait être inspecté avant chaque utilisation et au moins une fois par année par un technicien qualifié.
2. Inspectez l'assemblage du tuyau pour déceler la présence d'abrasion, de coupures ou d'usure. Si celui-ci est endommagé, veuillez le remplacer avant de faire fonctionner le radiateur. Assurez-vous de vérifier le joint torique souple du raccord POL avant chaque utilisation. Si le joint torique est coupé, rayé ou endommagé, remplacez-le immédiatement avant d'utiliser le radiateur.
3. Coupez l'alimentation en gaz au niveau de la bouteille d'alimentation en GPL lorsque ce radiateur n'est pas utilisé.
4. Veillez stocker la bouteille de propane conformément à la Norme pour le Stockage et la manipulation des gaz de pétrole liquéfiés NFPA 58 et au Code CAN/CSA B149.1 d'installation du gaz naturel et du propane. Veillez stocker la bouteille à l'extérieur et conformément au Chapitre 5 de la Norme pour le Stockage et la manipulation des gaz de pétrole liquéfiés NFPA 58 et au Code CAN/CSA B149.1 d'installation du gaz naturel et du propane.




ENTREPOSAGE ET ENTRETIEN

1. Fermez complètement la vanne de gaz sur la bouteille de propane.
2. Débranchez le radiateur de sa source d'énergie.
3. Redémarrez en suivant la procédure « Démarrer ».

REDÉMARRER APRÈS L'ARRÊT

1. Fermez complètement la vanne de gaz sur la bouteille de propane.
2. Laissez le radiateur évacuer tout le gaz restant du tuyau.
3. Tournez le bouton de commande sur la position « O ».
4. Débranchez le cordon d'alimentation de la source d'énergie.
5. Débranchez l'assemblage du tuyau de la bouteille et entreposez la bouteille à l'extérieur.
6. Laissez le radiateur se refroidir avant de le déplacer ou de l'ajuster.

INSTRUCTIONS D'ARRÊT

1. Le ventilateur fonctionnera automatiquement lorsque le radiateur sera branché à une prise électrique.
2. Laissez toujours le ventilateur du radiateur fonctionner pendant 20 secondes afin d'éliminer le carburant (la première fois que vous utiliserez le radiateur, cette étape ne sera pas nécessaire).
3. Ouvrez délicatement la vanne de gaz principale sur la bouteille de propane.
4. Enfoncez et tournez le bouton de commande de la vanne à la position «  » pour libérer le carburant.
5. Dès que la radiateur se met en marche, maintenez le bouton de commande enfoncé pendant 30 secondes ou bien jusqu'à ce que le thermocouple se réchauffe suffisamment pour permettre la combustion.
6. Si le radiateur ne reste pas allumé, répétez les instructions d'allumage.
7. Tournez le bouton de commande à la température désirée.

INSTRUCTIONS D'ALLUMAGE

SPÉCIFICATIONS

MODÈLE	HF45G	HF60G	HF125G	HF160G
Classement BTU/heure	45mille	40-50-60mille	90-110-125mille	120-135-155mille
Consommation de carburant	2.1 lb/h	1,8/2,3/2,8 livres/heure	4,4/5,1/5,8 livres/heure	5,5/6,2/7,2 livres/heure
Entrée électrique	120 V/60 Hz/0,5 A	120 V/60 Hz/0,5 A	120 V/60 Hz/1,03 A	120 V/60 Hz/1,03 A
Pression d'admission	11 po CE	11 po CE	8,7 po CE	6,2 po CE

CONSIGNES D'UTILISATION

DÉBALLAGE

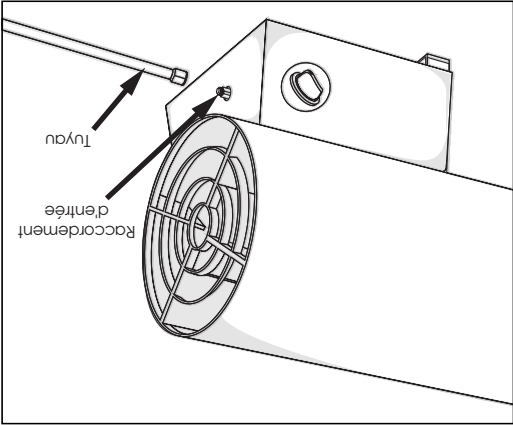
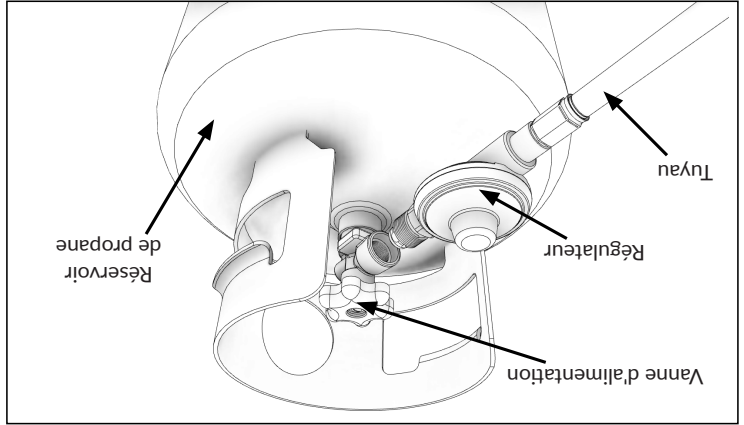
1. Retirez le radiateur de la boîte.
2. Enlevez tous les produits d'emballage de la boîte associés au radiateur.
3. Enlevez tous les articles de la boîte.
4. Vérifiez le radiateur afin de déceler la présence possible de dommages au cours de l'expédition. Si le radiateur est endommagé, veuillez informer rapidement PowerFast Product Group au (423) 837-5155.

INSPECTION ET PRÉPARATION

1. Vérifiez le radiateur afin de déceler la présence de dommages au cours de l'expédition. Si vous constatez la présence de dégâts visibles ou pièces manquantes, veuillez communiquer immédiatement avec PowerFast Product Group au (423) 837-5155 pour demander de l'aide.
2. Inspectez l'assemblage du tuyau avant d'utiliser le radiateur. Si vous détectez des signes d'abrasion ou d'usure excessive, ou si le tuyau est coupé, veuillez remplacer le tuyau avant de faire fonctionner le radiateur.
3. NE BRANCHEZ PAS LE CORDON D'ALIMENTATION À UNE PRISE AVANT D'AVOIR TERMINÉ LA PRÉPARATION.

4. Branchez le raccord POL du tuyau et de l'assemblage du régulateur à la bouteille de propane en tournant l'écrou POL dans le sens antihoraire dans la sortie de la vanne de la bouteille de propane et en serrant fermement à l'aide d'une clé.
5. Connectez le tuyau au radiateur en tournant la fixation du tuyau en sens horaire.
6. Serrez fermement tous les raccords de gaz à l'aide d'une clé.
7. Ouvrez la vanne de gaz de la bouteille et vérifiez tous les raccords à l'aide d'une solution à base de savon et d'eau. N'UTILISEZ PAS DE FLAMME OUVERTE. Si des bulles apparaissent à l'un des raccords, il y a une fuite. Serrez fermement tous les raccords et effectuez à nouveau un test pour détecter la présence de fuites.

8. Desserrez le bouton de réglage, configurez le radiateur à la hauteur souhaitée et resserrez le bouton.



Branchez le cordon d'alimentation à une rallonge mise à la terre à 3 volets correctement calibrée pour cette application. Exigences de longueur de la rallonge :

- 6 à 10 pieds (1,8 à 3 mètres): utilisez un conducteur 18 AWG.
- 11 à 100 pieds (3,4 à 30,5 mètres): utilisez un conducteur 16 AWG.
- 101 à 200 pieds (30,8 à 61 mètres): utilisez un conducteur 14 AWG.

AVERTISSEMENT : Ne laissez jamais ce radiateur sans surveillance lorsqu'il fonctionne. Toujours débrancher ce radiateur lorsque vous ne l'utilisez pas.





AVERTISSEMENT : Ne laissez jamais ce radiateur sans surveillance lorsqu'il fonctionne. Toujours débrancher ce radiateur lorsque vous ne l'utilisez pas.

ESPACES DE DÉGAGEMENT MINIMUMS (DES MATÉRIAUX COMBUSTIBLES NORMAUX)		
Espace de dégagement	pi	m
Du plancher	0	0
De la prise	6	1,8
Des côtés	2	0,6
Du plafond	3	0,9
Placez l'appareil à 10 pieds (3 m) des bâches en toile ou en plastique ou d'autres couvertures semblables et fixez-les afin d'empêcher le battement ou le mouvement en raison des vents.		



1. Le radiateur doit être inspecté avant chaque utilisation et au moins une fois par année par un technicien qualifié. NE PAS faire fonctionner un radiateur endommagé.
2. Inspectez l'assemblage du tuyau avant chaque utilisation du radiateur. Si vous détectez des signes d'abrasion ou d'usure excessive, ou si le tuyau est coupé, veuillez remplacer le tuyau avant de faire fonctionner le radiateur. N'utilisez que les tuyaux spécifiés par PowerFast Products.
3. L'assemblage du tuyau doit être protégé contre la circulation, les matériaux de construction et tout contact avec des surfaces chaudes lors de son utilisation et une fois stocké.
4. NE PAS modifier le radiateur ou faire fonctionner un radiateur qui a été modifié de sa condition originale.
5. Utilisez uniquement du gaz propane.
6. Utilisez uniquement du propane configuré pour le SOUTIRAGE DE VAPEUR. Si vous avez des questions au sujet du souffrage de propane, veuillez communiquer avec votre détaillant de propane.
7. Assemblez les bouteilles de propane à la verticale (la vanne de fermeture vers le haut). Fixez-les afin qu'elles ne tombent pas et qu'elles ne soient pas renversées et protégez-les des dommages.
8. Placez les contenants de propane à au moins 6 pi (1,83 m) aux E.-U. et 10 pi (3 m) au Canada à partir de toute bouteille de propane.
9. NE PAS orienter la décharge du radiateur vers une bouteille de propane située à une distance de 20 pi (6 m).
10. GARDEZ le radiateur dégagé et exempt de tous matériaux combustibles, d'essence et d'autres vapeurs et liquides inflammables.
11. TENIR LES ENFANTS, VÊTEMENTS, ANIMAUX DOMESTIQUES ET MATÉRIAUX COMBUSTIBLES ÉLOIGNÉS DU RADIATEUR.
12. Faites fonctionner ce produit sur une surface stable et au niveau seulement.
13. Ne pas utiliser avec des conduites. Ne pas boucher l'entrée (entrée d'air) ou la sortie (ouverture de déchargement).
14. Ne pas déplacer, manipuler ou effectuer le service du radiateur pendant que celui-ci brûle ou est chaud.
15. N'ajustez pas l'élevation du tube à combustion du radiateur pendant que celui-ci fonctionne ou est chaud. Les ajustements de hauteur devraient uniquement être effectués une fois que le radiateur est froid au toucher.
16. Veuillez entreposer ce radiateur à l'intérieur lorsque vous ne l'utilisez pas.
17. Veuillez débrancher l'assemblage du tuyau de la bouteille de propane lorsque vous n'utilisez pas le radiateur. Veuillez stocker la bouteille de propane conformément à la Norme pour le stockage et la manipulation des gaz de pétrole liquéfiés, ANS / NFPA 58 et au Code CAN/CSA B149.1 d'installation du gaz naturel et du propane.

PRÉCAUTIONS D'UTILISATION

Il s'agit d'un radiateur à chauffage direct et alimenté au propane. Ce radiateur a été conçu et certifié pour être utilisé comme radiateur de construction conformément aux normes ANSI Z83.7-2017 / CSA 2.14-2017. Ce radiateur a été conçu pour le chauffage temporaire des bâtiments en construction, la modification ou la réparation ou le chauffage localisé lorsque les produits de combustion sont libérés à l'extérieur. Pour toute question concernant l'application de ce radiateur, veuillez vous adresser à votre service d'incendie local. D'autres normes régissent l'utilisation des gaz combustibles et des appareils produisant de la chaleur pour des utilisations spécifiques. Les autorités locales peuvent vous renseigner à ce sujet.

Il s'agit d'un radiateur au propane à feu direct portatif et non ventilé et tous les produits de combustion sont libérés dans la zone chauffée. Ce radiateur fonctionne à un rendement de presque 100 pour cent de combustion mais produit tout de même un petit montant de monoxyde de carbone (CO), un gaz mortel. Le monoxyde de carbone peut s'accumuler et le manque de ventilation adéquate pourrait entraîner un empoisonnement voire la mort.

Bien connaître les signes d'empoisonnement au CO et CO₂ :

- Maux de tête, brûlure des yeux
- Étourdissements, désorientation
- Difficultés respiratoires, sensation d'étouffement.

Veuillez surveiller les niveaux de CO lorsque vous utilisez ce radiateur. NE PAS UTILISER DANS LES ENDROITS NON VENTILÉS.

AVERTISSEMENT : RISQUE D'EMPOISONNEMENT AU MONOXYDE DE CARBONE

- Utilisez ce radiateur uniquement dans des endroits bien ventilés! Offrez au moins une ouverture de trois pieds carrés (2 800 cm²) d'air extérieur pour chaque mesure de 45 000 BTU/heure du taux de combustion du radiateur.
- Les gens souffrant de problèmes respiratoires doivent consulter un médecin avant d'utiliser ce radiateur.
- Des signes précoces d'empoisonnement au monoxyde de carbone ressemblent à des symptômes typiques de la grippe, comme des maux de tête, des étourdissements ou de la nausée. Si vous éprouvez ces

- Certains personnes peuvent être davantage affectées par le monoxyde de carbone. Ces personnes incluent les femmes enceintes, les personnes âgées ou celles souffrant de problèmes cardiaques ou pulmonaires, les personnes souffrant d'anémie ou celles étant sous influence d'alcool, ou se trouvant à haute altitude.
- Ne jamais utiliser ce radiateur dans les chambres à coucher.

DANGER :

Une substance odorante a été ajoutée au GPL (propane) pour lui donner une odeur distincte. Cette odeur facilite la détection de fuites. Certaines personnes n'arrivent pas à sentir la substance odorante et doivent se fier à des détecteurs de fuites électroniques.

Si vous détectez une fuite,

- NE PÉNÉTRER PAS dans les locaux si vous détectez une forte odeur de gaz.
- ÉTEIGNEZ toutes les flammes et sources de chaleur.
- NE fumez PAS et NE créez PAS d'étincelles ou de flammes.
- N'allumez PAS d'interrupteurs électriques NI d'appareils ou lumières car une charge électrique pourrait créer une étincelle.
- N'actionnez-PAS votre porte de garage.

L'ÉQUIPEMENT DOIT ÊTRE MIS À LA TERRE.

- Utilisez uniquement la tension d'alimentation spécifiée pour ce radiateur.
- Veuillez vous reporter à la plaque signalétique du modèle sur le radiateur.
- Installez TOUJOURS le radiateur de sorte qu'il ne soit pas exposé à de l'eau vaporisée, à la pluie, à de l'égouttement et au vent.
- TOUJOURS débrancher ce radiateur de la source d'alimentation lorsque vous ne l'utilisez pas.

AVERTISSEMENT : RISQUE DE CHOC ÉLECTRIQUE

AVERTISSEMENT : Ne laissez jamais ce radiateur sans surveillance lorsqu'il fonctionne. Toujours débrancher ce radiateur lorsque vous ne l'utilisez pas.






AVERTISSEMENT : Ne laissez jamais ce radiateur sans surveillance lorsqu'il fonctionne. Toujours débrancher ce radiateur lorsque vous ne l'utilisez pas.

Canada Moyenne pondérée dans le temps sur 8 heures, directives de WorkSafe BC en matière de santé et de sécurité au travail, partie 5.1, et lieu de travail de l'Ontario relatif au lieu de travail 833	CO ₂	5 ppm	NO ₂	1.0 ppm (WSBC)
	CO	100 ppm	CO ₂	15000 ppm (WSBC)
	CO	100 ppm	CO ₂	30000 ppm (Reg 833)
	CO	100 ppm	NO ₂	5.0 ppm (Reg 833)

Canada STEL (15 minutes, Reg. 833/1 heure, WSBC), Directives sur la santé et la sécurité au travail de la Colombie-Britannique, partie 5.1, et Règlementation sur le lieu de travail de l'Ontario 833

États-Unis Moyenne pondérée dans le temps sur 8 heures (OS A 29 CFR 1926.55 App A)	CO ₂	5000 ppm	NO ₂	5 ppm
	CO	50 ppm	CO ₂	N/A
	CO	50 ppm	CO ₂	N/A
	CO	50 ppm	NO ₂	5 ppm

États-Unis - limite de plafond (limite d'exposition à court terme = 15 minutes)

AVERTISSEMENT :  **Risque de mauvaise qualité de l'air**

- N'utilisez pas ce radiateur pour chauffer des logements humains.
- L'utilisation de radiateurs à feu direct dans l'environnement de construction peut conduire à une exposition à des niveaux de CO, CO₂ et NO₂ considérés comme étant dangereux pour la santé et potentiellement mortels.
- Ne pas l'utiliser dans les endroits non ventilés.
- Bien connaître les signes d'empoisonnement au CO et CO₂ :
 - Maux de tête, brûlure des yeux
 - Étourdissements, désorientation
 - Difficultés respiratoires, sensation d'étouffement.
- Une ventilation et circulation d'air adéquates (OSHA 29 CFR 1926.57) visant à soutenir la combustion et à maintenir une qualité de l'air appropriée devront être fournies conformément aux réglementations en matière de sécurité de l'OSHA 29 CFR Partie 1926.154

et de la norme ANSI A10.10 pour les dispositifs et équipements de chauffage d'espaces temporaires et portatifs utilisés dans l'industrie de la construction ou aux Codes d'installation du gaz naturel et du propane CSA B149.1.

- Veuillez suivre périodiquement les niveaux de CO, CO₂ et NO₂ existant sur le site de construction - au moins au début du quart et toutes les 4 heures par la suite.
- Veuillez fournir une ventilation et circulation d'air adéquates, naturelles ou mécaniques, tel que requis afin de maintenir une qualité de l'air intérieur acceptable.
- Assurez-vous que le flux d'air de combustion et de ventilation n'est pas obstrué.
- Comme le bâtiment « se resserrera » au cours des étapes de construction, il se peut que la ventilation doive être augmentée.



AVERTISSEMENT : Ne laissez jamais ce radiateur sans surveillance lorsqu'il fonctionne. Toujours débrancher ce radiateur lorsque vous ne l'utilisez pas.

DANGER:



CET APPAREIL DE CHAUFFAGE EST CONÇU ET PRÉVU POUR LE CHAUFFAGE SPATIAL DES BÂTIMENTS EN CONSTRUCTION ET POUR LE CHAUFFAGE DES EMBLACEMENTS LORSQU'ILS SONT DÉCHARGÉS À L'AIR.

AVERTISSEMENT : RISQUE D'EMPOISONNEMENT AU MONOXYDE DE CARBONE



- Utilisez ce radiateur uniquement dans des endroits bien ventilés! Offrez au moins une ouverture de trois pieds carrés (2 800 cm²) d'air extérieur pour chaque mesure de 45 000 BTU/heure du taux de combustion du radiateur.
- Les gens souffrant de problèmes respiratoires doivent consulter un médecin avant d'utiliser ce radiateur.
- Des signes précoces d'empoisonnement au monoxyde de carbone ressemblent à des symptômes typiques de la grippe, comme des maux de tête, des étourdissements ou de la nausée. Si vous éprouvez ces symptômes, votre radiateur pourrait mal fonctionner.
- Sortez immédiatement à l'air frais! Faites vérifier votre radiateur.
- Certaines personnes peuvent être davantage affectées par le monoxyde de carbone. Ces personnes incluent les femmes enceintes, les personnes avec des problèmes cardiaques ou pulmonaires, les personnes souffrant d'anémie ou celles étant sous influence d'alcool, ou se trouvant à haute altitude.
- Ne jamais utiliser ce radiateur dans les chambres à coucher.

AVERTISSEMENT : N'EST PAS DESTINÉ À UN USAGE À DOMICILE OU DANS LES VÉHICULES RÉCRÉATIFS.



N'UTILISEZ JAMAIS CE RADIATEUR DANS DES ESPACES CONTENANT OU POUVANT CONTENIR DES MATIÈRES INFLAMMABLES EN SUSPENSION DANS L'AIR OU VOLATILES, OU DES PRODUITS COMME DE L'ESSENCE, DES SOLVANTS, DU DILUANT DE PEINTURE, DES PARTICULES DE POUSSIÈRE OU DES PRODUITS CHIMIQUES INCONNUS.

LES MATÉRIAUX DE CONSTRUCTION, LE PAPIER OU LE CARTON, À UNE DISTANCE SÉCURITAIRE DE CE RADIATEUR, RISQUE D'INCENDIE, DE BRÛLURE, D'INHALATION ET D'EXPLOSION. ÉLOIGNEZ LES COMBUSTIBLES SOLIDES, COMME TEL QUE RECOMMANDÉ DANS LES INSTRUCTIONS.

AVERTISSEMENT :



LE NON-RESPECT DES PRÉCAUTIONS ET DES INSTRUCTIONS FOURNIES AVEC CE RADIATEUR PEUT ENTRAÎNER LA MORT, DES BLESSURES GRAVES, DES PERTES OU DOMMAGES MATÉRIELS CAUSÉS PAR LES RISQUES D'INCENDIE, D'EXPLOSION, DE BRÛLURE, D'ASPHYXIE, D'INTOXICATION, D'EMPOISONNEMENT AU MONOXYDE DE CARBONE ET/OU DE CHOC ÉLECTRIQUE.

SEULES LES PERSONNES QUI PEUVENT COMPRENDRE ET RESPECTER CES INSTRUCTIONS DOIVENT UTILISER OU ENTREtenir CE RADIATEUR.

SI VOUS AVEZ BESOIN D'AIDE OU D'INFORMATIONS SUR LE RADIATEUR COMME LE MANUEL D'INSTRUCTION, LES ÉTIQUETTES, ETC. VEUILLEZ CONTACTER LE FABRICANT.

AVERTISSEMENT DE RISQUE GÉNÉRAL



DANGER indique une situation dangereuse imminente qui, si elle n'est pas évitée, entraînera la mort ou des blessures graves.



AVERTISSEMENT indique une situation dangereuse, qui, si elle n'est pas évitée, pourrait causer la mort ou des blessures graves.



ATTENTION indique une situation dangereuse, qui, si elle n'est pas évitée, pourrait causer des blessures mineures ou modérées.




AVIS indique des pratiques sans rapport avec les blessures corporelles qui, si elles ne sont pas résolues, pourraient entraîner des dommages matériels.





A Subsidiary of U.S. Stove Company
 227 Industrial Dr., South Pittsburg, TN
 PH: (423) 837-5155
 www.powerfastproducts.com

PROPOSITION 65 DE LA CALIFORNIE AVERTISSEMENT:  Ce produit peut vous exposer à des produits chimiques, y compris le monoxyde de carbone, qui est connu dans l'État de Californie pour causer le cancer, des malformations congénitales et/ou d'autres problèmes de reproduction. Pour plus d'informations, visitez www.P65warnings.ca.gov

Ce radiateur doit être installé et utilisé conformément aux réglementations des autorités compétentes locales ou, dans l'absence de codes locaux, à la Norme pour le Stockage et la manipulation des gaz de pétrole liquéfiés, ANSI / NFPA 58 et au Code CAN/CSA B149.1 d'installation du gaz naturel et du propane.

CE RADIATEUR A ÉTÉ CONÇU ET CERTIFIÉ POUR ÊTRE UTILISÉ COMME RADIATEUR DE CONSTRUCTION CONFORMÈMENT À LA NORME ANSI Z83.7 CSA 2.14. RENSEIGNEZ-VOUS AUPRÈS DE VOTRE SERVICE D'INCENDIE LOCAL SI VOUS AVEZ DES QUESTIONS SUR L'UTILISATION DE CE RADIATEUR.

VEUILLEZ LIRE CES INSTRUCTIONS ET LES CONSERVER
 Veuillez lire soigneusement et comprendre ces consignes avant d'assembler, d'utiliser ou d'effectuer l'entretien de ce radiateur. Vous risqueriez de vous blesser ou de blesser autrui si vous ne suivez pas ces consignes. Ce manuel de l'utilisateur a été conçu afin de vous instruire sur la manière correcte d'assembler, d'entretenir, d'utiliser et de faire fonctionner ce radiateur de manière sécuritaire et efficace. Ne laissez pas une personne qui n'a pas lu ces instructions assembler, allumer, ajuster ou faire fonctionner le radiateur.



HF45G / HF60G / HF125G / HF160G

HEATFAST®

Radiateur de construction à air pulsé au propane