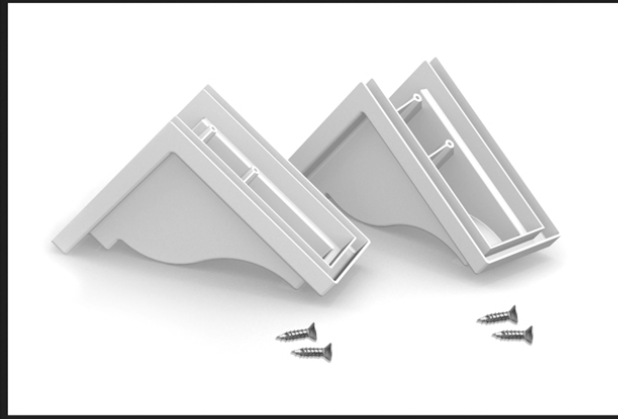


Yorkshire Corbels 2-pk model # 4821

MIS024 r3



PACKAGE CONTENTS: 2x Decorative Supports, 4x 3/4 inch steel screws

DIMENSIONS: 4.25" W x 8.35"D x 7.1" H

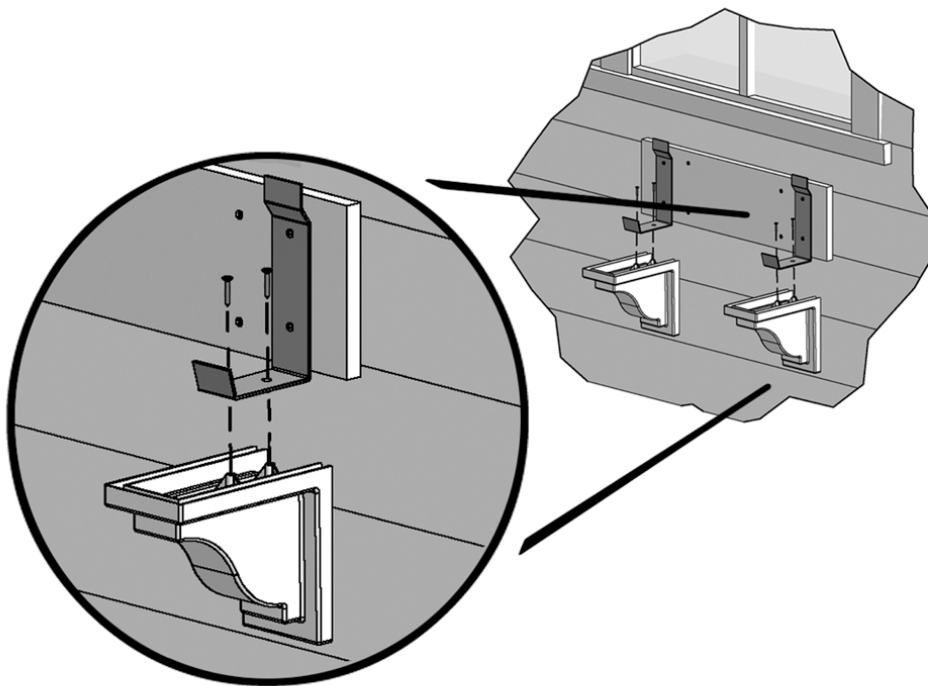
IMPORTANT NOTE:

- The molded corbels are decorative only and don't offer any support for the planter.

In the event of missing or defective parts, please email customerservice@gomayne.com or call our customer service department toll free at 866-363-8834 (available Monday through Friday, 8am-5pm EST).

General Information:

- Read instructions carefully before beginning assembly.
- For use with Mayne's Yorkshire Window Box collection.
- To clean the product, for best results use a soap solution and high-pressure water.



Secure each decorative corbel to the bottom of the wall mount brackets using two 3/4 inch screws. The decorative corbels are sold in pairs so we recommend installing them on the outside brackets. The molded corbels are only decorative so there is no need to over tighten the screws.

MAYNE[®]
Outdoor Products of Distinction
gomayne.com