

PACKAGE CONTENTS (2-PACK):
2 brackets, hardware kit, and instructions

PACKAGE CONTENTS (3-PACK):
3 brackets, hardware kit, and instructions

COLOR: Black

IMPORTANT NOTES:

- Please ensure that you are hanging the window boxes on a sturdy railing. A window box full of water and soil can add significant weight to the railing system.

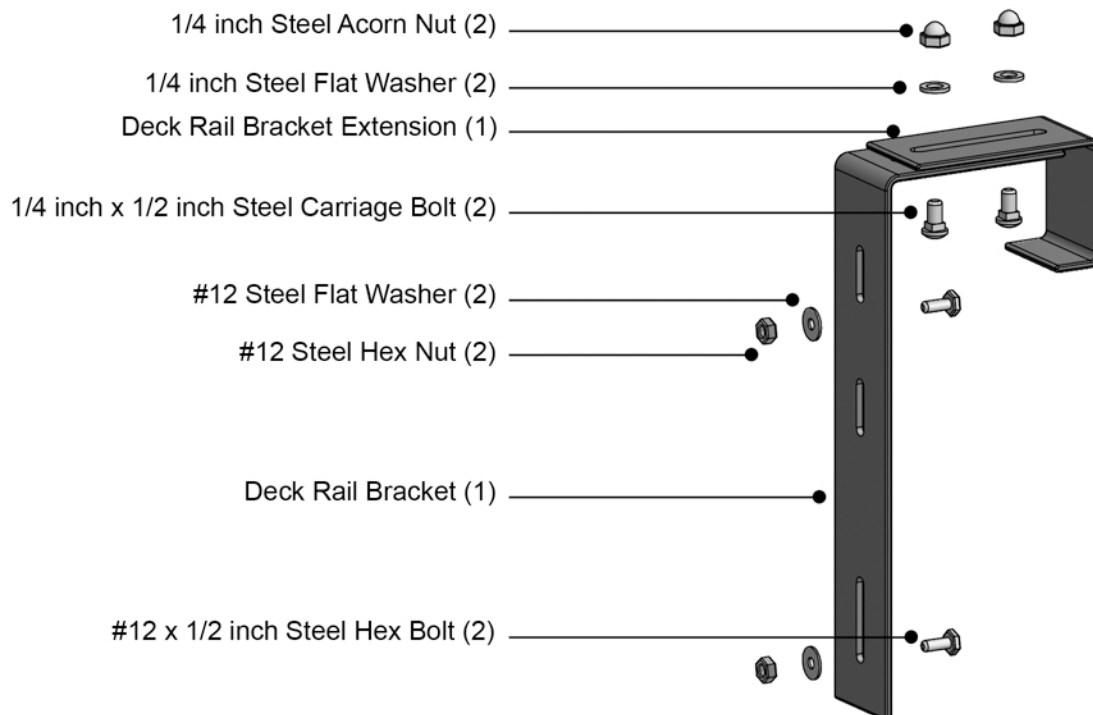
General Information:

- Read instructions carefully before beginning assembly.
- Do not use excessive force when assembling components.
- Deck rail brackets are designed to accommodate a standard 2x4 or 2x6 wood railing.
- **Designed for use with MAYNE window boxes only.**

In the event of missing or defective parts, please call our customer service department toll free at 866-363-8834 (Monday through Friday, 8am-5pm EST).

Material List

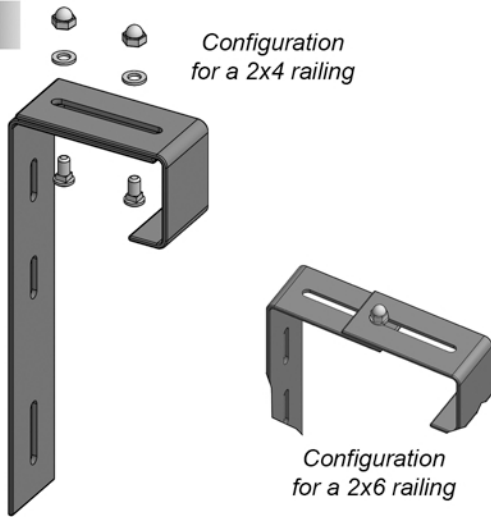
(Each bracket includes the following hardware)



Tools Required:



1.

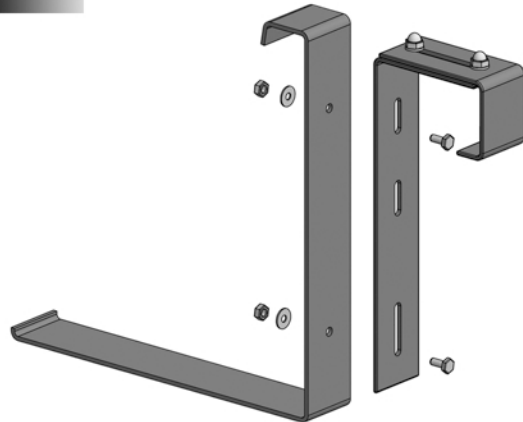


Configuration for a 2x4 railing

Configuration for a 2x6 railing

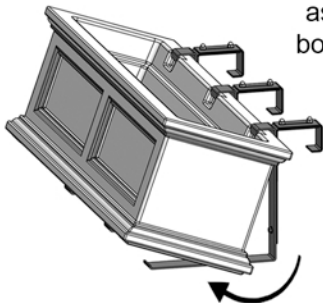
Assemble the bracket and extension piece using the carriage bolts, 1/4 inch washers, and acorn nuts as shown above. Adjust the width of the extension to match the railing. Hand tighten to hold the bracket in place. For larger railings over 5 inches wide only 1 bolt can be used to attach the bracket extension.

2.



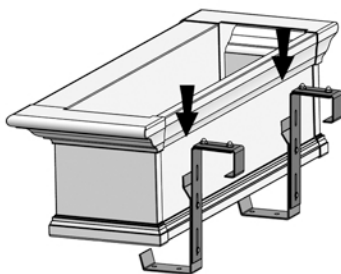
Align the deck rail bracket with the wall mount brackets that shipped with your Mayne window box. For the Yorkshire window box align the bottom 2 slots on the deck rail bracket with the Yorkshire wall mount bracket. Fasten them together using the #12 Hex Bolt, #12 Washer, and #12 nut. Tighten firmly with a wrench.

3.

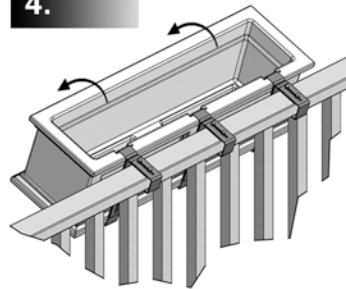


Attach the bracket assembly to the window box. Be sure the brackets are seated properly.

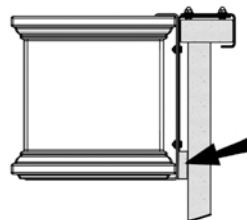
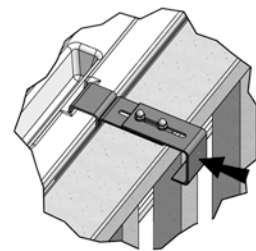
For the Yorkshire Window Box the brackets slide up into the groove on the back panel.



4.



Hang the window box on the railing. Push the bracket extension tight against the hand rail and tighten the bolts with a wrench. Make sure all fasteners are firmly tightened.



TIP: If a large gap exists between the brackets and the spindles you can attach a wood spacer to keep the window box from tilting forward.