

DIGITAL TIRE INFLATION KIT - P/N 00044

OPERATING INSTRUCTIONS

The VIAIR Digital Tire Inflation Kit is used for airing up tires, and adding compressed air to any inflatable item with a valve stem. The Digital Tire Inflation Kit has a normally closed lever style air chuck at the end of its rubber hose and comes with a 30-foot hose. After connection to an air source such as an air tank via the quick connect stud pre-installed in the unit, air may be discharged from the gun by simply squeezing the inflation trigger.

1. Installation of Batteries:

To install batteries, pull back rubber boot from top side of gauge face only. Do not remove bottom side of gauge face. Open battery compartment on back. Install batteries, secure battery compartment and position rubber boot to original location.

2. Using the Digital Tire Inflation Gun:

Using a 1/4" Quick Coupler, connect the Digital Tire Inflation Gun to an air hose and connect to a tire valve stem or similar inflation collar by securing the folding lever on the air chuck. To check air pressure, turn on the digital air pressure gauge and select the scale you wish to read (PSI, BAR, KG/CM or kPa) by pressing the "UNIT" button.

3. Filling Tires and other Inflatable Items:

Squeeze the Inflation Trigger on the Digital Tire Inflation Gun by pressing it towards the handle of the gun. This will allow stored air from the air tank to flow through the gun and through the chuck into your tire or other inflatable.

4. Checking Tire Pressure:

To check tire pressure, release Inflation Trigger on Digital Tire Inflation Gun while the gauge is turned on. Tire pressure will be able to be read properly only when the inflation trigger is released.

5. To Turn Unit Off:

After 20 seconds of non-use, the unit will turn off on its own.

6. Storage:

Always store using the included deluxe carry bag to protect the inflation gun & hose.

WARNING:

- Never operate the Digital Tire Inflation Gun at any pressure exceeding 180 PSI.
- Use caution when attached or removing air chuck from valve stems.
- Always ensure that tire valve stems are tight before inflating tires.
- Never inflate any tire or other inflatable past its rated pressure to avoid explosion, possible injury or death.

WARNING: Not intended for use with regular portable compressors (units meant to be operated with an open ended air chuck). The Tire Inflation Gun is equipped with a close-ended chuck (will hold pressure back).

WARRANTY: This product is warranted to be free from defects in workmanship or material for a period of one year from provided date of purchase.

For more information: www.viaircorp.com/warranty

VIAIR[®]

Your Vital Air Source

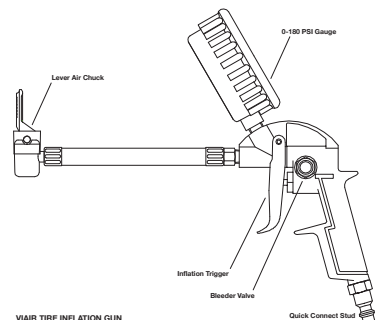
15 EDELMAN

IRVINE, CA 92618

TEL: (949) 585-0011 • FAX: (949) 585-0188

TOLL FREE: (800) 618-1994

www.viaircorp.com



VIAIR TIRE INFLATION GUN