

**INSTRUCTION MANUAL ENCLOSED  
MANUEL D'INSTRUCTION À L'INTÉRIEUR  
MANUAL DE INSTRUCCIONES ADJUNTO**

**STOP**

**ATTENTION**

**STOP**

**IF YOU HAVE ANY PROBLEMS OR QUESTIONS, EMAIL  
OR CALL CUSTOMER SERVICE BEFORE YOU RETURN  
THIS PRODUCT TO THE STORE WHERE IT WAS PURCHASED.**

For Customer Service: email: [parts@twinstarhome.com](mailto:parts@twinstarhome.com)  
in English Call: 866-661-1218  
in Spanish Call: 866-661-1218  
in French Call: 866-374-9203

**PARE**

**ATENCIÓN**

**PARE**

**SI TIENE ALGÚN PROBLEMA O PREGUNTAS,  
ENVÍE UN MENSAJE DE CORREO ELECTRÓNICO O LLAME AL SERVICIO  
DE ATENCIÓN AL CLIENTE ANTES DE DEVOLVER  
ESTE PRODUCTO A LA TIENDA EN LA QUE LO COMPRÓ.**

Servicio de atención al cliente: Correo electrónico: [parts@twinstarhome.com](mailto:parts@twinstarhome.com)  
Línea para llamadas en inglés: 866-661-1218  
Línea para llamadas en español: 866-661-1218  
Línea para llamadas en francés: 866-374-9203

**ARRÊT**

**ATTENTION**

**ARRÊT**

**SI VOUS AVEZ DES PROBLÈMES OU DES QUESTIONS,  
ENVOYEZ UN COURRIEL AU SERVICE À LA CLIENTÈLE OU APPELEZ LE  
SERVICE À LA CLIENTÈLE AVANT DE RETOURNER  
CE PRODUIT OÙ VOUS L'AVEZ ACHETÉ.**

Pour le service à la clientèle : courriel : [parts@twinstarhome.com](mailto:parts@twinstarhome.com)  
pour le service en anglais, appelez au: 866-661-1218  
pour le service en espagnol, appelez au: 866-661-1218  
pour le service en français, appelez au: 866-374-9203

**INSTRUCTION MANUAL ENCLOSED  
MANUEL D'INSTRUCTION À L'INTÉRIEUR  
MANUAL DE INSTRUCCIONES ADJUNTO**

# **ELECTRIC BUILDERS BOX USER'S GUIDE**

## **MODEL NUMBERS:**

**36EB110-GRT, 36EB111-GRC  
36EB220-GRT, 36EB221-GRC**

### **CONSUMER SAFETY INFORMATION**

**PLEASE READ THIS MANUAL BEFORE USING THIS APPLIANCE**

#### **WARNING**

**IF THE INFORMATION IN THIS MANUAL IS NOT FOLLOWED,  
AN ELECTRIC SHOCK OR FIRE MAY RESULT CAUSING PROPERTY  
DAMAGE, PERSONAL INJURY OR LOSS OF LIFE.**

**DO NOT STORE OR USE GASOLINE OR OTHER FLAMMABLE  
VAPORS AND LIQUIDS IN THE VICINITY OF THIS  
OR ANY OTHER APPLIANCE.**

Thank you and congratulations on your purchase of a Classic Flame electric builder box. Please read the installation instructions before installing and operating this appliance.

**IMPORTANT:** Read all instructions and warnings carefully before using. Failure to follow these instructions may result in a possible electric shock, fire hazard and/ or injury and will void the warranty.

#### **For Customer Service:**

E-Mail: [parts@twinstarhome.com](mailto:parts@twinstarhome.com)  
In English Call: 866-661-1218  
In French Call: 866-374-9203  
In Spanish Call: 866-661-1218

Twin-Star International, Inc.  
Delray Beach, FL 33445  
U.S.A.

Made in China  
Printed in China

©2010, Twin-Star International, Inc.

# IMPORTANT INSTRUCTIONS

Please read and understand this entire manual before attempting to assemble, operate or install the product.

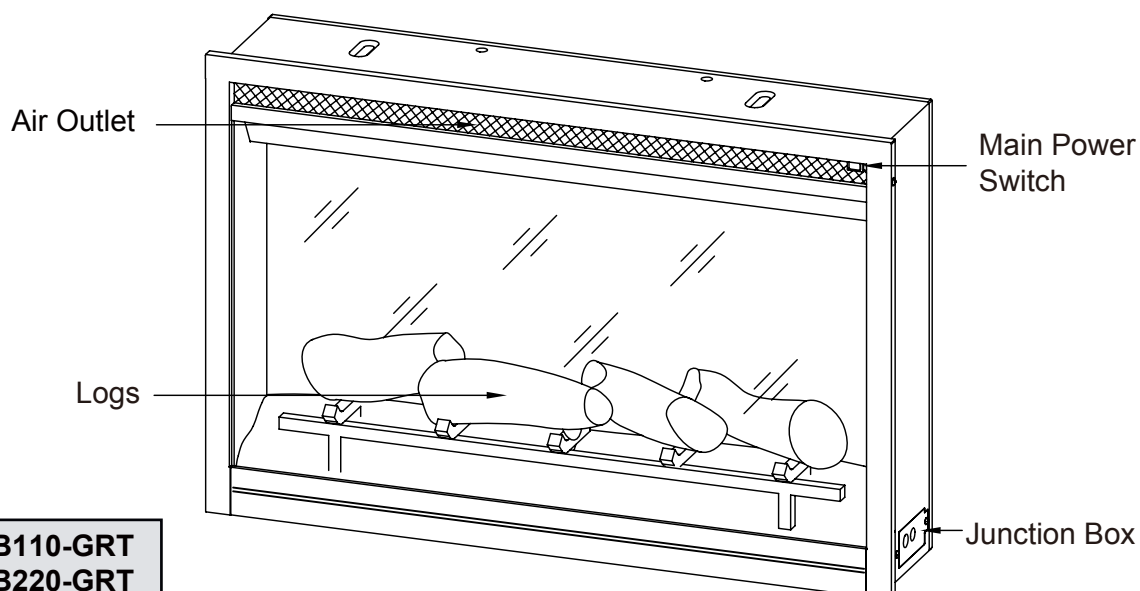
When using electrical appliances, basic precautions should always be followed to reduce the risk of fire, electrical shock, and injury to persons including the following:

1. Read all instructions before using this appliance.
2. The appliance is not to be used by children or persons with reduced physical, sensory or mental capabilities, or lack of experience and knowledge, unless they have been given supervision or instruction.
3. Any repairs to this builder box should be carried out by a qualified service person.
4. Do not use outdoors.
5. To cut the power to the unit, turn the on/ off on the wall mounted controls to the off position.
6. This appliance, when installed, must be electrically grounded in accordance with local codes or, in the absence of local codes, with the current CSA C22.1 Canadian Electrical Code or for U.S.A. installations, follow local codes and the National Electrical Code, ANSI/NFPA NO.70.
7. This appliance is hot when in use. To avoid burns, do not let bare skin touch hot surfaces. If provided, use handles when moving this appliance. Keep combustible materials, such as furniture, pillows, bedding, papers, clothes and curtains at least 3 feet (0.9 m) from the front of this appliance.  
**WARNING: In order to avoid overheating, do not cover the heater. It cannot be used in a closet.**
8. There is a thermostat limiter inside the heater. When the inner temperature over heating or occurs abnormal heating, the thermostat protective device would cut off power supply to avoid the fireplace damaged or risk of fire.
9. The heaters must not be located immediately below a socket-outlet.
10. To prevent a possible fire, do not block air intakes or exhaust in any manner. Do not use on soft surfaces, like a bed, where opening may become blocked.
11. Use this appliance only as described in the manual. Any other use not recommended by the manufacturer may cause fire, electric shock or injury to persons.

## SAVE THESE INSTRUCTIONS

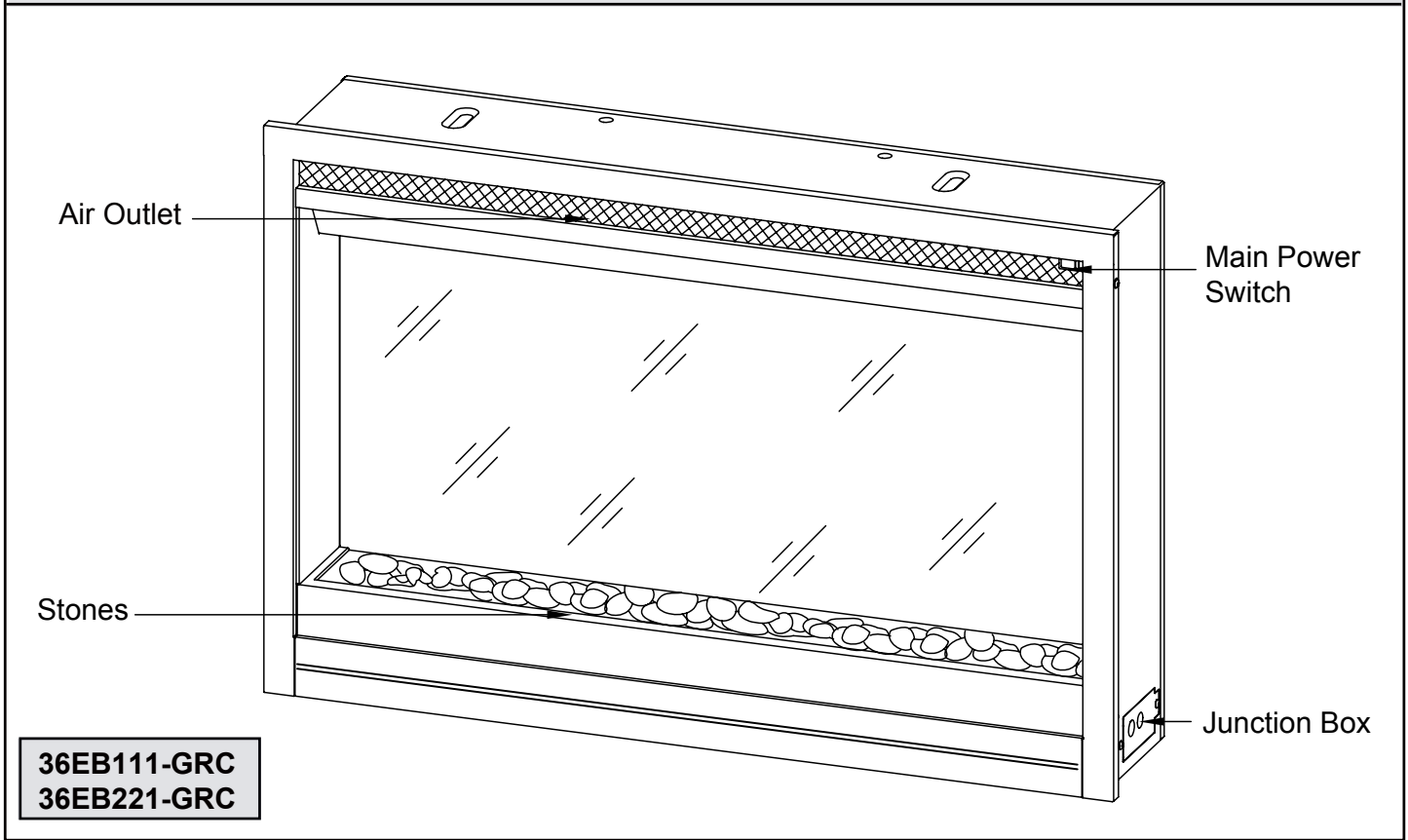
### PRODUCT ORIENTATION

Figure 1



# PRODUCT ORIENTATION

Figure 2



## PARTS LIST

Part Name	36EB110-GRT 36EB220-GRT	36EB111-GRC 36EB221-GRC
Logs	✓	
Stones		✓
Heater	✓	✓
Blower Assembly	✓	✓
Main Power Switch	✓	✓
Main PCBA	✓	✓
Flame PCBA	✓	✓
Front Projection Screen	✓	✓
Flame Generator Drive Motor	✓	✓
Flame Generator/Spinner	✓	✓
Remote Control - 6 Buttons	✓	
Remote Control - 8 Buttons		✓
Control Box - 7 Buttons	✓	
Control Box - 9 Buttons		✓

# OPERATION

The builders box can be operated by the wall mounted control box or remote control.

## CONTROL FUNCTIONS

**Note:** Make sure the Main Power Switch is in the ON position to operate the unit (Figure 3).

### POWER

The power button will put the insert in standby mode. This will turn off all functions and hold the settings in memory; pressing the button again will turn on the unit to the previous setting.

### COLOR (FLAME)

Changes the flame effect color. There are 3 color setting available: orange, blue, orange and blue.

### LEVEL (FLAME)

Changes the brightness of the flame effect. There are 5 brightness levels you can cycle through and the OFF setting.

### UP (FLAME) (For model 36EB110-GRT & 36EB220-GRT)

Increases the flame intensity. There are 5 brightness levels and OFF.

### DOWN (FLAME) (For model 36EB110-GRT & 36EB220-GRT)

Decreases the flame intensity. There are 5 brightness levels and OFF.

### HEAT

Turns the heater on and off. The LED indicator light besides the heat button will light up when on.

**NOTE:** Holding the POWER button on the control panel for 10 second will disable the heater function. To re-enable the heater press and the hold the POWER button for 10 seconds.

### TEMPERATURE DISPLAY

Displays the current ambient temperature, operational range 60°F - 90°F.

### TIMER

There are 10 timer setting (OFF -30 minutes - 1 hour - 2H-3H-4H-5H-6H-7H-8H-9H) pressing the timer button will cycle through the settings.

### UP (LIGHT EFFECTS)

Pressing this button will change the uplight between the 6 settings: white, red, green/red/green/blue, green/blue, white/blue/red, blue and OFF.

### DOWN (LIGHT EFFECTS)

Pressing this button will change the downlight between 6 settings: white, red, green/red/green/blue, green/blue, white/blue/red, blue and OFF.

### AUTO (LIGHT EFFECTS)

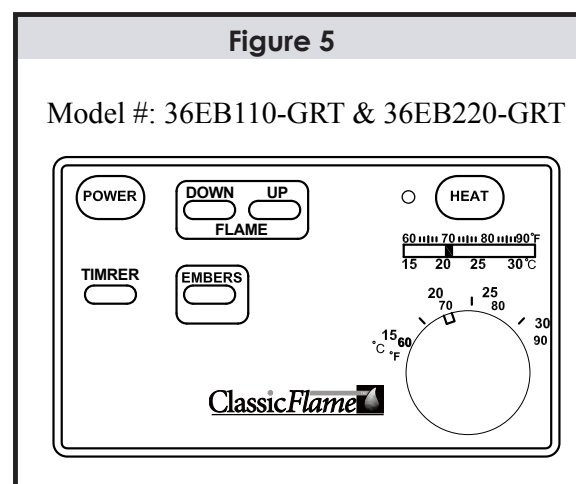
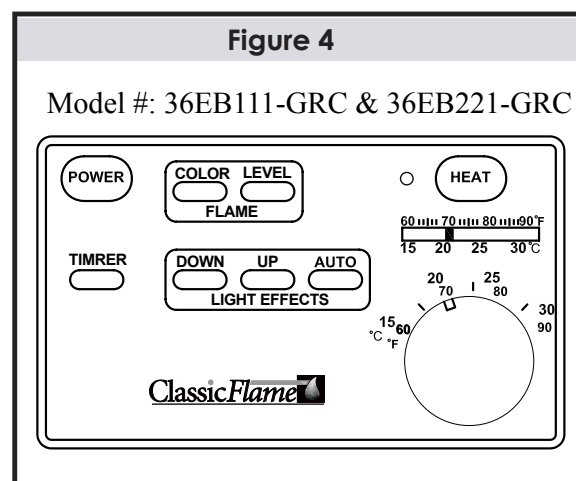
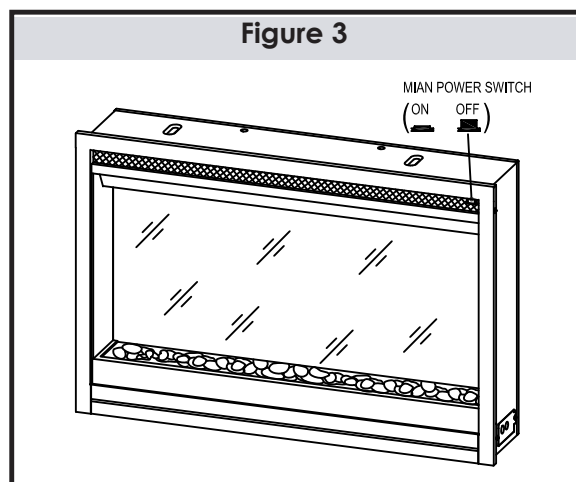
Turns on/off automatic cycling for the downlights and uplights.

### EMBERS

Turns on/off undulating emberbed effect.

### THERMOSTAT

The thermostat sets the heater cut off level.



NOTE: PLEASE OPERATE REMOTE TRANSMITTER AT A SLOW MEASURED PACE. PRESS THE REMOTE CONTROL BUTTONS WITH AN EVEN MOTION AND GENTLE PRESSURE. REPEATEDLY PRESSING BUTTONS IN RAPID SUCCESSION MAY CAUSE THE TRANSMITTER TO MALFUNCTION.

**Note:** When a function is changed from the control panel or remote control there will be a corresponding indicator (see Figure 6) on the upper-right of the projection screen. The indicator shows the function changed and the level selected by the control panel or remote control. When the function is turned off, the corresponding indicator will flash 5 times and then fade off.

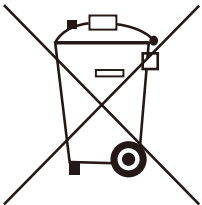
### **REPLACING THE REMOTE CONTROL BATTERY**

When the remote control stops operating or its range seems reduced, it is time to replace the battery with a new one.

1. The battery compartment is located on the back end of the remote.
2. Press and slide the battery door open and remove the old battery.
3. Insert a CR2032 battery, checking that the + and - sides of the battery match inside the battery compartment.
4. Replace the battery compartment door.

### **DISPOSAL OF USED BATTERIES**

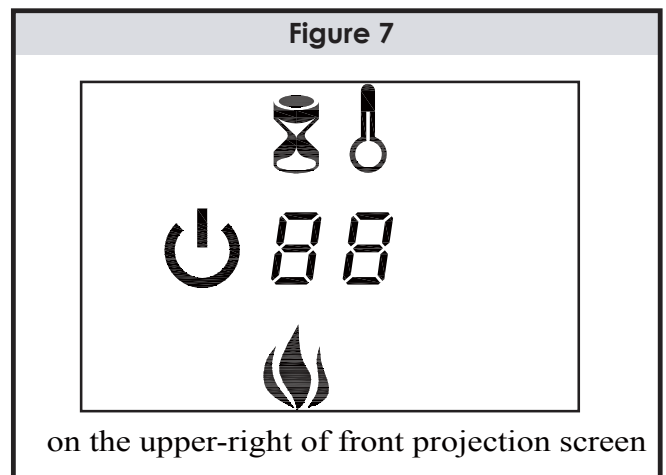
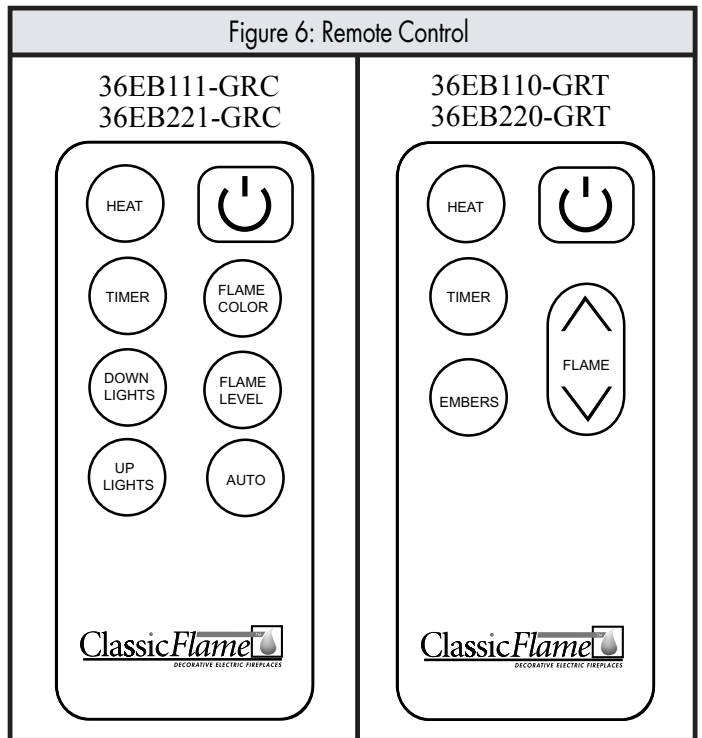
Battery may contain hazardous substances which could endanger the environment and human health.



This symbol marked on the battery and/ or packaging indicates that used battery shall not be treated as municipal waste. Batteries should be disposed of at an appropriate collection point for recycling.

By ensuring the used batteries are disposed of correctly, you will help prevent potential negative consequences for the environment and human health. The recycling of materials will help to conserve natural resources.

For more information about recycling of used batteries, please contact your local municipality waste disposal service.



As an important safety feature, the heating element is designed with a delayed activation sequence. Therefore, when the heater is turned ON it will take several minutes for the unit to begin blowing hot air. Subsequently, the fan blower will continue to run for several minutes after the heater is switched OFF.



If heater doesn't work, but Power and Heater switches are in the "ON" position and thermostat is set on "HI", the product is on the protected status, then turn all switches to the "OFF" position and unplug the unit from the wall outlet for 30 minutes. After 30 minutes plug the unit back into wall outlet, and operate as normal.

## **TWO YEAR LIMITED WARRANTY (PROFESSIONALLY INSTALLED AND/OR BUILT IN ELECTRIC INSERTS)**

Twin-Star International, Inc. (the "Company") warrants to the original purchaser of a new professionally installed and/or built in ClassicFlame Electric Fireplace Insert (the "Fireplace Insert") is free from manufacturing defects in materials and workmanship for a period of two (2) years from the date of original retail purchase from a qualified/authorized Twin-Star dealer, subject to the following terms, conditions and limitations. This warranty is for the USA and Canada only.

### **I. What this limited warranty covers and for how long**

The Company warrants the Fireplace Insert to be free from defects in material and workmanship for a period of two (2) years from the date of original retail purchase, as follows: replacement of defective products or parts (with no in-home services) as further described in Part IV below.

### **II. What this limited warranty does not cover**

This limited warranty does not apply to

- (a) replacement of Fireplace Insert light bulbs,
- (b) Fireplace Insert components that have been repaired (except by the Company or its authorized service representatives) or otherwise altered or modified,
- (c) damage, malfunction or defects resulting from shipping or transit, misuse, abuse, accident, neglect, incorrect installation, improper maintenance or handling, or operation with an incorrect power source,
- (d) damage from fire, water, lightning, power surges, abnormal environmental conditions or other acts of nature, and
- (e) normal wear and tear.

The Company reserves the right to assess all warranty claims and to determine if the claimed defects or damages are covered by this limited warranty. This limited warranty applies only to the original purchaser of the Fireplace Insert from a qualified/authorized Twin-Star dealer in the USA or Canada, and is not transferable.

### **III. What you must do to get service under this limited warranty**

For warranty service, please contact the Company by

phone at 1-866-661-1218, or by mail at 1690 S. Congress Ave., Suite 210, Delray Beach, FL 33445, USA. Please have proof of purchase, catalogue/model, manufacturer's date code and serial numbers available when calling. Proof of purchase showing the original purchase date and location is required to obtain warranty service.

### **IV. What the Company will do in the event of a covered warranty claim**

For valid warranty claims made prior to the second anniversary of the date of original retail purchase, the Company will elect in its sole discretion to either repair or replace the covered defective product or part without charge. If the Company is unable to repair or replace the covered defective product or part, or if repair or replacement is not commercially practicable or cannot be timely made, the Company may elect in its sole discretion, in lieu of replacement, to refund the purchase price for the defective product or part. Warranty services under this paragraph do not include on-site or in-home warranty services, and you will be solely responsible for all expenses incurred for the removal of the defective product or part and installation of the replacement product or part, including, without limitation, all labor costs and all shipping and transportation costs to and from the Company and/or its authorized dealer or service agent.

All warranty services will be performed solely by the Company's authorized dealers or service agents. On-site or in-home services not covered by this limited warranty may be performed at your specific request and expense, at the Company's customary rates for such services.

### **V. DISCLAIMER OF WARRANTIES AND LIABILITY LIMITATIONS**

THERE ARE NO EXPRESS WARRANTIES MADE BY THE COMPANY OTHER THAN THOSE LIMITED WARRANTIES DESCRIBED ABOVE. THE COMPANY DISCLAIMS ALL IMPLIED WARRANTIES, INCLUDING, WITHOUT LIMITATION, ANY IMPLIED WARRANTIES OF MERCHANTABILITY AND FITNESS FOR A PARTICULAR PURPOSE. TO THE EXTENT THAT ANY APPLICABLE JURISDICTION PROHIBITS DISCLAIMER OF IMPLIED WARRANTIES, SUCH IMPLIED WARRANTIES SHALL BE LIMITED IN DURATION TO THE APPLICABLE PERIODS OF TIME SET FORTH IN THE EXPRESS LIMITED WARRANTIES DESCRIBED ABOVE.



IN NO EVENT WILL THE COMPANY, OR ANY OF ITS DIRECTORS, OFFICERS OR AGENTS, BE LIABLE TO ANY PURCHASER, OWNER, OR USER OF THE FIREPLACE INSERT, OR TO ANY THIRD PARTY, WHETHER IN CONTRACT, IN TORT, OR ON ANY OTHER BASIS, FOR ANY INDIRECT, SPECIAL, PUNITIVE, EXEMPLARY, CONSEQUENTIAL, OR INCIDENTAL LOSS, COST, OR DAMAGE ARISING OUT OF OR IN CONNECTION WITH THE SALE, MAINTENANCE, USE, OR INABILITY TO USE THE FIREPLACE INSERT, EVEN IF THE COMPANY OR ITS DIRECTORS, OFFICERS OR AGENTS HAVE BEEN ADVISED OF THE POSSIBILITY OF SUCH LOSSES, COSTS OR DAMAGES, OR IF SUCH LOSSES, COSTS, OR DAMAGES ARE FORESEEABLE. IN NO EVENT WILL THE COMPANY, OR ANY OF ITS DIRECTORS, OFFICERS OR AGENTS, BE LIABLE FOR ANY DIRECT LOSSES, COSTS, OR DAMAGES THAT EXCEED THE PURCHASE PRICE OF THE FIREPLACE INSERT. SOME JURISDICTIONS DO NOT ALLOW LIMITATIONS

ON HOW LONG AN IMPLIED WARRANTY LASTS OR THE EXCLUSION OR LIMITATION OF INCIDENTAL OR CONSEQUENTIAL DAMAGES, SO THE ABOVE LIMITATIONS OR EXCLUSIONS MAY NOT APPLY TO YOU.

**ANY AND ALL SERVICE OR REPAIR WORK DEEMED NECESSARY MUST BE PERFORMED BY A REPAIR SPECIALIST. DO NOT ATTEMPT TO DO ANY SERVICE OR REPAIR WORK YOURSELF. IMPROPER SERVICE OR REPAIR MAY RESULT IN PROPERTY DAMAGE, PERSONAL INJURY OR DEATH.**

This limited warranty gives you specific legal rights, and you may also have other rights which vary from jurisdiction to jurisdiction. The provisions of the United Nations Convention on Contracts for the Sale of Goods shall not apply to this limited warranty or the sale of products covered by this limited warranty.

**RESULT IN PROPERTY DAMAGE, PERSONAL INJURY OR DEATH.**

Twin-Star International, Inc.  
Delray Beach, FL 33445

Made in China  
Printed in China

© 2010, Twin-Star International, Inc.



# FOYER ÉLECTRIQUE

# GUIDE DE L'UTILISATEUR

## NUMÉROS DE MODÈLES :

**36EB110-GRT, 36EB111-GRC**

**36EB220-GRT, 36EB221-GRC**

### CONSIGNES DE SÉCURITÉ À L'USAGE DU CONSOMMATEUR

VEUILLEZ LIRE LE PRÉSENT MANUEL AVANT D'UTILISER CET APPAREIL.

#### AVERTISSEMENT

SI LES CONSIGNES DU PRÉSENT MANUEL NE SONT PAS RIGOREUSEMENT RESPECTÉES, LES RISQUES DE CHOC ÉLECTRIQUE OU D'INCENDIE AUGMENTENT, CE QUI PEUT CAUSER DOMMAGES MATÉRIELS, DES BLESSURES CORPORELLES OU MÊME LA MORT.

NE PAS ENTREPOSER OU UTILISER DE L'ESSENCE, DES SUBSTANCES VAPORISÉES OU D'AUTRES LIQUIDES INFLAMMABLES À PROXIMITÉ DE CET APPAREIL OU DE TOUT AUTRE APPAREIL.

Merci et félicitations d'avoir acheté un foyer électrique Classic Flame. Lire les instructions d'installation avant d'installer et de faire fonctionner cet appareil.

**IMPORTANT:** Lire attentivement toutes les instructions et tous les avertissements avant l'utilisation.

Le non-respect de ces instructions risquerait de causer des chocs électriques, des incendies ou des blessures corporelles et annulerait la garantie.

#### Service à la clientèle :

Courriel : [parts@twinstarhome.com](mailto:parts@twinstarhome.com)  
Service en anglais : 1-866-661-1218  
Service en français : 1-866-374-9203  
Service en espagnol : 1-866-661-1218

Twin-Star International, Inc.  
Delray Beach, FL 33445  
États-Unis

Fabriqué en Chine  
Imprimé en Chine

©2010, Twin-StarInternational Inc.



# INSTRUCTIONS IMPORTANTES

**Veillez lire et comprendre l'ensemble du manuel d'utilisation avant d'assembler, d'utiliser ou d'installer le produit.**

**Lors de l'utilisation d'appareils électriques, pour éviter les risques d'incendie, d'électrocution et de blessures, toujours suivre les consignes de sécurité de base suivantes :**

1. Lire toutes les instructions avant d'utiliser l'appareil.
2. Cet appareil ne doit pas être utilisé par des enfants, des personnes à capacités physiques, sensorielles ou mentales restreintes, ou des personnes qui connaissent peu le produit ou qui ne sont pas familières avec son utilisation, à moins qu'ils soient supervisés ou qu'on leur donne des instructions précises.
3. Confier la réparation du foyer à un technicien qualifié.
4. Ne pas utiliser le produit à l'extérieur.
5. Pour couper l'alimentation de l'unité, régler l'interrupteur mural à la position « OFF ».
6. Une fois installé, ce foyer doit être mis à la terre conformément aux codes locaux ou, en l'absence de tels codes, conformément à la dernière édition de la norme CSA C22.1 du Code canadien de l'électricité ou, si le produit est installé aux États-Unis, aux codes locaux et à la norme ANSI/NFPA 70 du National Electrical Code.
7. Cet appareil est chaud pendant son utilisation. Pour éviter toute brûlure, la peau nue ne doit jamais toucher directement les surfaces chaudes. Si elles sont fournies, utiliser les poignées pour déplacer cet appareil. Garder les matières inflammables comme les meubles, coussins et oreillers, articles de literie, papiers, vêtements et rideaux à au moins 0,9 m (3 pi) de l'appareil.

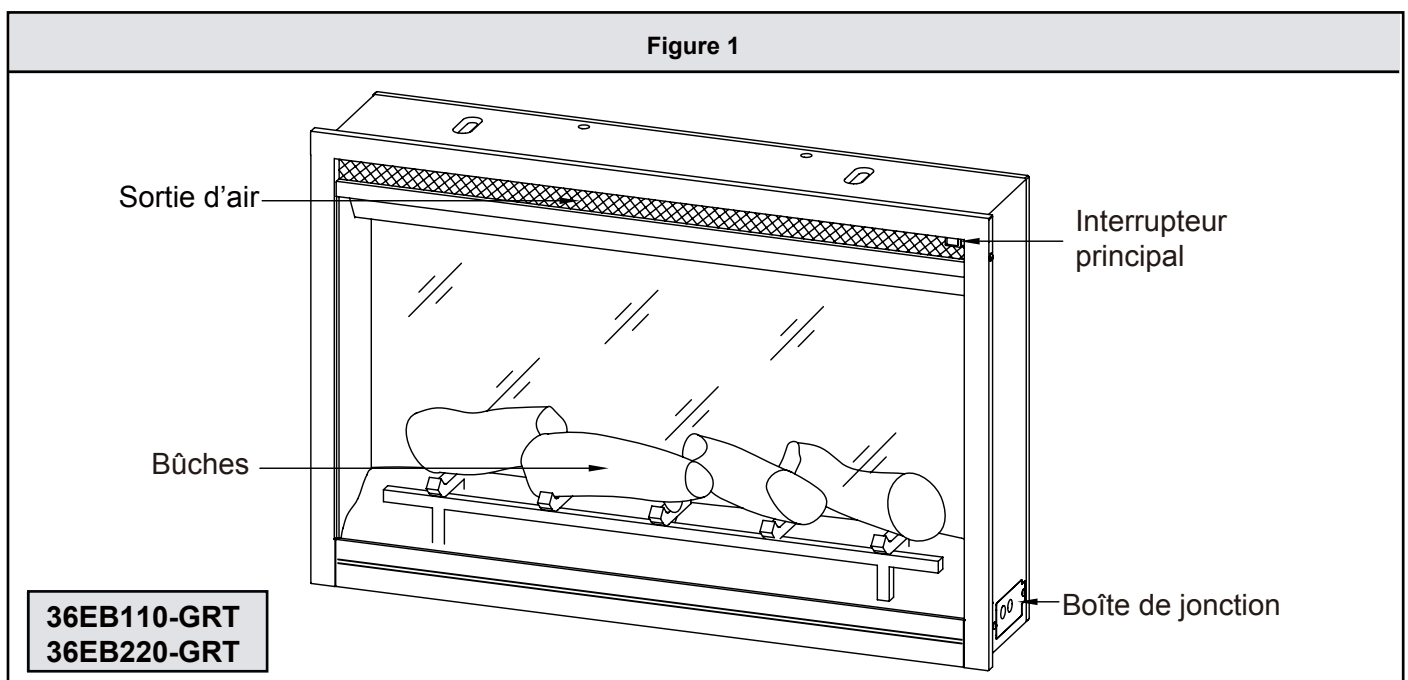
**AVERTISSEMENT :** Pour éviter une surchauffe, ne pas recouvrir l'appareil de chauffage. Il ne peut pas être utilisé dans un placard.

8. On retrouve un limiteur de thermostat à l'intérieur de l'appareil de chauffage. Lorsque la température interne devient trop élevée ou varie de façon anormale, le limiteur de thermostat coupe l'alimentation afin d'éviter des dommages au foyer ou des risques d'incendie.
9. Les appareils de chauffage ne doivent pas être installés directement sous une prise de courant.
10. Pour éviter un incendie, ne bloquer d'aucune façon les entrées ou sorties d'air. Ne pas utiliser cet appareil sur une surface molle, comme un lit, où les ouvertures pourraient être bloquées.
11. Utiliser uniquement cet appareil de la façon prescrite dans ce manuel. Tout autre usage non recommandé par le fabricant pourrait causer un incendie, un choc électrique ou des blessures corporelles.

## CONSERVER CES INSTRUCTIONS

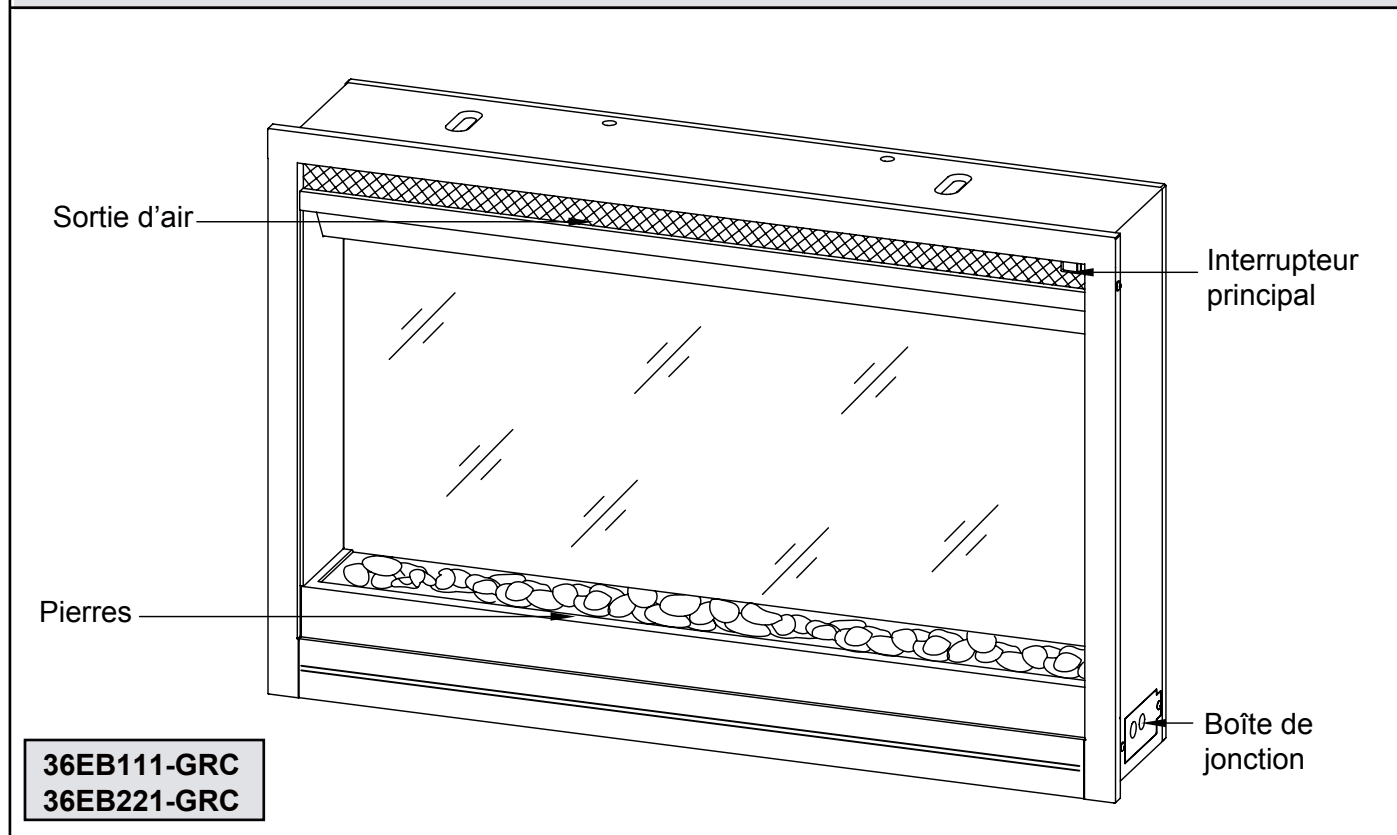
### POSITION DES COMPOSANTS DU PRODUIT

Figure 1



# POSITION DES COMPOSANTS DU PRODUIT

Figure 2



## LISTE DES PIÈCES

Nom de la pièce	36EB110-GRT 36EB220-GRT	36EB111-GRC 36EB221-GRC
Bûches	✓	
Pierres		✓
Chaufferette	✓	✓
Ensemble de soufflante	✓	✓
Interrupteur principal	✓	✓
Carte de circuits imprimés principale	✓	✓
Carte de circuits imprimés de flamme	✓	✓
Écran de projection avant	✓	✓
Moteur du générateur de flammes	✓	✓
Générateur et appareil de rotation des flammes	✓	✓
Télécommande – 6 fonctions	✓	
Télécommande – 8 fonctions		✓
Boîte de commande – 7 boutons	✓	
Boîte de commande – 9 boutons		✓

# FONCTIONNEMENT

Pour faire fonctionner le foyer, utiliser la boîte de commande murale ou la télécommande.

## FONCTIONS DU PANNEAU DE COMMANDE

**Nota :** S'assurer que l'interrupteur principal est à la position « ON » pour faire fonctionner le foyer (figure 3).

### POWER (Marche/Arrêt)

Le fait d'appuyer sur le bouton d'alimentation met le poêle encastrable en mode d'attente, et cela aura pour effet d'éteindre toutes les fonctions et de conserver les réglages en mémoire. En appuyant de nouveau sur ce bouton, l'unité se mettra en marche selon les réglages précédents.

### COULEUR (FLAMMES)

Permet de changer la couleur de l'effet de flammes. Trois réglages de couleur sont possibles: orange, bleu, ainsi qu'un mélange d'orange et de bleu.

### NIVEAU (FLAMMES)

Permet de changer la luminosité de l'effet de flammes. Le commutateur permet d'opter pour un des cinq niveaux de luminosité offerts ou pour le réglage à « OFF » (Arrêt).

### UP (FLAME) (Augmenter l'intensité de la flamme)

Augmente l'intensité de la flamme. Il y a cinq niveaux de luminosité et une mise à l'arrêt.

### DOWN (FLAME) (Diminuer l'intensité de la flamme)

Diminue l'intensité de la flamme. Il y a cinq niveaux de luminosité et une mise à l'arrêt.

### HEAT (Chaleur)

Règle la chaufferette à la position de marche ou d'arrêt. Le voyant DÉL à côté du bouton « HEAT » s'allumera lors de la mise en marche.

**NOTA :** Maintenir le bouton « POWER » du panneau de commande enfoncé pendant 10 secondes désactive la fonction de chaufferette. Pour réactiver la chaufferette, appuyer sur le bouton « POWER » et le maintenir enfoncé pendant 10 secondes.

### TEMPERATURE DISPLAY (Afficheur de la température)

Affiche la température ambiante actuelle; la portée opérationnelle est de 60°F à 90°F.

### TIMER (Minuterie)

Il y a dix réglages de minuterie (OFF, 30 minutes, 1 heure, 2H-3H-4H-5H-6H-7H-8H-9H). Appuyer sur le bouton de la minuterie permet de sélectionner de manière cyclique l'un des réglages.

### UP (LIGHT EFFECTS) (Effets d'éclairage – Plafond)

Appuyer sur ce bouton changera le réglage du projecteur au plafond selon ces six réglages : blanc, rouge, vert/rouge/vert/bleu, vert/bleu, blanc/bleu/rouge, bleu et OFF.

### DOWN (LIGHT EFFECTS) (Effets d'éclairage –Sol)

Appuyer sur ce bouton changera le réglage du projecteur au sol selon ces six réglages : blanc, rouge, vert/rouge/vert/bleu, vert/bleu, blanc/bleu/rouge, bleu et OFF.

### AUTO (LIGHT EFFECTS) (Effets d'éclairage – Automatique)

Active ou désactive les cycles automatiques de projection au sol et au plafond.

### EMBERS (Braises)

Active ou désactive l'effet de braises ondulantes.

### THERMOSTAT (Thermostat)

Le thermostat règle le niveau d'interruption de la chaleur.

Figure 3

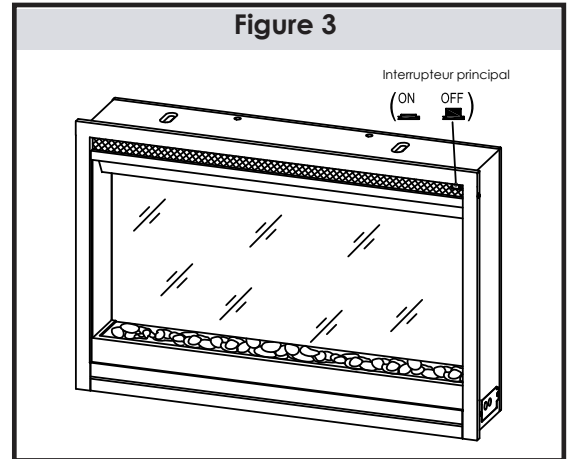


Figure 4

Modèle #: 36EB111-GRC & 36EB221-GRC

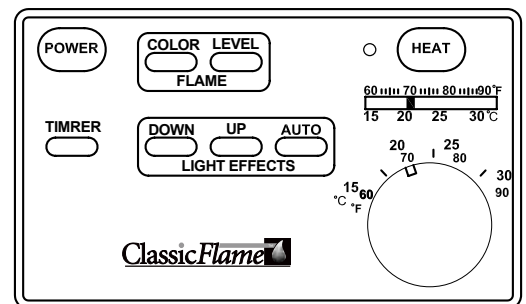
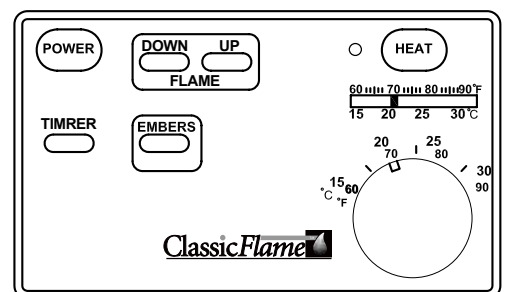


Figure 5

Modèle #: 36EB110-GRT & 36EB220-GRT



NOTA : VEUILLEZ UTILISER LA TÉLÉCOMMANDE À UN RYTHME LENT ET RÉGULIER. APPUYER SUR LES BOUTONS DE LA TÉLÉCOMMANDE DE FAÇON ÉGALE EN EXERÇANT UNE LÉGÈRE PRESSION. LE FAIT D'APPUYER RAPIDEMENT SUR LES BOUTONS DE FAÇON RÉPÉTITIVE PEUT ENTRAÎNER UN MAUVAIS FONCTIONNEMENT DE L'ÉMETTEUR.

**Nota:** Lorsqu'une fonction est modifiée à partir du panneau de commande ou de la télécommande, un indicateur correspondant apparaît (consulter la figure 6) dans le coin supérieur droit de l'écran de projection. L'indicateur montre que la fonction a été modifiée ainsi que le niveau sélectionné au moyen du panneau de commande ou de la télécommande. Lorsque la fonction est mise à l'arrêt, l'indicateur correspondant clignote cinq fois et s'arrête.

### REMPACEMENT DES PILES DE LA TÉLÉCOMMANDE

Lorsque la télécommande cesse de fonctionner, ou si sa portée semble réduite, il est temps de remplacer la pile.

1. Le compartiment des piles est situé à l'arrière de la télécommande.
2. Appuyer sur la porte du compartiment et la glisser pour l'ouvrir, puis retirer la vieille pile.
3. Insérer une pile CR2032, s'assurer que l'orientation des bornes « + » et « - » correspond aux indications à l'intérieur du compartiment des piles.
4. Replacer le couvercle du compartiment des piles.

### ÉLIMINATION DES PILES USAGÉES

Les piles peuvent contenir des matières dangereuses qui pourraient menacer l'environnement ou la santé.

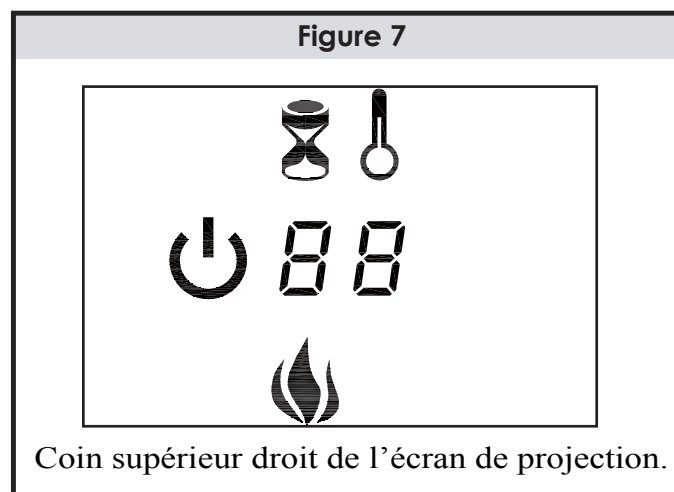
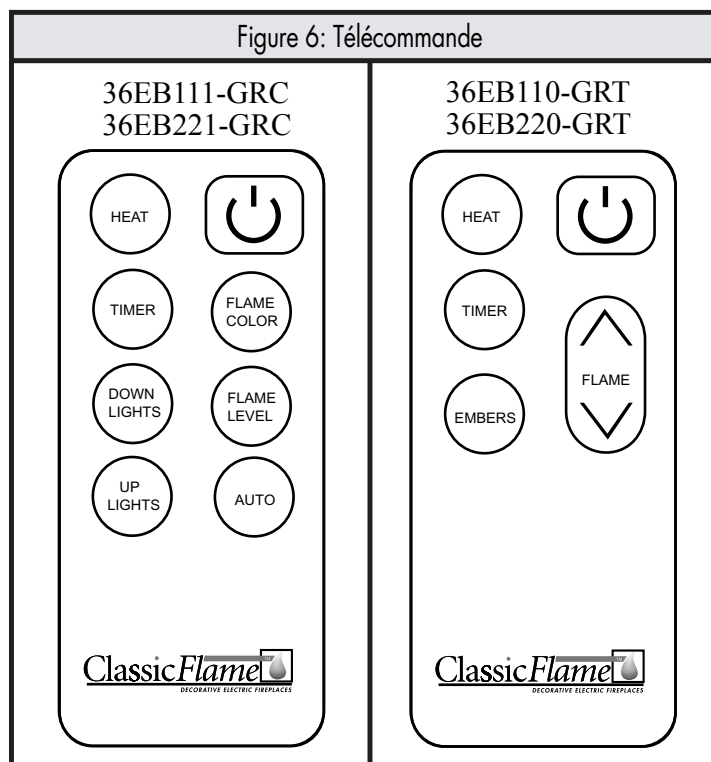
Le symbole qui se trouve sur la pile ou l'emballage indique que les piles usagées ne doivent pas être traitées comme des ordures ménagères. Les piles doivent être rapportées au point de collecte approprié aux fins de recyclage.

L'élimination appropriée des piles usagées permet d'éviter des conséquences négatives sur l'environnement ou la santé. Le recyclage des matériaux aide à la conservation des ressources naturelles.

Pour obtenir de plus amples renseignements sur le recyclage des piles usagées, communiquer avec le service d'élimination des déchets de la municipalité.

Pour l'insert avec la fonction de télécommande, comme mesure importante de sécurité, l'élément de chauffage est conçu avec une séquence d'activation retardée. Ainsi, lorsque le chauffage est allumé, cela prendra quelques minutes avant que l'unité commence à souffler de l'air chaud. Subséquemment, le ventilateur continuera à fonctionner durant quelques minutes après qu'on éteint le chauffage. L'interrupteur rotatif (THERMOSTAT) contrôle la fonction de thermostat pour aider à réguler la température de la pièce.

L'appareil de chauffage ne fonctionne pas, mais les interrupteurs d'alimentation électrique et de l'appareil de chauffage sont réglés en position ouverte (ON) et le thermostat est réglé en position élevée (HI). L'unité est en mode protégé. Régler tous les interrupteurs en position d'arrêt (OFF) et débrancher l'unité de la prise murale. Attendre environ 30 minutes et par la suite, brancher l'unité dans la prise murale et faire fonctionner normalement.



Le symbole qui se trouve sur la pile ou l'emballage indique que les piles usagées ne doivent pas être traitées comme des ordures ménagères. Les piles doivent être rapportées au point de collecte approprié aux fins de recyclage.

L'élimination appropriée des piles usagées permet d'éviter des conséquences négatives sur l'environnement ou la santé. Le recyclage des matériaux aide à la conservation des ressources naturelles.

Pour obtenir de plus amples renseignements sur le recyclage des piles usagées, communiquer avec le service d'élimination des déchets de la municipalité.

Pour l'insert avec la fonction de télécommande, comme mesure importante de sécurité, l'élément de chauffage est conçu avec une séquence d'activation retardée. Ainsi, lorsque le chauffage est allumé, cela prendra quelques minutes avant que l'unité commence à souffler de l'air chaud. Subséquemment, le ventilateur continuera à fonctionner durant quelques minutes après qu'on éteint le chauffage. L'interrupteur rotatif (THERMOSTAT) contrôle la fonction de thermostat pour aider à réguler la température de la pièce.

L'appareil de chauffage ne fonctionne pas, mais les interrupteurs d'alimentation électrique et de l'appareil de chauffage sont réglés en position ouverte (ON) et le thermostat est réglé en position élevée (HI). L'unité est en mode protégé. Régler tous les interrupteurs en position d'arrêt (OFF) et débrancher l'unité de la prise murale. Attendre environ 30 minutes et par la suite, brancher l'unité dans la prise murale et faire fonctionner normalement.

## GARANTIE LIMITÉE DE DEUX ANS

### (POÊLE ENCASTRABLE ÉLECTRIQUE INSTALLÉ PROFESSIONNELLEMENT ET/OU INTÉGRÉ)

Twin-Star International Inc. (la « Compagnie ») garantit à l'acheteur d'origine d'un poêle encastrable électrique ClassicFlame installé professionnellement et/ou intégré (le « Poêle Encastrable ») que celui-ci est exempt de défaut des matériaux ou de la main-d'œuvre pour une période de deux (2) ans à partir de la date d'achat original au détail chez un détaillant Twin-Star qualifié et autorisé, sous réserve des modalités, des conditions et des exceptions suivantes. Cette garantie s'applique uniquement aux É.-U. et au Canada.

#### I. Éléments couverts par cette garantie limitée et durée de la garantie

La Compagnie garantit que le Poêle Encastrable est exempt de défaut des matériaux ou de la main-d'œuvre pour une période de deux (2) ans à partir de la date d'achat original du produit, selon les modalités suivantes : remplacement des produits ou des composants défectueux (sans service à domicile), tel qu'expliqué dans la Section IV.V.

#### II. Éléments non couverts par cette garantie limitée

Cette garantie limitée ne couvre pas

- (a) le remplacement des ampoules du Poêle encastrable;
- (b) les composants du Poêle Encastrable qui ont été réparés (par une personne autre que le personnel de l'entreprise ou de ses représentants autorisés du service à la clientèle) ou qui ont subi toute modification ou altération;
- (c) les dommages, les défauts de fonctionnement ou les vices attribuables à l'expédition ou au transport, à une mauvaise utilisation, à l'abus, à un accident, à la négligence, à une installation incorrecte, à un entretien ou une manipulation inappropriés, ou à l'utilisation du produit avec une source de courant inappropriée;
- (d) les dommages causés par le feu, l'eau, la foudre, les surtensions, les conditions environnementales anormales ou tout autre cas fortuit; et
- (e) l'usure normale.

La Compagnie se réserve le droit d'évaluer toutes les réclamations au titre de la garantie et de déterminer si les défauts ou les dommages déclarés sont couverts par cette garantie limitée. La présente garantie limitée couvre uniquement l'acheteur d'origine du Poêle Encastrable si celui-ci a été acheté chez un détaillant

Twin-Star qualifié et autorisé aux É.-U. ou au Canada, et n'est pas transférable.

#### III. Marche à suivre pour bénéficier des services offerts par cette garantie limitée

Pour bénéficier du service offert par cette garantie, veuillez communiquer avec la Compagnie par téléphone au 1-866-661-1218, ou par courrier au 1690 South Congress Ave., Suite 210 Delray Beach, FL 33445, USA.

Au moment de l'appel, veuillez avoir sous la main la preuve d'achat, le catalogue ou le modèle, le code de date du fabricant et les numéros de série. La preuve d'achat, comportant la date et l'emplacement de l'achat original, est nécessaire pour bénéficier du service offert par la garantie.

#### IV. Démarche de la Compagnie en cas de réclamation couverte par la garantie

Pour les réclamations au titre de la garantie au cours des deux premières années suivant l'achat original au détail, la Compagnie décidera, à sa seule discrétion, de réparer ou de remplacer sans frais le produit ou composant défectueux couvert. Si la Compagnie n'est pas en mesure de réparer ou de remplacer le produit ou composant défectueux couvert, ou si la réparation ou le remplacement est commercialement irréalisable ou ne peut être effectué en temps opportun, la Compagnie peut choisir, à sa seule discrétion, au lieu de réparer ou de remplacer le produit ou le composant défectueux, d'en rembourser le prix d'achat. Les services offerts par la garantie énoncés dans ce paragraphe ne comprennent pas les services sur place ou à domicile, et vous serez entièrement responsable des coûts encourus par le retrait du produit ou composant défectueux et l'installation du produit ou composant de remplacement, incluant, sans y être limité, tous les coûts de main-d'œuvre et les coûts d'expédition et de transport de la Compagnie et/ou de son détaillant ou agent de service autorisé.

Tous les services offerts par la garantie seront rendus uniquement par les détaillants ou agents de service autorisés par la Compagnie. Les services sur place ou à domicile non couverts par cette garantie limitée peuvent être rendus si vous en faites la demande et êtes prêt à en assumer les coûts, au tarif habituel prévu par la Compagnie pour ce type de services.



## V. EXONÉRATION DES GARANTIES ET LIMITATIONS DE RESPONSABILITÉ

LA COMPAGNIE NE DONNE AUCUNE GARANTIE EXPRESSE AUTRE QUE LES GARANTIES LIMITÉES SUSMENTIONNÉES. LA COMPAGNIE DÉCLINE TOUTE GARANTIE IMPLICITE, INCLUANT, SANS Y ÊTRE LIMITÉ, TOUTE GARANTIE DE QUALITÉ MARCHANDE OU D'ADAPTATION À UNE FIN PARTICULIÈRE. DANS LA MESURE OÙ TOUTE JURIDICTION APPLICABLE INTERDIT L'EXONÉRATION DE GARANTIES IMPLICITES, LA DURÉE DE CES GARANTIES IMPLICITES SERA LIMITÉE AUX PÉRIODES APPLICABLES PRÉSENTÉES DANS LES GARANTIES EXPRESSES SUSMENTIONNÉES.

EN AUCUN CAS LA COMPAGNIE, SES DIRECTEURS, SES CADRES OU SES AGENTS NE SERONT RESPONSABLES ENVERS TOUT ACHETEUR, PROPRIÉTAIRE, UTILISATEUR DU POÊLE ENCASTRABLE OU ENVERS TOUT TIERS, QUE CE

SOIT DANS LE CADRE DU CONTRAT, EN CAS DE PRÉJUDICE, OU EN TOUTE AUTRE CIRCONSTANCE, DE TOUT DOMMAGE, DÉPENSE OU PERTE DIRECTS, INDIRECTS, SPÉCIAUX, PUNITIFS, EXEMPLAIRES OU CONSÉCUTIFS DUS OU ASSOCIÉS À LA VENTE OU À L'ENTRETIEN DU POÊLE ENCASTRABLE, À SON UTILISATION OU À L'INCAPACITÉ DE L'UTILISER, MÊME SI LA COMPAGNIE, SES DIRECTEURS, SES CADRES OU SES AGENTS ONT ÉTÉ MIS AU COURANT DE LA POSSIBILITÉ DE TELS DOMMAGES, DÉPENSES OU PERTES, ET MÊME SI DE TELS DOMMAGES, DÉPENSES OU PERTES SONT PRÉVISIBLES. EN AUCUN CAS LA COMPAGNIE, SES DIRECTEURS, SES CADRES OU SES AGENTS, NE SERONT RESPONSABLES DE TOUT DOMMAGE, DÉPENSE OU PERTE DIRECTS EXCÉDANT LE PRIX D'ACHAT DU POÊLE ENCASTRABLE.

Certaines juridictions ne permettent pas d'exonération ou de réserve pour ce qui est de la couverture des dommages directs ou consécutifs et de la durée de toute garantie implicite; il se peut donc que les exonérations ou limitations décrites précédemment ne puissent s'appliquer.

Twin-Star International, Inc.  
Delray Beach, FL 33445

Fabriqué en Chine  
Imprimé en Chine



# ELECTRIC BUILDERS BOX

# GUÍA DEL USUARIO

## NÚMEROS DE MODELOS:

**36EB110-GRT, 36EB111-GRC  
36EB220-GRT, 36EB221-GRC**

**INFORMACIÓN SOBRE SEGURIDAD PARA EL CONSUMIDOR  
LEA ESTE MANUAL ANTES DE UTILIZAR EL APARATO**

### ADVERTENCIA

**EN CASO DE NO SEGUIR LA INFORMACIÓN EN ESTE MANUAL, PODRÍA OCURRIR UNA DESCARGA ELÉCTRICA O INCENDIO Y, COMO CONSECUENCIA, DAÑOS A LA PROPIEDAD, LESIONES O LA PÉRDIDA DE LA VIDA.**

**NO GUARDE NI USE GASOLINA NI OTROS VAPORES Y LÍQUIDOS INFLAMABLES EN LA CERCANÍA DE ESTE APARATO, NI DE CUALQUIER OTRO.**

Gracias y felicitaciones por su adquisición de la unidad Electric Builders Box Classic Flame. Lea las instrucciones de instalación antes de instalar y operar este aparato.

**IMPORTANTE:** Lea todas las instrucciones y advertencias con detenimiento antes de utilizar este aparato.

Si no se siguen las instrucciones, podría provocarse riesgo de descarga eléctrica, incendio o lesiones y, además, la garantía perdería validez.

#### Servicio de atención al cliente:

Correo electrónico: [parts@twinstarhome.com](mailto:parts@twinstarhome.com)  
Línea para llamadas en inglés: 866-661-1218  
Línea para llamadas en francés: 866-374-9203  
Línea para llamadas en español: 866-661-1218

Twin-Star International, Inc.

Delray Beach, FL 33445

Estados Unidos

Fabricado en China

Impreso en China

©2010, Twin-StarInternational, Inc.

# ! INSTRUCCIONES IMPORTANTES

Lea y comprenda todo este manual antes de intentar ensamblar, operar o instalar el producto. Cuando se utilizan aparatos eléctricos, siempre se deben tomar las precauciones básicas para reducir el riesgo de incendio, descarga eléctrica y lesiones. Las precauciones incluyen:

1. Leer todas las instrucciones antes de usar este aparato.
2. El aparato no debe ser utilizado por niños o personas con capacidades físicas, sensoriales o mentales reducidas, ni sin experiencia y conocimiento, salvo que estén bajo supervisión o se le hayan brindado las instrucciones correspondientes.
3. Todas las reparaciones a esta unidad Builders Box deberán ser realizadas por una persona calificada de mantenimiento.
4. No utilice el aparato en exteriores.
5. Para cortar la energía a la unidad, coloque el interruptor de encendido (ON) y apagado (OFF) en la posición OFF.
6. Al instalar este aparato, éste deberá contar con una conexión eléctrica a tierra de acuerdo con códigos locales o, en ausencia de códigos locales, con el Código Canadiense de Electricidad vigente, norma CSA C22.1 o, para las instalaciones en EE. UU., de acuerdo con códigos locales y el Código Nacional de Electricidad, ANSI/NFPA N.º 70.
7. Este aparato se calienta cuando está en uso. Para evitar quemaduras, no permita que la piel sin protección entre en contacto con superficies calientes. Si están incluidas, utilice las manijas para mover este aparato. Mantenga los materiales inflamables, como muebles, almohadas, ropa de cama, papeles, prendas de vestir y cortinas a un mínimo de 3 pies (0.9 m) de distancia de la parte frontal de este aparato.

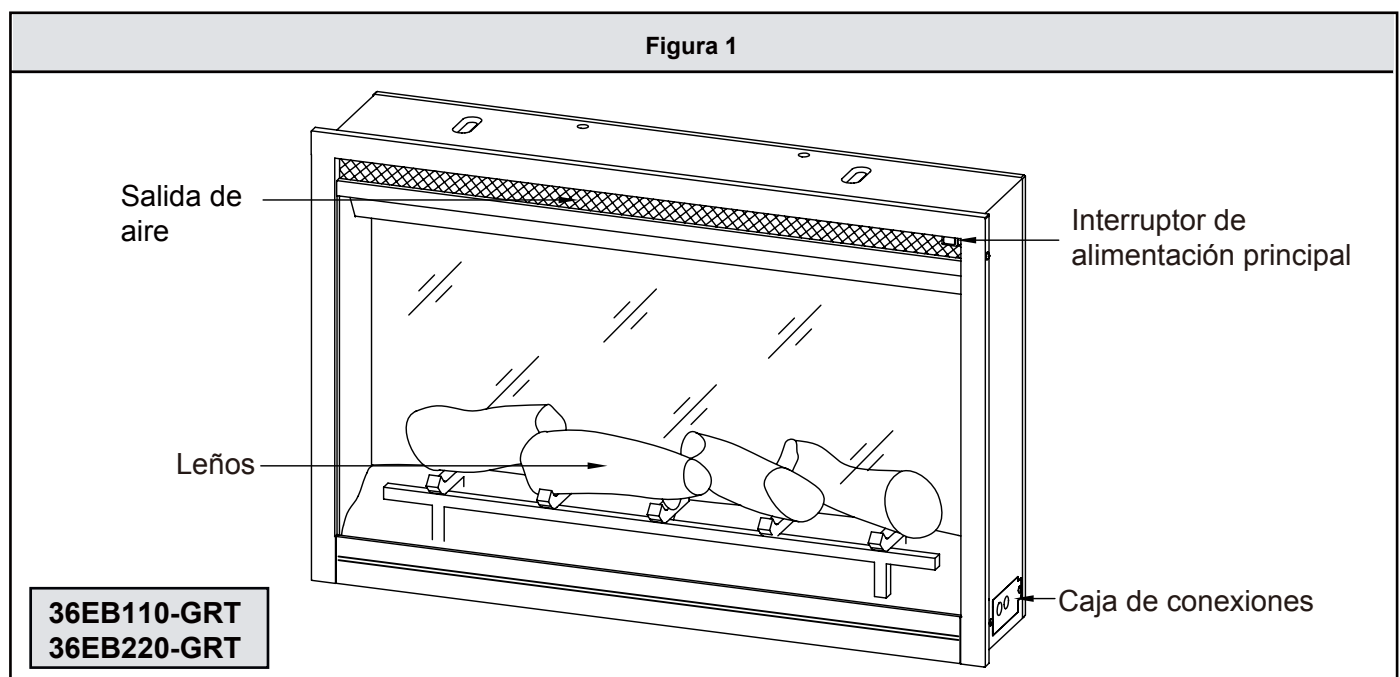
**ADVERTENCIA:** Para evitar el sobrecalentamiento del aparato, no cubra el calentador. No se puede utilizar en un armario.

8. Hay un limitador termostático dentro del calentador. Si la temperatura interna es excesiva o si ocurre un calentamiento anormal, el dispositivo de protección del termostato corta el suministro de energía para evitar daños a la chimenea o que se genere un riesgo de incendio.
9. Los calentadores no deben colocarse justo debajo de un tomacorriente.
10. A fin de evitar un posible incendio, no bloquee las entradas ni las salidas de aire de manera alguna. No utilice el aparato sobre superficies blandas, como una cama, donde la abertura podría bloquearse.
11. Utilice este aparato únicamente como se describe en el manual. Cualquier otro uso no recomendado por el fabricante podría causar un incendio, una descarga eléctrica o lesiones.

## GUARDE ESTAS INSTRUCCIONES

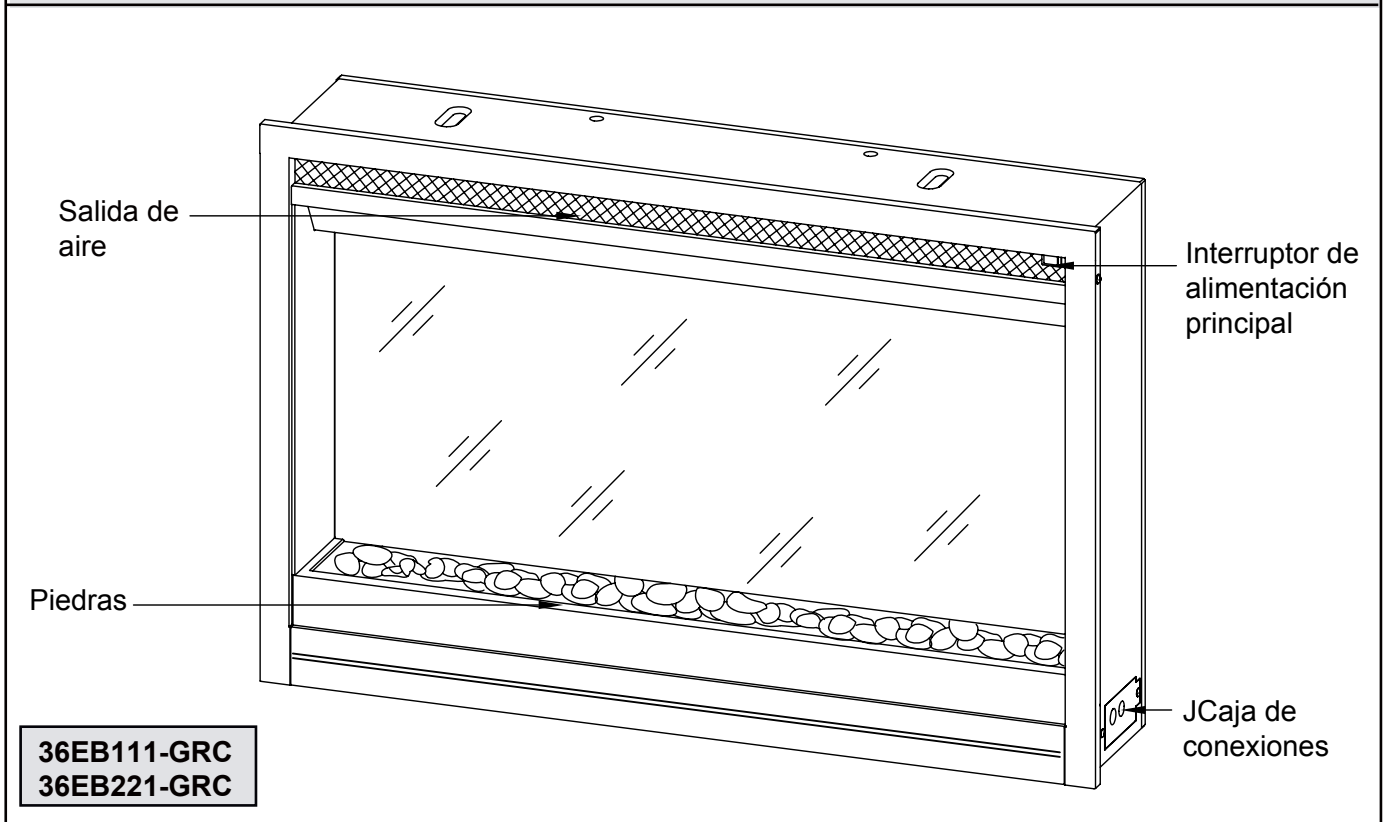
### INFORMACIÓN DE ORIENTACIÓN DEL PRODUCTO

Figura 1



# INFORMACIÓN DE ORIENTACIÓN DEL PRODUCTO

Figura 2



## LISTA DE PIEZAS

Nombre de la Pieza	36EB110-GRT 36EB220-GRT	36EB111-GRC 36EB221-GRC
Leños	✓	
Piedras		✓
Calentador	✓	✓
Conjunto del ventilador	✓	✓
Interruptor de alimentación principal	✓	✓
PCBA (Conjunto de placa de circuito impreso) principal	✓	✓
PCBA de llama	✓	✓
Pantalla de proyección frontal	✓	✓
Motor de accionamiento del generador de llama	✓	✓
Rotador/generador de llama	✓	✓
Control remoto: 6 botones	✓	
Control remoto: 8 botones		✓
Caja de control: 7 botones	✓	
Caja de control: 9 botones		✓

# OPERACIÓN

La unidad Builders Box puede operarse mediante la caja de control para montar en la pared o el control remoto.

## FUNCIONES DE LOS CONTROLES

**Nota:** Asegúrese de que el interruptor de alimentación principal esté en la posición de encendido (ON) para operar la unidad (figura 3).

### POWER (ENERGÍA)

El botón de energía colocará el inserto en modo de espera. Esto apagará todas las funciones y mantendrá las opciones de configuración en la memoria; al presionar el botón otra vez, la unidad se encenderá nuevamente con los mismos ajustes.

### COLOR (LLAMA)

Cambia el color del efecto de llama. Hay 3 configuraciones de color disponibles: naranja, azul, y azul y naranja.

### NIVEL (LLAMA)

Cambia el brillo del efecto de llama. Hay cinco niveles de brillo entre los que puede elegir y la opción de apagado "OFF".

### UP FLAME (AUMENTAR LLAMA)

Aumenta la intensidad de la llama. Hay cinco niveles de brillo y OFF (apagado).

### DOWN FLAME (DISMINUIR LLAMA)

Disminuye la intensidad de la llama. Hay cinco niveles de brillo y OFF (apagado).

### HEAT (CALOR)

Enciende y apaga el calentador. El indicador LED al lado del botón se encenderá cuando el calentador esté encendido.

**NOTA:** Mantener presionado durante diez (10) segundos el botón POWER del panel de control desactivará la función del calentador. Para volver a habilitar el calentador, mantenga presionado el botón POWER durante 10 segundos.

### PANTALLA DE TEMPERATURA

Muestra la temperatura ambiente actual; el rango operativo es entre 60 °F Y 90 °F.

### TIMER (TEMPORIZADOR)

Hay diez ajustes del temporizador (OFF, 30 minutos, 1 h, 2 h, 3 h, 4 h, 5 h, 6 h, 7 h, 8 h y 9 h). Al presionar el botón, el ciclo pasará por todos los ajustes.

### UP LIGHT EFFECTS (EFECTOS DE LUZ SUPERIOR)

Al presionar este botón, el efecto de la luz superior cambiará entre seis ajustes: blanco, rojo, verde/rojo/verde/azul, verde/azul, blanco/azul/rojo, azul y OFF.

### DOWN LIGHT EFFECTS (EFECTOS DE LUZ INFERIOR)

Al presionar este botón, el efecto de la luz inferior cambiará entre seis ajustes: blanco, rojo, verde/rojo/verde/azul, verde/azul, blanco/azul/rojo, azul y OFF.

### AUTO LIGHT EFFECTS (EFECTOS DE LUZ AUTOMÁTICOS)

Enciende y apaga el ciclo automático de las luces superiores e inferiores.

### EMBERS (BRASAS)

Enciende y apaga el efecto de brasas ondulantes.

### THERMOSTAT (TERMOSTATO)

El termostato configura el nivel de corte del calentador.

Figura 3

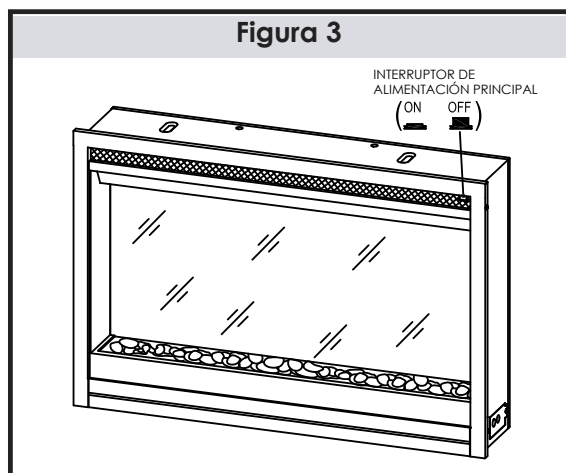


Figura 4

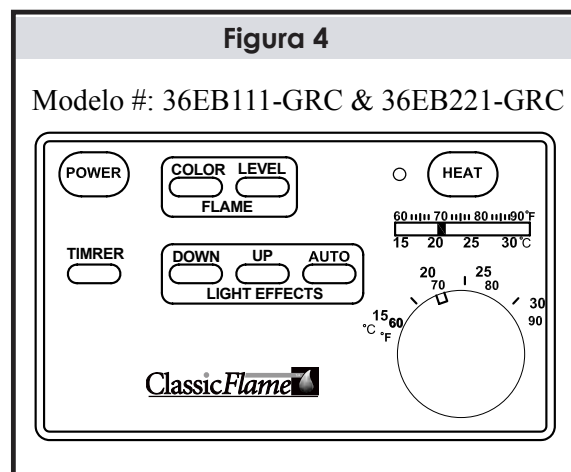
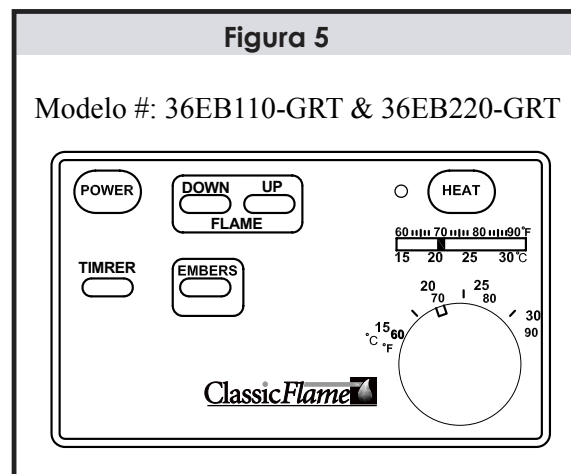


Figura 5



NOTA: OPERE EL TRANSMISOR REMOTO LENTAMENTE. PRESIONE LOS BOTONES DEL CONTROL REMOTO CON UN MOVIMIENTO PAREJO Y UNA PRESIÓN SUAVE. PRESIONAR LOS BOTONES REPETIDAMENTE EN UNA SECUENCIA RÁPIDA PUEDE CAUSAR UN MAL FUNCIONAMIENTO DEL TRANSMISOR.

**Nota:** Cuando se cambia una función desde el panel de control o el control remoto, aparece el indicador correspondiente (vea la figura 6) en la esquina superior derecha de la pantalla de proyección. El indicador muestra la función que se cambió y el nivel que se seleccionó mediante el panel de control o el control remoto. Cuando la función se apague, el indicador correspondiente titilará cinco veces y luego desaparecerá.

### REEMPLAZO DE LA BATERÍA DEL CONTROL REMOTO

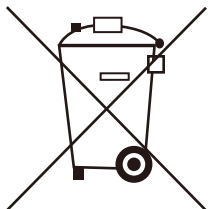
Cuando el control remoto deja de funcionar o parece tener un menor alcance, es hora de reemplazar la batería por una nueva.

1. El compartimiento de la batería está en el extremo trasero del control remoto.
2. Presione y deslice la puerta de la batería y quite la batería vieja.
3. Coloque una batería CR2032, controle que los polos + y – coincidan con el interior del compartimiento.
4. Vuelva a colocar la cubierta del compartimiento de la batería.

### ELIMINACIÓN DE LAS BATERÍAS USADAS

La batería puede contener sustancias peligrosas que pueden poner en peligro el medio ambiente y la salud de las personas.

Este símbolo marcado en la batería o el paquete indica que las baterías usadas no deben tratarse como desechos municipales. Las baterías deben eliminarse en un lugar de recolección apropiado para su reciclado.



Al asegurarse de que las baterías usadas se desechen correctamente, ayudará a evitar posibles consecuencias negativas para el medio ambiente y la salud de las personas. El reciclado de materiales ayudará a conservar los recursos naturales.

Si desea más información sobre el reciclado de las baterías usadas, póngase en contacto con el servicio de eliminación de desechos de su municipio.

Para el módulo con función remota, como una característica de seguridad importante, el elemento de calefacción está diseñado con una secuencia de activación retardada. Por ende, cuando el calentador esté ENCENDIDO [ON] la unidad tardará varios minutos en comenzar a soplar aire caliente. En consecuencia, el soplador del ventilador seguirá funcionando durante varios minutos después que el calentador esté apagado [OFF].

El calentador no funciona, pero el interruptor de alimentación eléctrica y el interruptor del calentador están en posición abierta “ON” y el termostato está en posición alta “HI”. La unidad está en modo protegido. Coloque todos los interruptores en posición cerrada “OFF” y desenchufe la unidad del tomacorriente, durante 30 minutos aproximadamente. Después, vuelva a enchufar la unidad y póngala en marcha normalmente.



Figura 6: Remote Control

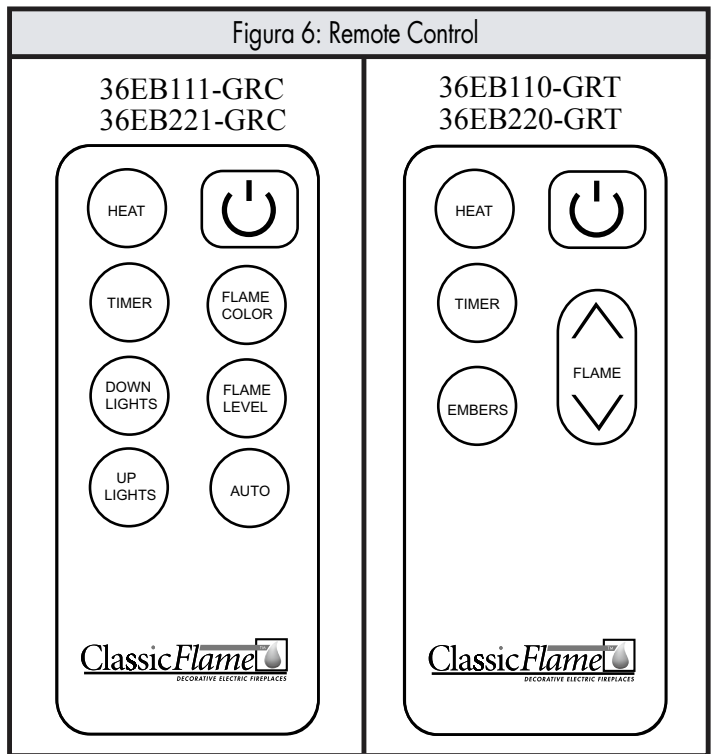
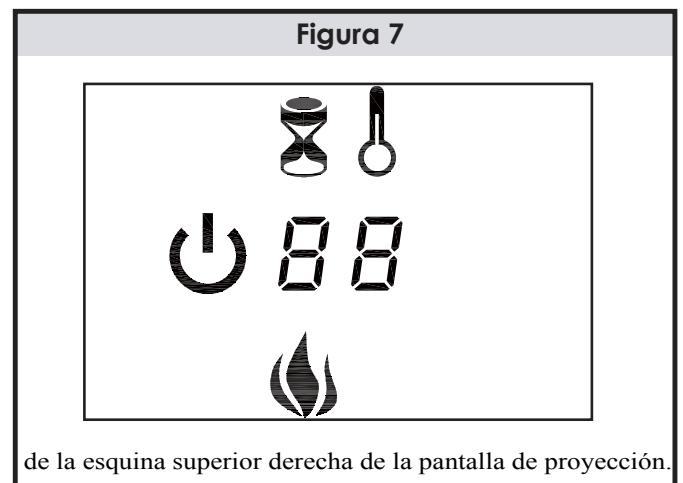


Figura 7



# GARANTÍA LIMITADA DE DOS AÑOS (HOGAR ELÉCTRICO PARA CHIMENEA EMPOTRADO Y/O INSTALADO EN FORMA PROFESIONAL)

Twin-Star International, Inc. (la "Compañía") garantiza al comprador original de un nuevo hogar eléctrico para chimenea ClassicFlame empotrado y/o instalado en forma profesional (el "Hogar eléctrico para chimenea") que el producto está libre de defectos de fabricación en relación con la mano de obra y los materiales, durante un período de dos (2) años a partir de la fecha de compra minorista original a un distribuidor Twin-Star calificado/autorizado, sujeto a los siguientes términos, condiciones y limitaciones. Esta garantía es únicamente para los EE. UU. y Canadá.

## I. Qué cubre esta garantía limitada y durante cuánto tiempo

La Compañía garantiza que el Hogar eléctrico para chimenea está libre de defectos en relación con la mano de obra y los materiales, durante un período de dos (2) años a partir de la fecha de compra minorista original, conforme a lo siguiente: al reemplazo de productos o piezas defectuosas (no incluye servicio a domicilio) tal como se describe detalladamente a continuación en la Sección IV.

## II. Qué no cubre esta garantía limitada

Esta garantía limitada no cubre

(a) el reemplazo de las bombillas del Hogar eléctrico para chimenea,

(b) los componentes del Hogar eléctrico que se hayan reparado (excepto los reparados por la Compañía o por sus representantes del servicio técnico autorizado) o que se hayan alterado o modificado de algún otro modo,

(c) los daños, los defectos ni el funcionamiento incorrecto como resultado del envío o transporte, de la mala utilización, abuso, accidente, negligencia, instalación incorrecta, mantenimiento o manejo inadecuado ni del funcionamiento con una fuente de alimentación incorrecta,

(d) los daños causados por fuego, agua, luz, sobrecarga de energía, condiciones ambientales anormales u otros desastres naturales ni

e) el desgaste habitual.

La Compañía se reserva el derecho de analizar todos los reclamos de garantía y de determinar si los defectos

o daños reclamados están cubiertos por esta garantía limitada. Esta garantía limitada cubre únicamente al comprador original del Hogar eléctrico para chimenea que haya sido adquirido a través de un distribuidor Twin-Star calificado/autorizado en los EE. UU. o Canadá, y no es transferible.

## III. Qué debo hacer para obtener servicio técnico conforme a esta garantía limitada

Para obtener el servicio de la garantía, contáctese con la Compañía por teléfono al 1- 866-661-1218 o por correo a la siguiente dirección 1690 South Congress Ave., Suite 210 Delray Beach, FL 33445, USA. Al momento de comunicarse tenga a mano el comprobante de compra, catálogo/modelo, código de fecha de fabricación y números de serie. Para obtener el servicio de la garantía es necesario que el comprobante de compra tenga el lugar y fecha de la compra original.

## IV. Qué hará la Compañía frente a un reclamo cubierto por la garantía

Para los reclamos de garantía válidos que se realicen antes de la finalización del segundo año de la fecha de compra minorista original, la Compañía decidirá, según su criterio exclusivo, reparar o reemplazar sin cargo la pieza o el producto defectuoso. En caso de que la Compañía no pueda reparar o reemplazar la pieza o el producto defectuoso cubierto, o si la reparación o reemplazo no es comercialmente viable o no puede realizarse de manera conveniente, la Compañía podrá decidir, según su criterio exclusivo, reembolsar el precio de compra de la pieza o del producto defectuoso en lugar de reemplazarlo. Los servicios de la garantía mencionados en este párrafo no incluyen servicios de la garantía a domicilio ni en las instalaciones, y usted será el único responsable de todos los gastos incurridos por la extracción de la pieza o del producto defectuoso y por la instalación de la pieza o del producto de reemplazo, incluso entre otros, todos los costos de mano de obra, de envío y transporte hacia y desde la Compañía y/o su distribuidor o agente de servicio técnico autorizado. Todos los servicios técnicos de la garantía los realizarán únicamente los distribuidores o agentes de servicio técnico autorizado de la Compañía. Los servicios técnicos a domicilio o en las instalaciones no cubiertos por esta garantía limitada podrán realizarse si lo solicita específicamente y a su cargo, conforme a las tarifas habituales de la Compañía para tales servicios.



## V. RENUNCIA DE GARANTÍA Y LIMITACIÓN DE RESPONSABILIDAD

NO EXISTEN OTRAS GARANTÍAS EXPLÍCITAS OFRECIDAS POR LA COMPAÑÍA QUE NO SEAN LAS GARANTÍAS LIMITADAS DESCRITAS ANTERIORMENTE. LA COMPAÑÍA RENUNCIA A TODAS LAS GARANTÍAS IMPLÍCITAS, INCLUSO ENTRE OTRAS, A TODAS LAS GARANTÍAS IMPLÍCITAS DE COMERCIALIZACIÓN O ADECUACIÓN PARA UN DETERMINADO FIN. EN LA MEDIDA EN QUE TODA JURISDICCIÓN PERTINENTE PROHÍBA LA RENUNCIA DE GARANTÍAS IMPLÍCITAS, TALES GARANTÍAS QUEDARÁN LIMITADAS A LOS PERÍODOS CORRESPONDIENTES ESTABLECIDOS EN LAS PRESENTES GARANTÍAS LIMITADAS EXPLÍCITAS DESCRITAS ANTERIORMENTE. EN NINGÚN CASO, LA COMPAÑÍA, NI NINGUNO DE SUS DIRECTORES, AUTORIDADES NI AGENTES SERÁN RESPONSABLES ANTE NINGÚN COMPRADOR, PROPIETARIO O USUARIO DEL HOGAR ELÉCTRICO PARA CHIMENEA, O ANTE TERCEROS, POR CUALQUIER PÉRDIDA, COSTO O DAÑO INDIRECTO, ESPECIAL, PUNITIVO, JURÍDICO, RESULTANTE O EVENTUAL, YA SEA DE CARÁCTER CONTRACTUAL, EXTRA CONTRACTUAL U OTRO, QUE SURJA DE LA VENTA, MANTENIMIENTO, USO O INCAPACIDAD DE USAR EL HOGAR ELÉCTRICO PARA CHIMENEA, INCLUSO SI SE HA

ADVERTIDO A LOS DIRECTORES, AUTORIDADES O AGENTES DE LA POSIBILIDAD DE TALES PÉRDIDAS, COSTOS O DAÑOS, O SI LAS MISMAS SON PREVISIBLES. EN NINGÚN CASO LA COMPAÑÍA NI NINGUNO DE SUS DIRECTORES, AUTORIDADES NI AGENTES SERÁN RESPONSABLES POR CUALQUIER PÉRDIDA, COSTO O DAÑO DIRECTO QUE SUPERE EL PRECIO DE COMPRA DEL HOGAR ELÉCTRICO PARA CHIMENEA.

ALGUNAS JURISDICCIONES NO PERMITEN LIMITACIONES SOBRE LA DURACIÓN DE UNA GARANTÍA IMPLÍCITA, NI LA EXCLUSIÓN O LIMITACIÓN DE DAÑOS ACCIDENTALES O RESULTANTES, DE MODO QUE LAS LIMITACIONES O EXCLUSIONES ANTERIORES PROBABLEMENTE NO SE APLIQUEN A SU CASO.

**CUALQUIER SERVICIO O TRABAJO DE REPARACIÓN QUE SE CONSIDERE NECESARIO DEBE REALIZARLO UN ESPECIALISTA EN REPARACIÓN. NO INTENTE REALIZAR NINGÚN SERVICIO NI TRABAJO DE REPARACIÓN USTED MISMO. EL SERVICIO O LA REPARACIÓN INADECUADA PUEDE CAUSAR DAÑO A LA PROPIEDAD, LESIONES PERSONALES O LA PÉRDIDA DE LA VIDA.**

Esta garantía limitada le otorga derechos legales específicos y además, usted puede tener otros derechos que varían de una jurisdicción a otra. Las cláusulas del Convenio de las Naciones Unidas sobre contratos para la venta de bienes no se aplican a la presente garantía limitada ni a la venta de productos cubiertos por esta garantía limitada.

Twin-Star International, Inc.  
Delray Beach, FL 33445

Hecho en China  
Impreso en China



**INSTRUCTION MANUAL ENCLOSED  
MANUEL D'INSTRUCTION À L'INTÉRIEUR  
MANUAL DE INSTRUCCIONES ADJUNTO**

**STOP**

**ATTENTION**

**STOP**

**IF YOU HAVE ANY PROBLEMS OR QUESTIONS, EMAIL  
OR CALL CUSTOMER SERVICE BEFORE YOU RETURN  
THIS PRODUCT TO THE STORE WHERE IT WAS PURCHASED.**

For Customer Service: email: [parts@twinstarhome.com](mailto:parts@twinstarhome.com)  
in English Call: 866-661-1218  
in Spanish Call: 866-661-1218  
in French Call: 866-374-9203

**PARE**

**ATENCIÓN**

**PARE**

**SI TIENE ALGÚN PROBLEMA O PREGUNTAS,  
ENVÍE UN MENSAJE DE CORREO ELECTRÓNICO O LLAME AL SERVICIO  
DE ATENCIÓN AL CLIENTE ANTES DE DEVOLVER  
ESTE PRODUCTO A LA TIENDA EN LA QUE LO COMPRÓ.**

Servicio de atención al cliente: Correo electrónico: [parts@twinstarhome.com](mailto:parts@twinstarhome.com)  
Línea para llamadas en inglés: 866-661-1218  
Línea para llamadas en español: 866-661-1218  
Línea para llamadas en francés: 866-374-9203

**ARRÊT**

**ATTENTION**

**ARRÊT**

**SI VOUS AVEZ DES PROBLÈMES OU DES QUESTIONS,  
ENVOYEZ UN COURRIEL AU SERVICE À LA CLIENTÈLE OU APPELEZ LE  
SERVICE À LA CLIENTÈLE AVANT DE RETOURNER  
CE PRODUIT OÙ VOUS L'AVEZ ACHETÉ.**

Pour le service à la clientèle : courriel : [parts@twinstarhome.com](mailto:parts@twinstarhome.com)  
pour le service en anglais, appelez au: 866-661-1218  
pour le service en espagnol, appelez au: 866-661-1218  
pour le service en français, appelez au: 866-374-9203

**INSTRUCTION MANUAL ENCLOSED  
MANUEL D'INSTRUCTION À L'INTÉRIEUR  
MANUAL DE INSTRUCCIONES ADJUNTO**