

.....BMS COLT 700 LSX 2S/4S

° ∞-U" O @ouky#u@Vo

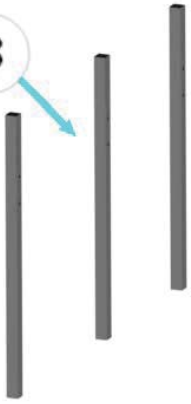
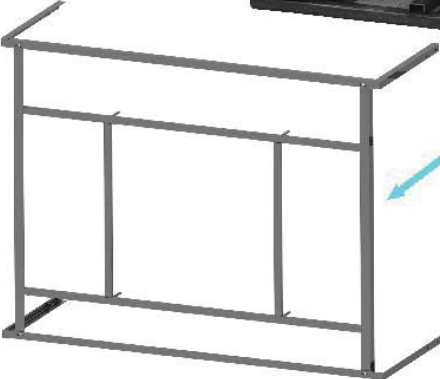
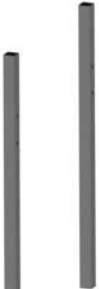


TABLE OF CONTENTS



- 1 IRON FRAME REMOVAL**
- 2 PART DETAILS**
- 3 STEERING WHEEL, SEAT REASSEMBLY**
- 4 CAB ASSEMBLY 1**
- 5 CAB INSTALLATION**
- 6 SEAT BELT ASSEMBLY**

IRON FRAME REMOVAL



- 1. Remove front & Rear iron frame
- 2. Remove top iron frame
- 3. Remove side metal bar

2

1

3

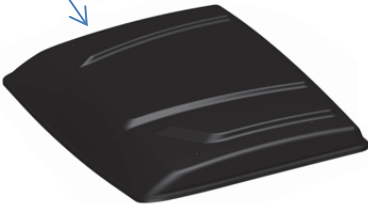
1

3

PART DETAILS



Roof



Steering Wheel



Passenger seat

Driver seat



Windshield

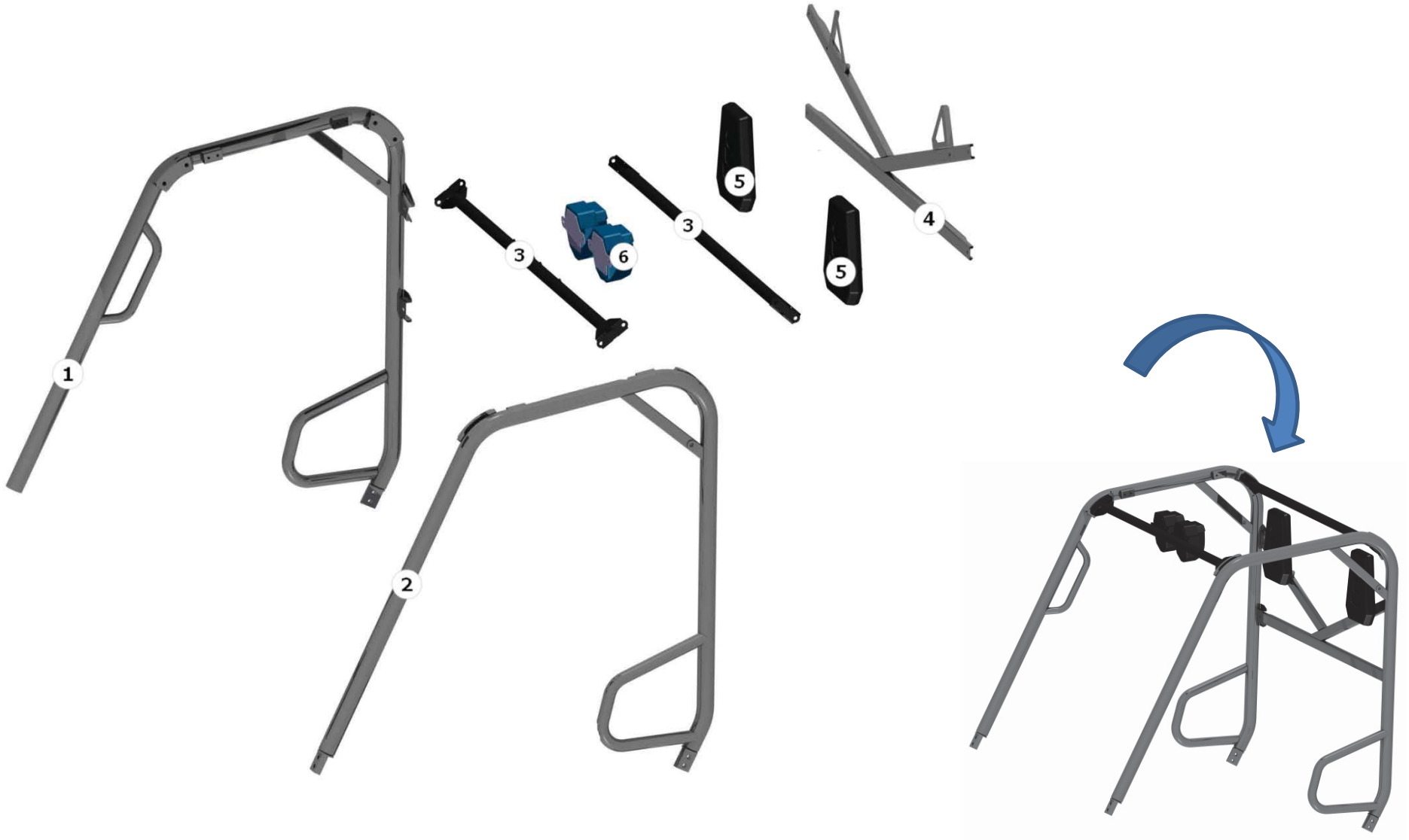


Roll cage

STEERING WHEEL, SEAT REASSEMBLY



CAB ASSEMBLY 1



CAB ASSEMBLY 2



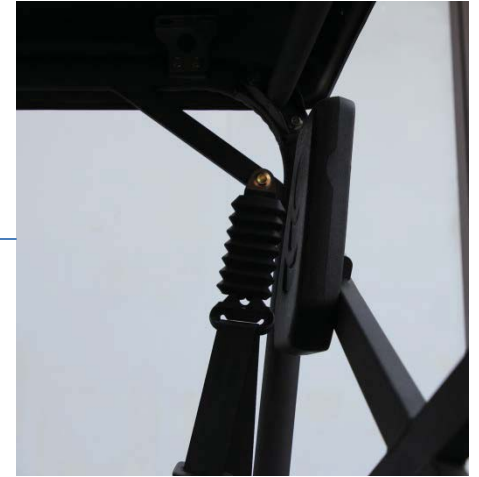
CAB INSTALLATION

DMS




SEAT BELT ASSEMBLY


DMS



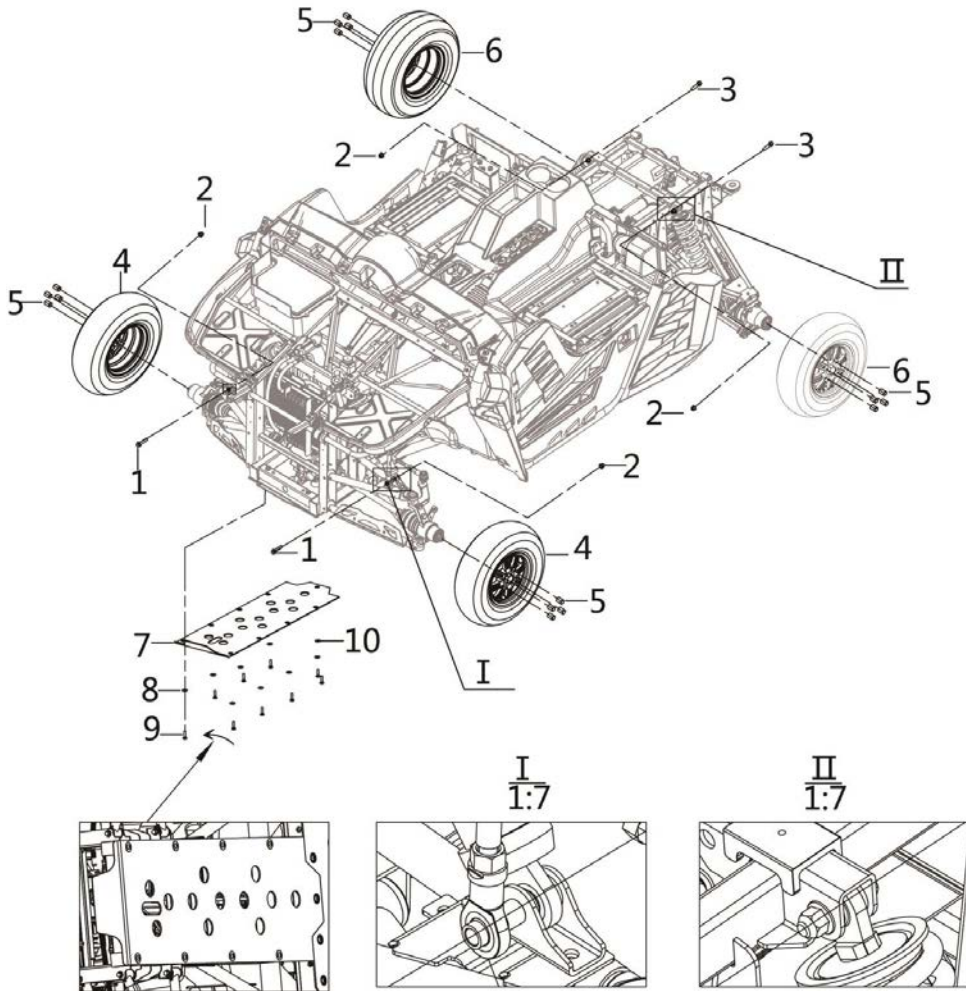
SPECIFICATIONS



SPECIFICATIONS	
 Engine	
Engine Type	Single Cylinder, 4 Stroke, SOHC
Cooling System	Oil and Water Cooled combine
Bore X Stroke	102.00 X 84.00 mm
Compression Ratio	9.50 : 1
Horse Power	43.00 HP
Top Speed	45.00 mph
Max Torque	62.00
Ignition Type	EFI
Starter System	Electric & Recoil
Engine Oil	SAE 10W/40
Lubrication	Wet Sump
Transmission	L-N-H-R CVT Fully Automatic

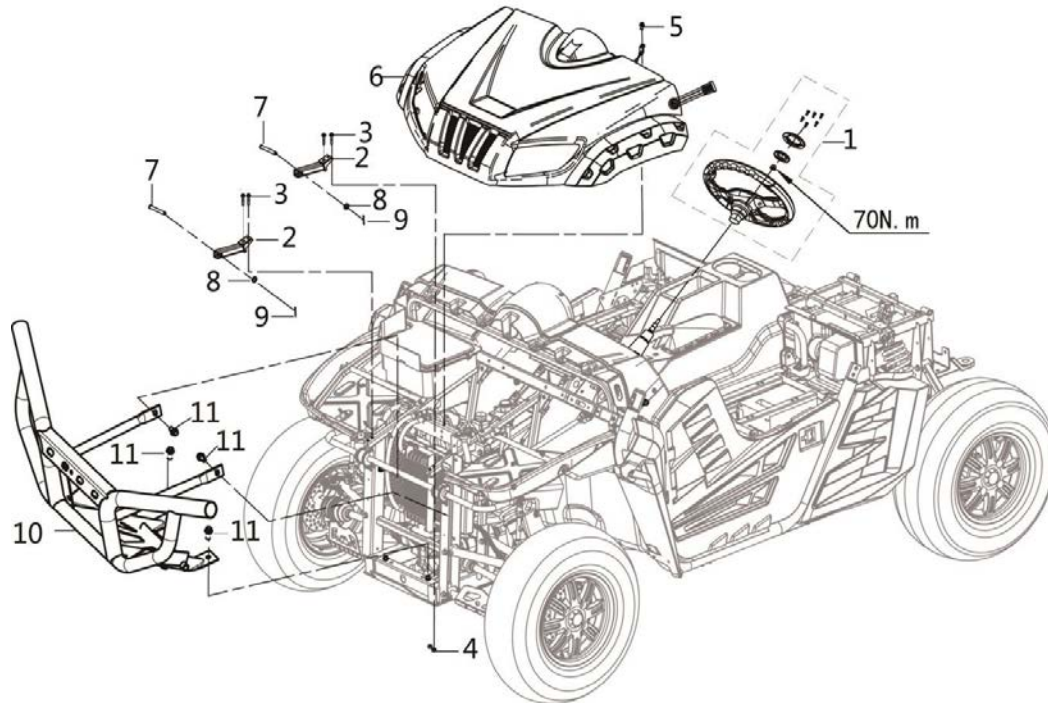
 Chassis	
Front Suspension	Independent Double Swing Arm
Rear Suspension	Independent Double Swing Arm
Front Tire	AT 25 x 8-12 Radial
Rear Tire	AT 25 x 10-12 Radial
Brake (front/rear)	Both Dual Ventilated Hydraulic Disc
 Dimensions	
Overall L x W x H	115.2 X 60.3 X 78.5 in
Seat Height	33 in
Wheel Base	75.30
Ground Clearance	11.20 in
Rider Capacity	2 person
Fuel Capacity	7.40 gallon
Load Capacity	800 lbs
Net Weight	1,200 lbs
Gross Weight	1,200 lbs

1、TIRE、SUSPENSION REASSEMBLY



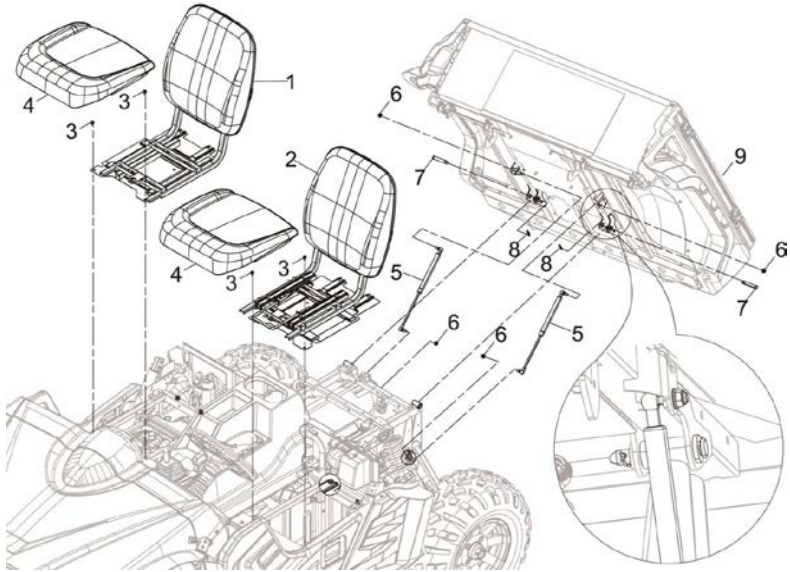
No.	Part#	Part Name	Specification	Qty	Requirements
1	380140712-0001	BOLT	M10×1.25×80	2	52 N.m
2	380400042-0001	NUT	M10×1.25	4	52 N.m
3	380140710-0001	BOLT	M10×1.25×45	2	52 N.m
4	290110071-0001	HUB, FRONT WHEEL		2	
	290150714-0001	TYRE ASSY.		2	
5	381590001-0001	TAPER NUT	M10×1.25	16	52 N.m
6	290280065-0001	HUB, REAR WHEEL		2	
	290150715-0001	TYRE ASSY.		2	
7	306560001-0001	FRONT PROTECTIV PLATE		1	
8	380451138-0001	WASHER, PLAIN	Φ33 , Φ7	8	
9	380190007-0001	SCREW, HEXAGON SOCKET	M6×12	9	5 N.m
10	380470128-0001	WASHER, FLANGE	Φ7×Φ33×1	1	

2、STEERING WHEEL、BUMPER、FRONT FENDER REASSEMBLY



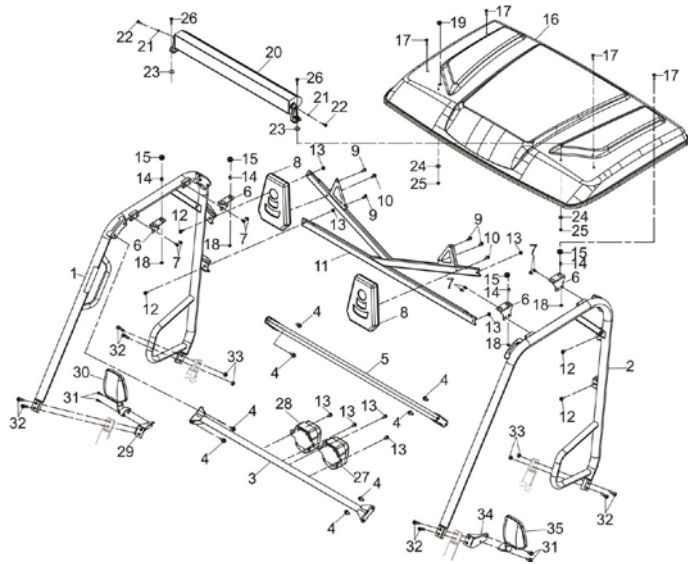
No.	Part#	Part Name	Specificatio	QTY	Require
1	320550002-	STEERING WHEEL ASSY.		1	
2	341220138-	BRACKET,FRONT PANEL LEFT		2	
3	380140100-	BOLT	M6×35	4	5
4	380400004-	NUT	M	4	5
5	380140067-	BOLT	M6×12	3	5
6	341210249	PANEL,FRONT		1	
	342440154-	DASH PANEL COMP		1	
	349020001-	CABLE OF FRONT PANEL		1	
	348690001-	RIGHT PROTECTIVE COVER OF FRONT		1	
	348700001-	LEFT PROTECTIVE COVER OF FRONT		1	
6	348680001-	BELT OF FRONT SHIELD COVER		2	
	380610388-	PIN,CLEVIS	Φ12×90	8	
8	380890129-	I-RUBBER		2	
9	380590034-	PIN,COTTER	Φ3.2×32	2	
10	307690001-	BUMPER		1	
11	380140207-	BOLT	M10×1.25×2	4	35

3、 SEAT、 CARRIER BOX AND DAMPER REASSEMBLY



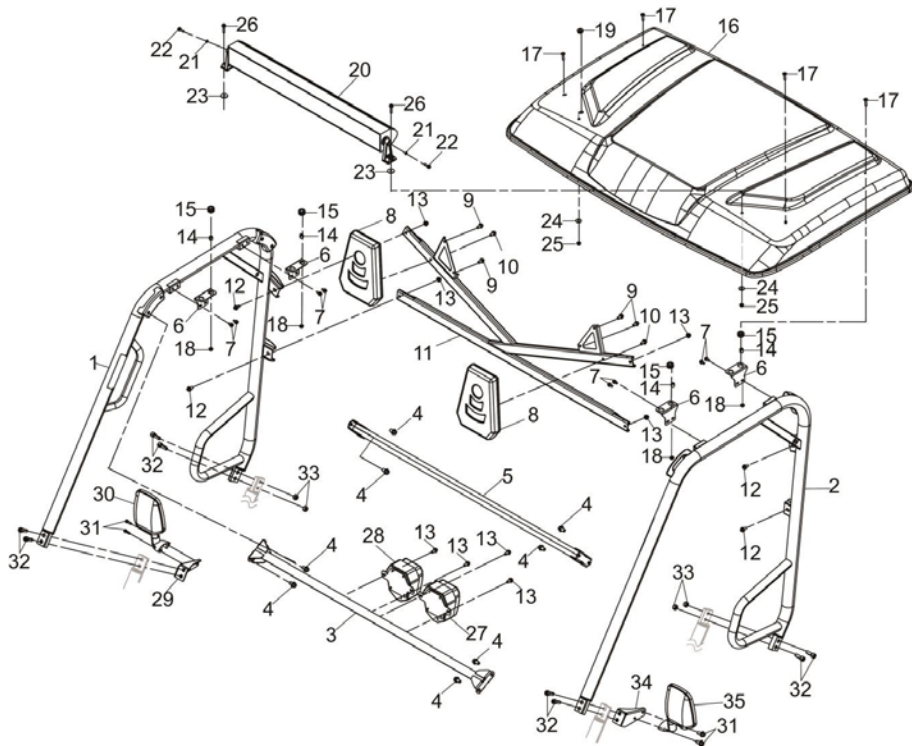
No.	Part#	Part Name	Specification	QTY	Requirements
1	336520002-0001	LEFT SEAT BRACKET		1	
	330330237-0001	BACKREST		1	
	307480002-0001	INSTALLATION PLATE COMP. OF RIGHT SEAT		1	
2	336610001-0001	RAIL ASSEMBLY		1	
	336520002-0001	LEFT SEAT BRACKET		1	
	307610002-0001	INSTALLATION PLATE ASSY. OF LEFT SEAT		1	
	330330237-0001	BACKREST		1	
3	380140040-0001	BOLT, HEXAGON FLANGE		4	
	330011143-0001	SEAT COMP.		2	
5	353420001-0001	AIR SUPPORTER		2	
6	380400007-0002	NUT	M8	4	18 N.m
7	380610378-0001	PIN, CLEVIS	Φ16 , Φ12_L=75	2	
8	382470001-0001	R-SHAPED LOCKING PIN		2	
9	353210001-0001	CARGO BOX ASSY		1	
	353130001-0001	PANEL OF TAIL GATE OF CARGO BOX		1	
	353250001-0001	LEFT PANEL OF CARGO BOX		1	
	353170001-0001	RIGHT PANEL OF CARGO BOX		1	
	353230001-0001	LEFT SHIELD OF CARGO BOX		1	
	353150001-0001	RIGHT SHIELD OF CARGO BOX		1	

4、 CAB ASSEMBLY (1)



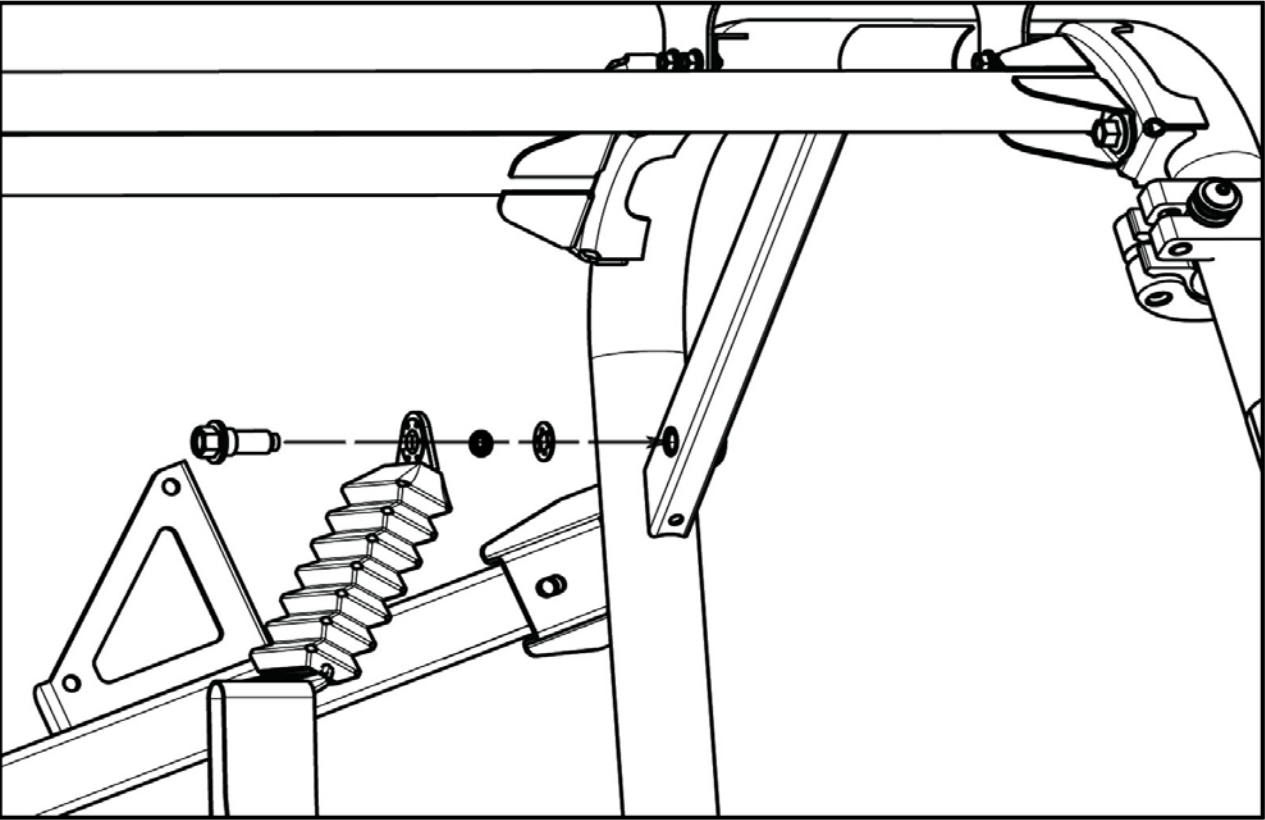
No.	Part#	Part Name	Specification	Quantity	Requirements
1	307060001-0001	RIGHT MAIN TUBE OF OPERATOR CABIN		1	
2	307080001-0001	LEFT MAIN TUBE OF OPERATOR CABIN		1	
3	307050001-0001	FRONT CROSS TUBE ASSY. OF OPERATOR CABIN		1	
4	380140434-0001	BOLT	M10×1.25×L16	8	35 N.m
5	307910001-0001	REAR CROSS TUBE ASSY. OF OPERATOR CABIN		1	
6	306690001-0001	LUG OF TOP COVER		4	
7	380140067-0001	BOLT	M6×L12	8	5 N.m
8	332910006-0001	HEADREST		2	
9	380190001-0001	SCREW, HEXAGON SOCKET	M6×16	4	5 N.m
10	380190137-0001	SCREW, HEXAGON SOCKET	M6×35	2	5 N.m
11	306990001-0001	REAR FORK ASSY. OF OPERATOR CABIN		1	
12	380140040-0001	BOLT	M8×16	4	18 N.m
13	380400007-0002	NUT	M8	8	18 N.m
14	380821805-0001	COLLAR	Φ12×Φ6.5×L12	4	
15	380890129-0001	I-RUBBER		4	
16	343510018-0001	TOP COVER OF OPERATOR CABIN	1355×826×131	1	
17	380190001-0001	SCREW, HEXAGON SOCKET	M6×16	4	5 N.m
18	382480002-0001	HEX. FLANGE NUT	M6	4	5 N.m

4、 CAB ASSEMBLY (2)

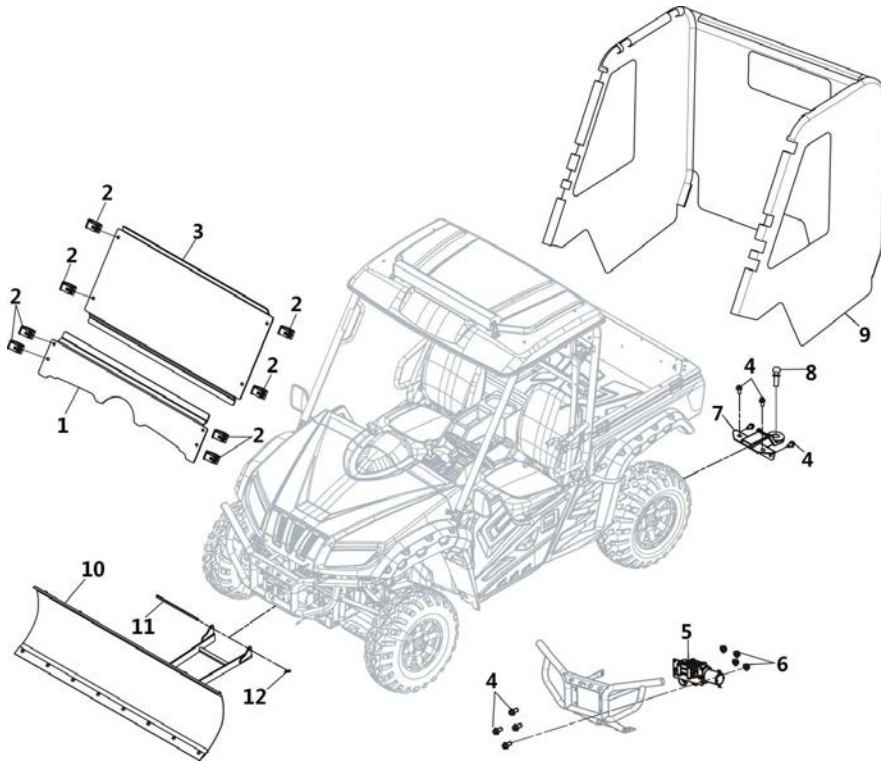


No.	Part#	Part Name	Specification	QTY	Requirements
19	380890314-0001	I-RUBBER	$\Phi 8 \times \Phi 12-3 \times \Phi 20 \times 9$	1	
20	285250001-0001	TOP LIGHT		1	
21	380460003-0002	WASHER, ELASTIC		2	
22	380140077-0002	BOLT, HEXAGON FLANGE	M6_L=20	2	5 N.m
23	380920094-0001	PLAIN WASHER, RUBBER	$\Phi 6_ \Phi 20$	2	
24	380450365-0002	WASHER, PLAIN	$\Phi 6_ \Phi 25$	2	
25	380400004-0002	NUT	M6	2	5 N.m
26	380140054-0001	BOLT	M6_L=30	2	5 N.m
27	281960010-0001	RADIO		1	
28	281970013-0001	SPEAKER, RADIO		1	
29	271480054-0001	SEAT, LEFT REAR VIEW MIRROR		1	
30	360530421-0001	MIRROR, RIGHT REAR VIEW		1	
31	380190008-0002	SCREW, HEXAGON SOCKET		4	
32	380190014-0001	SCREW, HEXAGON SOCKET	M10 \times 30	8	35 N.m
33	380390020-0001	NUT	M10	8	35 N.m
34	271480053-0001	SEAT, LEFT REAR VIEW MIRROR		1	
35	360500421-0001	MIRROR, LEFT REAR VIEW		1	

5, SAFETY BELT REASSEMBLY

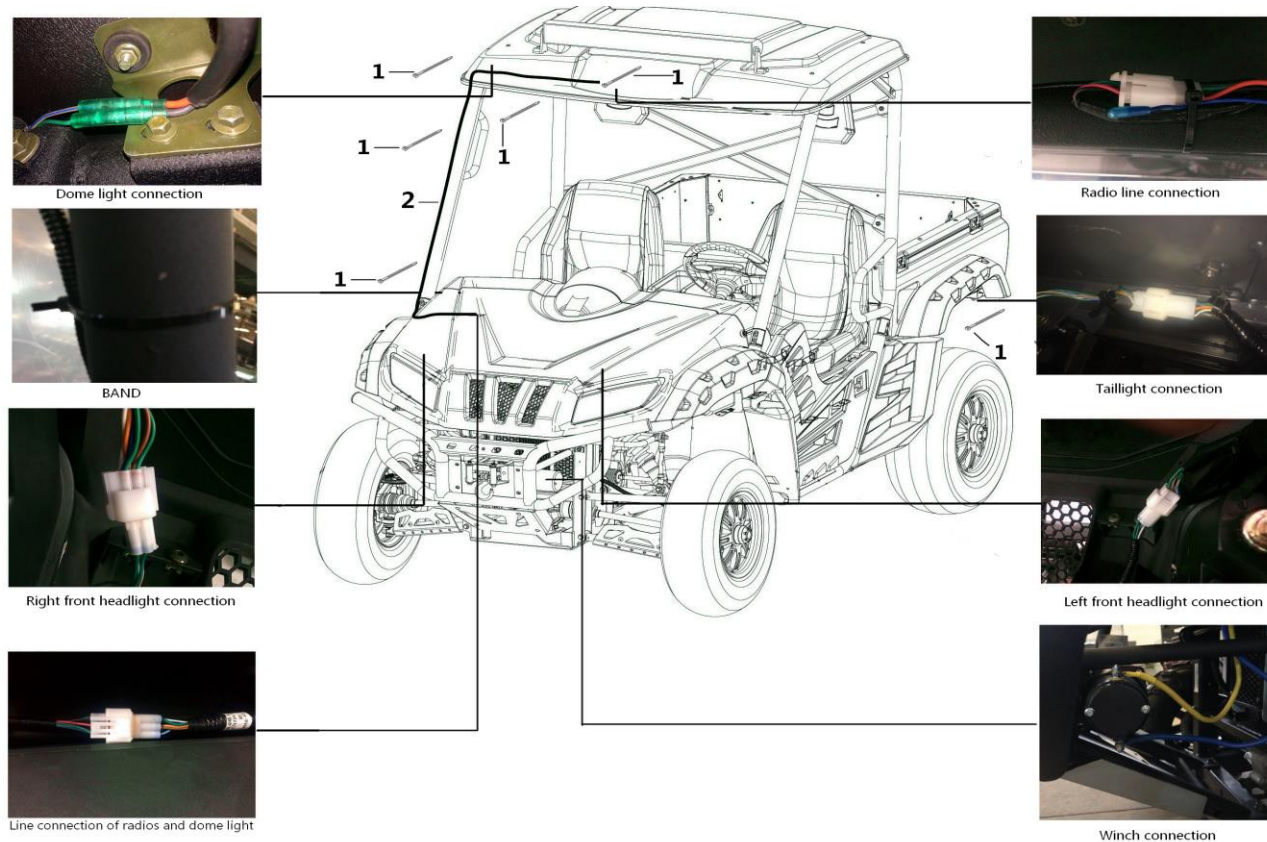


6. ATTACHMENT REASSEMBLY



No.	Part#	Part Name	Specification	QTY	Requirements
1	348670001-0001	LOWER PART OF WINDSHIELD GLASS		1	
2	380970101-0001	HOOP		6	
	382420001-0001	DAMPPING RUBBER		12	
3	348660001-0001	UPPER PART OF WHIDSHIELD GLASS		1	
4	380140207-0001	BOLT	M10×1.25_L=20	8	35 N.m
5	274340001-0001	WINCH		1	
	262190001-0001	CONNECTIVE PLATE OF WINCH		1	
	260630001-0001	LEADING BOGIE,CAPSTAN		1	
6	380400001-0002	NUT	M10×1.25	4	35 N.m
7	362470001-0001	BRACKET OF TRAILER		1	
8	362450001-0001	BALL JOINT OF TRAILER		1	
9	362500001	WINDSHIELD COVER		1	
10	362430001-0001	SNOWSHOVEL ASSY.		1	
11	380610383-0001	PIN,CLEVIS	d=12_L=330	1	
12	382470001-0001	R-SHAPED LOCKING PIN		1	

7、 WIRING INSTRUCTIONS AFTER INSTALLATION



No.	Part#	Part Name	Specification	Quantity	Requirements
1	380900267-0001	BAND		4	
2	271231791-0001	HARNESS,WIRE		1	