



# Firefighter Toddler Cot

## Assembly Instructions

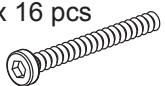
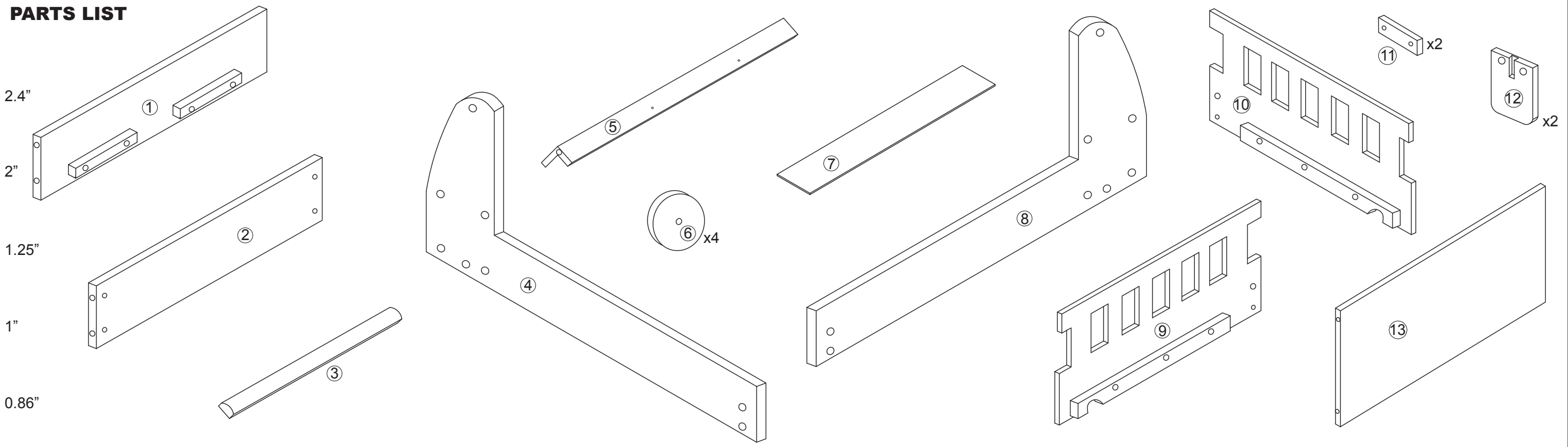
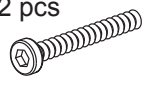
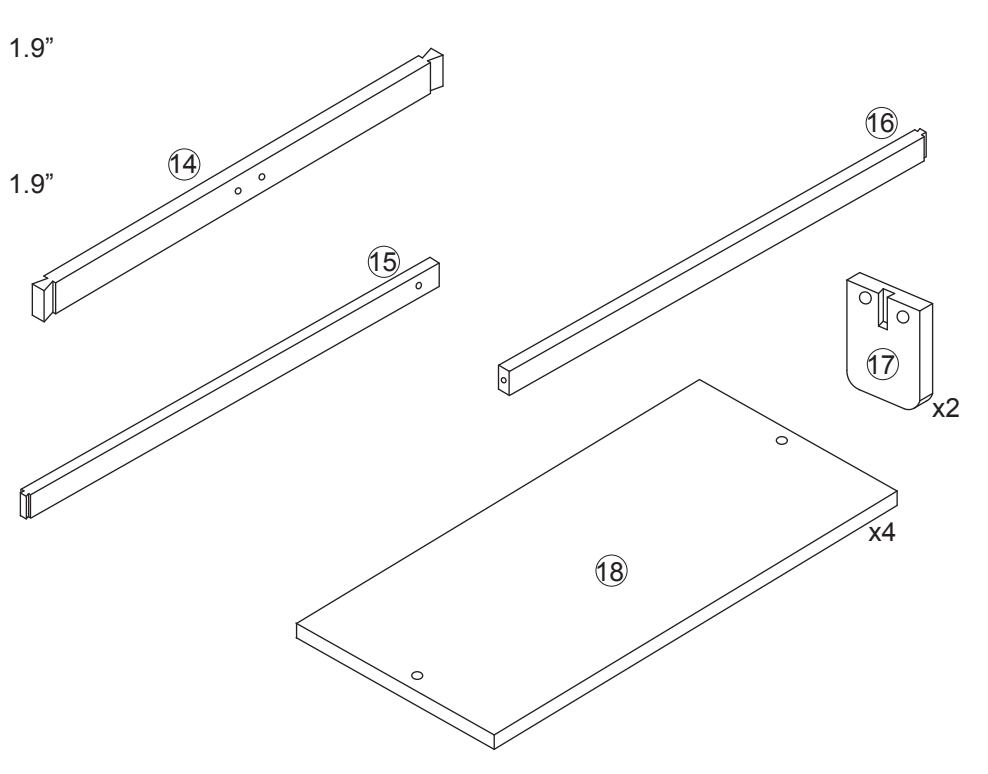

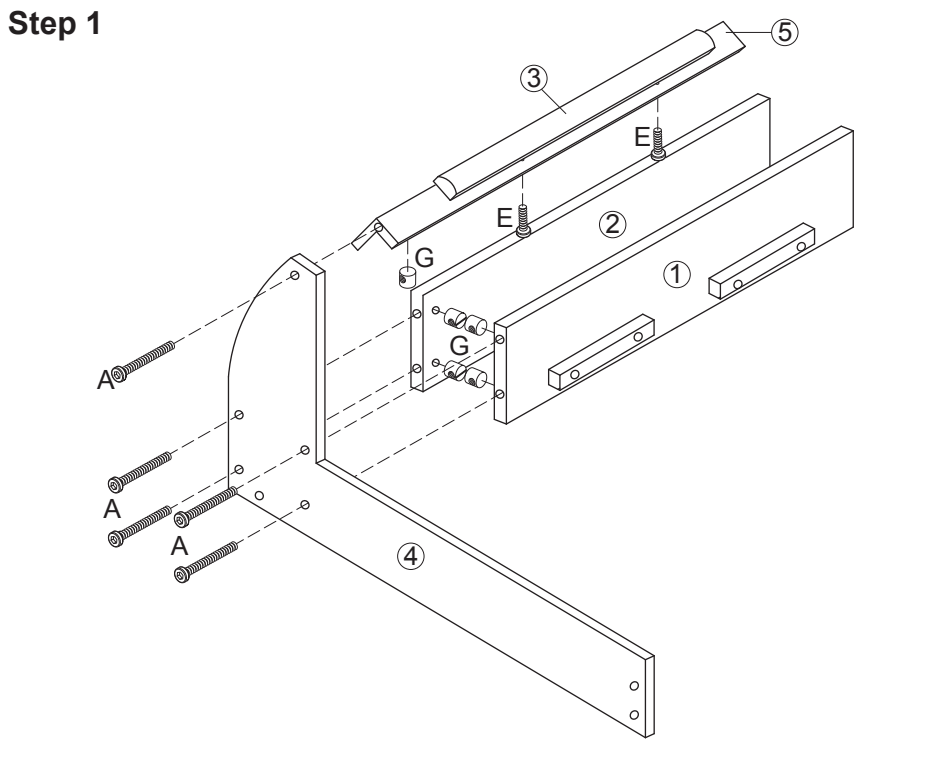
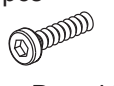
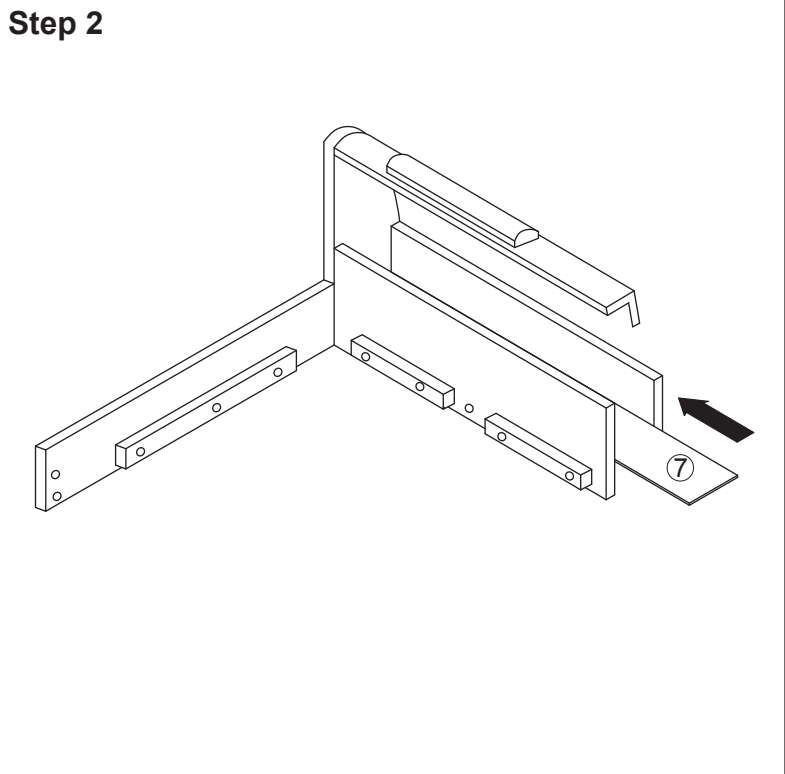

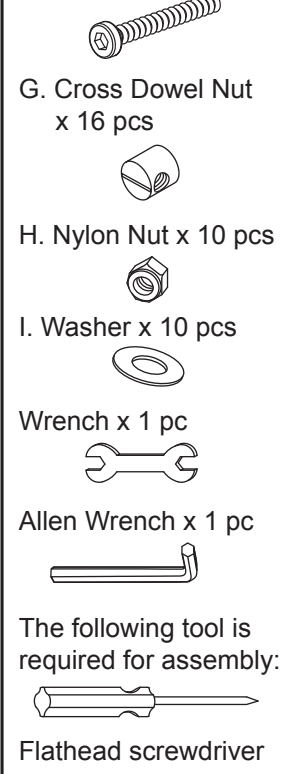

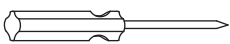



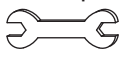

Failure to follow these warnings and the assembly instructions could result in serious injury or death from entrapment or strangulation.

**DO NOT** place bed near windows where cords from blinds or drapes may strangle child.

Item # 76021

The mattress intended for use on the bed shall be a full-size crib mattress having minimum dimensions of 51.625" (1310mm) in length and 27.25" (690mm) in width and 4" (100mm) in thickness.

**DO NOT USE FOR INFANTS.** The toddler bed is intended for a child over 15 months old and less than 50 lbs. (22.7kg)

HARDWARE	PARTS LIST		
A. Cross Dowel Bolt x 16 pcs 			
B. Cross Dowel Bolt x 2 pcs 			
C. Cross Dowel Bolt x 8 pcs 	<h3 data-bbox="1342 1098 1445 1139">Step 1</h3> 		
D. Cross Dowel Bolt x 4 pcs 	<h3 data-bbox="2256 1098 2358 1139">Step 2</h3> 		
E. Cross Dowel Bolt x 2 pcs 			
F. Cross Dowel Bolt x 8 pcs 	<p data-bbox="111 1683 379 1743">The following tool is required for assembly:</p>  <p data-bbox="111 1794 379 1834">Flathead screwdriver</p>		
G. Cross Dowel Nut x 16 pcs 			
H. Nylon Nut x 10 pcs 			
I. Washer x 10 pcs 			
Wrench x 1 pc 			
Allen Wrench x 1 pc 			

**CAUTION:** Adult assembly required. Hardware contains small screws with sharp points. Keep unassembled parts out of the reach of small children.

**Customer Service 1-800-933-0771**



**WARNING: CHOKING HAZARD**  
Unassembled parts may be a choking hazard to children 3 years and younger.



# Firefighter Toddler Cot

## Assembly Instructions

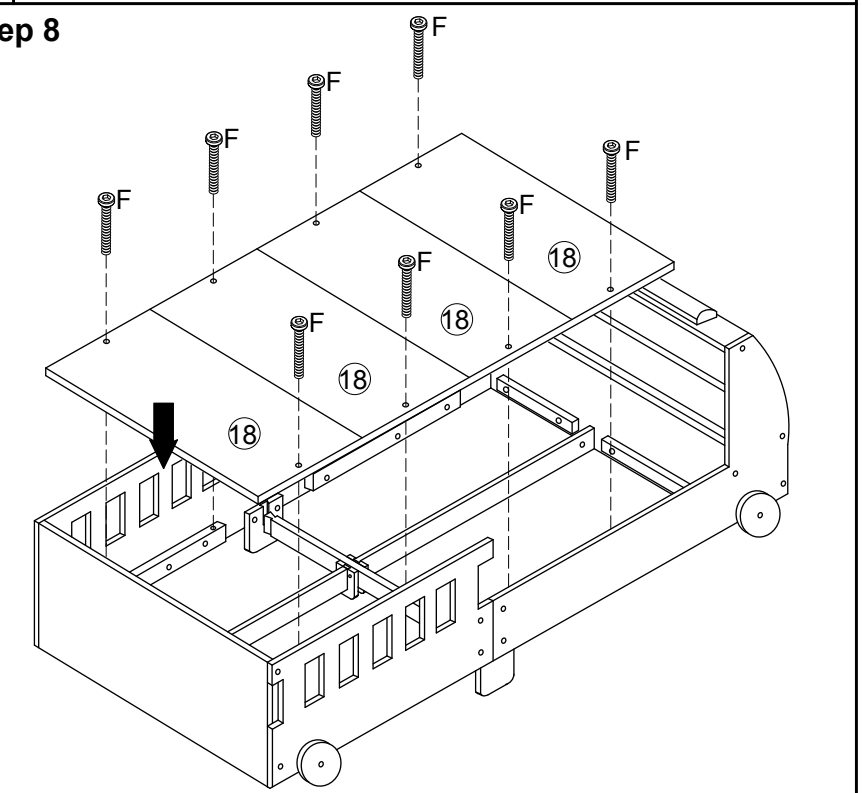
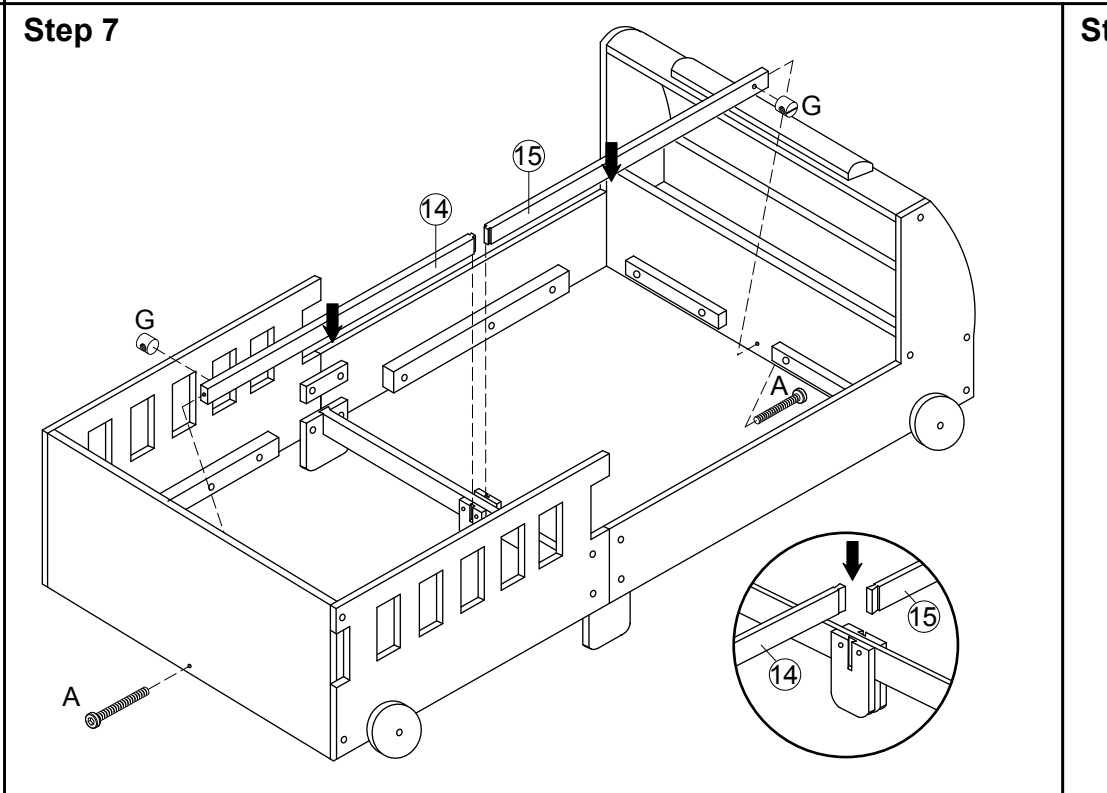
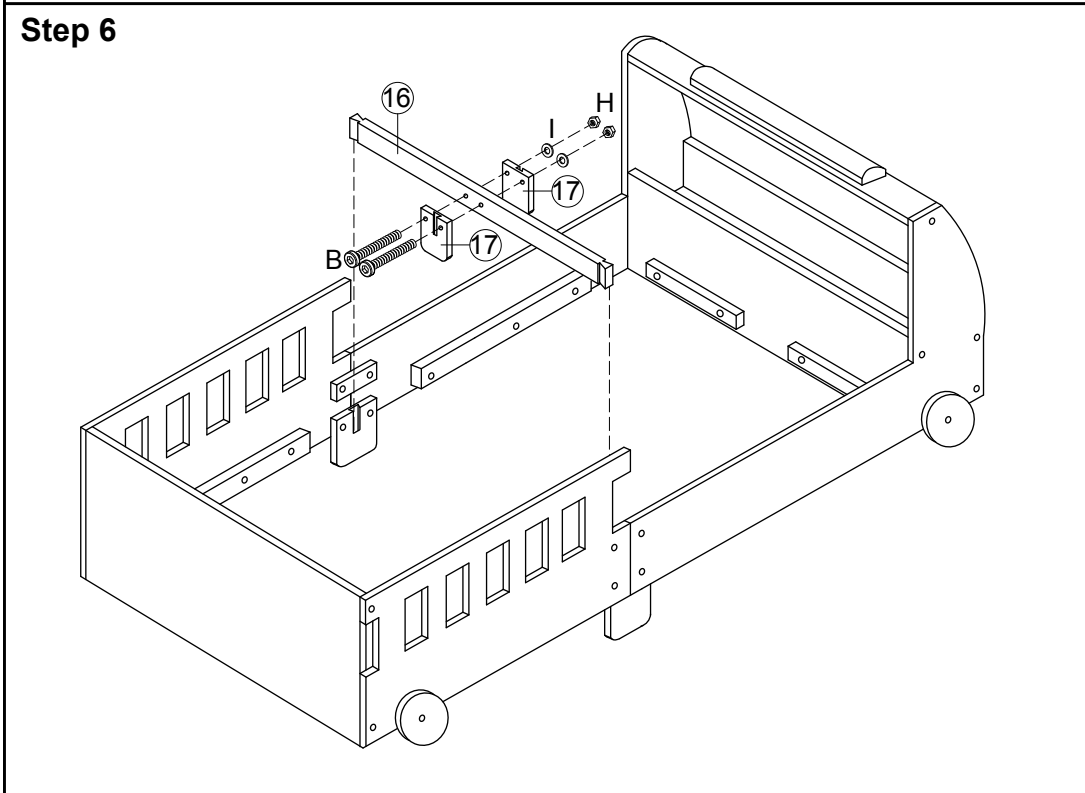
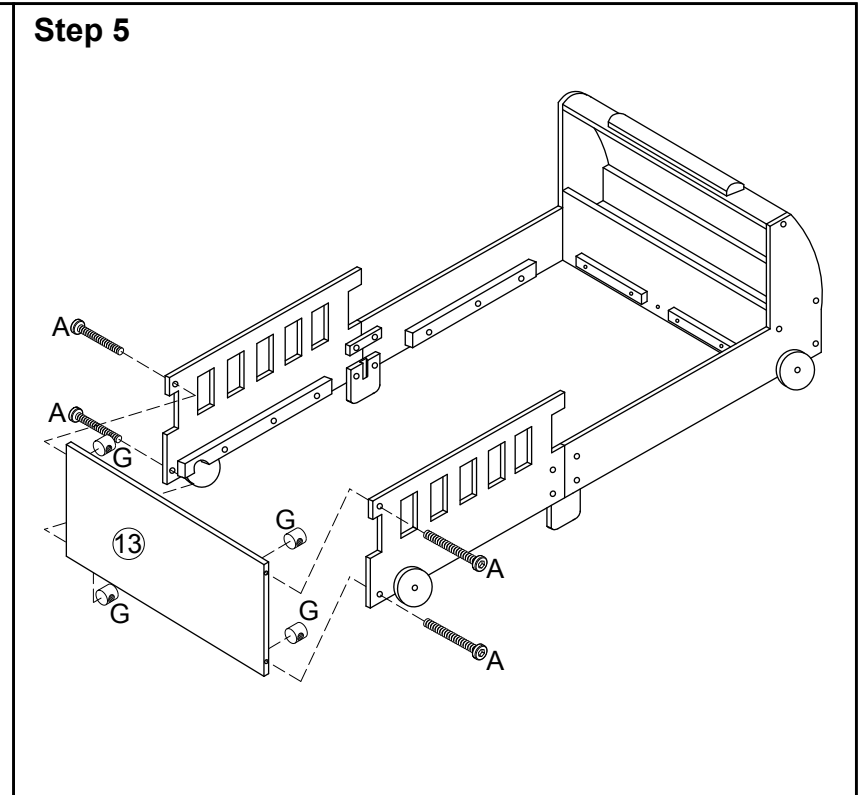
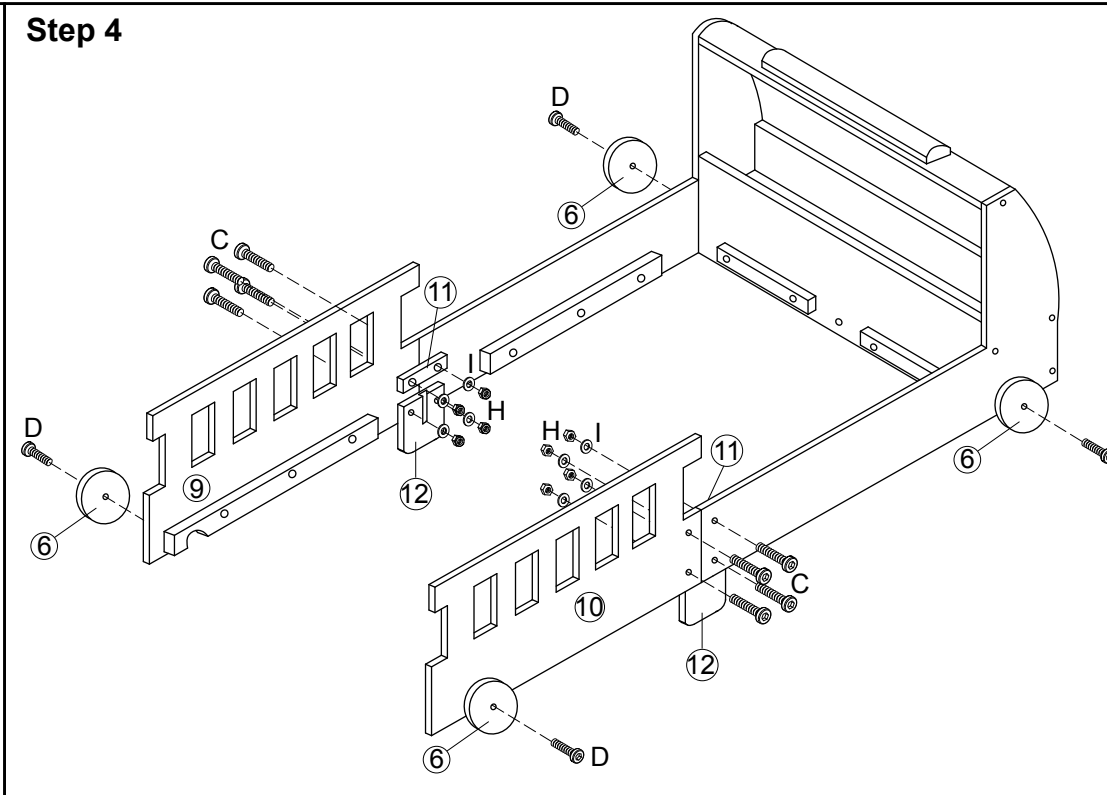
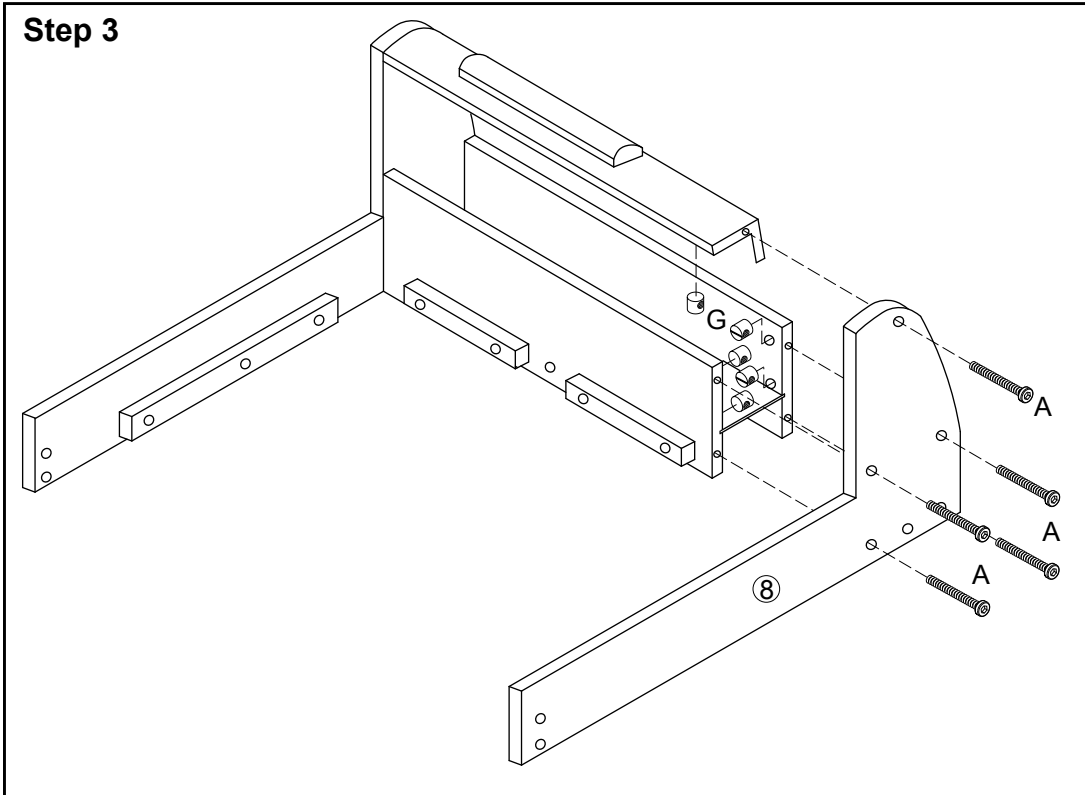
Failure to follow these warnings and the assembly instructions could result in serious injury or death from entrapment or strangulation.

Item # 76021

DO NOT place bed near windows where cords from blinds or drapes may strangle child.

The mattress intended for use on the bed shall be a full-size crib mattress having minimum dimensions of 51.625" (1310mm) in length and 27.25" (690mm) in width and 4" (100mm) in thickness.

DO NOT USE FOR INFANTS. The toddler bed is intended for a child over 15 months old and less than 50 lbs. (22.7kg)



**CAUTION:** Adult assembly required. Hardware contains small screws with sharp points. Keep unassembled parts out of the reach of small children.

**Customer Service 1-800-933-0771**



**WARNING: CHOKING HAZARD**  
Unassembled parts may be a choking hazard to children 3 years and younger.



## IMPORTANT INFORMATION-PLEASE READ FIRST

ALL OF OUR WOODEN ITEMS ARE HANDCRAFTED, HAND ASSEMBLED, AND HAND PAINTED. EACH ONE IS UNIQUE. SLIGHT IMPERFECTIONS MAY OCCUR AND ARE NOT MANUFACTURING DEFECTS. EACH ITEM HAS BEEN PAINTED WITH A VERY DURABLE PAINT THAT IS BOTH LEAD AND CHROMATE FREE AND SAFE FOR CHILDREN.

PLEASE NOTE THAT WE DO NOT WARRANTY AGAINST THE USE OF PERMANENT MARKERS, NON-WATER-BASED PAINTS, CRAYONS, OR WASHABLE MARKERS. SOME OF THESE ITEMS CONTAIN PERMANENT COLOR DYES THAT COULD DAMAGE THE SURFACE

## CLEANING INSTRUCTIONS

CLEAN THE SURFACE USING A SLIGHTLY DAMP CLOTH AND MILD DISHWASHING LIQUID IF NECESSARY. DO NOT USE ANY CLEANING PRODUCT CONTAINING ALCOHOL OR AMMONIA. THESE WILL DULL THE SHINY SURFACE OF THE PRODUCT. FURNITURE POLISH WILL ALSO WORK TO CLEAN AND DUST OFF THE SURFACE.

WE RECOMMEND THAT YOU TEST ALL CLEANING MATERIALS ON THE UNDERSIDE OF ANY SURFACE THAT WOULD NOT BE SEEN DURING NORMAL USE OF THE PRODUCT. IF YOU HAVE QUESTIONS REGARDING THE MAINTENANCE OF THIS PRODUCT PLEASE FEEL FREE TO CALL US.

## WARRANTY

**IMPORTANT:** EVIDENCE OF ORIGINAL PURCHASE IS REQUIRED FOR WARRANTY SERVICE.

**LENGTH OF WARRANTY:** 90 DAYS FROM DATE OF PURCHASE.

THIS WARRANTY COVERS DEFECTS THAT WERE A RESULT OF THE MANUFACTURERS PRODUCTION. YOU SHOULD CAREFULLY INSPECT THE CONDITION OF THE PRODUCT PRIOR TO ASSEMBLY. THIS WARRANTY IS INVALID IF THE PRODUCT IS DAMAGED OR NOT MAINTAINED AS REASONABLE OR NECESSARY.

**PROCEDURE FOR OBTAINING WARRANTY SERVICES:**

PLEASE CONTACT OUR CUSTOMER SERVICE REPRESENTATIVES AT 1-800-933-0771. THEY WILL INSTRUCT YOU HOW TO SEND THE PRODUCT AND PROOF OF PURCHASE FREIGHT PREPAID TO OUR ATTENTION.

1-800-933-0771