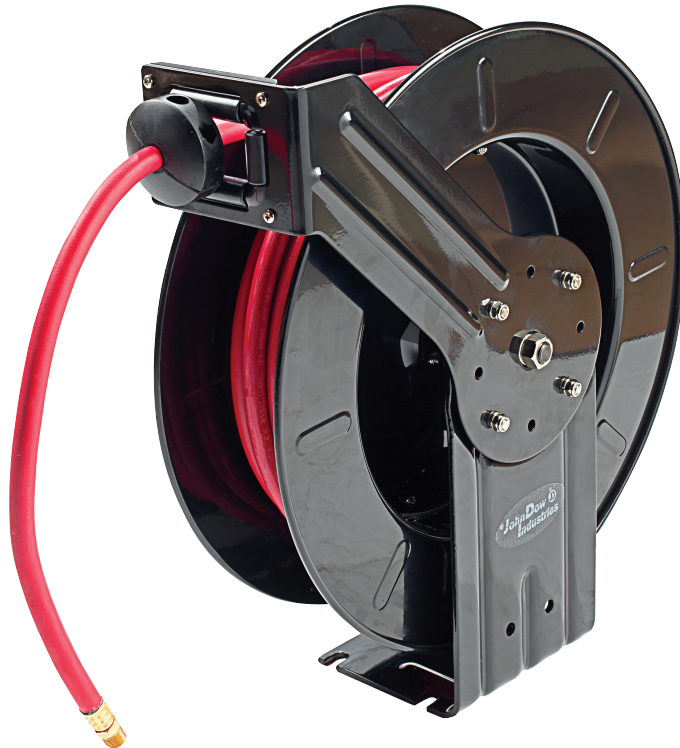




Professional Series Hose Reels

Models JD-3850, JDM-1250 and JDH-1450
Owner's Manual



151 Snyder Ave.
Barberton, OH 44203

www.johndow.com
customerservice@johndow.com

REV 5/11/2018

Specifications:

Automatic rewind.

Lock to maintain the desired hose length.

Please read the following cautions and instructions before using your new hose reel. Failure to comply with these instructions could result in personal injury or property damage. Keep these instructions in a convenient location for future reference.

Safety Information:

1. **DO NOT** exceed maximum operating pressure for your model hose reel.
2. Use proper eye protection when assembling and using the hose reel.
3. Use soap and water when checking for leaks.

WARNING: Exposure of skin directly to pressurized air or fluid could result in severe bodily injury.

Installation of Reel:

- For overhead ceiling mounting: Install reels at least 10 feet above the floor.
 - Depending on your model hose reel you may need to purchase and attach hose.
 - Refer to Specifications on box to determine appropriate hose size and length.
 - Mounting hardware may **NOT** be included depending on reel selection.
1. Hose reel is mounted by four 1/2" (or 12.7mm) holes for mounting to a suitable surface. Figure 2 is a template showing the correct location of the 4 mounting holes in the base.
 2. The reel is supplied with a hose guide roller bracket. The bracket position may be changed depending on the reel mounting position. Figure 2 shows "Typical Mounting Positions". If bracket position needs to be changed, perform the following steps:
 - (1) Pull out short length of hose and latch reel.
 - (2) Remove the bolts that attach the guide roller bracket to the support post.
 - (3) Rotate guide roller bracket to correct position, replace bolts and tighten.
 3. Using the four holes in the base, mount the reel in the desired location. Be sure to use appropriate hardware and tighten securely.
 4. Apply Teflon tape or pipe sealant to supply line threads, attach to reel inlet and tighten. The other end of incoming line can now be connected to desired supply source.
 5. If hose has been supplied with reel: Apply Teflon tape or pipe sealant to outlet fitting on reel hose, then attach desired tool or nozzle. Check connection for leakage, also check hose reel for correct operation. (Details see Operation section.)
 6. If hose stopper adjustment is required, pull hose from reel and allow to latch at desired length. Loosen stopper bolts and slide stop to a position close to the hose guide. Tighten stopper bolts and unlatch the reel.

Installation of Hose:

1. Securely stabilize the reel.
2. Facing the swivel fitting side of reel: Turn the drum clockwise, by hand, until the rewind spring is tight and drum has latched. As an extra precaution while installing new hose, secure drum in the latched position.
3. Insert end of hose through guide roller bracket and feed through the opening in the drum flange.
4. Use Teflon tape or pipe sealant on hose fitting threads, screw fitting into swivel and tighten.
5. Attach hose stop on the other end of the hose, near the outlet fitting.
6. Carefully release drum latch and slowly allow hose to wind onto the reel.

NOTE: To avoid damage to the swivel, use a wrench to support the swivel fitting while tightening the hose.

Note: Final spring tension adjustment is accomplished by adding wraps of hose around the drum (to increase tension) or taking off wraps of hose (to decrease tension). Refer to: Adjustment of Spring Tension.

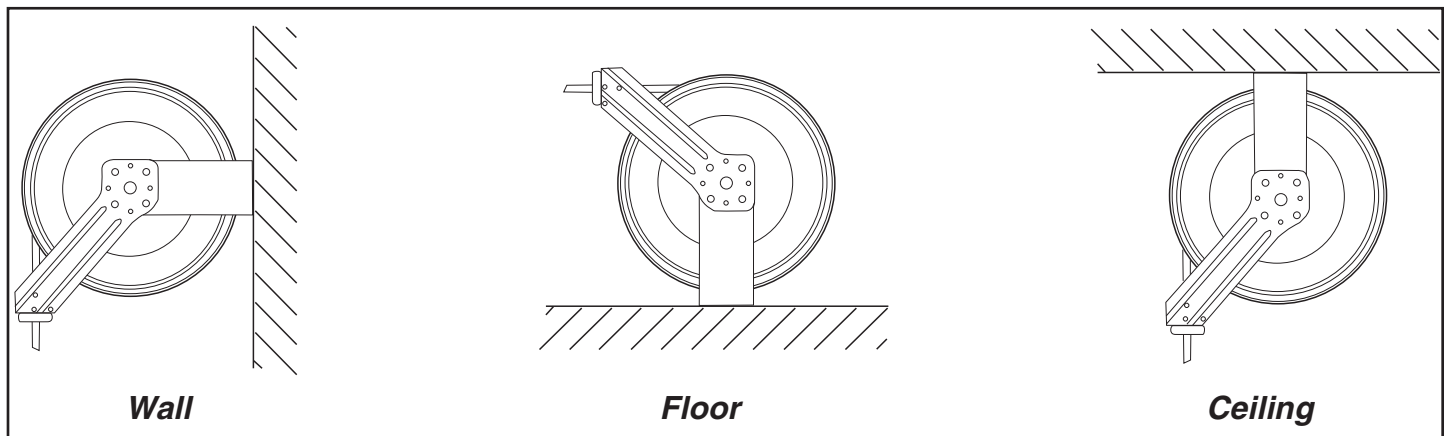


Fig. 2

Operation:

1. Check reel for correct operation by slowly pulling out the hose. A “**CLICKING**” noise will be heard every half revolution of the drum.
2. To latch the reel, pull out the hose and allow it to retract after hearing the first, second or third “**CLICK**”.
3. To unlatch, slowly pull out the hose until the “**CLICKING**” noise stops, then let the hose retract until the hose stop rests against the hose guide.

NOTE: To avoid damage to the reel, always hold on to the hose while it is rewinding.

4. Periodically check the hose condition for wear or damage and check the swivel fitting for leakage. Replace any worn, damaged or leaking parts

Adjustment of Spring Tension:

1. Pull out approximately 6' or 2m of hose and allow the drum to latch.
2. Remove hose stop from hose and feed hose back through guide.
3. Wrap the pulled hose one time around the drum to increase tension or unwrap hose one time from drum to decrease tension.
4. Reinsert hose through guide and install stopper onto hose end.
5. Unlatch the drum and check tension. Pull hose from reel and adjust stop position if necessary.

Replacement of Swivel Seal:

1. Turn **OFF** and disconnect supply line from swivel inlet.
2. Remove swivel assembly from reel axle.
3. Remove clip from swivel and take apart. NOTE: You may want to remove swivel from reel hose end, but this is **NOT** necessary unless a new swivel is being installed.
4. Replace the seals and reassemble swivel.
5. Use Teflon tape or thread sealant on swivel thread fitting, reconnect the swivel thread fitting with axle.
6. Reconnect inlet supply line.

Replacement of Hose:

1. Turn **OFF** supply to reel.
2. Pull out all the old hose and lock the reel in this position.

CAUTION: Make sure reel drum is securely locked and cannot rotate back.

3. Remove two hose clamps from hose.
4. Carefully disconnect hose from swivel joint on side of reel or male fitting in axle center and remove old hose.
5. Feed new hose through guide and opening in drum and connect to swivel. Reinstall two hose clamps on inside and outside of drum flange. Install stopper on other end of hose in the same position as before.
6. Carefully release the drum latch and slowly allow the hose to wind onto the reel.

NOTE: Final spring adjustment is accomplished by adding or removing wraps of hose around the drum. (Details see Spring Tension Adjustment)

Spring Canister Warning:

If the rewind spring fails for any reason: For safety reasons, the manufacturer strongly recommends the replacement of the spring canister be carried out by a professional mechanic.

Limited Warranty:

1. The manufacturer warrants this hose reel against defects in material and craftsmanship, for a period of 12 months from date of purchase.
2. Hose, if supplied with reel, O-rings, plastic rollers and rubber stopper are deemed to be normal wear items; **NOT WARRANTED.**
3. Manufacturer's liability is limited to replacement or repair of defective material within the warranty period, when returned freight prepaid to the distributor or their designated service depot.
4. The warranty **DOES NOT** cover damage caused by accident, misuse or faulty installation.
5. The reel must be installed and maintained in compliance with the instructions.

For Service Assistance
Phone Toll Free 1-800-433-0708
www.johndow.com