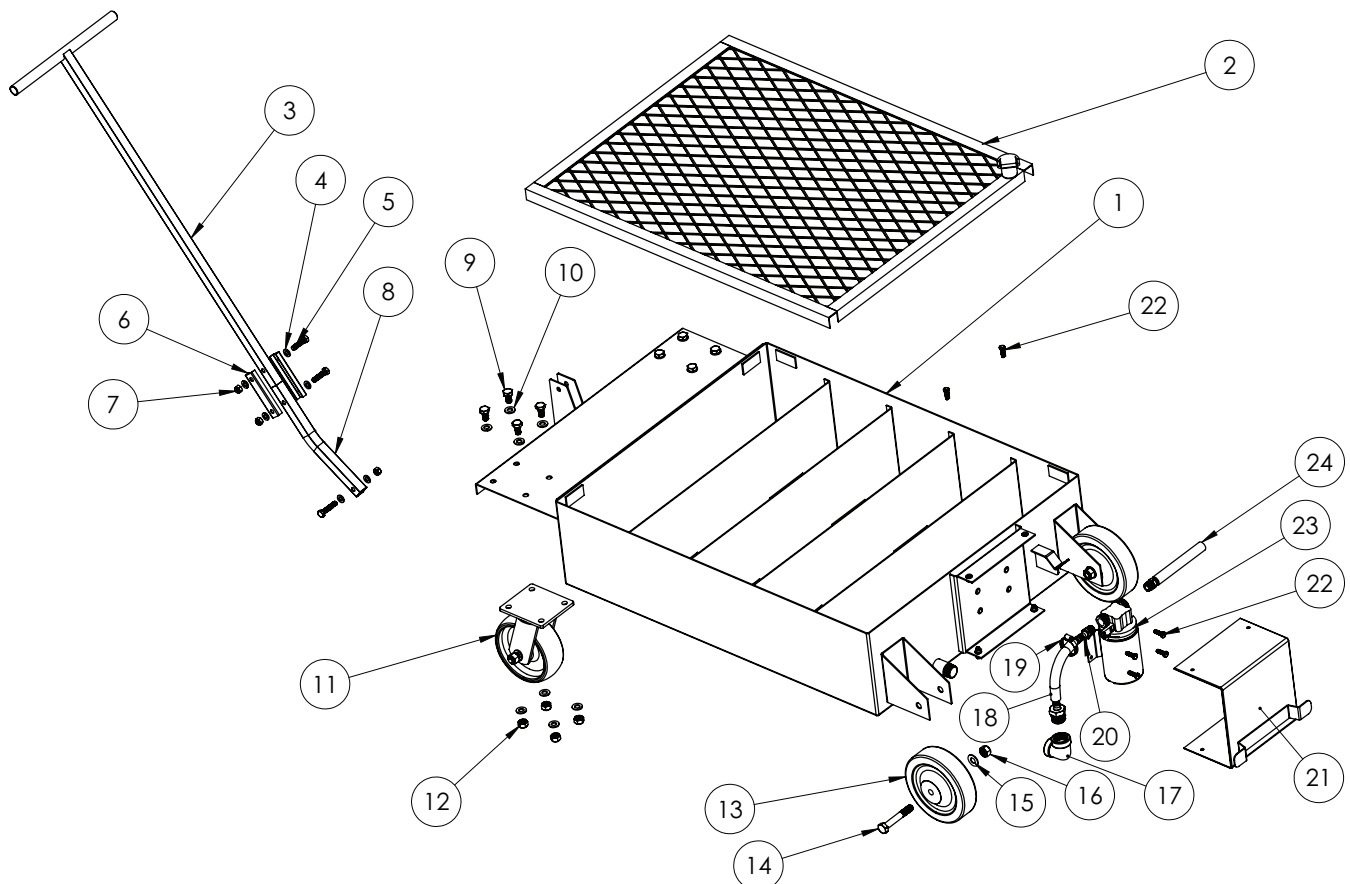


**JohnDow Industries**  
**25-Gallon Low-Profile Oil Drain**  
**JDI-LP5**

**Contents:**

Item No.	Description	Qty.	Item No.	Description	Qty.	Item No.	Description	Qty.
1	Tank	1	12	M10 Nylon - Insert Locknut	8	21	Pump Cover	1
2	Screen	1	13	6" Wheel	2	22	M6 Hex Head Cap Screw	8
3	Handle - Top	1	14	M12 Hex Head Cap Screw	2	23	120V Electric Pump	1
4	M8 Flat Washer	4	15	M12 Flat Washer	2	24	1/2" x 6-1/2" Outlet Hose with 3/8" and 1/2" NPT Fitting	1
5	M8 Hex Head Cap Screw	2	16	M12 Nylon - Insert Locknut	2	25	1/2" NPT Female Quick Connector	1
6	Handle Brace	2	17	3/4" NPT Elbow	1	26	1/2" NPT Male Quick Connector	1
7	M8 Nylon - Insert Locknut	2	18	1/2" x 5-1/2" Hose with 3/4" Fitting	1	27	1/2" x 10' Evacuation Hose	1
8	Handle Bottom	1	19	1" Hose Clamp	1			
9	M10 Hex Head Cap Screw	8	20	1/2" x 3/8" NPT Hose Barb Fitting	1			
10	M10 Flat Washer	16						
11	Front Swivel Caster	2						



Please Contact Customer Service for Additional Assistance: Toll-Free: 800-433-0708 or Email: [customerservice@johndow.com](mailto:customerservice@johndow.com)