

INSTALLATION INSTRUCTIONS FOR GABLE MOUNTED VENTILATORS

Models: VX2500, CX2500, VX2516, CX1600, VX2515, CX1500

Read all warnings and instructions before beginning to install this fan.

FAILURE TO FOLLOW THESE INSTRUCTIONS COULD RESULT IN INJURY OR EVEN DEATH

1. Do not attempt to use this fan with any solid-state speed control device.
2. Use this unit only in the manner intended by the manufacturer. If you have any questions, contact the manufacturer.
3. Before servicing or cleaning this unit, switch power off at the service panel and lock out to prevent power from being switched on accidentally. When service disconnecting means cannot be locked, securely fasten a prominent warning tag to the service panel.
4. Installation work and electrical wiring must be performed by a qualified person in accordance with all applicable codes and standards, including fire-rated construction.
5. When cutting or drilling into a wall or ceiling, do not damage electrical wiring and other hidden utilities.
6. The combustion airflow needed for safe operation of fuel-burning equipment may be affected by this unit's operation. Follow the heating equipment manufacturer's guideline and safety standards such as those published by the National Fire and Protection Association (NFPA), and the American Society for Heating, Refrigeration and Air-conditioning Engineers (ASHRAE), and the local code authorities.

CAUTION

1. **This unit has an unguarded propeller. Do not use in locations readily accessible to people or animals.**
2. **Mount with the lowest moving parts at least 8 feet above floor level.**
3. **For general ventilating use only. Do not use to exhaust hazardous or explosive materials and vapors.**
4. **Carbon monoxide is an odorless, colorless gas that can kill. It may be drawn into the house by operating this fan if your fuel-burning equipment is not properly maintained, or if you lack adequate attic intake vents.**

VENTAMATIC, LTD.
P.O. Box 728, MINERAL WELLS, TX 76068
PHONE: (800) 433-1626 - FAX: (940) 325-9311 - www.MYMAXXAIR.com

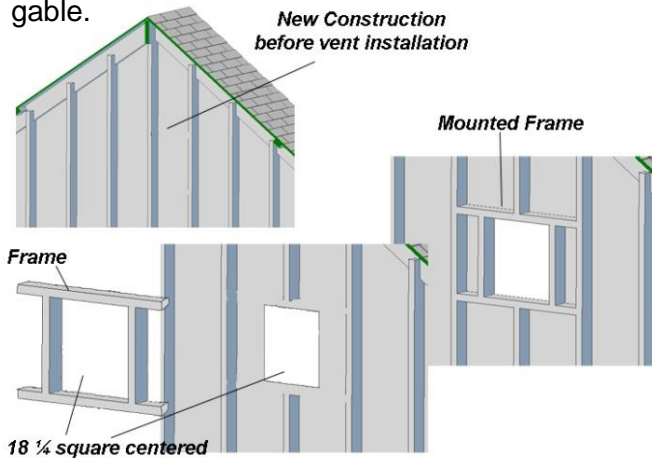
INSTALLATION INSTRUCTIONS

THIS GABLE-MOUNTED UNIT IS DESIGNED FOR ATTICS OF AVERAGE SIZE AND OPERATES MOST EFFICIENTLY WHEN AIR INTAKES ARE LOCATED AROUND THE EAVES. ALTERNATIVELY, AIR INTAKE MAY BE FROM OPPOSING GABLE VENTS, BUT NEVER FROM ROOF OR RIDGE VENTS. AT LEAST 600 SQ. IN OF NET FREE AIR INTAKE IS REQUIRED PER UNIT FOR SAFE AND EFFICIENT OPERATION. THE MOTOR OPERATES ON 120 V, 60 HZ, A.C. CURRENT. SEE MOTOR LABEL FOR AMPERAGE.

THIS UNIT MAY BE MOUNTED BEHIND ANY STATIC WALL VENT, OR MODELS VX1818 OR CX2121 AUTOMATIC SHUTTERS.

Step 1

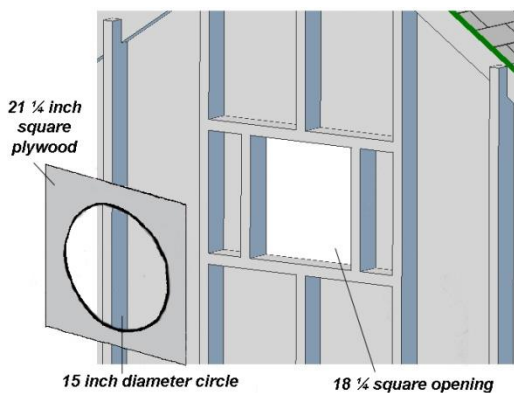
For new installation or installation behind existing louvers, using 2 x 4 studs, frame an opening at least 18 ¼-in square (depending on stud spacing) on center, on the attic side of the gable.



Step 2

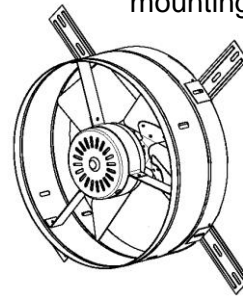
Cover the opening with a square piece of plywood, paneling, or sheetrock, at least 21 ¼-in square (depending on stud spacing). Cut a 15-in diameter hole in the center of this panel, to allow the shroud of the fan to enter the hole.

It is important to block off any remaining open vent area in the gable.



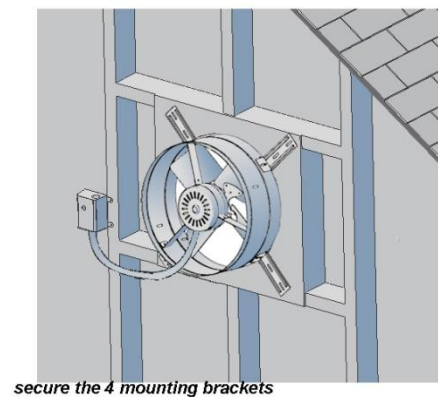
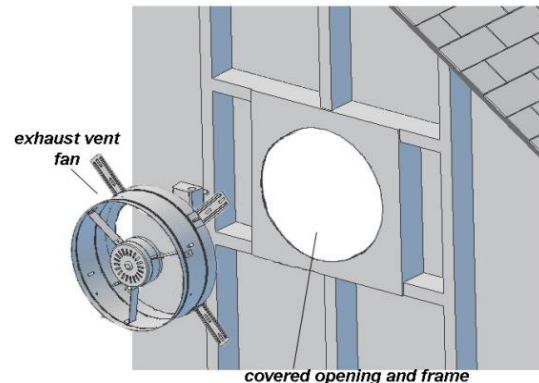
Step 3

With the nuts and bolts furnished, secure the 4 mounting brackets to the shroud and then fasten the unit to the frame.



Mounting the long side of the L brackets with the long side to the shroud may better fit your installation and also help reduce vibration. Seal off any gaps around the fan, in

order for the fan to function at maximum efficiency.

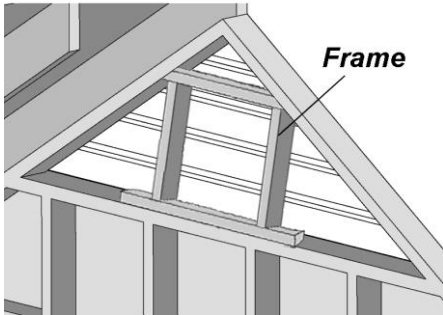


TIP: MUCH OF THE PREPARATION, WIRING OF THERMOSTAT, TESTING, AND MOUNTING TO THE FRAME CAN BE DONE BEFORE FINAL INSTALLATION IN THE ATTIC.

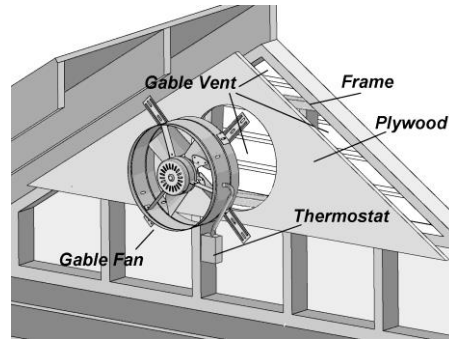
FOR INSTALLATION BEHIND TRIANGULAR GABLE VENTS

For installation on triangular gable vents, refer to steps 1-3 on the opposite page and the following illustrations for references.

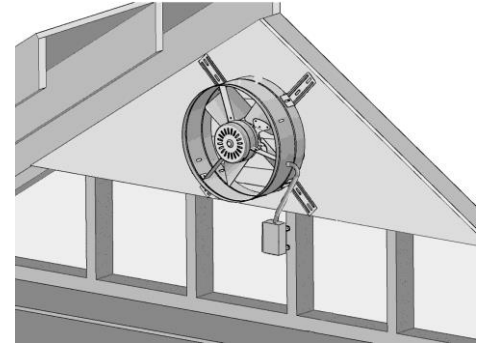
Step 1



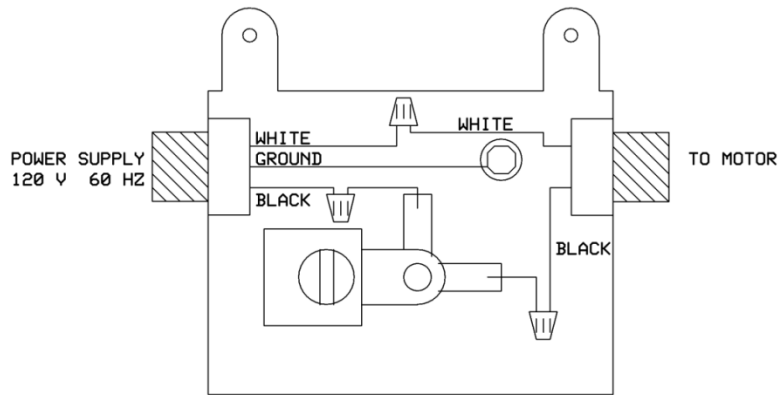
Step 2



Step 3



THERMOSTAT INSTALLATION



WARNING

- Before wiring the thermostat, turn the power off at the breaker to avoid electrocution.
- Be certain to confirm to all Local Electric Codes and Regulations.
- Remove the cover from the thermostat box and use screws to attach the mounting plate to a stud.
- When installing the thermostat box, use screws to attach it to the stud to prevent damage to the control.
- Leave the back side of the control unobstructed to allow free air circulation behind the box.
- Wire the unit to the incoming power supply according to the diagram below.
- The thermostat is adjustable. Recommended setting is 90-110 degrees F depending on local temperatures.
- The fan will run as long as the attic temperature remains above the set temperature.

VENTAMATIC, LTD.
LIMITED WARRANTY

This warranty is underwritten by Falco Insurance Company and is extended to the original retail purchaser of this model or, if this unit is purchased and requires installation by a building contractor, to the original owner of the home. No subsequent purchaser of the unit or of a home in which it is installed is entitled to any of the benefits of this warranty.

This product is warranted against defects in materials and workmanship for the time period listed by model number below. This warranty applies from the date of original retail purchase. No other parts or components are warranted. There is no warranty for defects caused by abuse, faulty installation, or the like.

VX2500	LIMITED LIFETIME	CX2500	LIMITED LIFETIME
VX2516	LIMITED 2 YEAR	CX1600	LIMITED 2 YEAR
VX2515	LIMITED 2 YEAR	CX1500	LIMITED 2 YEAR

Repairs or replacement parts supplied under this warranty are warranted only for the period of this warranty; that is, stated above by model number from the date of the original retail purchase of the unit.

In the event of a defect or malfunction, we will replace or repair the defective part or component only and return the new or repaired part to you freight prepaid.

You must bear all other expenses incurred in obtaining repairs, including labor required for field repair or replacement, and the cost of shipping the defective part to us. You must also bear the cost of repair to or replacement of any part or component and the shipping charges incurred for the repair or replacement and return to you of any part or component not covered by this warranty, including parts or components damaged by you.

The company reserves the right to demand and receive written evidence of the date of purchase before undertaking its obligations under this warranty. The right to demand and receive written evidence of date of purchase extends to all licensed dealers of Ventamatic, Ltd. products.

You should, therefore, retain your sales slip and attach a copy of it to the warranty claim.

To start a warranty claim you must:

Contact Ventamatic, Ltd.

An RGA (Returned Goods Authorization) form is required for returns to the factory to ensure your return can be processed efficiently and quickly. Please contact Ventamatic, Ltd. toll-free at 800-433-1626 or via web at www.MYMAXXAIR.com to obtain an RGA and follow the instructions given.

There is no informal dispute settling mechanism available in the event of a controversy involving this warranty.

Any and all implied warranties which may exist terminate upon the expiration of this warranty. Some states do not allow limitations on how long an implied warranty lasts, so this limitation may not apply to you.

Ventamatic, Ltd. is not liable to you for incidental or consequential damages arising out of defect or malfunction of a unit or its installation or out of any alleged breach of this warranty. Some states do not allow the exclusion or limitation of incidental or consequential damages, so this limitation may not apply to you.

This warranty gives you specific legal rights and you may also have other rights which may vary from state to state.