

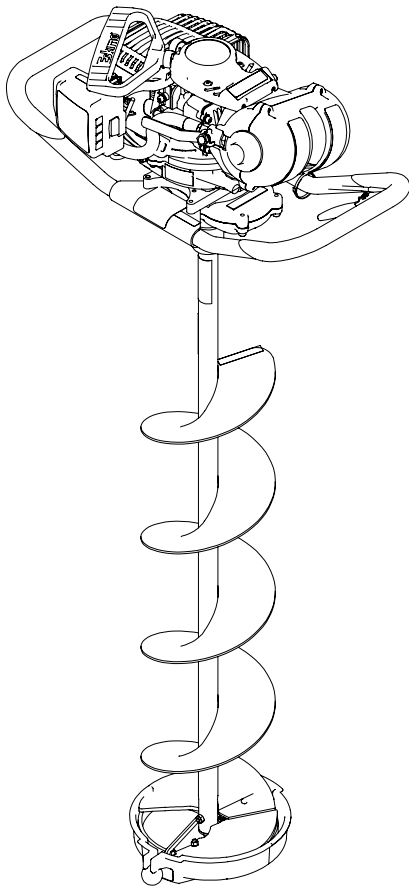


Operator's Manual

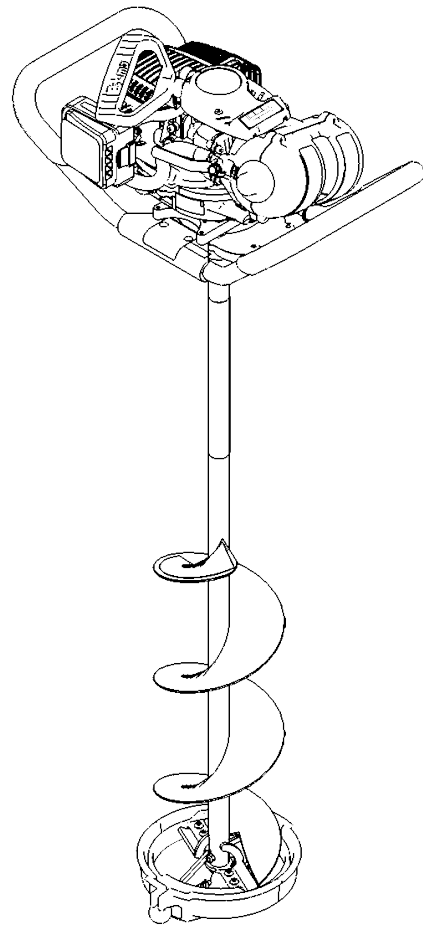
**HC40Q8  
HC40Q10  
P1R08  
P1R10**

High Compression Propane  
Powered Ice Auger

FRANÇAIS ENGLISH



**HC40Q8 / HC40Q10**



**P1R08 / P1R10**

**PROPANE POWERED ICE AUGER**

Get parts online at  
[www.GetEskimo.com](http://www.GetEskimo.com)



19741  
ECN # 12262  
REV4: 04/09/2019  
©Copyright 2019 Ardisam, Inc.  
All Rights Reserved.

**INTRODUCTION**

Thank you for purchasing an Eskimo® Propane Powered Ice Auger from Ardisam, Inc. We have worked to ensure that this ice auger meets high standards for usability and durability. With proper care, your ice auger will provide you many years of service. Please take the time to read this manual carefully to learn how to correctly operate and maintain your ice auger. Congratulations on your investment in quality. Save these instructions for future reference. Ardisam, Inc reserves the right to change or alter this manual without notice.

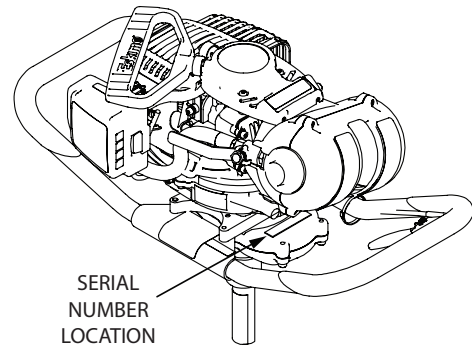
Registration and Service ..... 2  
 Warnings and Safety Precautions..... 3-4  
 Engine Safety Precautions..... 4-5  
 Pre-Operation ..... 6  
 Operation ..... 6  
 Maintenance and Storage..... 6-9  
 Service, Troubleshooting, and Repair ..... 10-11  
 Product Warranty ..... 12  
 Engine Warranty ..... 13  
 Federal Emission Control Warranty Statement..... 14-15

**Federal Emission Information**

Eskimo warrants to the retail purchaser, that this Small Off-Road Engine (S.O.R.E.) was designed, built and equipped to conform at the time of initial sale to all applicable regulations of the U.S. Environmental Protection Agency (EPA) and those of the State of California (CARB).

**Registration and Service**

Record the product model number and serial number in the space provided for easy reference when ordering parts or requesting technical support. Excluding emissions-related warranty items, the warranty is valid only if the completed registration is received by Viper within 30 days of purchase. (SEE WARRANTY SECTION FOR MORE INFORMATION.) You can register your warranty online by visiting [www.ardisam.com](http://www.ardisam.com), or by mailing it to: Ardisam, Inc., 1160 Eighth Avenue, Cumberland, WI 54829. For service questions, call our customer service department at (800) 345-6007 Mondays through Fridays from 8 a.m. to 5 p.m. CDT.



OWNERSHIP RECORDS		
Place of Purchase:		
Place of Purchase Address:		
City:	State/Province:	Zip Code/Postal Code:
Model Number:		Serial Number (found next to warning tag):
Date of Purchase:		
Notes:		

**This manual may contain information for several models. Read and keep this manual for future reference. This manual contains important information on SAFETY, ASSEMBLY, OPERATION, AND MAINTENANCE. The owner must be certain that all the product information is included with the unit. This information includes the MANUAL, the REPLACEMENT PARTS and the WARRANTIES. This information must be included to make sure state laws and other laws are followed. This manual should remain with the unit even if it is resold.**

**WARNINGS AND SAFETY PRECAUTIONS**

**Operator's RESPONSIBILITY**

Accurate, safe and effective use of this unit is the operator's responsibility.

- Read and follow all safety instructions.
- Carefully follow all assembly instructions.
- Maintain the unit according to directions and schedule included in this Eskimo operator's manual.
- Ensure that anyone who uses the unit is familiar with and understands all controls and safety precautions.

**Safety Messages**

Your manual contains special messages to bring attention to potential safety concerns, engine damage as well as helpful operating and servicing information. Please read all the information carefully to avoid injury and damage to the unit.

**NOTE:** *General information is given throughout the manual that may help the operator in the operation or service of the unit.*



This symbol points out important safety instructions which if not followed could endanger your personal safety.

**Before Operating:**

**! WARNING**

**READ ENTIRE OPERATING AND MAINTENANCE INSTRUCTIONS FOR THIS PRODUCT AND THE INSTRUCTIONS FOR THE EQUIPMENT THIS ENGINE POWERS. FAILURE TO FOLLOW INSTRUCTIONS COULD RESULT IN SERIOUS INJURY OR DEATH. OPERATE THE ENGINE ACCORDING TO THE SAFETY INSTRUCTIONS OUTLINED HERE AND INSERTED THROUGHOUT THE TEXT. ANYONE WHO USES THIS UNIT MUST READ THE INSTRUCTIONS AND BE FAMILIAR WITH THE CONTROLS.**

**CALIFORNIA PROPOSITION 65 WARNING**

**ENGINE EXHAUST FROM THIS PRODUCT CONTAINS CHEMICALS KNOWN TO THE STATE OF CALIFORNIA TO CAUSE CANCER, BIRTH DEFECTS, OR OTHER REPRODUCTIVE HARM.**

**FAILURE TO COMPLY WITH ALL SAFETY AND OPERATING INSTRUCTIONS CAN RESULT IN LOSS OF ENGINE CONTROL, SERIOUS PERSONAL INJURY TO YOU AND/OR BYSTANDERS, AND RISK OF EQUIPMENT AND PROPERTY DAMAGE.**

**! WARNING**

**WARNING INDICATES A HAZARD WHICH, IF NOT AVOIDED, COULD RESULT IN DEATH OR SERIOUS INJURY TO PERSONNEL AND/OR PROPERTY DAMAGE.**

**! CAUTION**

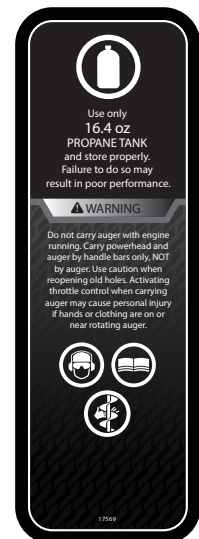
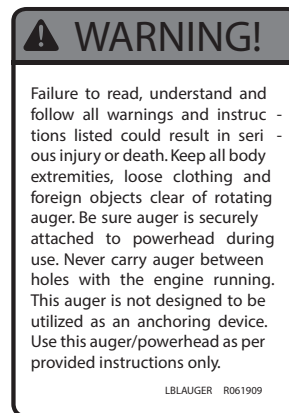
**CAUTION INDICATES YOUR EQUIPMENT CAN BE DAMAGED IF THE SAFETY INSTRUCTIONS THAT FOLLOW THIS SIGNAL WORD ARE NOT OBEYED.**

**! IMPORTANT**

**INDICATES HELPFUL INFORMATION FOR PROPER ASSEMBLY, OPERATION, OR MAINTENANCE OF YOUR EQUIPMENT.**

**Safety Decals:**

Below are three warning decals attached to the auger. It is important to read all safety precautions and locate the warning labels before using this product.



**IMPORTANT SAFETY PRECAUTIONS:**

- Use the correct personal protection equipment. The HC40/P1 Ice Auger produces noise that can be harmful to hearing. Use hearing protection when operating.
- Always keep hands, feet, hair and loose clothing away from any moving parts on engine and auger.
- The ice blades are very sharp. Use extreme caution when drilling a hole or replacing the blades. Put blade guard on after each use.
- Do not carry the unit between holes with the engine running.
- The auger should not rotate when the engine is idling. If it does rotate when engine is idling, contact an Eskimo-authorized service center for instructions.
- Do not allow children to operate this unit! Do not allow adults to operate the unit without proper instruction.
- Do not operate any power equipment under the influence of alcohol or drugs.
- Inspect the ice auger before each use. Keep all screws, nuts and bolts tight.
- Engine should be turned off and cool, spark plug wire must be removed from spark plug before any repairs are attempted.
- Temperature of muffler and nearby areas may exceed 150° F (65° C). Avoid these areas.
- Never run engine indoors or in an enclosed area. Engine exhaust contains carbon monoxide, an odorless and deadly gas.
- If the auger will not turn in a hole, turn engine off and allow to cool before attempting to remove it manually.

**WARNING**

- **ENGINES GIVE OFF CARBON MONOXIDE, AN ODORLESS, COLORLESS, POISONOUS GAS. CARBON MONOXIDE MAY BE PRESENT EVEN IF YOU DO NOT SMELL OR SEE ANY ENGINE EXHAUST. BREATHING CARBON MONOXIDE CAN CAUSE NAUSEA, FAINTING OR DEATH, IN ADDITION TO DROWSINESS, DIZZINESS AND CONFUSION.**
- **IF YOU EXPERIENCE ANY OF THESE SYMPTOMS, SEEK FRESH AIR AND MEDICAL ATTENTION IMMEDIATELY.**
- **START AND RUN ENGINE OUTDOORS. DO NOT START OR RUN ENGINE IN AN ENCLOSED AREA, EVEN IF DOORS OR WINDOWS ARE OPEN.**

**IMPORTANT**

**USING YOUR POWERHEAD AND/OR AUGER TO POWER OR OTHERWISE UTILIZE ANY PRODUCT OR DEVICE MANUFACTURED BY ANY ENTITY OR INDIVIDUAL OTHER THAN ARDISAM, INC. WILL VOID YOUR WARRANTY AND WAIVE ANY AND ALL CLAIMS FOR LIABILITY AGAINST ARDISAM, INC.**

**ENGINE SAFETY PRECAUTIONS****PREVENTING CARBON MONOXIDE POISONING**

- Never try to ventilate engine exhaust indoors. Carbon monoxide can reach dangerous levels very quickly.
- Never run engine outdoors where exhaust fumes may be pulled into a building.
- Never run engine outdoors in a poorly ventilated area where the exhaust fumes may be trapped and not easily taken away. (Examples include: in a large hole or areas that are covered by snow drifts.)
- Never run engine in an enclosed or partially enclosed area. (Examples include: buildings that are enclosed on one or more sides, inside shelters, garages or basements.)
- Always run the engine with the exhaust and muffler pointed in the direction away from the operator.
- Never point the exhaust muffler towards anyone. People should always be many feet away from the operation of the engine and its attachments.
- Do not change the engine governor settings or over-speed the engine. Stay away from rotating parts. Place protective covers over rotating parts.
- Do not use engine around dry brush, cloth rags, or other flammable materials.
- Always keep materials and debris clear of muffler guard and other hot engine parts.
- Never operate the engine without the muffler guard in place.
- Always make sure the exhaust pipe is free of foreign objects.
- The engine exhaust becomes very hot during operation. Keep engine at least three feet away from buildings and other equipment during operation.
- Wear appropriate clothing such as a long-sleeved shirt or jacket. Also wear long trousers or slacks. Do not wear open shoes, and never operate the machine with bare feet.
- Do not wear loose clothing or jewelry. They can get caught in moving parts. Always keep hands, feet, hair and loose clothing away from any moving parts on engine and machine.

**FIRES AND HANDLING FUEL SAFELY**

- When storing extra fuel cylinders, make sure it is not stored in direct sunlight or in an area that can exceed 120 degrees Fahrenheit (49 degrees Celsius). Excessive heat can cause the cylinder to explode.
- Always replace the fuel cylinder outside in a well ventilated area. Never replace fuel cylinder indoors. (Examples include: basement, garage, barn, shed, house, porch, etc.)
- Never remove the fuel cylinder with the engine running. Stop the engine and allow it to cool before replacing the fuel cylinder.
- Propane cylinders should be used until completely empty.
- **DO NOT REFILL DISPOSABLE PROPANE CYLINDERS.** Disposable tanks can explode when refilled.
- Do not smoke near or while changing fuel cylinders.
- Allow fuel vapors to escape from the area before starting engine.
- Do not change cylinder near appliances with pilot lights, heaters, or other ignition sources.
- Always have an adult replace the fuel cylinder and never allow children to handle fuel cylinders.
- Never allow an adult or anyone under the influence of drugs or alcohol to handle fuel cylinders.
- Do not put propane cylinders in baggage or transport on trains or in aircraft.
- Empty propane cylinders must be disposed of properly. Consult local regulations for disposal and recycling.
- Follow all warnings on cylinder in addition to notes above.

**BURNS AND FIRES**

The muffler, muffler guard, and other parts of the engine become extremely hot during the operation of the engine. These parts remain extremely hot after the engine has stopped.

**Prevention of Burns and Fires**

- If you smell propane (identified by a sour, rotten egg smell) do not start or run the engine. If there is a build up of propane, leave the area immediately. If necessary, call the local fire department for assistance.
- Do a visual inspection of the propane tank, hose, and fitting seals before connecting the propane cylinder to the engine. Do not connect a propane cylinder that has damaged or missing seals.
- Always disconnect the regulator from the propane cylinder before transporting or storage.
- Use a protective cap on the propane cylinder when not

attached to the engine. This will help keep the cylinder valve clean.

- Do not over tighten propane cylinder when attaching to fuel line. Damage to regulator or propane cylinder seals can occur.
- Check for suspected propane leaks with soapy water on connections. If bubbles are observed, inspect and retighten fitting. Repair all leaks before use.
- Use caution when handling propane. Propane is flammable.
- Never remove the muffler guard from the engine.
- Never touch the muffler guard because it is extremely hot and will cause severe burns.
- Never touch parts of the engine that become hot after operation.
- Always keep materials and debris away from muffler guard and other hot parts of the engine to avoid fires.

**SERVICE**

- Always stop the engine whenever you leave the equipment, before cleaning, repairing, or inspecting the unit. Engine should be turned off and cool, spark plug wire must be removed from spark plug before any repairs or adjustments are attempted. Never make adjustments or repairs with the engine (motor) running. Disconnect the spark plug wire, and keep the wire away from the plug to prevent accidental starting.
- Always wear eye protection when you make adjustments or repairs.
- When servicing or repairing the engine, do not tip the engine over or up unless specifically instructed to do so in this manual. Service and repair procedures can be done with the engine in an upright position. Some procedures will be easier if the engine is lifted on a raised platform or working surface.
- To reduce fire hazard, keep engine free of debris build-up. Clean up oil or fuel spillage. Allow engine to cool before storing.
- Stop and inspect the equipment if you strike an object. Repair, if necessary, before restarting.
- Clean and replace safety & instruction decals as necessary.
- To guard against engine over-heating, always have engine debris filter mounted and clean.
- Inspect engine before storage. When not in use, disconnect spark plug lead and store indoors in a dry place locked or otherwise inaccessible to children.
- Use only original equipment parts including all nuts & bolts.



## PRE-OPERATION

### Preparing Engine For Starting

1. Check engine oil level (see Check Oil Level in Service, Troubleshooting, and Repair section).
2. Thread a 16.4 oz disposable propane fuel cylinder into the regulator. Ensure the cylinder is fully sealed.

**NOTE:** *The correct size disposable propane fuel cylinder is approximately 3.875 inches (9.5 cm) in diameter. Always use the correct size and type specified. Use of the wrong propane cylinder can cause damage to engine. It is recommended that you have at least one additional disposable propane cylinder available to use as a back up.*

3. Install the cylinder into the holder and secure it down.

## STARTING

1. Turn on/off valve to "ON" until it positively engages into the on position. Always check for leaks before using.
2. While holding onto the handle bar with your right hand (unit in the vertical position), grasp the starting handle and pull slowly until you feel the recoil engage the recoil clutch, then swiftly pull using full arm strokes until the engine starts. Do not hold the throttle to start.

### **IMPORTANT NOTE:**

*When first using a newly purchased unit, or after long storage, it may require 6-10 pulls initially to prime the system. After first use, each subsequent start should only require 1 to 2 pulls to start.*

### **IMPORTANT NOTE:**

*When using unit in extreme cold conditions, if unit does not fire initially without touching the throttle, hold throttle at fully open and repeat the starting procedure. After the engine fires, release the throttle for safety.*

### **IMPORTANT NOTE:**

*If the engine does not start in excessive cold conditions, replace the propane cylinder with a new cylinder that has been stored in a warm place. Alternatively, you can move the auger to a warm place to allow the auger to warm up sufficiently to start.*

### **IMPORTANT NOTE:**

*The clutch will transfer maximum power after about two hours of normal operation. During this break-in period clutch slippage may occur. The clutch should be kept free of oil or other moisture for efficient operation.*

### **IMPORTANT NOTE:**

*Drill holes without placing body weight on the unit. The auger operates most efficiently with a shaving action caused by the weight of the unit itself.*

### **IMPORTANT NOTE:**

*DO NOT allow the recoil to snap back quickly, guide the handle slowly back to the rest position.*

## OPERATION

1. After starting the engine, allow the engine to idle for at least 30 seconds in preparation for usage.
2. Place auger in position for hole to be drilled, hold unit at full throttle, avoid putting down force on the unit, and allow the weight of the unit to do the work for you.
3. When finished drilling the hole, turn the on/off valve to the "OFF" position.



### WARNING

- NEVER RUN ENGINE INDOORS. EXHAUST FUMES ARE DEADLY.
- DO NOT USE AN ICE AUGER FOR ANYTHING OTHER THAN ICE.
- THE ICE AUGER BLADE PROTECTOR SHOULD BE ATTACHED TO THE AUGER BLADE WHEN NOT IN USE. THIS WILL PROTECT THE CUTTING EDGE OF THE ICE AUGER BLADES. AVOID INJURY! MAKE SURE THE UNIT IS IN A STABLE POSITION BEFORE PULLING THE STARTER HANDLE.



### CAUTION

- AVOID INJURY! IF AUGER IS MOUNTED TO ENGINE, ALL SAFETY GUARDS MUST BE SECURELY FASTENED TO AVOID SERIOUS INJURY.
- AVOID INJURY! IF ENGINE FAILS TO START AFTER TRYING STARTING PROCEDURES, PLEASE CONTACT OUR CUSTOMER SERVICE DEPARTMENT AT 800-345-6007 OR VISIT WWW.GETESKIMO.COM.
- AVOID INJURY! NEVER LEAVE ENGINE RUNNING WHILE UNATTENDED. TURN OFF AFTER EVERY USE.
- AVOID INJURY! NEVER CARRY POWERHEAD AND AUGER BETWEEN HOLES WHILE ENGINE IS RUNNING.

## MAINTENANCE AND STORAGE

### Auger Maintenance

1. The gear case has 4 oz. of lithium grease installed at the factory. It is recommended that once a year the gear case be split and the grease level checked. Add grease only if level of grease is below top of the gears. DO NOT OVERFILL.
2. Keep all screws, nuts, and bolts tight.
3. Always replace blade protector when power auger is not in use.
4. If blade performance decreases, turn unit off and disconnect spark plug wire. Carefully inspect cutting edge of blades for any nicks or shiny areas. If blades show any of these signs, they need to be resharpened or replaced.

**General Maintenance**

Please refer to the maintenance table for all auger and engine service. It is important that you read this manual entirely. Following these recommendations will help you enjoy your propane auger for many years. The following routine inspections and maintenance guidelines are relatively simple to conduct, and require few tools. If any doubt exists on how to properly do the recommended maintenance, please call customer service or take to an authorized service center.

**Maintenance, replacement, or repair of the emissions control devices and systems may be performed by any non-road engine repair establishment or individuals. However, all authorized warranty repairs must be handled by an authorized service center.**

The maintenance schedule applies to normal operating conditions. If you operate your engine under unusual conditions, such as sustained high-load or high-temperature operation, or use in unusually wet or dusty conditions, consult your servicing dealer for recommendations applicable to your individual needs and use.

**WARNING**

- **WHEN SERVICING OR INSPECTING ANY COMPONENT OF THE AUGER OR ENGINE, ALWAYS DISCONNECT THE SPARKPLUG WIRE FROM THE SPARKPLUG, AND SET OFF TO THE SIDE WHERE IT CANNOT ARC TO THE SPARKPLUG LEAD.**

**CAUTION**

**TO PREVENT ACCIDENTAL STARTING:**

- **AVOID INJURY! ENGINE MUST BE TURNED OFF AND COOL, AND SPARK PLUG WIRE MUST BE REMOVED FROM SPARK PLUG BEFORE CHECKING AND ADJUSTING ENGINE OR EQUIPMENT.**
- **AVOID INJURY! TEMPERATURE OF MUFFLER AND NEARBY AREAS MAY EXCEED 150° F (65° C). AVOID THESE AREAS.**
- **AVOID INJURY! CHECK AUGER OFTEN FOR LOOSE NUTS AND BOLTS. KEEP THESE ITEMS TIGHTENED.**
- **AVOID INJURY! AN ADULT MUST ALWAYS DO MAINTENANCE AND REPAIR ON ENGINE AND AUGER.**
- **AVOID INJURY! ENGINE MUST BE SHUT-OFF, COOL, AND SPARK PLUG WIRE REMOVED BEFORE ANY REPAIR OR MAINTENANCE CAN BE DONE.**

**NOTE:** All repair parts must come from the factory. Never replace parts that are not specifically designed for the engine or auger.

**NOTE:** The ends of the bolt should be flush with auger collar. Bolt head and thread end should never go beyond auger collar.

**Fasteners**

Always check the nuts, bolts, screws, and general condition of the engine and auger.

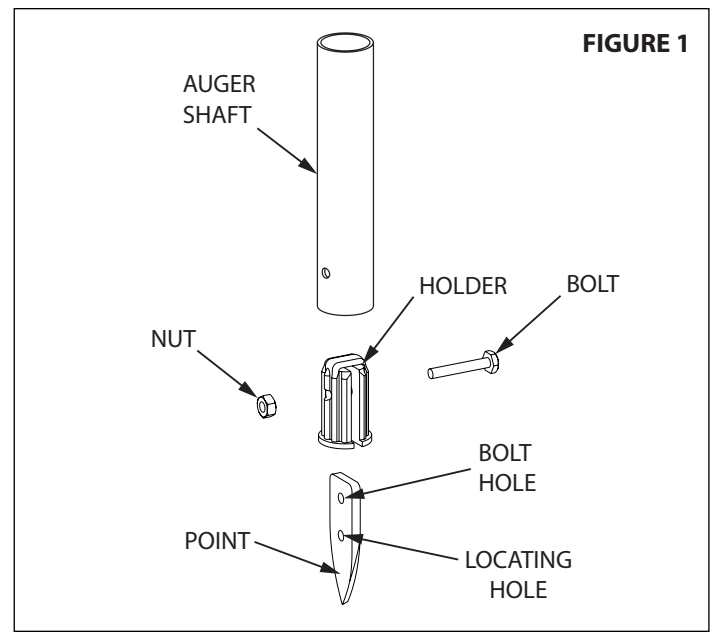
**Blades**

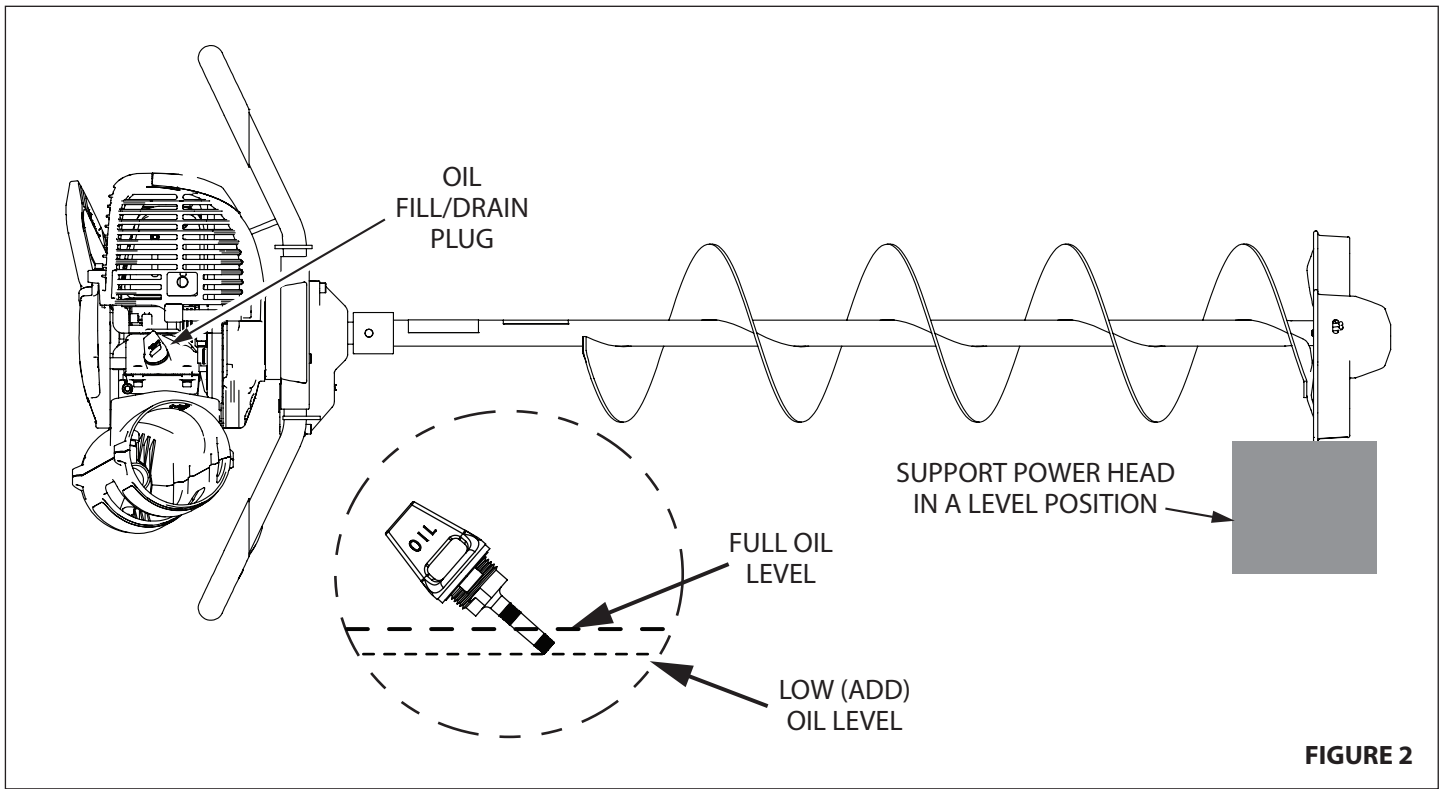
Check blades for nicks or shiny areas along the cutting edge, if these signs are present, it is time to replace the blades.

Check ice point for nicks and dull edges.

**Ice Point Replacement (SEE FIGURE 1)**

1. Remove blade protector and both blades.
  2. Remove nut and retaining bolt from point.
  3. Using a locking pliers, grasp point and pull out. If holder doesn't come out with the point, remove with pliers.
  4. With locking pliers, push in new point and holder aligning bolt hole in point with holes in auger shaft. DO NOT damage end of point.
- NOTE:** When installing holder in auger shaft, edges of holder may shave off.
5. Insert retaining bolt and tighten with nut.
  6. Re-attach both blades and put blade protector back on.





**FIGURE 2**

### Check Engine Oil

1. Place unit horizontally, tank side down, with the auger propped up to make it level. **SEE FIGURE 2**
2. Unscrew the dipstick, wipe off dipstick with rag, and re-install the dipstick by threading it all the way in.
3. Remove the dipstick and examine where the oil level is sitting. If the oil is within the hash marks, the oil level is sufficient. If the oil is below the hash marks, add oil, if it's above the hash marks, remove oil.

### Changing Engine Oil

1. Remove dipstick from unit.
2. Rotate unit over on its side and drain oil into approved container until oil pours completely out of unit.
3. With all of the oil out of the unit, pour 0W-40 oil into the crankcase until oil level is within the hash marks on the dipstick. If oil is below the hash marks, add oil, if it's above the hash marks, remove oil.
4. Re-install the dipstick.

***IMPORTANT NOTE: Do not overfill the unit with oil. Doing so could cause damage to occur within the engine.***

***IMPORTANT NOTE: Your unit comes with fully synthetic 0W-40 ready to pour; oil needs to be added before initial use. High quality oil is recommended for your high compression propane engine, it is important to use the oil recommended for easy cold starting and to prevent premature engine wear.***

### Clean Debris Off Unit

- For the engine to cool itself, it is important that the cooling fins are kept free of debris.
- Keep flywheel free from debris to allow sufficient air flow across the engine fins.
- Use either compressed air, a vacuum, or a brush to clean debris off of components.

### Check Air Filter

- It is recommended that the air filter be checked before each use.
- The air filter element should be clean and free from particles or debris for proper engine performance and to protect the engine from damage.
- If the filter is dirty, cleaning will be needed, and if necessary the filter will need to be replaced.

### Clean Air Filter

1. Wash air filter in warm water with a mild detergent until dirt and debris is removed. Press filter while washing, do not twist.
2. Rinse with warm water until all detergent residue is removed.
3. Dry filter by pressing with cloth or towel, and allow to air dry overnight.



4. Re-install filter into filter housing, and check for proper fit.

**Check Sparkplug**

1. Disconnect ignition coil wire from sparkplug and clean debris from around plug.
2. Remove the plug and check for the following: pitted electrode, burned electrode, cracked porcelain, or carbon deposits around electrode.
3. If any of the previous signs are present, replace sparkplug.
4. To re-install the sparkplug, ensure the gap is set to .024 inches, and torque sparkplug to 7.2 - 8.7 ft-lbs.

**NOTE: A loose spark plug may overheat and damage engine. An over tightened spark plug may damage threads in the cylinder head.**

**Check Valve Lash**

- Valve lash should be at .004 - .007 inches, if not valve lash will need to be re-set.

**NOTE: Check valve lash at room temperature with piston at top dead center of compression stroke.**

**Check Oil and Crankcase Ventilation Line**

- Due to constant heat cycles, it is important that you inspect the oil line (the black line going from the oil sump to the valve cover) for any signs of cracking, rotting, or splitting.
- The crankcase ventilation line is the line from the cam cover under the recoil, to the air filter housing. Ensure this line is not cracked, split, rotted, or full of moisture and oil.

**Check Fittings on Gas Line**

- For continued safe operations of your propane unit, the fuel line should be inspected on a regular basis for any

signs of wear or leaks.

- To find leaks, use soapy water sprayed onto fittings, if there is any bubbling, there is a leak. A rotten egg smell is also an indication of a leak.
- Any leaks should either be sealed with LPG rated thread sealant, or call for replacement parts.
- Do not use the auger until the leak is fixed.

**Transporting Your Ice Auger**

1. Never transport engine inside an enclosed space or vehicle. Fuel vapors may ignite causing serious injury or death.
2. Do not store auger with propane cylinder attached. Always disconnect the regulator from the propane cylinder when transporting or storing.
3. The HC40 powerhead is an all position engine. The powerhead can be laid on any side for short periods of time. Do not store the unit up-side down. Store the unit with the spark plug facing up or the unit upright in the operating position when storing for long periods of time. Oil can migrate over time. Some oil leakage can occur over time. Check the oil level before each use.

**Long-Term Storage**

**NOTE: If your ice auger will not be ran for more than one month, prepare it for long-term storage.**

1. Remove auger from powerhead and apply a thin layer of grease to the output shaft.
2. Always store engine with sparkplug up.
3. Remove all debris from auger and powerhead (engine).
4. Attach blade protector to bottom of auger.

MAINTENANCE ITEM	BEFORE EVERY USE	10 HOURS	50 HOURS	SEASONALLY
Check Fasteners for Tightness (Nuts, Bolts, Screws)	X			
Check Blades and Point	X			
Check Engine Oil	X			
Change Engine Oil		X		X
Clean Debris Off Unit	X			
Check Air Filter	X			
Clean Air Filter		X		X
Check Sparkplug				X
Replace Sparkplug			X	
Check Valve Lash		X		X
Check Oil Line and Crankcase Ventilation Line		X		X
Check Fittings on Gas Line	X			

## SERVICE, TROUBLESHOOTING, AND REPAIR

### Service Information

At Ardisam, we build quality and durability into the design of our products; but no amount of careful design by us, and careful maintenance by you, can guarantee a repair-free life for your unit. Most repairs will be minor, and easily fixed by following the suggestions in the troubleshooting guide in this section.

The guide will help you pinpoint the causes of common problems and identify remedies.

For more complicated repairs, you may want to rely on your retailer or an authorized repair center (contact your retailer for a list of authorized mechanics in your area). A parts breakdown can be found on our website, [www.GetEskimo.com](http://www.GetEskimo.com).

We will always be glad to answer any questions you have, or help you find suitable assistance. To order parts or inquire about warranty, call or write us at the address found on the next page, under the section "ordering repair parts".

 **CAUTION**

**AVOID INJURY! DO NOT ATTEMPT TO START THE ENGINE USING STARTING FLUID.**

**AVOID INJURY! DO NOT SPRAY FLAMMABLE LIQUIDS OR VAPORS INTO AIR CLEANER, CARBURETOR OR SPARK PLUG CHAMBER.**

**AVOID INJURY! DO NOT REMOVE SPARK PLUG AND PULL STARTER ROPE. FLAME CAN SPRAY OUT & IGNITE FROM A SPARK FROM SPARK PLUG.**

### TROUBLESHOOTING AND REPAIR

PROBLEM	POSSIBLE CAUSE	REMEDY/ACTION
Engine will not start	1. On/Off valve off	1. Switch to <b>ON</b>
	2. Spark plug wire disconnected	2. Connect spark plug wire to spark plug
	3. Out of fuel	3. Refuel
	4. Spark plug wet, faulty or improperly gapped	4. Clean, replace or gap spark plug
Engine runs rough, floods during operation	1. Dirty air filter	1. Clean or replace air filter
	2. Carburetor out of adjustment	2. Consult authorized service center
Engine is hard to start	1. Excessive oil in cylinder	1. Remove spark plug and clear oil from plug and cylinder
	2. Fuel too cold	2. Replace cylinder with one that has been stored in a warm location
	3. Engine too cold	3. Move engine to a warm location to warm up
Engine misses or lacks power	1. Faulty ignition coil	1. Take to authorized service center
	2. Carburetor out of adjustment	2. Take to authorized service center
Auger turns at idle	1. Idle speed too high	1. Adjust idle speed lower
	2. Broken clutch spring	2. Replace both springs
Auger turns, but has no power	1. Carburetor out of adjustment	1. Consult authorized service center
	2. Broken transmission	2. Consult authorized service center
	3. Worn clutch shoes	3. Replace clutch shoes and springs
Auger jumps on ice	1. Blades damaged or sharpened incorrectly	1. Replace with new blades
Auger cuts slowly	1. Dull blades	1. Replace with new blades
	2. Damaged point	2. Replace with new point

Contact service provider if above remedies fail, or visit our website at [www.GetEskimo.com](http://www.GetEskimo.com) for additional frequently asked questions.

### ORDERING REPAIR PARTS

Parts may be obtained from the store where your auger was purchased or by calling Ardisam customer service at the number listed below. To order from the factory, call, e-mail, or order online at [www.GetEskimo.com](http://www.GetEskimo.com):

Eskimo®  
A Division of Ardisam, Inc.  
**1-800-345-6007**  
**E-mail: [info@geteskimo.com](mailto:info@geteskimo.com)**

Please include the part numbers, part description, quantity, model number, and serial number.

## ESKIMO POWER ICE AUGERS

### Warranty Terms and Conditions

#### PRODUCT WARRANTY: 5-YEAR LIMITED WARRANTY

Ardisam, Inc. (Ardisam), a manufacturing company, warrants this product to be free from defects in the material or workmanship for a period of five years from the date of purchase. If there is insufficient evidence of the purchase date, the effective date of this warranty will begin on the augers date of manufacture. During the five-year warranty of this product, Ardisam will furnish, at their discretion, parts and labor to correct any defect caused by faulty material or workmanship. In no event shall recovery of any kind be greater than the amount of the purchase price of the product sold. Ardisam reserves the right to inspect any incoming units returned under warranty to determine if warranty applies before performing any warranty related work (including parts and component). Any unit used in a commercial application, or producing income is covered for a period of 90 days after purchase. This warranty applies to the original owner with a proof of purchase and is not transferable. For the warranty to be valid, the product must be registered online, or the warranty card must be filled out and received by Ardisam, within 30 days of purchase. This warranty excludes augers that sustain damage or defects due to normal wear, wear items such as cables, clutch shoes, blade protector bungee, blades, and ice points, routine maintenance items such as filter elements, o-rings, seals, lubricants, and tune-ups, running the engine with non-mixed (no oil) fuel, or without proper mix ratio, using the power auger for a purpose other than that for which it was designed and manufactured, using the power auger in violation of local codes, ordinances and good trade practices. \*These warranties apply only to products which have not been subjected to negligent use, abuse, misuse, overload, improper installation, alteration, accident, acts of God (or other events beyond Ardisam's control), vandalism, unauthorized parts, failure to use proper fuel and oil, improper maintenance, or if repairs have been performed at a non-authorized service facility. These warranties shall not cover damage from normal wear and tear, normal maintenance parts and services, nor improper installation, operation, storage, or maintenance; nor operating the equipment above recommended maximums as stated in this manual. These warranties supersede all other warranties either expressed or implied and all other obligations or liabilities on the part of Ardisam. Ardisam, does not assume, and does not authorize any other person to assume for Ardisam, any liability in connection with the sale of Ardisam products. **To be at "No Charge," warranty work must be sent directly to and performed by Ardisam or an Ardisam Authorized Warranty Service Facility.** To obtain warranty service and/or replacement instructions, contact the Ardisam Customer Service Department at 800-345-6007. If you choose to ship your product to Ardisam for warranty repair, you must first have prior approval from Ardisam by calling the Ardisam Customer Service Department for a return material authorization number (RMA#). Under these circumstances, all items must be shipped prepaid. Ardisam will at no charge, repair or replace, at the discretion of Ardisam, any defective part which falls under the conditions stated above. Ardisam retains the right to change models, specifications and price without notice. Ardisam shall not be obligated to ship any repair or replacement product to any location outside of the United States of America or Canada. Some states and countries do not allow the limitations on how long an implied warranty lasts, or the exclusion or limitation of incidental or consequential damages, so the above limitation may not apply to you. This warranty gives you specific legal rights, and you may also have other rights which vary from state to state and country to country.

#### ESKIMO®

A Division of Ardisam, Inc.  
1160 Eighth Avenue; P.O. Box 666  
Cumberland, Wisconsin 54829  
1-800-345-6007 · Fax (715) 822-4180  
E-mail: info@geteskimo.com



#### IMPORTANT

**USING YOUR POWERHEAD AND/OR AUGER TO POWER OR OTHERWISE UTILIZE ANY PRODUCT OR DEVICE MANUFACTURED BY ANY ENTITY OR INDIVIDUAL OTHER THAN ARDISAM, INC. WILL VOID YOUR WARRANTY AND WAIVE ANY AND ALL CLAIMS FOR LIABILITY AGAINST ARDISAM, INC.**



## Warranty Terms and Conditions

### **ARDISAM LIMITED 5 YEAR VIPER ENGINE WARRANTY FOR ENGINES LESS THAN 79CC's MANUFACTURED AFTER 4/1/2016**

Ardisam, Inc. (Ardisam) warrants this engine under a five-year limited warranty to be free from defects in the material or workmanship or both for a period not exceeding sixty consecutive months from the date of original purchase by the first retail consumer or first commercial end user. "Consumer use," means personal recreational use by a retail consumer. "Commercial use," or "commercial application," means all other uses, including use for commercial, income producing or rental purposes. Once a product has experienced commercial use, it shall thereafter be considered as a commercial use product for the purpose of this warranty. This warranty applies to the original owner that provides a proof of purchase. This warranty is not transferable. The warranty period begins on the date of purchase by the first retail consumer or commercial end user, and continues for the sixty month consecutive period thereafter. Any unit used in a commercial application is covered for a period of 90 days after purchase by the first commercial end user. For the warranty to be valid, the product must be registered online within 30 days of purchase, or the warranty card must be filled out and received by Ardisam within 30 days of purchase. Ardisam shall not be obligated for transportation charges that result from repair or replacement under the terms of this warranty. Transportation charges are the sole responsibility of the purchaser.

This warranty excludes parts that are worn or damaged due to normal wear such as spark plugs, recoil ropes, fuel filters, and bearings. Routine maintenance items such as filter elements, O-rings, seals, lubricants, and tune-ups are also excluded. Natural fading or peeling from normal deterioration due to weather elements, sea water, and chemicals is also excluded. Non catalytic mufflers will be warranted for one year. For all catalytic mufflers refer to the emissions control warranty contained in the retail package.

This limited warranty applies to defects in the material or workmanship of the engine only. This warranty does not apply to the product to which the engine is mounted. This warranty policy applies only to engines which have not been subjected to misuse including but not limited to operating engine with insufficient, contaminated, or incorrect grade of oil, using gasoline with ethanol greater than 10%, contaminated gasoline, dirt ingestion due to improper air filter maintenance or improper installation, excessive vibration causing loose hardware, unbalanced items attached to the crankshaft, uses other than those indicated in the product manual, alteration, accident, use of unauthorized parts, failure to perform periodic maintenance as specified in engine manual, normal wear and tear, use of unauthorized parts or repairs performed at unauthorized service centers. Parts applied to the external engine like clutches, pulleys, belt engagement items are subject to the warranty of the product to which the engine is mounted. Failure resulting from obstructing airflow to the engine such as dirt, grass, rodent nests that cause overheating is excluded. All parts specified in the "Emissions Control Warranty" contained in this manual will follow the terms of that agreement and are not included as part of this warranty. There is no other express warranty. Implied warranties, including those of merchantability and fitness for a particular purpose, are limited to one year from purchase, or to the extent permitted by law. All other implied warranties are excluded. Liability for incidental or consequential damages are excluded to the extent exclusion is permitted by law. Ardisam does not assume, and does not authorize any other person to assume for Ardisam, any liability in connection with the sale of Ardisam products. To be at "No Charge," warranty work must be sent directly to and performed by Ardisam or an Ardisam Authorized Warranty Service Facility. To obtain warranty service and/or replacement instructions, contact the Ardisam Customer Service Department at 800-345-6007. If you choose to ship your product to Ardisam for warranty repair, you must first have prior approval from Ardisam by calling the Ardisam Customer Service Department for a return material authorization number (RMA#). Under these circumstances, all items must be shipped prepaid. Ardisam will, in its discretion, at no charge, repair or replace any defective part to which this warranty applies. Ardisam retains the right to change models, specifications and price without notice. Ardisam shall not be obligated to ship any repair or replacement product to any location outside of the United States of America or Canada. Some states and countries do not allow the limitations on how long an implied warranty lasts, or the exclusion or limitation of incidental or consequential damages, so the above limitation may not apply to you. This warranty gives you specific legal rights, and you may also have other rights which vary from state to state and country to country.



## LIMITED 2-YEAR EMISSIONS CONTROL WARRANTY

### FEDERAL EMISSION CONTROL WARRANTY STATEMENT

#### YOUR WARRANTY RIGHTS AND OBLIGATIONS

The United States Environmental Protection Agency (EPA), together with Ardisam, Inc. (Ardisam), are pleased to explain the Emission Control System Warranty on your small off-road engine (SORE). New small off-road engines must be designed, built and equipped to meet stringent anti-smog standards the federal government. Ardisam will warrant the emission control system on your engine for the periods of time listed below provided there has been no abuse, neglect, modification or improper maintenance of your engine.

The emission control system includes all components whose failure would increase the emissions of any regulated pollutant. These components are listed in the emission-related parts list located in a subsequent section of this emissions warranty statement. Ardisam will repair your engine at no cost to you for diagnosis, replacement parts and labor, should a warrantable condition occur.

#### MANUFACTURER'S WARRANTY COVERAGE:

The emission control system is warranted for two years. If, during such warranty period, any emission-related part on your engine is found to be defective in materials or workmanship, repairs or replacement will be performed by a Ardisam Authorized Warranty Service Facility.

#### PURCHASER'S/OWNER'S WARRANTY RESPONSIBILITIES:

As the SORE purchaser/owner, you are responsible for the completion of all required maintenance as listed in your factory supplied manual(s). For warranty purposes, Ardisam recommends that you retain all receipts covering maintenance on your SORE. However, Ardisam cannot deny warranty solely because of the lack of receipts or for your failure to ensure the completion of all scheduled maintenance.

As the SORE purchaser/owner, you should, however, be aware that Ardisam may deny any and/or all warranty coverage or responsibility if your SORE or a part/component thereof, has failed due to abuse, neglect, improper maintenance or modifications, or the use of counterfeit and/or "grey market" parts not made, supplied or approved by Ardisam.

You are responsible for presenting your SORE to an Ardisam Authorized Warranty Service Facility as soon as a problem occurs. The warranty repairs should be completed in a reasonable amount of time, not to exceed 30 days.

Warranty service can be arranged by contacting either your selling dealer or a Ardisam Authorized Warranty Service Facility. To locate the Ardisam Authorized Warranty Service Facility nearest you, call our free number:

**Ardisam Authorized Warranty Service Facility:  
800-345-6007**

**IMPORTANT NOTE:** This warranty statement explains your rights and obligations under the Emission Control System Warranty (ECS Warranty), which is provided to you by Ardisam pursuant to federal law. See also the Ardisam "Product Warranty" (non-emission warranties), which is enclosed herewith on a separate sheet or located in additional materials accompanying this product. The ECS Warranty applies only to the emission control system of your new engine. If there is any conflict in terms between the ECS Warranty and the Ardisam Warranty, the ECS Warranty shall apply except in circumstances where the Ardisam Warranty may provide a longer warranty period. Both the ECS Warranty and the Ardisam Warranty describe important rights and obligations with respect to your new engine.

Warranty service can be performed only by an Ardisam Authorized Warranty Service Facility. When requesting warranty service, evidence must be presented showing the date of the sale to the original purchaser/owner. The purchaser/owner shall be responsible for any expenses or other charges incurred for service calls and/or transportation of the product to/from the inspection or repair facilities. The purchaser/owner shall also be responsible for any and/or all damages or losses incurred while the engine is being transported/shipped for inspection or warranty repairs.

**IF YOU HAVE ANY QUESTIONS REGARDING YOUR WARRANTY RIGHTS AND RESPONSIBILITIES, YOU SHOULD CONTACT ARDISAM AT THE FOLLOWING ADDRESS:**

Ardisam, Inc.  
1160 Eighth Avenue; P.O. Box 666  
Cumberland, Wisconsin 54829  
800-345-6007 · Fax (715) 822-4180

### II. EMISSION CONTROL SYSTEM WARRANTY

Emission Control System Warranty (ECS Warranty) for equipment using small off-road engines:

- (1) **Applicability:** This warranty shall apply to equipment that uses small off-road engines. The ECS Warranty Period shall begin on the date the new engine or equipment is purchased by/ delivered to its original, end-use purchaser/owner and shall continue for 24 consecutive months thereafter.
- (2) **General Emissions Warranty Coverage:** Ardisam warrants to the original, end-use purchaser/owner of the new engine or equipment and to each subsequent purchaser/owner that each of its engines is...
  - (a) Designed, built and equipped so as to conform with all applicable regulations adopted by the EPA pursuant to their respective authority, and

- (b) Free from defects in materials and workmanship which, at any time during the ECS Warranty Period, may cause a warranted emissions-related part to fail to be identical in all material respects to the part as described in the engine manufacturer's application for certification.

The ECS Warranty only pertains to emissions-related parts on your engine, as follows:

- (1) Any warranted, emissions-related parts that are not scheduled for replacement as required maintenance in the Maintenance Schedule (located in the section of the Manual(s) pertaining to maintenance) shall be warranted for the ECS Warranty Period. If any such part fails during the ECS Warranty Period, it shall be repaired or replaced by Ardisam according to Subsection (4) below. Any such part repaired or replaced under the ECS Warranty shall be warranted for the remainder of the ECS Warranty Period.
- (2) Any warranted, emissions-related part that is scheduled only for regular inspection as specified in the Maintenance Schedule (located in the section of the Manual(s) pertaining to maintenance) shall be warranted for the ECS Warranty Period. A statement in such written instructions to the effect of "repair or replace as necessary" shall not reduce the ECS Warranty Period. Any such part repaired or replaced under the ECS Warranty shall be warranted for the remainder of the ECS Warranty Period.
- (3) Any warranted, emissions-related part that is scheduled for replacement as required maintenance in the Maintenance Schedule (located in the section of the Manual(s) pertaining to maintenance) shall be warranted for the period of time prior to the first scheduled replacement point for that part. If the part fails prior to the first scheduled replacement, the part shall be repaired or replaced by Ardisam according to Subsection (4) below. Any such emissions-related part repaired or replaced under the ECS Warranty shall be warranted for the remainder of the ECS Warranty Period prior to the first scheduled replacement point for such emissions-related part.
- (4) Repair or replacement of any warranted, emissions-related part under this ECS Warranty shall be performed at no charge to the owner at a Ardisam Authorized Warranty Service Facility.
- (5) When the engine is inspected by a Ardisam Authorized Warranty Service Facility, the owner shall not be held responsible for diagnostic costs if the repair is deemed warrantable.
- (6) Ardisam shall be liable for damages to other original engine components or approved modifications proximately caused by a failure under warranty of any emission-related part covered by the ECS Warranty.
- (7) Throughout the ECS Warranty Period, Ardisam shall maintain a supply of warranted emission-related parts sufficient to meet the expected demand for such emission-related parts.
- (8) Any Ardisam authorized and approved emission-related replacement part may be used in the performance of any ECS Warranty maintenance or repairs and will be provided without charge to the purchaser/owner. Such use shall not reduce

Ardisam's ECS Warranty obligations.

- (9) Unapproved, add-on, modified, counterfeit and/or "grey market" parts may not be used to modify or repair a Ardisam engine. Such use voids this ECS Warranty and shall be sufficient grounds for disallowing an ECS Warranty claim. Ardisam shall not be held liable hereunder for failures of any warranted parts of a Ardisam engine caused by the use of such an unapproved, add-on, modified, counterfeit and/or "grey market" part.

#### **EMISSION-RELATED PARTS INCLUDE THE FOLLOWING (IF EQUIPPED):**

- (1) Fuel Metering System
  - (i) Carburetor and internal parts (and/or pressure regulator or fuel injection system).
  - (ii) Air/fuel ratio feedback and control system.
  - (iii) Cold start enrichment system.
  - (iv) Fuel Tank.
- (2) Air Induction System
  - (i) Controlled hot air intake system.
  - (ii) Intake manifold.
  - (iii) Air filter.
- (3) Ignition System
  - (i) Spark Plugs.
  - (ii) Magneto or electronic ignition system.
  - (iii) Spark advance/retard system.
- (4) Exhaust Gas Recirculation (EGR) System
  - (i) EGR valve body, and carburetor spacer if applicable.
  - (ii) EGR rate feedback and control system.
- (5) Air Injection System
  - (i) Air pump or pulse valve.
  - (ii) Valves affecting distribution of flow.
  - (iii) Distribution manifold.
- (6) Catalyst or Thermal Reactor System
  - (i) Catalytic converter.
  - (ii) Thermal reactor.
  - (iii) Exhaust manifold.
- (7) Particulate Controls
  - (i) Traps, filters, precipitators, and any other device used to capture particulate emissions.
- (8) Miscellaneous Items Used in Above Systems
  - (i) Electronic controls.
  - (ii) Vacuum, temperature, and time sensitive valves and switches.
  - (iii) Hoses, belts, connectors, and assemblies.



Eskimo™, Division of Ardisam, Inc.  
1160 8th Avenue, PO Box 666  
Cumberland, WI 54829  
800-345-6007 | Fax 715-822-2223  
E-mail: [info@geteskimo.com](mailto:info@geteskimo.com)

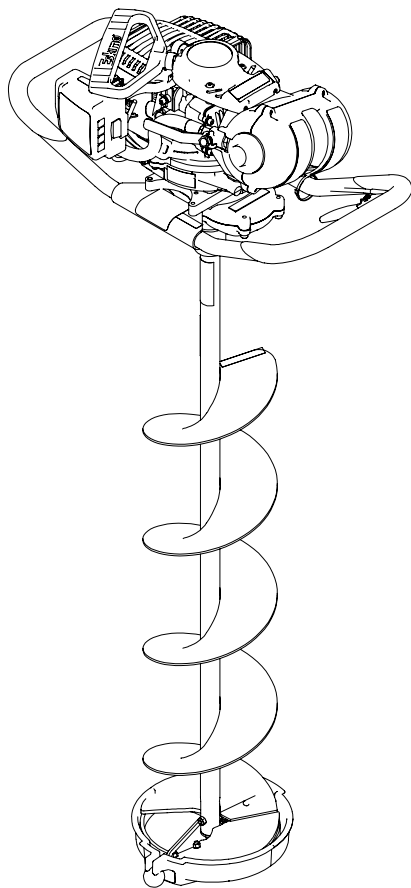


Manuel de l'utilisateur

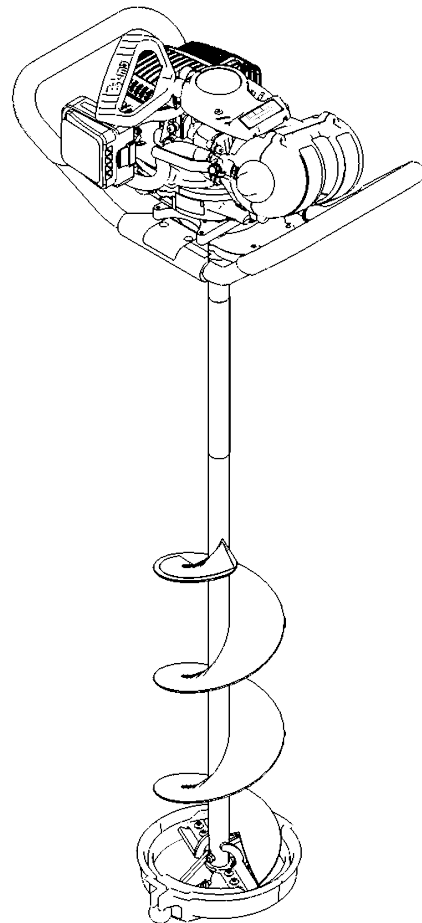
**HC40Q8**  
**HC40Q10**  
**P1R08**  
**P1R10**

Tarière à glace au propane  
de haute compression

FRANÇAIS



**HC40Q8 / HC40Q10**



**P1R08 / P1R10**

**PROPANE POWERED ICE AUGER**

Pièces détachées en ligne à  
[www.GetEskimo.com](http://www.GetEskimo.com)



19741  
N° ECN 12262  
RÉV4 : 04/09/2019  
©Copyright 2019 Ardisam, Inc.  
Tous droits réservés.

## INTRODUCTION

Merci d'avoir acheté une tarière à glace au propane Eskimo® de Ardisam, Inc. Nous avons travaillé pour nous assurer que la tarière à glace réponde à des standards élevés de fonctionnalité et de durabilité. Moyennant des soins corrects, elle offrira de nombreuses années de service. Veuillez prendre le temps de lire ce manuel avec attention pour apprendre comment utiliser et entretenir correctement votre tarière à glace. Nous vous félicitons pour votre investissement dans la qualité. Conserver ces instructions pour toute référence ultérieure. Ardisam, Inc se réserve le droit de changer ou modifier ce manuel sans préavis.

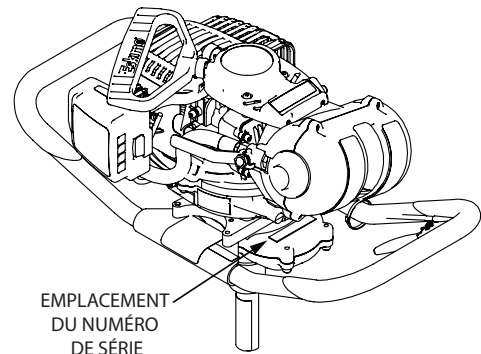
Enregistrement et service après-vente.....	2
Avertissements et mesures de précaution.....	3-4
Mesures de précautions concernant le moteur .....	4-5
Avant l'utilisation.....	6
Utilisation .....	6
Entretien et entreposage.....	6-9
Service après-vente, dépannage et réparation .....	10-11
Garantie produit .....	12
Garantie moteur .....	13
Déclaration fédérale de garantie sur le contrôle des émissions.....	14-15

### Information fédérale relative aux émissions

Eskimo garantit à l'acheteur de détail d'origine que ce petit moteur non routier a été conçu, fabriqué et équipé de manière à se conformer, au moment de la vente initiale, aux règlements en vigueur de l'U.S. Environmental Protection Agency (EPA) et à ceux de l'État de Californie (CARB).

### Enregistrement et service après-vente

Consigner le numéro de modèle et le numéro de série du produit dans l'espace prévu pour y accéder facilement lors des commandes de pièces détachées ou demandes d'assistance technique. À l'exception des articles couverts par la garantie sur le contrôle des émissions, la garantie est valable uniquement si l'enregistrement dûment rempli est reçu par Viper dans les 30 jours après l'achat. (POUR PLUS DE RENSEIGNEMENTS, VOIR LA SECTION SUR LA GARANTIE.) L'enregistrement de la garantie peut se faire en ligne à [www.ardisam.com](http://www.ardisam.com) ou par courrier à : Ardisam, Inc., 1160 Eighth Avenue, Cumberland, WI 54829, États-Unis. Pour toute question, appeler notre service après-vente au (800) 345-6007 du lundi au vendredi de 8h à 17h HAC.



RENSEIGNEMENTS SUR LE PROPRIÉTAIRE		
Lieu d'achat :		
Adresse du lieu d'achat :		
Ville :	État/Province :	Code postal :
Numéro de modèle :		Numéro de série (à côté de l'étiquette de mise en garde) :
Date d'achat :		
Notes :		

**Le présent manuel peut contenir des informations concernant plusieurs modèles. Lire ce manuel et le conserver pour toute consultation ultérieure. Ce manuel contient des renseignements importants sur la SÉCURITÉ, l'ASSEMBLAGE, l'UTILISATION et l'ENTRETIEN. Le client doit s'assurer que toute la documentation sur le produit est fournie avec l'appareil. Cette documentation comprend le MANUEL, la liste des PIÈCES DE RECHANGE et les GARANTIES. Cette documentation doit être fournie en vertu de la réglementation en vigueur. Le présent manuel doit rester avec la machine, même lorsqu'elle est revendue.**



## AVERTISSEMENTS ET MESURES DE PRÉCAUTION

### RESPONSABILITÉ de l'utilisateur

L'utilisation correcte, sûre et efficace de cette machine relève de la responsabilité de l'utilisateur.

- Lire et suivre toutes les instructions de sécurité.
- Suivre avec attention toutes les instructions d'assemblage.
- Entretenir la machine conformément aux instructions et au calendrier figurant dans le manuel de l'utilisateur Eskimo.
- S'assurer que quiconque utilise la machine connaît et comprend toutes les commandes et mesures de précaution.

### Messages de sécurité

Ce manuel contient des messages spéciaux attirant l'attention sur des problèmes de sécurité et dommages potentiels au moteur, ainsi que des informations utiles sur le fonctionnement et l'entretien. Veiller à lire toutes ces informations avec attention pour éviter les blessures et les dommages à la machine.

**REMARQUE :** Des informations générales sont fournies à travers ce manuel pouvant aider l'opérateur dans l'utilisation ou l'entretien de la machine.



Ce symbole signale des instructions de sécurité importantes qui doivent être respectées pour ne pas mettre en danger la sécurité des personnes.

### Avant utilisation :



#### AVERTISSEMENT

**LIRE TOUTES LES INSTRUCTIONS D'UTILISATION ET D'ENTRETIEN DE CE PRODUIT ET LES INSTRUCTIONS DU MATÉRIEL ENTRAÎNÉ PAR CE MOTEUR. TOUT MANQUEMENT À RESPECTER CES INSTRUCTIONS PEUT ENTRAÎNER DES BLESSURES GRAVES OU LA MORT. UTILISER LE MOTEUR CONFORMÉMENT AUX INSTRUCTIONS DE SÉCURITÉ FOURNIES ICI ET TOUT AU LONG DU MANUEL. QUICONQUE UTILISE CETTE MACHINE DOIT LIRE LES INSTRUCTIONS ET ÊTRE FAMILIARISÉ AVEC LES COMMANDES.**

#### AVERTISSEMENT PROPOSITION 65 DE CALIFORNIE

**L'ÉCHAPPEMENT DU MOTEUR DE CE PRODUIT CONTIENT DES SUBSTANCES CHIMIQUES DÉCLARÉES RESPONSABLES DE CANCER, MALFORMATIONS CONGÉNITALES OU AUTRES ANOMALIES DE LA REPRODUCTION PAR L'ÉTAT DE CALIFORNIE.**

**TOUT MANQUEMENT À OBSERVER LES INSTRUCTIONS DE SÉCURITÉ ET D'UTILISATION PEUT PROVOQUER UNE PERTE DE CONTRÔLE DU MOTEUR, DES BLESSURES CORPORELLES GRAVES POUR L'UTILISATEUR ET LES AUTRES PERSONNES PRÉSENTES ET DES DÉGÂTS MATÉRIELS.**



#### AVERTISSEMENT

**AVERTISSEMENT INDIQUE UN DANGER QUI, S'IL N'EST PAS ÉVITÉ, PEUT PROVOQUER LA MORT OU DES BLESSURES CORPORELLES ET/OU DES DÉGÂTS MATÉRIELS GRAVES.**



#### ATTENTION

**ATTENTION INDIQUE QUE LE MATÉRIEL PEUT ÊTRE ENDOMMAGÉ SI LES INSTRUCTIONS DE SÉCURITÉ QUI SUIVENT CE MOT-INDICATEUR NE SONT PAS RESPECTÉES.**

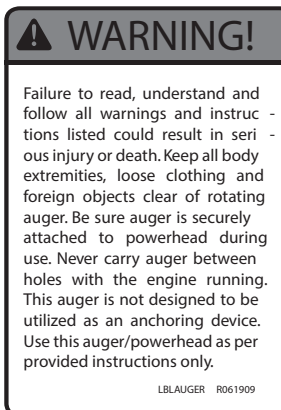


#### IMPORTANT

**SIGNALE DES INFORMATIONS UTILES CONCERNANT L'ASSEMBLAGE, L'UTILISATION OU L'ENTRETIEN DU MATÉRIEL.**

### Autocollants de sécurité :

Les trois autocollants de mise en garde ci-dessous sont apposés sur la tarière. Il est important de lire toutes les mesures de précaution et savoir où se trouvent les étiquettes de mise en garde avant d'utiliser ce produit.



**MESURES DE PRÉCAUTION IMPORTANTES :**

- Utiliser l'équipement de protection individuelle qui convient. La tarière à glace HC40/P1 produit un bruit pouvant être nuisible pour l'ouïe. Porter une protection auditive durant l'utilisation.
- Toujours garder les mains, les pieds, les cheveux et les vêtements amples à l'écart de toute pièce en mouvement du moteur et de la tarière.
- Les lames de coupe sont extrêmement tranchantes. Faire preuve de beaucoup de précaution pour forer la glace ou changer les couteaux. Remettre le protège-lame en place après chaque utilisation.
- Ne pas porter la machine entre deux forages avec le moteur en marche.
- La tarière ne doit pas tourner lorsque le moteur est au ralenti. Si elle tourne avec le moteur au ralenti, obtenir des instructions auprès d'un centre de réparation agréé Eskimo.
- Ne pas laisser d'enfant utiliser cette machine! Ne pas laisser d'adulte utiliser cette machine sans instruction appropriée.
- Ne pas utiliser de machine à moteur alors qu'on est sous l'emprise d'alcool ou de drogue.
- Contrôler la tarière à glace avant chaque utilisation. Maintenir tous les boulons, vis et écrous bien serrés.
- Le moteur doit être à l'arrêt et froid et le câble de bougie débranché de la bougie avant toute tentative de réparation.
- La température du silencieux et des zones avoisinantes peut dépasser 65 °C (150 °F). Éviter de toucher ces surfaces.
- Ne jamais faire fonctionner le moteur à l'intérieur ou dans un endroit fermé. L'échappement du moteur contient du monoxyde de carbone, un gaz inodore et mortel.
- Si la tarière ne tourne pas dans un trou, couper le moteur et le laisser refroidir avant de tenter de la retirer manuellement.

**AVERTISSEMENT**

- **LES MOTEURS DÉGAGENT DU MONOXYDE DE CARBONE, UN GAZ TOXIQUE INODORE ET INCOLORE. DU MONOXYDE DE CARBONE PEUT ÊTRE PRÉSENT MÊME SI ON NE PEUT NI SENTIR NI VOIR DE GAZ D'ÉCHAPPEMENT DU MOTEUR. L'INHALATION DE MONOXYDE DE CARBONE PEUT PROVOQUER LA NAUSÉE, LA PERTE DE CONSCIENCE, VOIRE LA MORT, EN PLUS D'UN ÉTAT DE SOMNOLENCE, D'ÉTOURDISSEMENT ET DE CONFUSION.**
- **EN PRÉSENCE DE L'UN DE CES SYMPTÔMES, SORTIR À L'AIR FRAIS ET OBTENIR IMMÉDIATEMENT DES SOINS MÉDICAUX.**
- **DÉMARRER ET FAITES TOURNER LE MOTEUR À L'EXTÉRIEUR. NE PAS DÉMARRER NI FAIRE TOURNER LE MOTEUR DANS UN ESPACE FERMÉ, MÊME AVEC DES PORTES OU DES FENÊTRES OUVERTES.**

**IMPORTANT**

**L'UTILISATION DE VOTRE TÊTE ET / OU DE LA TARIÈRE POUR ALIMENTER OU UTILISER TOUT PRODUIT OU APPAREIL FABRIQUÉ PAR UNE ENTITÉ OU UN INDIVIDU AUTRE QUE ARDISAM, INC. ANNULERA VOTRE GARANTIE ET RENONCE À TOUTE RÉCLAMATION DE RESPONSABILITÉ CONTRE ARDISAM, INC.**

**MESURES DE PRÉCAUTIONS CONCERNANT LE MOTEUR****POUR ÉVITER L'INTOXICATION AU MONOXYDE DE CARBONE**

- Ne jamais essayer de ventiler l'échappement du moteur à l'intérieur. Le monoxyde de carbone peut atteindre des niveaux dangereux très rapidement.
- Ne jamais faire fonctionner le moteur à l'extérieur à un endroit où les gaz d'échappement peuvent être aspirés dans un bâtiment.
- Ne jamais faire fonctionner le moteur à l'extérieur dans un endroit mal aéré où les fumées d'échappement peuvent être piégées et difficiles à dissiper (exemples : fond de fouille ou zones couvertes par des bancs de neige).
- Ne jamais faire fonctionner le moteur dans un endroit fermé ou partiellement fermé (exemples : bâtiments fermés sur un ou plusieurs côtés, à l'intérieur d'un abri, garage ou sous-sol).
- Toujours faire fonctionner le moteur avec l'échappement et le silencieux pointés dans la direction opposée à l'utilisateur.
- Ne jamais diriger le silencieux d'échappement vers quiconque. Les personnes présentes doivent toujours se tenir à plusieurs mètres de distance du moteur en marche et de ses accessoires.
- Ne pas modifier les réglages du régulateur de moteur ni faire tourner le moteur en sursrégime. Se tenir à l'écart des pièces tournantes. Placer des capots protecteurs sur les pièces tournantes.
- Ne pas utiliser le moteur au voisinage d'arbustes secs, de chiffons ou autres matières inflammables.
- Toujours tenir tous matériaux et débris à l'écart du protège-silencieux et autres pièces chaudes du moteur.
- Ne jamais faire fonctionner le moteur sans le protège-silencieux en place.
- Toujours s'assurer que le tuyau d'échappement est exempt de corps étrangers.
- L'échappement du moteur devient très chaud durant la marche. Garder le moteur à un mètre au moins des bâtiments et autre équipement durant la marche.
- Porter une tenue adaptée, notamment un blouson ou une chemise à manches longues. Porter également un pantalon long. Ne pas porter de chaussures ouvertes et ne jamais utiliser la machine pieds nus.
- Ne pas porter de vêtements amples ni de bijoux. Ils peuvent être happés par les pièces en mouvement. Toujours tenir les mains, les pieds, les cheveux et les vêtements amples à l'écart de toute pièce en mouvement du moteur et de la machine.

**FEUX ET MANIPULATION SÉCURITAIRE DU CARBURANT**

- Ne pas entreposer les bouteilles de gaz de réserve directement au soleil ou dans un endroit pouvant dépasser 49 °C (120 °F). Une chaleur excessive peut provoquer l'explosion de la bouteille.
- Toujours changer la bouteille de gaz à l'extérieur, dans un endroit bien aéré. Ne jamais changer la bouteille de gaz à l'intérieur (exemples : sous-sol, garage, grange, remise, maison, galerie, etc.).
- Ne jamais retirer la bouteille de gaz avec le moteur en marche. Couper le moteur et le laisser refroidir avant de changer la bouteille de gaz.
- Les bouteilles de propane doivent être utilisées jusqu'à ce qu'elles soient complètement vides.
- **NE PAS RECHARGER LES BOUTEILLES DE PROPANE JETABLES.** Les bouteilles jetables peuvent exploser lorsqu'on les recharge.
- Ne pas fumer à proximité des bouteilles de gaz ou lorsqu'on les change.
- Laisser les vapeurs de carburant s'échapper de la zone avant de démarrer le moteur.
- Ne jamais changer la bouteille près d'appareils à veilleuse, réchauffeurs et autres sources d'inflammation.
- Toujours faire changer la bouteille de gaz par un adulte, jamais par un enfant.
- Ne jamais laisser une personne sous l'emprise de l'alcool ou de drogues changer des bouteilles de gaz.
- Ne pas placer de bouteilles de gaz dans un bagage ni les transporter en train ou en avion.
- Éliminer les bouteilles de propane vides comme il se doit. Consulter la réglementation en vigueur concernant l'élimination et le recyclage.
- Respecter toutes les mises en garde figurant sur la bouteille en plus des notes ci-dessus.

**BRÛLURES ET FEUX**

Le silencieux, le protège-silencieux et d'autres pièces du moteur deviennent extrêmement chauds durant la marche du moteur. Ces pièces restent très chaudes après l'arrêt du moteur.

**Prévention des brûlures et des incendies**

- En cas d'odeur de propane (odeur aigre d'œuf pourri), ne pas démarrer ni faire fonctionner le moteur. En cas d'accumulation de propane, quitter la zone immédiatement. Le cas échéant, appeler les pompiers pour assistance.
- Effectuer un contrôle visuel du réservoir de propane, du tuyau et des joints de raccords avant de raccorder la bouteille de propane au moteur. Ne pas raccorder une bouteille de propane qui est endommagée ou dont des joints manquent.
- Toujours débrancher le régulateur de la bouteille de propane avant le transport ou l'entreposage.
- Poser un capuchon protecteur sur la bouteille de propane lorsqu'elle n'est pas raccordée au moteur. Cela permet de

préserver la propreté de la soupape de la bouteille.

- Ne pas trop serrer la bouteille de propane en la raccordant à la conduite de carburant. Cela peut endommager le régulateur ou les joints de la bouteille de propane.
- Si des fuites de propane sont suspectées, contrôler avec de l'eau savonneuse sur les raccords. Si des bulles sont observées, contrôler et resserrer le raccord. Réparer toutes les fuites avant utilisation.
- Faire preuve de précaution pour manipuler le propane. Le propane est inflammable.
- Ne jamais démonter le protège-silencieux du moteur.
- Ne jamais toucher le protège-silencieux parce qu'il est extrêmement chaud et provoquerait des blessures graves.
- Ne jamais toucher des pièces du moteur qui deviennent chaudes après la marche.
- Toujours tenir tous matériaux et débris à l'écart du protège-silencieux et autres pièces chaudes du moteur pour écarter les risques de feu.

**ENTRETIEN**

- Toujours arrêter le moteur avant de s'éloigner de la machine et avant de la nettoyer, la réparer ou la contrôler. Le moteur doit être à l'arrêt et froid et le câble de bougie débranché de la bougie avant toute tentative de réparation ou de réglage. Ne jamais effectuer des réglages ou des réparations avec le moteur en marche. Débrancher le câble de bougie et le tenir loin de la bougie pour éviter tout démarrage accidentel.
- Toujours porter une protection oculaire pour effectuer des réglages ou des réparations.
- Lors de l'entretien ou des réparations, ne pas basculer ni retourner le moteur sauf sur instruction spécifique dans ce manuel. Les procédures d'entretien et de réparation peuvent se faire avec le moteur en position verticale. Certaines procédures sont plus faciles à effectuer si le moteur est sur une plateforme surélevée ou un plan de travail.
- Pour réduire le risque d'incendie, éviter toute accumulation de débris sur le moteur. Nettoyer les déversements d'huile ou de carburant. Laisser le moteur refroidir avant de ranger la machine.
- Arrêter et contrôler le matériel après avoir heurté un objet. Réparer, le cas échéant, avant de redémarrer.
- Nettoyer et remplacer les autocollants de sécurité et d'instruction comme il se doit.
- Pour protéger le moteur contre la surchauffe, s'assurer que la grille à débris du moteur est toujours en place et propre.
- Contrôler le moteur avant de ranger la machine. Lorsqu'il n'est pas utilisé, débrancher le câble de bougie et entreposer à l'intérieur dans un endroit sec verrouillé ou autrement inaccessible aux enfants.
- Utiliser exclusivement des pièces d'origine, y compris tous les écrous et boulons.

## AVANT L'UTILISATION

### Préparer le moteur au démarrage

1. Vérifier le niveau d'huile moteur (voir Contrôler d'huile moteur à la section Service après-vente, dépannage et réparation).
2. Visser une bouteille de propane jetable de 465 g (16,4 oz) dans le régulateur. Vérifier la bonne étanchéité de la bouteille.

**REMARQUE :** La taille correcte de la bouteille de propane jetable est d'environ 9,5 cm de diamètre. Toujours utiliser une bouteille de taille correcte et du type spécifié. L'utilisation d'une mauvaise bouteille de propane peut endommager le moteur. Il est conseillé d'avoir au moins une bouteille de propane jetable supplémentaire en réserve.

3. Placer la bouteille dans le porte-bouteille et l'attacher.

## DÉMARRAGE

1. Engager fermement le robinet marche/arrêt en position de marche (ON). Toujours vérifier l'absence de fuite avant utilisation.
2. En tenant le guidon de la main droite (machine en position verticale), saisir la poignée de démarrage et la tirer lentement jusqu'à sentir l'engagement du lanceur dans l'engrenage de lanceur, puis tirer vivement par pleines tractions du bras jusqu'à ce que le moteur démarre. Ne pas enfoncer la commande des gaz pour démarrer.

### **REMARQUE IMPORTANTE :**

Lors de la première utilisation d'une machine neuve ou après un entreposage de longue durée, 6 à 10 traction initiales peuvent être nécessaires pour amorcer le système. Après la première utilisation, 1 à 2 tractions devraient suffire pour démarrer.

### **REMARQUE IMPORTANTE :**

En cas d'utilisation par très grand froid, si la machine ne démarre pas sans enfoncer la commande des gaz, tenir la commande à son ouverture maximale et répéter la procédure de démarrage. Une fois que le moteur démarre, relâcher la commandes des gaz pour plus de sécurité.

### **REMARQUE IMPORTANTE :**

Si le moteur ne démarre pas par très grand froid, remplacer la bouteille de propane par une bouteille neuve qui a été entreposée dans un endroit chaud. Sinon, il est également possible d'amener la tarière dans un endroit chaud pour lui permettre de se réchauffer suffisamment pour démarrer.

### **REMARQUE IMPORTANTE :**

L'embrayage transfère un couple maximal au bout d'environ deux heures d'utilisation normale. Durant cette période de rodage, il peut arriver à l'embrayage de patiner. L'embrayage doit être exempt d'huile ou autre humidité pour fonctionner efficacement.

### **REMARQUE IMPORTANTE :**

Effectuer les forages sans appuyer le poids du corps sur la machine. La tarière fonctionne avec une efficacité maximale lorsqu'elle rabote la glace sous l'effet de son propre poids.

### **REMARQUE IMPORTANTE :**

NE PAS laisser le lanceur se rembobiner brutalement, mais ramener la poignée lentement jusqu'à sa position de repos.

## UTILISATION

1. Après avoir démarré le moteur, le laisser tourner au ralenti pendant au moins 30 secondes en préparation de son utilisation.
2. Mettre la tarière en place pour le trou à forer, la faire tourner à plein gaz et laisser le poids de la machine effectuer le travail en évitant d'appuyer dessus.
3. Une fois le forage terminé, mettre le robinet marche/arrêt en position d'arrêt (OFF).



### AVERTISSEMENT

- NE JAMAIS FAIRE FONCTIONNER LE MOTEUR À L'INTÉRIEUR. LES GAZ D'ÉCHAPPEMENT SONT MORTELS.
- NE PAS UTILISER LA TARIÈRE À GLACE POUR QUOI QUE CE SOIT D'AUTRE QUE LA GLACE.
- LE PROTÈGE-LAME DE LA TARIÈRE À GLACE DOIT ÊTRE FIXÉ À LA LAME DE LA TARIÈRE LORSQU'ELLE N'EST PAS UTILISÉE. CELA PROTÈGE LE TRANCHANT DES LAMES DE LA TARIÈRE À GLACE. ÉVITER LES BLESSURES! S'ASSURER QUE LA MACHINE EST EN POSITION STABLE AVANT DE TIRER SUR LA POIGNÉE DU LANCEUR.



### ATTENTION

- ÉVITER LES BLESSURES! SI LA MÈCHE DE TARIÈRE EST MONTÉE SUR LE MOTEUR, TOUTES LES PROTECTIONS DOIVENT ÊTRE SOLIDEMENT FIXÉES POUR ÉVITER LES BLESSURES GRAVES.
- ÉVITER LES BLESSURES! SI LE MOTEUR NE DÉMARRE PAS APRÈS AVOIR SUIVI LA PROCÉDURE DE DÉMARRAGE, COMMUNIQUER AVEC NOTRE SERVICE APRÈS-VENTE AU 800-345-6007 OU VISITER [WWW.GETESKIMO.COM](http://WWW.GETESKIMO.COM).
- ÉVITER LES BLESSURES! NE JAMAIS LAISSER LE MOTEUR EN MARCHÉ SANS SURVEILLANCE. L'ARRÊTER APRÈS CHAQUE UTILISATION.
- ÉVITER LES BLESSURES! NE JAMAIS PORTER LE BLOC MOTEUR ET LA TARIÈRE ENTRE DEUX FORAGES AVEC LE MOTEUR EN MARCHÉ.

## ENTRETIEN ET ENTREPOSAGE

### Entretien de la tarière

1. Le carter d'engrenages contient 115 g (4 oz) de graisse chargée à l'usine. Il est conseillé d'ouvrir le carter d'engrenages une fois par an pour contrôler le niveau de graisse. Compléter le niveau uniquement s'il est plus bas que le sommet des pignons. NE PAS TROP REMPLIR.
2. Maintenir tous les boulons, vis et écrous bien serrés.
3. Toujours remettre le protège-lame en place lorsque la tarière à moteur n'est pas utilisée.
4. Si l'efficacité de coupe diminue, arrêter le moteur et débrancher le câble de bougie. Vérifier soigneusement si le tranchant des couteaux présente des entailles ou des zones brillantes. Si c'est le cas, les couteaux doivent être réaffûtés ou changés.

### Entretien général

Voir toutes les opérations d'entretien de la tarière et du moteur dans le tableau d'entretien. Veiller à bien lire ce manuel en entier. Le respect de ces recommandations permettra de profiter de cette tarière à propane pendant de nombreuses années. Les contrôles courants et directives d'entretien qui suivent sont relativement simples à effectuer et nécessitent peu d'outils. En cas de doute sur la façon d'effectuer comme il se doit l'entretien préconisé, appeler le service après-vente ou s'adresser à un centre de réparation agréé.

**L'entretien, le remplacement et la réparation des dispositifs et systèmes de contrôle des émissions peuvent être effectués par tout mécanicien ou atelier de réparation de moteurs hors route. Toutefois, toutes les réparations sous garantie autorisées doivent être effectuées par un centre de réparation agréé.**

Le calendrier d'entretien s'applique à des conditions normales d'utilisation. Si le moteur est utilisé dans des conditions inhabituelles, notamment une exploitation soutenue sous forte charge ou température élevée ou des conditions exceptionnellement humides ou poussiéreuses, obtenir des conseils relatifs à ces besoins et emplois particuliers auprès du concessionnaire.



### AVERTISSEMENT

- **LORS DU CONTRÔLE OU DE L'ENTRETIEN DE TOUTE PARTIE DE LA TARIÈRE OU DU MOTEUR, TOUJOURS DÉBRANCHER LE CÂBLE DE BOUGIE ET LE PLACER DE CÔTÉ DE FAÇON À ÉVITER TOUT RISQUE D'ARC ÉLECTRIQUE AVEC LE PLOT DE LA BOUGIE.**



### ATTENTION

#### POUR ÉVITER LES DÉMARRAGES ACCIDENTELS :

- **ÉVITER LES BLESSURES! ARRÊTER LE MOTEUR, LE LAISSER REFROIDIR ET DÉBRANCHER LE CÂBLE DE BOUGIE DE LA BOUGIE AVANT TOUTE VÉRIFICATION OU TOUT RÉGLAGE DU MOTEUR OU DE LA MACHINE.**
- **ÉVITER LES BLESSURES! LA TEMPÉRATURE DU SILENCIEUX ET DES ZONES AVOISINANTES PEUT DÉPASSER 65 °C (150 °F). ÉVITER DE TOUCHER CES SURFACES.**
- **ÉVITER LES BLESSURES! VÉRIFIER LE SERRAGE DES ÉCROUS ET BOULONS DE LA TARIÈRE. LES GARDER BIEN SERRÉS.**
- **ÉVITER LES BLESSURES! L'ENTRETIEN ET LES RÉPARATIONS DU MOTEUR ET DE LA TARIÈRE DOIVENT TOUJOURS ÊTRE EFFECTUÉS PAR UN ADULTE.**
- **ÉVITER LES BLESSURES! ARRÊTER LE MOTEUR, LE LAISSER REFROIDIR ET DÉBRANCHER LE CÂBLE DE BOUGIE AVANT D'EFFECTUER TOUTE RÉPARATION OU TOUT ENTRETIEN.**

**REMARQUE :** Toutes les pièces de rechange doivent provenir de l'usine. Ne jamais utiliser de pièces de rechange qui ne sont pas spécifiquement conçues pour le moteur ou la tarière.

**REMARQUE :** Les extrémités du boulon doivent être au ras du collier de la tarière. La tête et le bout du filetage du boulon ne doivent jamais dépasser du collier de la tarière.

### Visserie

Toujours contrôler les écrous, les boulons, les vis et l'état général du moteur et de la tarière.

### Couteaux

Voir si le tranchant des couteaux présente des entailles ou des zones brillantes. Si c'est le cas, il est temps de changer les couteaux.

Voir si la pointe à glace présente des entailles ou des arêtes émoussées.

### Remplacement de la pointe à glace (VOIR FIGURE 1)

1. Retirer le protège-lame et les deux couteaux.
2. Retirer l'écrou et le boulon de retenue de la pointe.
3. À l'aide d'une pince étau, saisir et extraire la pointe. Si le support ne sort pas avec la pointe, l'enlever avec la pince.
4. Avec la pince étau, enfoncer la pointe neuve et le support en alignant le trou de boulon dans la pointe avec les trous dans l'arbre de tarière. NE PAS endommager l'extrémité de la pointe.

**REMARQUE :** Lors de la pose du support dans l'arbre de tarière, les bords du support peuvent se rogner.

5. Poser le boulon de retenue et le serrer avec l'écrou.
6. Remonter les deux couteaux et remettre le protège-lame en place.

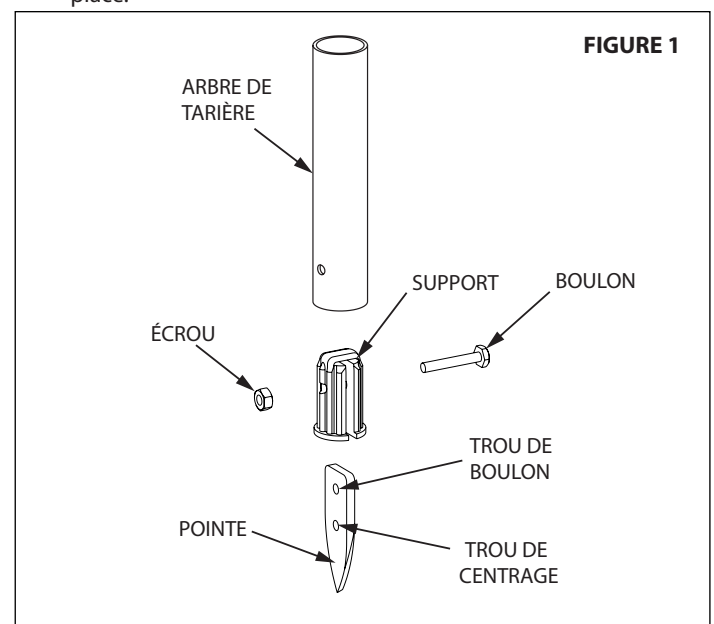
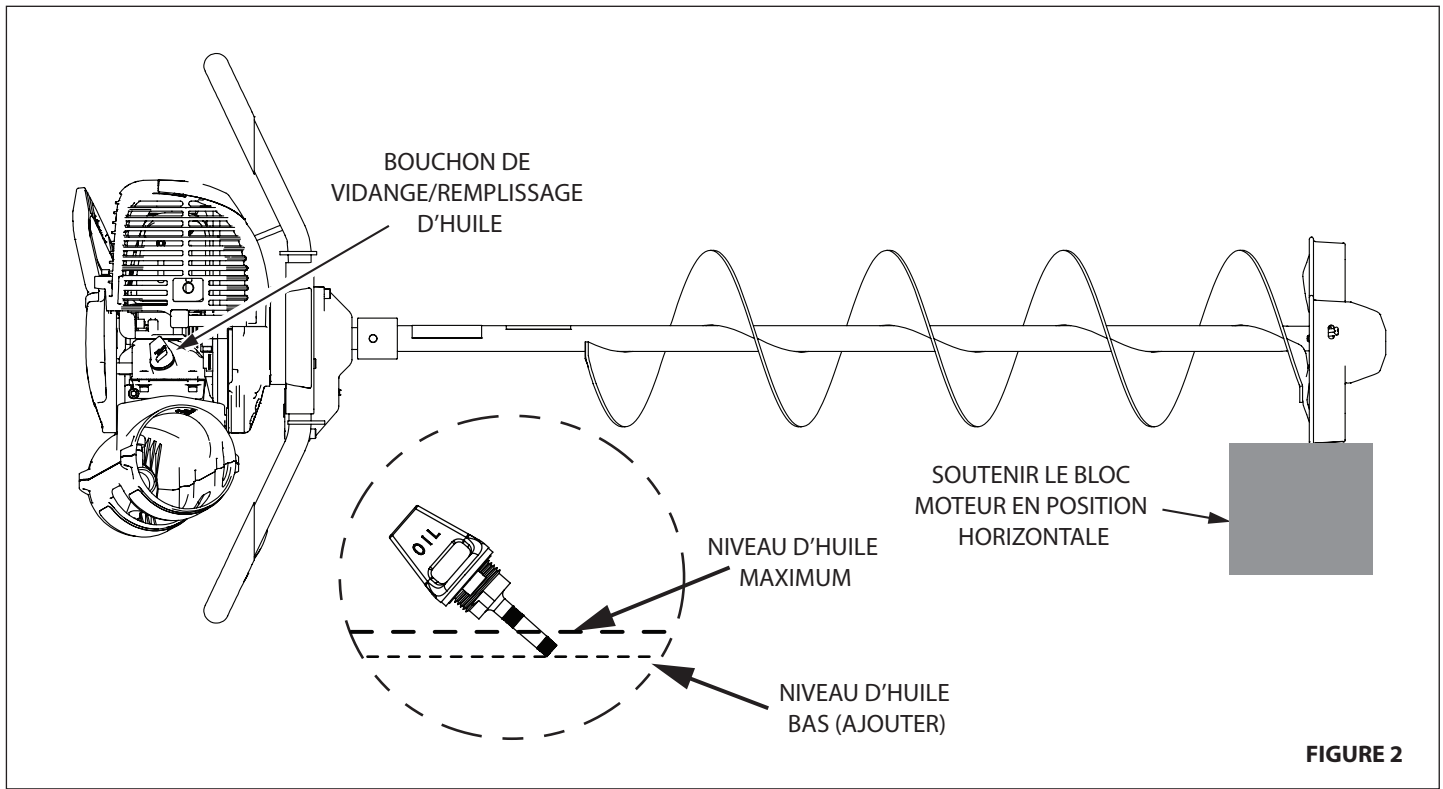


FIGURE 1





#### Contrôler l'huile moteur

1. Coucher la machine côté réservoir vers le bas, avec la tarière surélevée pour qu'elle soit horizontale. **VOIR FIGURE 2**
2. Dévisser la jauge d'huile, l'essuyer avec un chiffon et la revisser à fond.
3. Ressortir la jauge d'huile et observer où se trouve le niveau d'huile. Si l'huile est entre les repères hachurés, le niveau d'huile est suffisant. Si le niveau est en dessous des repères hachurés, ajouter de l'huile. Si le niveau est au-dessus des repères hachurés, retirer de l'huile.

#### Changer l'huile moteur

1. Retirer la jauge d'huile de la machine.
2. Tourner la machine sur le côté et vidanger toute l'huile hors de la machine dans un récipient homologué.
3. Avec toute l'huile extraite de l'appareil, versez de l'huile 0W-40 dans le carter moteur jusqu'à ce que le niveau d'huile se situe entre les marques de hachage de la jauge. Si l'huile est en dessous des marques de hachage, ajoutez de l'huile, si elle est au-dessus des marques de hachage, retirez-la.
4. Remettre la jauge d'huile en place.

**REMARQUE IMPORTANTE :** Ne pas trop remplir la machine d'huile. Cela pourrait provoquer des dommages à l'intérieur du moteur.

**REMARQUE IMPORTANTE :** La machine est fournie avec de l'huile synthétique 0W-40 prête à l'emploi; cette huile doit être versée dans le moteur avant la première utilisation. Il est conseillé d'utiliser une huile de bonne qualité avec ce moteur au propane de haute compression et il est important d'utiliser l'huile préconisée pour faciliter les démarrages à froid et éviter une usure prématurée du moteur.

#### Nettoyer les saletés de la machine

- Pour que le moteur puisse refroidir, il est important qu'il n'y ait pas de débris sur les ailettes de refroidissement.
- Éviter tous débris sur le volant d'inertie pour permettre une circulation d'air suffisante à travers les ailettes du moteur.
- Utiliser de l'air comprimé, un aspirateur ou une brosse pour nettoyer les débris du moteur.

#### Contrôler le filtre à air

- Il est conseillé de contrôler le filtre à air avant chaque utilisation.
- L'élément filtrant doit être nettoyé et exempt de particules ou de débris pour que le moteur fonctionne bien et pour le protéger contre les dommages.
- Si le filtre est sale, il doit être nettoyé ou, le cas échéant, il doit être changé.

#### Nettoyer le filtre à air

1. Laver le filtre à air dans de l'eau tiède avec du détergent doux pour éliminer toute la saleté et les débris. Presser le filtre durant le nettoyage, ne pas le tordre.
2. Rincer à l'eau tiède jusqu'à éliminer toute trace de détergent.
3. Pour sécher le filtre, le presser avec un chiffon ou une serviette puis le laisser sécher à l'air jusqu'au lendemain.
4. Remonter le filtre dans son logement et vérifier qu'il est bien en place.

### Contrôler la bougie d'allumage

- Débrancher le câble de bobine d'allumage de la bougie et nettoyer les débris du pourtour de la bougie.
- Retirer la bougie et voir si elle présente le défauts suivants : électrode piquée, électrode brûlée, porcelaine fissurée ou dépôts de calamine autour des électrodes.
- Changer la bougie si elle présente l'un quelconque de ces problèmes.
- Avant de remonter la bougie, vérifier que son écartement est de 0,61 mm (0,024 po), puis la serrer à un couple de 9,8 à 11,8 Nm (7,2 à 8,7 pi-lb).

**REMARQUE : Une bougie mal serrée peut surchauffer et endommager le moteur. Un serrage excessif de la bougie peut endommager le filetage de la culasse.**

### Contrôler le jeu des soupapes

- Le jeu des soupapes doit être de 0,10 à 0,18 mm (0,004 à 0,007 po), sinon il doit être ajusté.

**REMARQUE : Contrôler le jeu des soupapes à la température ambiante avec le piston au point mort haut de sa course de compression.**

### Contrôler les conduites d'huile et de ventilation du carter

- En raison des constants cycles de chauffage, il est important de contrôler la conduite d'huile (la conduite noire entre le carter d'huile et le couvercle de soupapes) pour vérifier l'absence de craquellement, de décomposition ou de fissuration.
- La conduite de ventilation du carter est placée entre le capot d'arbre à cames sous le lanceur et le logement de filtre à air. Vérifier que la conduite n'est pas craquelée, fissurée, décomposée ou pleine d'humidité ou d'huile.

### Contrôler raccords sur la conduite de gaz

- Pour permettre une utilisation en toute sécurité de cette

machine au propane, l'état d'usure et l'étanchéité de la conduite de gaz doivent être contrôlés régulièrement.

- Pour détecter les fuites, vaporiser de l'eau savonneuse sur les raccords; l'apparition de bulles indique la présence d'une fuite. Une odeur d'œuf pourri est également l'indication d'une fuite.
- En cas de fuite, utiliser un produit d'étanchéité pour filetage compatible avec le GPL ou commander des pièces de rechange.
- Ne pas utiliser la tarière avant d'avoir réparé la fuite.

### Transporter la tarière à glace

- Ne jamais transporter le moteur à l'intérieur d'un espace ou véhicule fermé. Les vapeurs de carburant peuvent s'enflammer et provoquer des blessures graves ou la mort.
- Ne pas entreposer la tarière avec la bouteille de propane attachée. Toujours débrancher le régulateur de la bouteille de propane pour le transport ou l'entreposage.
- Le bloc moteur HC40 est un moteur toute position. Le bloc moteur peut être couché sur tout côté pendant de courtes durées. Ne pas entreposer la machine tête en bas. Pour les entreposages de longue durée, placer la machine verticalement en position d'utilisation ou avec la bougie vers le haut. L'huile peut migrer avec le temps. De petites fuites d'huile sont possibles avec le temps. Vérifier le niveau d'huile avant chaque utilisation.

### Entreposage de longue durée

**REMARQUE : Si la tarière à glace ne doit pas être utilisée pendant un mois ou plus, la préparer pour l'entreposage de longue durée.**

- Retirer la tarière du bloc moteur et enduire l'arbre de sortie d'une fine couche de graisse.
- Toujours entreposer le moteur avec la bougie en haut.
- Éliminer tous débris de la tarière et du bloc moteur.
- Attacher le protège-lame au bas de la tarière.

OPÉRATION D'ENTRETIEN	AVANT CHAQUE UTILISATION	10 HEURES	50 HEURES	SAISONNIER
Vérifier le serrage de la visserie (écrous, boulons, vis)	X			
Contrôler les couteaux et la pointe	X			
Contrôler l'huile moteur	X			
Changer l'huile moteur		X		X
Nettoyer les saletés de la machine	X			
Contrôler le filtre à air	X			
Nettoyer le filtre à air		X		X
Contrôler la bougie d'allumage				X
Changer la bougie			X	
Contrôler le jeu des soupapes		X		X
Contrôler les conduites d'huile et de ventilation du carter		X		X
Contrôler raccords sur la conduite de gaz	X			

## SERVICE APRÈS-VENTE, DÉPANNAGE ET RÉPARATION

### Informations concernant l'entretien

Chez Ardisam, nous intégrons la qualité et la durabilité dans la conception de nos produits; mais toute la conception soignée et tout l'entretien attentionné ne sauraient garantir une existence totalement exempte de réparation de ce produit. La majorité des problèmes sont mineurs et aisément résolus en suivant les indications du guide de dépannage de cette section.

Ce guide aide à diagnostiquer les causes des problèmes les plus courants et à identifier leurs solutions.

Pour les réparations plus compliquées, il est préférable de s'adresser au détaillant ou à un centre de réparation autorisé (obtenir la liste des mécaniciens autorisés dans la région auprès du revendeur).

Une liste des pièces détachées est fournie sur notre site web, [www.GetEskimo.com](http://www.GetEskimo.com).

Nous sommes toujours heureux de répondre à toute question ou d'aider à trouver l'assistance nécessaire. Pour commander des pièces ou se renseigner sur la garantie, communiquer avec nous par téléphone ou par courrier à l'adresse indiquée à la page suivante, sous la section « Commander des pièces de rechange ».



### **ATTENTION**

**ÉVITER LES BLESSURES! NE PAS TENTER DE DÉMARRER LE MOTEUR À L'AIDE DE LIQUIDE DE DÉMARRAGE.**

**ÉVITER LES BLESSURES! NE PAS PULVÉRISER DE LIQUIDES OU VAPEURS INFLAMMABLES DANS L'ÉPURATEUR D'AIR, LE CARBURATEUR OU LE LOGEMENT DE BOUGIE.**

**ÉVITER LES BLESSURES! NE PAS RETIRER LA BOUGIE ET TIRER SUR LE CORDON DU LANCEUR. DU CARBURANT PEUT GICLER ET ÊTRE ENFLAMMÉ PAR UNE ÉTINCELLE DE LA BOUGIE.**

## DÉPANNAGE ET RÉPARATION

PROBLÈME	CAUSE POSSIBLE	SOLUTION / MESURE CORRECTIVE
Le moteur ne démarre pas	1. Robinet marche/arrêt fermé	1. Mettre en position de marche ( <b>ON</b> )
	2. Câble de bougie débranché	2. Brancher le câble sur la bougie
	3. Panne de carburant	3. Refaire le plein
	4. Bougie humide, défectueuse ou d'écartement incorrect	4. Nettoyer, changer ou régler la bougie
Le moteur a des ratés, se noie durant la marche	1. Filtre à air sale	1. Nettoyer ou changer le filtre à air
	2. Carburateur déréglé	2. Consulter un centre de réparation agréé
Le moteur est difficile à démarrer	1. Trop d'huile dans le cylindre	1. Retirer la bougie et nettoyer l'huile de la bougie et du cylindre
	2. Carburant trop froid	2. Remplacer la bouteille de gaz par une bouteille qui a été entreposée dans un endroit chaud
	3. Moteur trop froid	3. Amener le moteur dans un endroit chaud pour le réchauffer
Le moteur a des ratés ou manque de puissance	1. Bobine d'allumage défectueuse	1. S'adresser à un centre de réparation agréé
	2. Carburateur déréglé	2. S'adresser à un centre de réparation agréé
La tarière tourne au ralenti	1. Régime de ralenti trop élevé	1. Baisser le régime de ralenti
	2. Ressort d'embrayage cassé	2. Changer les deux ressorts
La tarière tourne, mais sans force	1. Carburateur déréglé	1. Consulter un centre de réparation agréé
	2. Réducteur cassé	2. Consulter un centre de réparation agréé
	3. Patins d'embrayage usés	3. Changer les patins et ressorts d'embrayage
La tarière saute sur la glace	1. Les lames sont endommagées ou mal aiguisées	1. Remplacer par des couteaux neufs
La tarière fore lentement	1. Couteaux émoussés	1. Remplacer par des couteaux neufs
	2. Pointe endommagée	2. Remplacer par une pointe neuve

Communiquer avec le service de réparation si les solutions ci-dessus ne résolvent pas le problème ou visiter notre site web à [www.GetEskimo.com](http://www.GetEskimo.com) pour consulter la foire aux questions.

## COMMANDER DES PIÈCES DE RECHANGE

Les pièces peuvent s'obtenir dans le magasin où le produit a été acheté ou en appelant le service après-vente Ardisam au numéro indiqué ci-dessous. Pour commander auprès de l'usine, appeler, envoyer un courriel ou commander en ligne à [www.GetEskimo.com](http://www.GetEskimo.com) :

Eskimo®  
 Une division d'Ardisam, Inc.  
**1-800-345-6007**  
**Courriel : [info@geteskimo.com](mailto:info@geteskimo.com)**

Veiller à inclure la référence des pièces, la description des pièces, la quantité, le numéro de modèle et le numéro de série.

# ESKIMO TARIÈRES À GLACE À MOTEUR

## Modalités et conditions de la garantie

### GARANTIE PRODUIT : GARANTIE LIMITÉE 5 ANS

Ardisam, Inc. (Ardisam) une entreprise de fabrication, garantit ce produit pièces et main-d'œuvre pendant une durée de cinq ans à compter de la date d'achat. En cas de preuve insuffisante de la date d'achat, le début de la période de garantie sera la date de fabrication de la tarière. Durant la période de garantie de cinq ans de ce produit, Ardisam fournira, à son entière discrétion, les pièces et la main-d'œuvre nécessaires pour corriger toute défaillance résultant de défauts de matériel ou de fabrication. La réparation, quelle qu'en soit la nature, ne saurait en aucun cas être supérieure au montant du prix d'achat du produit. Ardisam se réserve le droit de contrôler à la réception tous les articles renvoyés sous garantie pour déterminer si la garantie s'applique avant de procéder à toute intervention en rapport avec la garantie (y compris les pièces et composants). Tout article utilisé dans le cadre d'une activité commerciale ou générant du revenu est couvert pendant une durée de 90 jours après l'achat. Cette garantie s'applique au propriétaire initial disposant d'un justificatif d'achat et n'est pas transférable. Pour que la garantie soit valable, le produit doit être enregistré en ligne ou la carte de garantie doit être remplie et reçue par Ardisam dans les 30 jours après l'achat. La présente garantie exclut les tarières qui présentent des dommages ou défaillances liés à l'usure normale, les pièces d'usure telles que les câbles, patins d'embrayage, cordon élastique de protège-lame, lames et pointes à glace, les articles d'entretien courant tels que les éléments filtrants, joints toriques, joints d'étanchéité et lubrifiants, les mises au point, la marche du moteur avec du carburant autre que du mélange (sans huile) ou du mélange de proportion incorrecte, l'utilisation de la tarière à moteur à des fins autres que celles pour lesquelles elle a été conçue et fabriquée, l'utilisation de la tarière à moteur en infraction avec les codes et réglementations en vigueur et les bonnes pratiques commerciales. \*Ces garanties s'appliquent uniquement à des produits qui n'ont pas subi une utilisation négligente, abusive ou détournée, une surcharge, une installation incorrecte, une altération, un accident, une catastrophe naturelle (ou autres événements échappant au contrôle d'Ardisam), du vandalisme, des pièces non homologuées, l'utilisation de carburant et d'huile incorrects, un entretien inapproprié ou des réparations effectuées par un service de réparation non agréé. Ces garanties ne couvrent pas les dommages liés à l'usure normale, aux pièces et services d'entretien normaux, ni une installation, une exploitation, un entreposage ou un entretien incorrects; ni une exploitation du matériel au-delà des maxima recommandés tels qu'ils figurent dans le présent manuel. Ces garanties remplacent toutes les autres garanties expresses ou implicites et toutes les autres obligations ou responsabilités de la part d'Ardisam. Ardisam n'assume aucune responsabilité, et n'autorise personne à assumer au nom d'Ardisam une quelconque responsabilité, en rapport avec la vente des produits Ardisam. **Pour être effectués « sans frais », les travaux sous garantie doivent être confiés directement à Ardisam ou à un centre de service de garantie Ardisam.** Pour recourir aux services de réparation ou de remplacement sous garantie, s'adresser au service après-vente d'Ardisam au 800-345-6007. Avant d'envoyer le produit à Ardisam pour une réparation sous garantie, l'accord préalable d'Ardisam doit être obtenu en appelant notre service après-vente pour recevoir un numéro d'autorisation de renvoi de matériel (RMA#). Sous ces circonstances, tous les articles doivent être envoyés en port payé. Ardisam, à son entière discrétion, réparera ou remplacera sans frais toute pièce défectueuse qui remplit les conditions énoncées ci-dessus. Ardisam se réserve le droit de modifier les modèles, les caractéristiques et les prix sans préavis. Ardisam n'est sous aucune obligation d'expédier un produit réparé ou échangé à une quelconque adresse en dehors des États-Unis d'Amérique et du Canada. Certains pays et provinces n'autorisent pas la limitation de la durée d'une garantie implicite, ni l'exclusion ou la limitation des dommages indirects ou accessoires, par conséquent les limites ci-dessus peuvent ne pas s'appliquer à vous. La présente garantie vous accorde des droits juridiques particuliers et vous pouvez jouir d'autres droits susceptibles de varier d'une province ou d'un pays à l'autre.

#### ESKIMO®

Une division d'Ardisam, Inc.  
1160 Eighth Avenue; P.O. Box 666  
Cumberland, Wisconsin 54829  
1-800-345-6007 · Télécopie (715) 822-4180  
Courriel : info@geteskimo.com



#### IMPORTANT

**L'UTILISATION DE VOTRE TÊTE ET / OU DE LA TARIÈRE POUR ALIMENTER OU UTILISER TOUT PRODUIT OU APPAREIL FABRIQUÉ PAR UNE ENTITÉ OU UN INDIVIDU AUTRE QUE ARDISAM, INC. ANNULERA VOTRE GARANTIE ET RENONCE À TOUTE RÉCLAMATION DE RESPONSABILITÉ CONTRE ARDISAM, INC.**



## Modalités et conditions de la garantie

### **GARANTIE LIMITÉE MOTEUR VIPER DE 5 ANS D'ARDISAM POUR LES MOTEURS DE MOINS DE 79 CC FABRIQUÉS APRÈS LE 01.04.2016**

Ardisam, Inc. (Ardisam) couvre ce moteur par une garantie limitée de cinq ans pièces et main-d'œuvre pendant une durée maximale de soixante mois consécutifs à compter de la date de l'achat initial par le premier acheteur au détail ou utilisateur commercial. L'« usage grand public » fait référence à une utilisation personnelle à des fins récréatives par un acheteur au détail. L'« usage commercial », ou « application commerciale », correspond à toutes les autres utilisations, notamment à des fins commerciales, lucratives ou de location. Une fois que le produit a fait l'objet d'un usage commercial, il sera toujours considéré par la suite comme étant un produit à usage commercial pour les besoins de la garantie. Cette garantie s'applique au propriétaire original qui fournit une preuve d'achat. La présente garantie n'est pas transférable. La période de garantie débute à la date d'achat par le premier acheteur au détail ou utilisateur commercial et s'étend ensuite sur une durée de soixante mois consécutifs. Tout article utilisé dans le cadre d'une activité commerciale est couvert pendant une durée de 90 jours après l'achat par le premier utilisateur commercial. Pour que la garantie soit valable, le produit doit être enregistré en ligne dans les 30 jours après l'achat ou la carte de garantie doit être remplie et reçue par Ardisam dans les 30 jours après l'achat. Ardisam n'est sous aucune obligation d'assumer des frais de transport liés à une réparation ou un échange en vertu de la présente garantie. L'acheteur assume l'entière responsabilité des frais de transport.

La présente garantie exclut les pièces usées ou endommagées suite à une usure normale, notamment les bougies d'allumage, cordons de lanceur, filtres à carburant et roulements. Les articles d'entretien courant tels que les éléments filtrants, joints toriques, joints d'étanchéité, lubrifiants et mises au point sont également exclus. La décoloration naturelle ou l'écaillage liés à une détérioration normale causée par les intempéries, l'eau de mer et les produits chimiques sont également exclus. Les pots d'échappement non catalytiques sont garantis pendant un an. Pour tous pots catalytiques, se reporter à la garantie sur le contrôle des émissions contenue dans l'emballage de vente au détail.

La présente garantie limitée s'applique aux défauts de pièces et main-d'œuvre du moteur seulement. La présente garantie ne s'applique pas au produit sur lequel le moteur est monté. La présente garantie s'applique exclusivement aux moteurs n'ayant pas fait l'objet d'emploi détourné, notamment mais sans s'y limiter fonctionnement du moteur avec une huile en quantité insuffisante, sale ou de viscosité incorrecte, utilisation d'essence contenant plus de 10 % d'éthanol, essence sale, aspiration de saleté en raison d'un filtre à air mal entretenu ou mal installé, vibrations excessives provoquant un desserrage de la visserie, déséquilibre de pièces attachées au vilebrequin, utilisations autres que celles indiquées dans le manuel du moteur, modification, accident, utilisation de pièces non autorisées, manquement à effectuer l'entretien régulier indiqué dans le manuel du moteur, usure normale, utilisation de pièces non autorisées ou réparations effectuées ailleurs que dans un centre de réparation agréé. Les pièces appliquées à l'extérieur du moteur telles que les embrayages, poulies et pièces d'engagement de courroie sont couvertes par la garantie du produit sur lequel le moteur est monté. Les défaillances liées à une obstruction de l'écoulement d'air du moteur notamment par la saleté, l'herbe ou des nids de rongeurs provoquant une surchauffe sont exclues. Toutes les pièces indiquées dans la « Garantie sur le contrôle des émissions » figurant dans le présent manuel sont sujettes aux termes de cet accord et ne sont pas incluses dans la présente garantie. Il n'existe aucune autre garantie expresse. Les garanties implicites, y compris celles de qualité marchande et d'adaptation à un emploi particulier, sont limitées à un an à compter de la date d'achat ou dans la mesure prévue par la loi. Toutes les autres garanties implicites sont exclues. La responsabilité de dommages indirects ou accessoires est exclue dans la mesure où l'exclusion est autorisée par la loi. Ardisam n'assume aucune responsabilité, et n'autorise personne à assumer au nom d'Ardisam une quelconque responsabilité, en rapport avec la vente des produits Ardisam. Pour être effectués « sans frais », les travaux sous garantie doivent être confiés directement à Ardisam ou à un centre de service de garantie Ardisam. Pour recourir aux services de réparation ou de remplacement sous garantie, s'adresser au service après-vente d'Ardisam au 800-345-6007. Avant d'envoyer le produit à Ardisam pour une réparation sous garantie, l'accord préalable d'Ardisam doit être obtenu en appelant notre service après-vente pour recevoir un numéro d'autorisation de renvoi de matériel (RMA#). Sous ces circonstances, tous les articles doivent être envoyés en port payé. Ardisam, à son entière discrétion, réparera ou remplacera sans frais toute pièce défectueuse à laquelle s'applique la présente garantie. Ardisam se réserve le droit de modifier les modèles, les caractéristiques et les prix sans préavis. Ardisam n'est sous aucune obligation d'expédier un produit réparé ou échangé à une quelconque adresse en dehors des États-Unis d'Amérique et du Canada. Certains pays et provinces n'autorisent pas la limitation de la durée d'une garantie implicite, ni l'exclusion ou la limitation des dommages indirects ou accessoires, par conséquent les limites ci-dessus peuvent ne pas s'appliquer à vous. La présente garantie vous accorde des droits juridiques particuliers et vous pouvez jouir d'autres droits susceptibles de varier d'une province ou d'un pays à l'autre.



## GARANTIE LIMITÉE DE 2 ANS SUR LE CONTRÔLE DES ÉMISSIONS

### DÉCLARATION FÉDÉRALE DE GARANTIE SUR LE CONTRÔLE DES ÉMISSIONS

#### VOS DROITS ET OBLIGATIONS EN VERTU DE LA GARANTIE

L'United States Environmental Protection Agency (EPA) et Ardisam, Inc. (Ardisam) sont heureuses d'expliquer la garantie du système de contrôle des émissions équipant votre petit moteur non routier (PMNR). Les petits moteurs non routiers (PMNR) neufs doivent être conçus, construits et équipés de manière à se conformer aux strictes normes antipollution du gouvernement fédéral. Ardisam garantit le système de contrôle des émissions sur votre moteur pendant les périodes indiquées ci-dessous à condition qu'il n'ait eu aucun emploi abusif, négligence, modification ni entretien inapproprié du moteur.

Le système de contrôle des émissions comprend tous les composants dont la défaillance augmenterait les émissions de tout polluant réglementé. Ces composants figurent dans la liste des pièces en rapport avec les émissions, dans une section suivante de la présente déclaration de garantie sur le contrôle des émissions. Dans une situation couverte par la garantie, Ardisam réparera votre moteur sans frais de diagnostic, de pièces de rechange et de main d'œuvre.

#### COUVERTURE DE LA GARANTIE DU FABRICANT :

Le système de contrôle des émissions est garanti pendant deux ans. Si, durant cette période de garantie, une pièce quelconque du moteur en rapport avec les émissions s'avère présenter un défaut de pièce ou de main-d'œuvre, un centre de service de garantie Ardisam procédera aux réparations ou au remplacement.

#### RESPONSABILITÉS DU PROPRIÉTAIRE/DE L'ACHETEUR :

En tant qu'acheteur/propriétaire du petit moteur non routier (PMNR), vous êtes responsable d'exécuter toute l'entretien requis tel qu'indiqué dans le ou les manuels fournis par l'usine. Pour les besoins de la garantie, Ardisam recommande de conserver tous les reçus couvrant l'entretien du PMNR. Toutefois, Ardisam ne peut refuser la garantie sur la seule base de l'absence de reçus ou d'un manquement à assurer l'exécution de toutes les opérations d'entretien prévues.

En tant qu'acheteur/propriétaire du PMNR, sachez toutefois qu'Ardisam peut refuser toute couverture de garantie ou responsabilité si la défaillance du PMNR ou d'une de ses pièces/composantes est le résultat d'une utilisation abusive, d'une négligence, d'un entretien ou de modifications inappropriés ou de l'utilisation de pièces de contrefaçon et/ou du « marché gris » non fabriquées, fournies ni autorisées par Ardisam.

Vous avez pour responsabilité de présenter le PMNR à un centre de service de garantie Ardisam dès l'apparition d'un problème. Les réparations sous garantie seront effectuées dans un délai raisonnable ne dépassant pas 30 jours.

Le service sous garantie peut être programmé en contactant soit votre revendeur, soit un centre de service de garantie Ardisam. Pour trouver le centre de service de garantie Ardisam le plus proche, appelez notre numéro sans frais :

**Centre de service de garantie Ardisam :**  
**800-345-6007**

**REMARQUE IMPORTANTE :** La présente déclaration de garantie explique vos droits et obligations en vertu de la garantie du système de contrôle des émissions (Garantie ECS), qui vous est fournie par Ardisam selon la loi fédérale. Consultez également la « Garantie produit » Ardisam (garanties ne concernant pas les émissions), ci-jointe sur une feuille séparée ou figurant dans la documentation additionnelle accompagnant ce produit. La garantie ECS s'applique uniquement au système de contrôle des émissions de votre nouveau moteur. En cas de conflit entre les modalités de la garantie ECS et de la garantie Ardisam, la garantie ECS s'applique sauf dans les cas où la garantie Ardisam offrirait une période de garantie plus longue. La garantie ECS et la garantie Ardisam décrivent toutes deux des droits et obligations importants concernant votre nouveau moteur.

Le service sous garantie peut être effectué uniquement par un centre de service de garantie Ardisam. Lors de la demande d'un service sous garantie, des preuves doivent être présentées indiquant la date de la vente à l'acheteur ou au propriétaire initial. L'acheteur/propriétaire est responsable de tous frais ou autres charges associés aux interventions et au transport du produit à destination ou en provenance de centres de contrôle ou de réparation. L'acheteur/propriétaire est également responsable de tous les dommages ou toutes les pertes subis durant le transport ou l'expédition du moteur pour contrôle ou réparation sous garantie.

#### POUR TOUTE QUESTION CONCERNANT VOS DROITS ET OBLIGATIONS EN VERTU DE LA GARANTIE, CONTACTEZ ARDISAM À L'ADRESSE SUIVANTE :

Ardisam, Inc.  
1160 Eighth Avenue; P.O. Box 666  
Cumberland, Wisconsin 54829  
800-345-6007 · Télécopieur (715) 822-4180

## II. GARANTIE DU SYSTÈME DE CONTRÔLE DES ÉMISSIONS

Garantie du système de contrôle des émissions (garantie ECS) pour l'équipement utilisant des petits moteurs non routiers :

- (1) Applicabilité : La présente garantie s'applique à l'équipement qui utilise des petits moteurs non routiers. La période de garantie ECS débute à la date à laquelle le nouveau moteur ou équipement est acheté par/livré à son acheteur/propriétaire d'origine et s'étend sur les 24 mois consécutifs suivants.
- (2) Couverture générale de la garantie sur les émissions : Ardisam garantit à l'acheteur/propriétaire d'origine du nouveau moteur ou équipement et à chaque acheteur/propriétaire suivant que chacun de ses moteurs est...
  - (a) Conçu, construit et équipé pour se conformer à tous les règlements applicables adoptés par l'EPA en vertu de leur autorité respective ; et

- (b) Exempt de tout vice de matériau et de fabrication qui, à tout moment pendant la durée de la garantie ECS, peut faire qu'une pièce garantie en rapport avec les émissions n'est pas identique en tous points à la pièce décrite dans la demande de certification du fabricant du moteur.

La garantie ECS ne s'applique qu'aux pièces en rapport avec les émissions sur votre moteur, comme suit :

- (1) Toute pièce garantie en rapport avec les émissions dont le changement n'est pas prévu en vertu du calendrier d'entretien (figurant dans la section sur l'entretien des manuels) est garantie pendant la période de la garantie ECS. En cas de défaillance d'une telle pièce durant la période de la garantie ECS, la pièce sera réparée ou échangée par Ardisam suivant le paragraphe (4) ci-dessous. Toute pièce ainsi réparée ou échangée en vertu de la garantie ECS est garantie pendant le reste de la période de garantie ECS.
- (2) Toute pièce en rapport avec les émissions dont seul un contrôle régulier est prévu en vertu du calendrier d'entretien (figurant dans la section sur l'entretien des manuels) est garantie pendant la période de la garantie ECS. Un énoncé dans ces instructions écrites du type « réparer ou changer comme il se doit » n'aura pas pour effet de réduire la période de garantie ECS. Toute pièce ainsi réparée ou échangée en vertu de la garantie ECS est garantie pendant le reste de la période de garantie ECS.
- (3) Toute pièce en rapport avec les émissions dont le changement est prévu en vertu du calendrier d'entretien (figurant dans la section sur l'entretien des manuels) est garantie pendant la période qui précède le premier point de changement prévu de cette pièce. En cas de défaillance de la pièce avant le premier changement prévu, la pièce sera réparée ou échangée par Ardisam suivant le paragraphe (4) ci-dessous. Toute pièce en rapport avec les émissions réparée ou échangée en vertu de la garantie ECS est garantie pendant le reste de la période de garantie ECS jusqu'au premier point de changement prévu de cette pièce en rapport avec les émissions.
- (4) La réparation ou l'échange de toute pièce en rapport avec les émissions garantie en vertu de la présente garantie ECS seront effectués sans frais pour le propriétaire par un centre de service de garantie Ardisam.
- (5) Lors du contrôle du moteur par un centre de service de garantie Ardisam, le propriétaire n'est pas tenu responsable des coûts de diagnostic si la réparation est jugée couverte par la garantie.
- (6) Ardisam sera responsable des dommages aux autres pièces d'origine du moteur ou des modifications approuvées qui sont liés par leur proximité à une défaillance sous garantie de toute pièce en rapport avec les émissions couverte par la garantie ECS.
- (7) Durant toute la période de garantie ECS, Ardisam maintiendra des stocks suffisants de pièces garanties en rapport avec les émissions afin répondre à la demande attendue de ces pièces en rapport avec les émissions.
- (8) Toute pièce de rechange en rapport avec les émissions homologuée et approuvée par Ardisam peut être utilisée pour l'entretien ou les réparations sous garantie ECS et doit être fournie sans frais pour l'acheteur/le propriétaire. Un tel emploi ne réduit en rien les obligations d'Ardisam en vertu de la garantie ECS.

- (9) Des pièces non homologuées, ajoutées, modifiées, contrefaites ou de « marché gris » ne peuvent pas être utilisées pour modifier ou réparer un moteur Ardisam. Un tel emploi annule la présente garantie ECS et peut justifier le rejet d'une réclamation au titre de la garantie ECS. Ardisam décline toute responsabilité en vertu des présentes pour des défaillances de toute pièce garantie de moteur Ardisam causées par l'emploi d'une telle pièce non homologuée, ajoutée, modifiée, de contrefaçon ou de « marché gris ».

### **LES PIÈCES EN RAPPORT AVEC LES ÉMISSIONS SONT LES SUIVANTES (LE CAS ÉCHÉANT) :**

- (1) Système de dosage du carburant
  - (i) Carburateur et pièces internes (et/ou régulateur de pression ou système d'injection).
  - (ii) Système de retour et de régulation du mélange air/carburant.
  - (iii) Système d'enrichissement de démarrage à froid.
  - (iv) Réservoir de carburant.
- (2) Système d'admission d'air
  - (i) Système de prise d'air chaud contrôlé.
  - (ii) Collecteur d'admission.
  - (iii) Filtre à air.
- (3) Système d'allumage
  - (i) Bougies d'allumage.
  - (ii) Système d'allumage électronique ou par magnéto.
  - (iii) Système d'avance/retard à l'allumage.
- (4) Système de recirculation des gaz d'échappement (RGE)
  - (i) Corps de soupape RGE et entretoise de carburateur le cas échéant.
  - (ii) Système de retour et de régulation du taux RGE.
- (5) Système d'injection d'air
  - (i) Pompe à air ou vanne à impulsion.
  - (ii) Vannes de répartition du flux d'air.
  - (iii) Collecteur de distribution.
- (6) Système de catalyseur ou de réacteur thermique
  - (i) Convertisseur catalytique.
  - (ii) Réacteur thermique.
  - (iii) Collecteur d'échappement.
- (7) Mécanismes de contrôle des particules
  - (i) Pièges, filtres, précipitateurs et tout autre dispositif utilisé pour capturer les émissions de particules.
- (8) Articles divers utilisés dans les systèmes ci-dessus
  - (i) Commandes électroniques.
  - (ii) Vannes et contacteurs à commande par dépression, température et durée.
  - (iii) Tuyaux, courroies, connecteurs et assemblages.



Eskimo™, Division d'Ardisam, Inc.  
1160 8th Avenue, PO Box 666  
Cumberland, WI 54829  
800-345-6007 | Télécopieur 715-822-2223  
Courriel : [info@geteskimo.com](mailto:info@geteskimo.com)