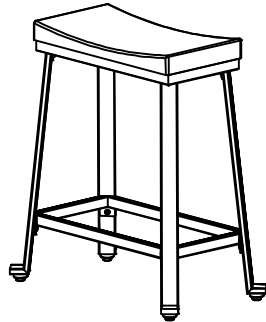


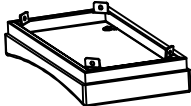
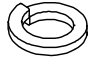
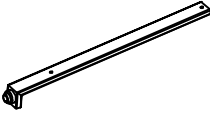
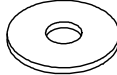
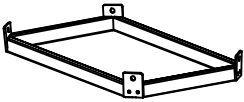
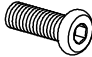



# CAROLINA FORGE

## Assembly Instructions Item # 930/924 SADDLE SEAT STOOL



Thank you for purchasing a Carolina Forge company product. This product has been designed for easy assembly and is constructed for durability. Please take the time to read and follow the assembly instructions carefully. If a part or hardware is missing or you have any difficulties in assembling this product, please contact us Toll Free 1-800-228-3876.

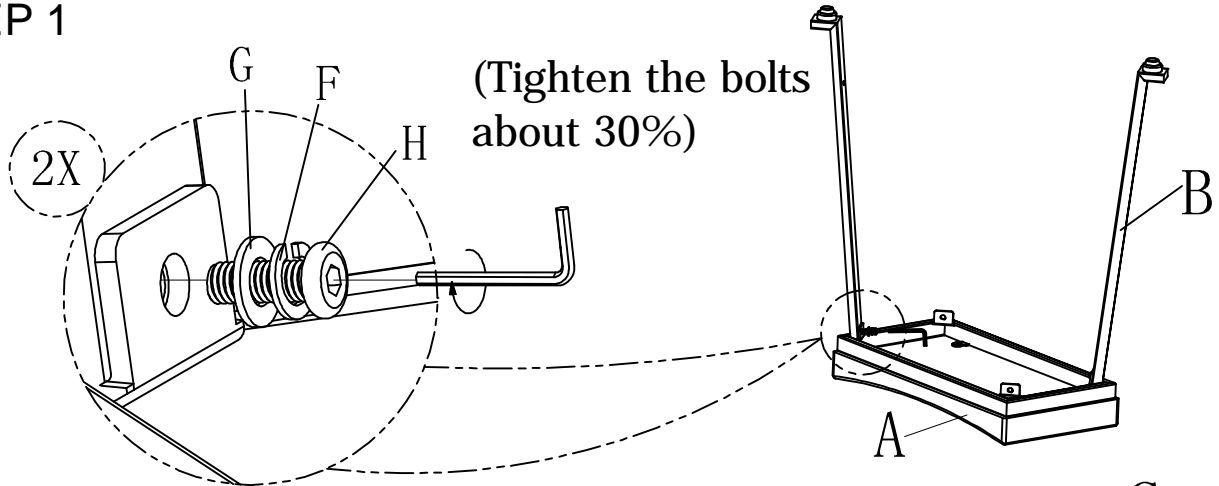
NO.	PART	DESCRIPTION	Q'TY	NO.	PARTS	DESCRIPTION	Q'TY
A		Saddle Seat	1PC	F		Spring Washer	8PCS
B		Leg	4PCS	G		Flat Washer	8PCS
C		Foot Rest	1PC	H		Allen Head Bolt 1/4" x 1/2"	8PCS
				I		Allen Head Wrench 4MM	1PC



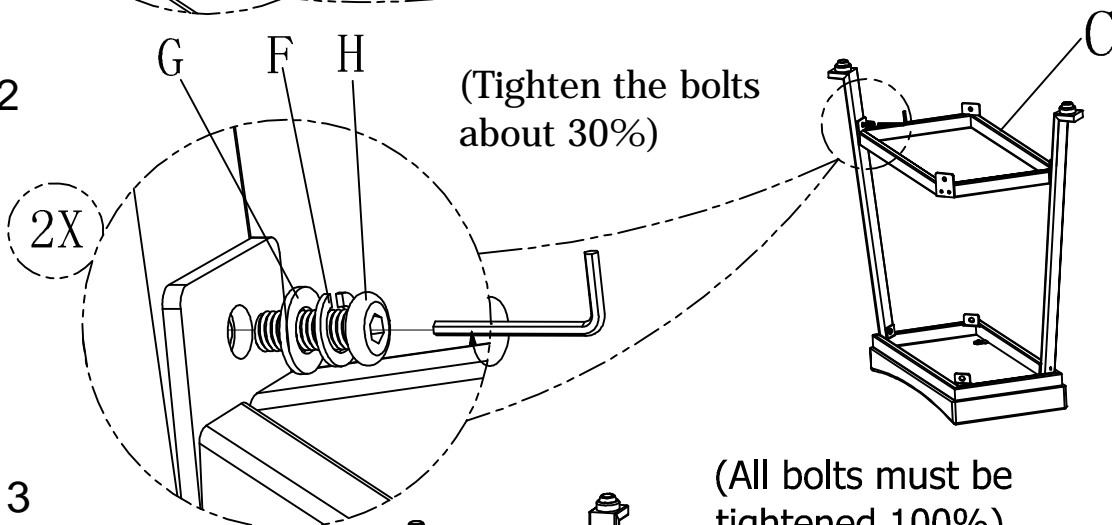
# CAROLINA FORGE

Assembly Instructions  
Item # 930/924  
SADDLE SEAT STOOL

## STEP 1



## STEP 2



## STEP 3

