



# PRODUCT GUIDE GUIDE DES PRODUITS GUÍA DEL PRODUCTO

MODEL | MODÈLE | MODELO

**465640214 • 465640914 • 465640915**

**Stainless Steel  
Tabletop 200**

Serial number | Numéro de série | Número de serie

See rating label on grill for serial number.

Ce numéro se trouve sur l'étiquette signalétique située sur l'appareil.

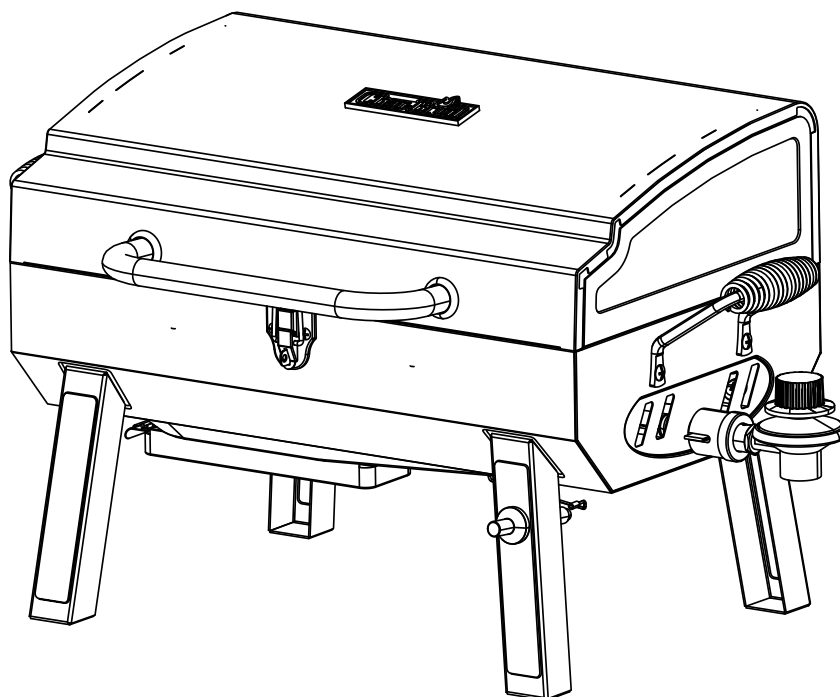
El número de serie se encuentra en la etiqueta de especificaciones de la parrilla.

Date purchased | Date d'achat | Fecha de compra

If you have questions or need assistance during assembly, please call **1-800-241-7548**

Si vous avez des questions ou besoin d'aide pendant l'assemblage, S'il vous plaît appelez **1-800-241-7548**

Si tiene alguna pregunta o si Necesita ayuda durante el Ensamblado, llámenos Al **1-800-241-7548**



## TABLE OF CONTENTS

Product Record Information.....	1
For Your Safety.....	2
Safety Symbols.....	2
Use and Care.....	3-4
Food Safety.....	5
Limited Warranty.....	6
Parts List.....	17
Parts Diagram.....	18
Assembly.....	19-21
Registration Card.....	23

This instruction manual contains important information necessary for the proper assembly and safe use of the appliance.

Read and follow all warnings and instructions before assembling and using the appliance.

Follow all warnings and instructions when using the appliance.

### Safety Symbols

The symbols and boxes shown below explain what each heading means. Read and follow all of the messages found throughout the manual.

**CAUTION**

**CAUTION:** Indicates a potentially hazardous situation or unsafe practice which, if not avoided, may result in minor or moderate injury.

**WARNING**

**WARNING:** Indicates a potentially hazardous situation which, if not avoided, could result in death or serious injury.

**DANGER**

**DANGER:** Indicates an imminently hazardous situation which, if not avoided, will result in death or serious injury.

### INSTALLER/ASSEMBLER:

Leave this manual with consumer.

### CONSUMER:

Keep this manual for future reference.

**WARNING**

**CALIFORNIA PROPOSITION 65**

1. Combustible by-products produced when using this product contains chemicals known to the State of California to cause cancer, birth defects, or other reproductive harm.
2. This product contains chemicals, including lead and lead compounds, known to the State of California to cause cancer, birth defects or other reproductive harm.

*Wash your hands after handling this product.*

## THIS GRILL IS FOR OUTDOOR USE ONLY.

**DANGER**

If you smell gas:

1. Shut off gas to the appliance.
2. Extinguish any open flame.
3. Open lid.
4. If odor continues, keep away from the appliance and immediately call your fire department.

Failure to follow these instructions could result in fire or explosion, which could cause property damage, personal injury or death.

**DANGER**

1. Never operate this appliance unattended.
2. Never operate this appliance within 10ft (3m) of any structure, combustible material or other gas cylinder.
3. Never operate this appliance within 25 ft (7.5 m) of any flammable liquid.
4. If a fire should occur, keep away from the appliance and immediately call your fire department.

Failure to follow these instructions could result in fire, explosion or burn hazard, which could cause property damage, personal injury or death.

**WARNING**

Failure to follow all manufacturer's instructions could result in serious personal injury and/or property damage.

**CAUTION**

For residential use only. Do not use for commercial cooking.

Do not leave appliance unattended. Keep children and pets away from appliance at all times.

**CAUTION**

Read and follow all safety statements, assembly instructions, and use and care directions before attempting to assemble and cook.

**CAUTION**

Some parts may contain sharp edges. Wear protective gloves if necessary.

**WARNING**

Do not attempt to repair or alter the hose/valve/regulator for any "assumed" defect. Any modification to this assembly will void your warranty and create the risk of a gas leak and fire. Use only authorized replacement parts supplied by manufacturer.

**CAUTION**

### Grease Fires

- Putting out grease fires by closing the lid is not possible. Grills are well ventilated for safety reasons.
- Do not use water on a grease fire. Personal injury may result. If a grease fire develops, turn knobs and LP tank off.
- If grill has not been regularly cleaned, a grease fire can occur that may damage the product. Pay close attention while preheating or burning off food residue to insure that a grease fire does not develop. Follow instructions on General Grill Cleaning and Cleaning The Burner Assembly to prevent grease fires.

• The best way to prevent grease fires is regular cleaning of the grill.

**CAUTION**

If grill should go out accidentally, turn the burner control OFF, wait 5 minutes and repeat the lighting procedure.

### Installation Safety Precautions

- Use grill, as purchased, only with LP (propane) gas and the regulator/valve assembly supplied.
- This appliance is not for use in or on recreational vehicles and/or boats.
- Grill installation must conform with local codes or, in the absence of local codes, with the National Fuel Gas Code, ANSI Z223.1/NFPA 54, Storage and Handling of Liquefied Petroleum Gases, ANSI/NFPA 58; or Natural Gas and Propane Installation Code, CSA B149.1; Propane Storage and Handling, CSA B149.2.
- All electrical accessories (such as rotisserie) must be electrically grounded in accordance with local codes, or National Electrical Code, ANSI / NFPA 70. Keep any electrical cords and/or fuel supply hoses away from any hot surfaces.
- This grill is safety certified for use in the United States and/or Canada only. Do not modify for use in any other location. Modification will result in a safety hazard.
- This appliance will be hot during and after use. Use insulated oven mitts or gloves for protection from hot surfaces or splatter from cooking liquids.
- Do not leave appliance unattended. Keep children and pets away from appliance at all times.

### Call Grill Service Center for Help and Parts

- If you need assistance with your product or warranty parts call 1-888-430-7870. Hours of Service Center Operation are 8:00 A.M. To 6:00 P.M. EST Monday - Friday.
- To order non-warranty replacement parts or accessories please visit us on the web at [www.charbroil.com](http://www.charbroil.com) or call 1-888-430-7870 and one of our friendly and knowledgeable agents will be glad to assist you.

## USE AND CARE

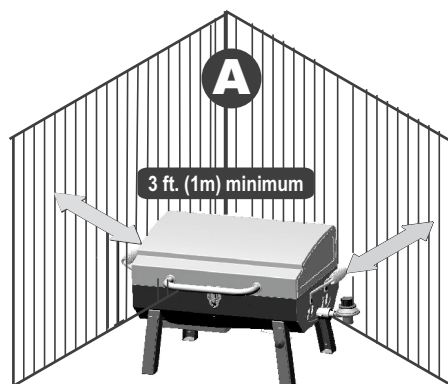


### WARNING



#### For Safe Use of Your Grill and to Avoid Serious Injury:

- Do not let children operate or play near grill.
- Keep grill area clear and free from materials that burn (i.e. gasoline, propane, or any other flammable liquid or gas).
- Do not block holes in bottom or back of grill.
- Check burner flames regularly.
- Never use regulator from this grill with any other LP appliance.
- When cooking, the appliance must be on a level surface in an area clear of combustible material.
- Use grill only in well-ventilated space. For outdoor use only. Never use in an enclosed space such as carport, garage, porch, covered patio, or under an overhead structure of any kind.
- Do not use charcoal or ceramic briquets in a gas grill.
- This appliance is not intended for and should never be used as a heater.
- Do not cover grates with aluminum foil or any other material. This will block burner ventilation and create a potentially dangerous condition resulting in property damage and/or personal injury.
- Use grill at least 3 ft. from any wall or surface. Maintain 10 ft. clearance to objects that can catch fire or sources of ignition such as pilot lights on water heaters, I've electrical appliances, etc..



#### • Apartment Dwellers

- Check with management to learn the requirements and fire codes for using an LP gas grill in your apartment complex. If allowed, use outside on the ground floor with a three (3) foot clearance from walls or rails. Do not use on or under balconies.
- Never attempt to light burner with lid closed. A buildup of non-ignited gas inside a closed grill is hazardous.
- Never operate grill with LP cylinder out of correct position specified in assembly instructions

#### LP (Liquefied Petroleum Gas)

- Is nontoxic, odorless and colorless when produced. **For Your Safety**, LP gas has been given an odor (similar to rotten cabbage) so that it can be smelled.
- **LP gas is highly flammable and may ignite unexpectedly when mixed with air.**

#### Propane Cylinder Use (1lb. Disposable)

- Use only cylinder marked "Propane Fuel".
- Cylinder must be constructed and marked in accordance with the specifications for LP-gas cylinder of the U.S. Department of Transportation (DOT) or the National Standard of Canada, CAN/CSA-B339, Cylinders, Spheres and Tubes for the Transportation of Dangerous Goods.
- Size should be 4" diameter, 8" height, or 3" diameter, 10" height.
- Save cylinder cap and reinstall when not in use.
- Cylinder supply system must be arranged for vapor withdrawal. Gas cylinder must be upright in use.

#### IMPORTANT!

#### Leak Testing (1lb. Disposable)

- During leak test, keep grill away from open flames or sparks and do not smoke. Grill must be leak tested outdoors in a well ventilated area
- Leak test must be repeated each time gas cylinder is replaced or after storage.

Materials needed include clean paint brush and 50/50 soap and water solution. Use mild soap and water. Do not use household cleaning agents. Damage to components can result.

1. Be sure control valve is turned OFF
2. Brush soapy solution onto **connection** between gas cylinder and regulator at (A). If growing bubbles appear, there is a leak. Retighten cylinder and repeat soapy solution.
3. If you cannot stop a leak, remove gas cylinder from regulator and check for damaged threads, dirt and debris on regulator and gas cylinder. Also check to see if anything is obstructing flow of gas at regulator and gas cylinder openings. Remove any obstruction that may be found and repeat leak test. IF threads are damaged on either regulator or gas cylinder, replace.

Call Grill Service Center at 1-888-430-7870 for replacement parts to correct leaks.



### DANGER



- Never store a spare cylinder under or near the appliance or in an enclosed area.
- Never fill a cylinder beyond 80% full.
- An overfilled or improperly stored cylinder is a hazard due to possible gas release from the safety relief valve. This could cause an intense fire with risk of property damage, serious injury or death.
- If you see, smell or hear gas escaping, immediately get away for the LP cylinder/appliance and call your fire department.

#### Safety Tips

- The use of alcohol, prescription or nonprescription drugs may impair the consumer's ability to properly assemble or safely operate the appliance.
- When grill is not in use, disconnect 1 lb. cylinder.
- Never move grill while in operation or still hot. Allow the appliance to cool before moving or storing.
- The regulator may make a humming or whistling noise during operation. This will not affect safety or use of grill.
- If you have a grill problem see the Troubleshooting Section. Light burner. Check to make sure they are lit, close the lid and warm up grill on high for 10 minutes. Curing of paint and parts will produce an odor only on first lighting.
- Grill is not to be used as a heater.
- This appliance will be hot during and after use. Use insulated oven mitts or gloves for protection from hot surfaces or splatter from cooking liquids.
- Clean grill often, preferably after each cookout. If a bristle brush is used to clean any of the grill cooking surfaces, ensure no loose bristles remain on cooking surfaces prior to grilling. It is not recommended to clean cooking surfaces while grill is hot.

**WARNING**

Turn controls OFF and disconnect cylinder when not in use.

**Ignitor Lighting**

**READ INSTRUCTIONS BEFORE LIGHTING.**

**Do NOT lean over appliance while lighting.**

1. Turn the control valve to the OFF position.
2. Connect LP gas cylinder.
3. **Open** the grill lid.
4. Turn the control knob to the **HIGH** position.
5. Press the ignitor button rapidly.
6. Once ignited, turn the control knob to the desired setting.
7. If ignition does not occur in 5 seconds, turn the burner control knob OFF, wait 5 minutes, and repeat lighting procedure.

**If ignition still does not occur, follow match-lighting instructions.**

**CAUTION**

If ignition does NOT occur in 5 seconds, turn the control knob OFF, wait 5 minutes and repeat the lighting procedure. If the burner does not ignite with the valve open, gas will continue to flow out of the burner and could accidentally ignite with risk of injury.

**Match Lighting Instructions**

**Important! Raise lid to open position.**

Attempting to light burner with lid closed may cause an

explosion. Do not expose any part of your body or clothing directly above cooking area when lighting.

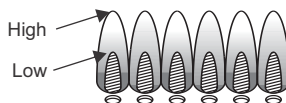
1. Read all instructions before lighting.
2. From the right side of the grill, place lighted wooden match through lighter/ventilation holes in right side of the grill.
3. While holding match next to the burner, turn control knob to the HIGH position. Grill will ignite.
4. If ignition does NOT occur in 5 seconds, turn the burner controls OFF, wait 5 minutes and repeat the lighting procedure.
5. Observe burner flames through openings in heat distribution plate. Make sure burner ignites and stays lit on both sides.
6. Preheat grill for 10 minutes with lid closed. Using control knob on Regulator/Valve, adjust flame to desired height for cooking.



**Turning Grill Off**  
Turn control knob to **OFF** position.  
Disconnect LP cylinder.

**Burner Flame Check**

Light burner. Make sure burner stays lit while rotating the control knob from HIGH to LOW. Always check flame prior to each use.



**Ignitor Check**

- **Remove LP cylinder.** Turn ignitor knob. "Click" should be heard each time at electrode. See "Troubleshooting" if no click or spark.

**Before Your First Cookout**

Leak test your grill. Light burner, check to make sure it is lit. Close the lid and warm up 5 for 10 minutes. Additional curing of paints and parts will produce an odor only on first lighting.

**CAUTION**

**SPIDER ALERT!**

**SPIDER AND WEBS INSIDE BURNER**



If your appliance is getting hard to light or the flame is weak, check and clean the venturi's and burners.

Spiders or small insects are known to create "flashback" problems by building nests and laying eggs in the appliance venturi or burner obstructing the flow of gas. The back-up gas can ignite behind the control panel. This flashback can damage your appliance and cause injury. To prevent flashbacks and ensure good performance the burner and venturi tube assembly should be removed and cleaned when ever the appliance has been idle for an extended period of time.

**IF YOU EXPERIENCE THE FOLLOWING:**

1. Smell gas.
2. Burner will not light.
3. A small yellow flame from burner (should be blue).
4. Fire coming from around or behind control knob.

**STOP!**

**IMMEDIATELY TURN OFF GAS AT LP CYLINDER!**

1. Wait for grill to cool.
2. Use a 12" pipe cleaner to clean out the burner tube.

**General Grill Cleaning**

Do not mistake brown or black accumulation of grease and smoke for paint. Interiors of gas grills are not painted at the factory (and should never be painted). Apply a strong solution of detergent and water or use a grill cleaner with scrub brush on insides of grill lid and bottom. Rinse and allow to completely air dry. **Do not apply a caustic grill/oven cleaner to painted surfaces.**

## Food Safety

Food safety is a very important part of enjoying the outdoor cooking experience. To keep food safe from harmful bacteria, follow these four basic steps:

**Clean:** Wash hands, utensils, and surfaces with hot soapy water before and after handling raw meat and poultry.

**Separate:** Separate raw meats and poultry from ready-to-eat foods to avoid cross contamination. Use a clean platter and utensils when removing cooked foods.

**Cook:** Cook meat and poultry thoroughly to kill bacteria. Use a thermometer to ensure proper internal food temperatures.

**Chill:** Refrigerate prepared foods and leftovers promptly.

**For more information call: USDA Meat and Poultry Hotline at 1-800-535-4555 In Washington, DC (202) 720-3333, 10:00 am-4:00 pm EST.**

## How To Tell If Meat Is Cooked Thoroughly

- Meat and poultry cooked in the appliance often browns very fast on the outside. Use only thawed meat and a meat thermometer to be sure food has reached a safe internal temperature, and cut into food to check for visual signs of doneness.
- We recommend food to be at least 40°F before cooking in your appliance.
- Whole poultry should reach 165° F. Juices should run clear and flesh should not be pink.
- Beef, veal and lamb steaks, roasts and pork chops can be cooked to 145° F.
- NEVER partially cook meat or poultry and finish cooking later. Cook food completely to destroy harmful bacteria.
- Use a meat thermometer to ensure proper internal food temperatures.

USDA Recommended	
Internal Cooking Temperatures	
<b>Ground Meat</b>	
Beef, Pork, Veal, Lamb.....	160°F
Turkey, Chicken.....	165°F
<b>Fresh Beef, Veal, Lamb</b>	
Medium Rare.....	145°F
(let stand 3 minutes before cutting)	
Medium.....	160°F
Well Done.....	170°F
<b>Poultry</b>	
Chicken & Turkey, whole.....	165°F
Poultry Parts.....	165°F
Duck & Goose.....	165°F
<b>Fresh Pork</b>	
Medium Rare.....	145°F
(let stand 3 minutes before cutting)	
Medium.....	160°F
Well Done.....	170°F

## Storing Your Grill

- Clean cooking surface.
- Cover grill if stored outdoors.
- Store grill indoors ONLY if LP cylinder is disconnected.
- Leak test the grill after removing from storage and follow Cleaning Burner Assembly instructions before starting grill.
- Keep grill area clear and free from materials that burner (i.e. gasoline, propane or other flammable liquid or gas).
- Do not block holes in bottom or back of grill.
- When LP cylinder is connected to grill, store outdoors in well-ventilated space and out of reach of children.

## LIMITED WARRANTY

This warranty only applies to units purchased from an authorized retailer. Manufacturer warrants to the **original consumer-purchaser** only that this product shall be free from defects in workmanship and materials after correct assembly and under normal and reasonable home use for the periods indicated below beginning on the date of purchase\*. The manufacturer reserves the right to require that defective parts be returned, postage and or freight pre-paid by the consumer for review and examination.

<u>SCOPE OF COVERAGE</u>	<u>PERIOD OF COVERAGE</u>	<u>TYPE OF FAILURE COVERAGE</u>
All Parts	90 days from date of purchase*	PERFORATION, MANUFACTURING, AND MATERIAL DEFECTS ONLY

\*Note: A dated sales receipt WILL be required for warranty service.

**The original consumer-purchaser will be responsible for all shipping charges for parts replaced under the terms of this limited warranty.**

This limited warranty is applicable in the United States and Canada only, is only available to the original owner of the product and is not transferable. **Manufacturer requires proof of your date of purchase. Therefore, you should retain your sales slip or invoice.** Registering your product is not a substitute for proof of purchase and the manufacturer is not responsible for or required to retain proof of purchase records.

This limited warranty applies to the functionality of the product ONLY and does not cover cosmetic issues such as scratches, dents, corruptions or discoloring by heat, abrasive and chemical cleaners or any tools used in the assembly or installation of the appliance, surface rust, or the discoloration of stainless steel surfaces. Paint is not warranted and will require touch up. **RUST is not considered a manufacturing or materials defect.**

**This limited warranty will not reimburse you for the cost of any inconvenience, food, personal injury or property damage.**

### ITEMS MANUFACTURER WILL NOT PAY FOR:

1. Shipping cost, standard or expedited, for warranty and replacement parts
2. Service calls to your home.
3. Repairs when your product is used for other than normal, single-family household or residential use.
4. Damage, failures, or operating difficulties resulting from accident, alteration, careless handling, misuse, abuse, fire, flood, acts of God, improper installation or maintenance, installation not in accordance with electrical or plumbing codes, or use of products not approved by the manufacturer.
5. Any food loss due to product failures or operating difficulties.
6. Replacement parts or repair labor costs for units operated outside the United States or Canada.
7. Pickup and delivery of your product.
8. Repairs to parts or systems resulting from unauthorized modifications made to the product.
9. The removal and/or reinstallation of your product.

### DISCLAIMER OF IMPLIED WARRANTIES and LIMITATION OF REMEDIES

Repair or replacement of defective parts is your exclusive remedy under the terms of this limited warranty. In the event of parts availability issues, the manufacturer reserves the right to substitute like or similar parts that are equally functional.

Manufacturer will not be responsible for any consequential or incidental damages arising from the breach of either this limited warranty or any applicable implied warranty, or for failure or damage resulting from acts of God, improper care and maintenance, grease fire, accident, alteration, replacement of parts by anyone other than Manufacturer, misuse, transportation, commercial use, abuse, hostile environments (inclement weather, acts of nature, animal tampering), improper installation or installation not in accordance with local codes or printed manufacturer instructions.

THIS LIMITED WARRANTY IS THE SOLE EXPRESS WARRANTY GIVEN BY THE MANUFACTURER. NO PRODUCT PERFORMANCE SPECIFICATION OR DESCRIPTION WHEREVER APPEARING IS WARRANTED BY MANUFACTURER EXCEPT TO THE EXTENT SET FORTH IN THIS LIMITED WARRANTY. ANY IMPLIED WARRANTY PROTECTION ARISING UNDER THE LAWS OF ANY STATE, INCLUDING IMPLIED WARRANTY OF MERCHANTABILITY OR FITNESS FOR A PARTICULAR PURPOSE OR USE, IS HEREBY LIMITED IN DURATION TO THE DURATION OF THIS LIMITED WARRANTY.

**Neither dealers nor the retail establishment selling this product has any authority to make any additional warranties or to promise remedies in addition to or inconsistent with those stated above.** Manufacturer's **maximum liability**, in any event, shall not exceed the purchase price of the product paid by the original consumer.

NOTE: Some states do not allow an exclusion or limitation of incidental or consequential damages, so some of the above limitations or exclusions may not apply to you. This limited warranty gives you specific legal rights as set forth herein. You may also have other rights which vary from state to state. In the state of California only, if refinishing or replacement of the product is not commercially practicable, the retailer selling this product or the Manufacturer will refund the purchase price paid for the product, less the amount directly attributable to use by the original consumer-purchaser prior to discovery of the nonconformity. In addition, in the state of California only, you may take the product to the retail establishment selling this product in order to obtain performance under this limited warranty.

**If you wish to obtain performance of any obligation under this limited warranty, you should write to:**

**Consumer Relations  
P. O. Box 1240  
Columbus, GA 31902-1240**

Consumer returns will not be accepted unless a valid Return Authorization is first acquired. Authorized returns are clearly marked on the outside of the package with an RA number and the package is shipped freight/postage pre-paid. Consumer returns that do not meet these standards will be refused.

## TABLE DES MATIÈRES

Information sur l'enregistrement du produit.....	1
Pour votre sécurité.....	7
Symboles de sécurité.....	7
Utilisation et entretien.....	8-10
Sécurité Alimentaire.....	10
Garantie limitée.....	11
Liste des pièces.....	17
Schéma des pièces.....	18
Assemblage.....	19-21
Fiche d'inscription.....	23

**Cette notice contient des renseignements importants permettant un assemblage adéquat et à une utilisation sécuritaire de l'appareil.**

**Lire et suivre toutes les mises en garde et toutes les instructions avant l'assemblage et l'utilisation de l'appareil.**

**Suivre toutes les mises en garde et toute les instruction lors de l'utilisation de l'appareil.**

### Symboles de sécurité

Vous trouverez ci-dessous une explication du sens de chaque symbole. Lisez et respectez toutes les consignes qui apparaissent partout dans ce guide.



### ATTENTION

ATTENTION : indique une situation potentiellement dangereuse ou une pratique à risque qui, si elle n'est pas évitée, pourrait entraîner des blessures mineures ou modérément graves.



### AVERTISSEMENT

AVERTISSEMENT : indique des conditions qui représentent un risque d'accident; à défaut de prendre les mesures correctives appropriées, la mort ou de graves blessures s'ensuivront.



### DANGER

DANGER : indique des conditions qui représentent un danger imminent; à défaut de prendre les mesures correctives appropriées, la mort ou de graves blessures s'ensuivront.

### INSTALLATEUR / ASSEMBLEUR :

Vous devez laisser le présent manuel au client.

### CLIENT :

Conservez cette notice pour consultation ultérieure.



### AVERTISSEMENT

N'essayez pas de réparer ou de modifier le tuyau, le système de valve ou le régulateur pour corriger un défaut « présumé ». Toute modification à cet assemblage annule votre garantie en plus de créer un risque de fuite de gaz et d'incendie. N'utilisez que des pièces de rechange approuvées, fournies par le fabricant.

## CET APPAREIL EST CONÇU POUR UN USAGE À L'EXTÉRIEUR UNIQUEMENT



### DANGER

1. Ne jamais faire fonctionner cet appareil sans surveillance.
2. Ne jamais faire fonctionner cet appareil à moins de 3.05 mètres (10 pi) de quelque matériau combustible ou structure que ce soit, ou d'un autre réservoir degaz.
3. N'utilisez jamais faire fonctionner cet appareil à moins de 7,5 m (25 pi) d'un liquide inflammable.
4. Si un incendie devait se produire, éloignez-vous de l'appareil et appelez immédiatement le service des incendies.

«Le non respect des instructions suivantes peut entraîner des dommages matériels, des blessures graves ou la mort résultant d'un incendie ou d'une explosion.»



### DANGER

Si vous sentez une odeur de gaz :

1. Coupez l'alimentation de gaz de l'appareil.
2. Éteignez toute flamme nue.
3. Ouvrez le couvercle.
4. Si l'odeur persiste, appelez immédiatement vorte services des incendies.

«Le non respect des instructions suivantes peut entraîner des dommages matériels, des blessures graves ou la mort résultant d'un incendie ou d'une explosion.»



### AVERTISSEMENT

Ne pas suivre toutes les instructions du fabricant pourrait causer des préjudices physiques graves et des dommages matériels.



### ATTENTION

- Pour utilisation domestique uniquement. N'est pas prévu pour un usage commercial.
- Ne laissez pas l'appareil sans surveillance. Tenez les enfants et les animaux à distance de l'appareil en tout temps.



### ATTENTION

Lire et respecter toutes les consignes de sécurité, les instructions d'assemblage et les directives d'emploi et d'entretien avant d'essayer d'assembler cet appareil ou de l'utiliser pour la cuisson.

### Appelez le centre de réparation pour grils afin d'obtenir de l'aide et des pièces de rechange

Si vous avez une question quelconque à poser concernant votre produit ou la garantie, veuillez composer le 1-888-430-7870. Les heures d'ouverture du centre de réparation sont de 8 h à 18 h (HNE), du lundi au vendredi.

Pour commander des pièces de rechange ou des accessoires non couverts par la garantie, veuillez consulter notre site à l'adresse [www.charbroil.com](http://www.charbroil.com), ou composez le 1-888-430-7870 et l'un de nos agents bien informés se fera un plaisir de vous aider.



### ATTENTION

### Incendies de Graisse

- Il n'est pas possible d'éteindre des incendies de graisse en fermant le couvercle. Les grils sont bien aérés pour des raisons de sécurité.
- Si le gril n'a pas été nettoyé régulièrement, un feu de graisse pourrait s'ensuivre et endommager le produit. Surveillez bien le gril durant le préchauffage ou lorsque vous brûlez des résidus d'aliments au cas où un feu de graisse se produirait. Suivez les instructions d'entretien général du gril et de nettoyage des brûleurs afin de prévenir les feux de graisse.
- N'utilisez pas d'eau pour éteindre un incendie de graisse. Cela pourrait causer des blessures. Si un incendie de graisse se déclare, fermez les boutons et l'alimentation en gaz du réservoir de GPL.
- La meilleure façon de prévenir les feux de graisse est de nettoyer régulièrement votre gril.



### ATTENTION

Si le barbecue doit s'éteindre accidentellement, tournez les boutons de réglage des brûleurs sur la position OFF, attendez pendant 5 minutes et recommencez la procédure d'allumage.

### Mesures de sécurité pendant l'installation

- Utilisez seulement du gaz propane liquide (GPL) avec le gril; utilisez seulement le régulateur de pression de gaz et le robinet de la bouteille fournis avec le gril.
- N'utilisez pas cet appareil à l'intérieur ou sur le pont des véhicules de plaisance ou des bateaux.
- L'installation du gril doit se conformer aux codes locaux, ou en leur absence, au National Fuel Gas Code ANSI Z223.1/NFPA 54, Natural Gas and Propane Installation Code CSA B149.1, au Code sur le stockage et la manipulation du propane B149.2, ou à la norme Standard on Recreational Vehicles, ANSI A119.2/NFPA 1192, ainsi que le Code pour les Véhicules de camping CSA Z240 Série VC, selon le cas.
- Tous les accessoires électriques (la rôtissoire par exemple) doivent être mis à la terre conformément aux codes locaux ou au Code national de l'électricité, norme NFPA 70 / ANSI. Gardez les cordons d'alimentation électrique et les tuyaux d'alimentation en carburant à distance de toute surface chaude.
- Ce gril est homologué en matière de sécurité aux États-Unis ou au Canada seulement. Ne modifiez pas l'appareil pour une utilisation dans quelque autre endroit. Toute modification crée un risque d'accident.
- L'appareil sera chaud après avoir servi. Utilisez des gants ou des mitaines de cuisine comme protection contre les surfaces brûlantes et les éclaboussures de liquides chauds.
- Ne laissez pas l'appareil sans surveillance. Tenez les enfants et les animaux à distance de l'appareil en tout temps.



### AVERTISSEMENT

#### CALIFORNIA PROPOSITION 65

1. Les sous-produits de combustion générés lors de l'utilisation de ce produit contiennent des produits chimiques qui, selon l'État de la Californie, causent le cancer, des anomalies congénitales ou d'autres dangers pour la reproduction.
2. Cet article contient des produits chimiques, y compris du plomb et des composés de plomb, qui, selon l'État de la Californie, causent le cancer, des anomalies congénitales ou d'autres dangers pour la reproduction.  
*Veuillez vous laver les mains après avoir manipulé ce produit.*



### ATTENTION

Certaines pièces peuvent être munies de bords coupants! Portez des gants de protection au besoin.

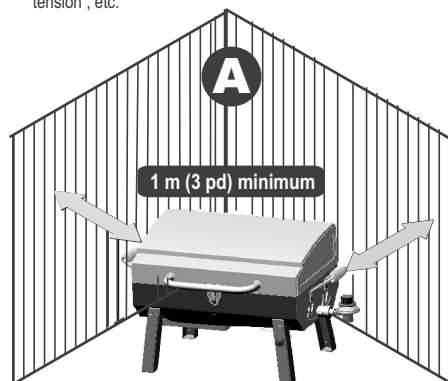
## UTILISATION ET ENTRETIEN



### AVERTISSEMENT

#### Pour une utilisation sans risque de votre grill et pour éviter de graves blessures :

- Ne pas laisser les enfants utiliser le grill ou jouer à proximité de celui-ci.
- Garder l'espace autour du grill dégagé et exempt de matières qui brûlent (p.ex., essence, propane, ou tout autre liquide ou gaz inflammable).
- Ne pas obstruer les orifices situés au fond ou à l'arrière du grill.
- Vérifier régulièrement les flammes du brûleur.
- Ne jamais utiliser le régulateur de ce grill avec tout autre appareil alimenté au gaz liquide.
- Lors de la cuisson, l'appareil doit reposer sur une surface plane dans un lieu exempt de matières combustibles.
- Utiliser le grill uniquement dans un endroit bien aéré. Conçu pour un usage à l'extérieur seulement. Ne jamais utiliser l'appareil dans un endroit clos, comme un abri à voitures, un garage, un porche, un patio couvert ou en dessous de toute autre construction avec plafond.
- Ne pas utiliser de charbon de bois ou de briquettes en céramique dans un grill à gaz.
- Cet appareil n'est pas destiné à être utilisé comme un appareil de chauffage et ne doit jamais l'être.
- Ne pas recouvrir les grilles de cuisson de papier d'aluminium ou de tout autre matériel. Cela aurait pour conséquence d'obstruer la ventilation et de créer une situation susceptible d'être dangereuse, et ce, entraînant des dommages matériels et/ou des blessures corporelles.
- Utiliser un grill en veillant à laisser un dégagement d'au moins 1 m (3 pd) de tout mur ou de toute surface.
- Conserver un dégagement de 3 m (10 pd) des objets qui peuvent prendre feu ou des sources d'inflammation comme la veilleuse du chauffe-eau, les appareils électriques sous tension, etc.



#### • Résidents d'appartement

- Vérifier auprès des administrateurs des lieux afin de connaître leurs exigences et le code de prévention des incendies relativement à l'utilisation d'un grill à gaz propane liquide dans votre immeuble. Si cela est autorisé, utiliser l'appareil à l'extérieur au rez-de-chaussée en conservant un dégagement d'1 mètre (3 pieds) des murs ou des rampes. Ne pas utiliser sur ou sous des balcons.
- Ne jamais essayer d'allumer le brûleur avec le couvercle fermé. Une accumulation de gaz non brûlé à l'intérieur d'un grill fermé constitue un danger.
- Ne jamais utiliser le grill dont la bouteille de gaz liquide n'est pas installée de façon réglementaire, tel qu'indiqué dans les signes d'assemblage.

### Gaz propane liquide (Gaz de pétrole liquéfié)

- Le gaz propane liquide est un gaz non toxique, inodore et incolore lors de son émission. **Pour votre sécurité**, une odeur a été ajoutée au gaz propane liquide (proche de celle du chou pourri) de manière à pouvoir le sentir.
- **Le gaz propane liquide est un gaz très inflammable et peut subitement s'enflammer au contact de l'air.**

### Utilisation de la bouteille de propane (recharge jetable 1 lb)

- Utiliser uniquement les bouteilles indiquant « Carburant propane ».
- La bouteille de gaz de pétrole liquéfiés utilisée doit être fabriquée, marquée et mise en service conformément à la Réglementation sur les bouteilles de gaz de pétrole liquéfiés établie par le Ministère des transports des États-Unis (DOT) ou répondre à la Norme nationale du Canada, CAN/CSAB339 sur les bouteilles, sphères et tubes destinés au transport de produits dangereux.
- Elle doit avoir un diamètre de 4 po, une hauteur de 8 po ou encore un diamètre de 3 po et une hauteur de 10 po.
- Conserver le capuchon de la bouteille et le remettre en place quand la bouteille n'est pas utilisée.
- Le système d'alimentation en gaz de la bouteille doit être positionné de façon à permettre l'élimination des vapeurs. La bouteille de gaz doit être placée verticalement lors de l'utilisation.

### IMPORTANT

#### Essai d'étanchéité (recharge jetable 1 lb)

- Lors de l'essai d'étanchéité, le grill doit être tenu loin des flammes nues ou des étincelles et des fumeurs. Le grill doit être soumis à l'essai d'étanchéité à l'extérieur dans un endroit bien aéré.
- L'essai d'étanchéité doit être répété chaque fois que la bouteille de gaz est changée ou après l'entreposage.

Le matériel nécessaire comprend un pinceau propre et une solution composée d'eau et de savon à parts égales. Utiliser un savon doux et de l'eau.

Ne pas utiliser des produits d'entretien ménager.

Des composantes de l'appareil pourraient être endommagées.

1. S'assurer que le robinet d'arrêt est positionné sur « OFF ».
2. Passer l'eau savonneuse sur le **raccord** reliant la bouteille de gaz au régulateur (à A). La présence continue de bulles à la surface indique qu'il y a une fuite. Resserrer la bouteille et répéter l'opération.
3. Si la fuite ne peut être colmatée, enlever la bouteille de gaz du régulateur et vérifier l'état du filetage, la présence de poussière, de résidus sur le régulateur et la bouteille de gaz. Vérifier aussi le débit de gaz pour voir s'il est bloqué à l'ouverture du régulateur et de la bouteille de gaz. Enlever ce qui peut causer le blocage et refaire l'essai d'étanchéité. Si le filetage est abîmé sur le régulateur ou sur la bouteille de gaz, changer la pièce.

**Appeler le centre des services du grill au 1-888-430-7870 pour obtenir les pièces de rechange et régler le problème de fuite.**



### DANGER

- Ne jamais conserver une bouteille de réserve sous l'appareil ou à proximité de celui-ci ou dans un endroit clos.
- Ne jamais remplir une bouteille à plus de 80% de sa capacité.
- Une bouteille de gaz trop remplie ou conservée dans un endroit non approprié constitue un risque, à savoir celui de voir éventuellement le gaz s'échapper de la soupape de sûreté et de décharge. Il s'ensuivrait un violent incendie, lequel pouvant causer des dommages matériels, des blessures graves ou entraîner la mort.
- À la moindre odeur, sifflement ou fuite de gaz, s'éloigner immédiatement de la bouteille de gaz ou de l'appareil et appeler les pompiers.

#### Conseils de sécurité

- La consommation d'alcool ou de médicaments d'ordonnance ou en vente libre peut altérer la capacité de l'utilisateur d'assembler adéquatement ou de faire fonctionner en toute sécurité l'appareil.
- Lorsque le grill ne sert pas, débrancher la bouteille d'1 lb.
- Ne jamais déplacer le grill lorsqu'il fonctionne ou s'il est encore très chaud. Laisser l'appareil refroidir avant de le déplacer ou de l'entreposer.
- Le régulateur peut émettre un bourdonnement ou un sifflement pendant qu'il marche. Cela n'affecte en rien la sécurité ou le bon fonctionnement du grill.
- En cas de problème, consultez la section « Dépannage ». Allumer les brûleurs. S'assurer qu'ils sont bien allumés, fermer le couvercle et laisser le grill chauffer à une intensité maximale pendant 10 minutes. L'évaporation de la peinture et du lubrifiant des pièces produira une odeur de surchauffe seulement au tout premier allumage du grill.
- Le grill ne peut être utilisé comme un appareil de chauffage.
- Cet appareil devient très chaud pendant qu'il fonctionne et le demeure encore après. Utiliser des gants ou des mitaines de cuisine comme protection contre les surfaces brûlantes ou les éclaboussures de liquides de cuisson.
- Nettoyer souvent le grill, de préférence après chaque emploi. Si une brosse en soie est utilisée, veiller à ce qu'il ne reste pas de poil en soie sur les surfaces de cuisson avant de commencer à cuire les aliments sur le grill. Il n'est pas recommandé de nettoyer les surfaces de cuisson lorsque le grill est encore chaud.



**AVERTISSEMENT**

Turner tous les boutons de commande à la position « OFF » et débrancher la bouteille lorsqu'elle n'est pas utilisée.

### Inflammation du dispositif d'allumage

#### LIRE LES CONSIGNES AVANT D'ALLUMER L'APPAREIL.

**Ne pas se pencher au-dessus de l'appareil lors de l'allumage.**

1. Tourner le robinet d'arrêt sur la position « OFF ».
2. Raccorder la bouteille de gaz liquide.
3. **Ouvrir** le couvercle du grill.
4. Tourner le bouton de commande sur la position « HIGH ».
5. Appuyer d'un geste rapide sur le bouton d'allumage.
6. Une fois le brûleur allumé, régler le bouton de commande à votre convenance.
7. Si l'allumage ne se produit pas dans les 5 secondes, tourner le bouton de commande du brûleur sur la position « OFF », attendre 5 minutes, et répéter l'opération.

**Si l'allumage ne se fait toujours pas, voir les consignes d'allumage avec des allumettes.**

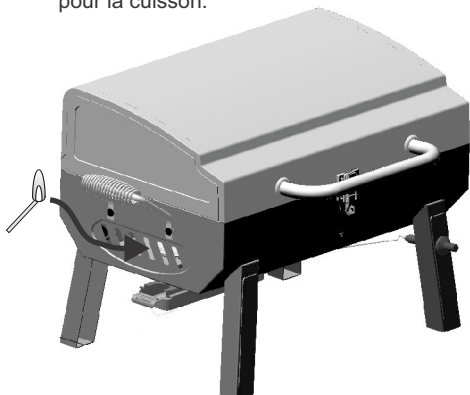
**ATTENTION**

Si l'allumage **NE** se produit **PAS** dans les cinq secondes, couper l'alimentation de gaz **EN FERMANT** le robinet, attendre cinq minutes et répéter l'opération. Si le brûleur ne s'allume pas lorsque le robinet est ouvert, le gaz continuera de s'échapper du brûleur et pourrait s'enflammer accidentellement, et ce, en causant des blessures.

#### Consignes d'allumage avec des allumettes Important! Tenir le couvercle ouvert.

Toute tentative d'allumer un brûleur avec le couvercle fermé peut provoquer une explosion. Ne pas exposer une partie de votre corps ou de vos vêtements directement au-dessus de la surface de cuisson au moment de l'allumage.

1. Lire toutes les consignes avant d'allumer l'appareil.
2. Du côté droit du grill, placer l'allumette allumée dans le trou d'allumage/ventilation du côté droit du grill.
3. En tenant l'allumette près du brûleur, tourner le bouton de commande à la position « HIGH ». Le grill s'allumera.
4. Si l'allumage ne se produit **PAS** dans les 5 secondes, tourner le bouton de commande du brûleur sur la position « OFF », attendre 5 minutes et répéter l'opération.
5. Observer les flammes du brûleur par les orifices de la plaque de distribution de chaleur. S'assurer que le brûleur s'allume et le demeure de chaque côté.
6. Préchauffer le grill pendant 10 minutes en maintenant le couvercle fermé. Utiliser le bouton de commande du régulateur/robinet, régler la flamme à la hauteur désirée pour la cuisson.



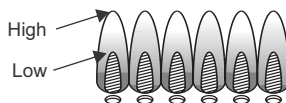
#### Éteindre le grill

Turner le bouton de commande à la position **OFF**.

Débrancher la bouteille de gaz liquide

#### Vérifier la flamme du brûleur

Allumer le brûleur. S'assurer qu'il reste allumé lorsque le bouton de commande passe de « HIGH » à « LOW ». Toujours vérifier la flamme avant chaque utilisation.



#### Vérifier le dispositif d'allumage

- **Enlever la bouteille de gaz liquide.** Tourner le bouton d'allumage. Un « Clic » doit se faire entendre à chaque fois au niveau de l'électrode. Consulter la section « Dépannage » si aucun clic ou aucune étincelle ne se produit.

#### Avant la toute première cuisson

Effectuer l'essai d'étanchéité de votre grill. Allumer le brûleur, s'assurer de vérifier qu'il est bien allumé. Fermer le couvercle et laisser chauffer l'appareil pendant 5 à 10 minutes. Une autre évaporation de la peinture et du lubrifiant des pièces produira une odeur de surchauffe seulement au tout premier allumage du grill.

**ATTENTION**

### ALERTE AUX ARAIGNÉES!

#### ARAIGNÉE ET TOILES D'ARAIGNÉE À L'INTÉRIEUR DU BRÛLEUR



Si votre appareil s'allume difficilement ou si la flamme est faible, vérifier et nettoyer le tube de Venturi et les brûleurs.

Les araignées ou les petits insectes sont connus pour être à l'origine des problèmes liés au « retour de flamme ». Ainsi, en construisant leur nid ou en pondant leurs œufs dans le tube de Venturi ou dans le brûleur de l'appareil, ils bloquent le débit de gaz. Le gaz d'appoint peut enflammer l'arrière du panneau de commande. Ce retour de flamme peut endommager votre appareil et causer des blessures. Pour éviter les retours de flamme et s'assurer un bon fonctionnement, l'assemblage constitué du tube de Venturi et du brûleur doit être enlevé et nettoyé lorsque l'appareil n'a pas servi sur une longue période.

#### SI L'UNE DE CES SITUATIONS SE PRÉSENTE :

1. Vous sentez une odeur de gaz.
2. Le brûleur ne s'allume pas.
3. Vous voyez une petite flamme jaune sortir du brûleur (alors qu'elle doit être bleue).
4. Vous voyez des flammes autour ou derrière le bouton de commande.

#### ARRÊTEZ!

#### COUPER IMMÉDIATEMENT L'ALIMENTATION EN GAZ AU NIVEAU DE LA BOUTEILLE DE PROPANE LIQUIDE!

1. Attendre que le grill refroidisse.
2. Utiliser un cure-pipe de 12 po pour nettoyer le tube du brûleur.

#### Nettoyage complet du grill

Ne pas prendre l'accumulation de graisse et de fumée de couleur marron ou noire pour de la peinture. L'intérieur des grills au gaz n'est pas peint à l'usine (et ne doit jamais l'être). Appliquer une solution concentrée d'eau et de détergent ou utiliser un nettoyeur à grill avec une brosse à récure à l'intérieur du couvercle et dans le fond du grill. Rincer et laisser bien sécher à l'air. **Ne pas appliquer de nettoyant caustique sur les surfaces peintes du grill/four.**

## Avant la première utilisation

### Procédez à un essai d'étanchéité de votre gril.

Allumez le brûleur, assurez-vous qu'il reste allumé, fermez le couvercle et préchauffez le gril à température élevée pendant 10 minutes. Le séchage de la peinture et des pièces produira une odeur la première fois seulement.

## Entreposage du gril

- Nettoyez la surface de cuisson.
- Lorsque la bouteille de gaz est branchée au gril, entreposez-les à l'extérieur dans un endroit bien aéré et hors de la portée des enfants.
- Couvrez le gril s'il est entreposé à l'extérieur.
- Entreposez le gril à l'intérieur UNIQUEMENT si la bouteille de GPL débranchée.
- Procédez à un essai d'étanchéité du gril après une période d'entreposage et suivez des instructions dans la section Nettoyage des brûleurs avant d'utiliser le gril.
- Gardez l'espace autour du gril propre et libre de tout matériel inflammable (p. ex., essence, propane ou autres liquides ou gaz inflammables).
- Ne bouchez pas les trous au fond ou à l'arrière du gril.

## Nettoyage général du gril

- Ne confondez pas les accumulations brunes ou noires de graisse et de fumée avec de la peinture. Les surfaces intérieures des grils au gaz ne sont pas peintes en usine (et ne doivent jamais l'être). Utilisez une solution puissante de détergent et d'eau ou utilisez un produit de nettoyage pour grils et une brosse à récurer sur les surfaces intérieures du couvercle du gril et du fond de celui-ci. Rincez et laissez sécher complètement à l'air. **N'utilisez pas de produit de nettoyage caustique pour gril ou four sur les surfaces peintes.**

## Sécurité alimentaire

La sécurité alimentaire contribue de façon importante à assurer une expérience agréable lors d'un barbecue en plein air. Pour protéger la nourriture des bactéries, respectez les quatre étapes de base suivantes.

**Nettoyage** : lavez-vous les mains, nettoyez les ustensiles et toutes les surfaces à l'eau chaude savonneuse avant et après avoir manipulé de la viande ou de la volaille crue.

**Séparation** : séparez la viande et la volaille crues des aliments prêts à être consommés afin d'éviter toute contamination entre les aliments. Utilisez un plateau et des ustensiles propres pour servir des aliments cuits.

**Cuisson** : cuisez entièrement la viande et la volaille afin de tuer les bactéries. Utilisez un thermomètre pour vous assurer que la nourriture a atteint des températures internes adéquates.

**Réfrigération** : réfrigérez sans tarder les aliments cuits et les restes.

**Pour de plus amples renseignements à ce sujet, appelez la ligne d'assistance USDA Meat and Poultry Hotline au 1-800-535-4555. Si vous êtes à Washington D.C., composez le 202-720-3333, de 10 h à 16 h, HNE.**

### Comment déterminer si la viande est cuite à point

- La viande et la volaille cuites avec la unité brunissent souvent très vite en surface. Utilisez un thermomètre pour vous assurer que la nourriture a atteint une température interne adéquate et sécuritaire; ouvrez l'aliment en le coupant pour vous assurer qu'il est visiblement cuit à point.
- Nous recommandons que les aliments placés dans la unité aient une température d'au moins 4 °C (40 °F) avant de les faire cuire.
- La volaille entière devrait atteindre 74 °C (165 °F). Les jus qui s'égouttent doivent être transparents et la chair ne doit plus être rose.
- Les steaks, rôtis et côtelettes de bœuf, de veau et d'agneau peuvent être cuits à 71 °C (160 °F).
- Ne JAMAIS cuire la viande ou la volaille partiellement pour finir la cuisson plus tard. Cuisez les viandes entièrement afin d'éliminer complètement toutes les bactéries dangereuses.

## Recommandé USDA

### Les températures internes de cuisson

La viande hachée	
Boeuf, porc, veau, agneau .....	71 °C (160 °F)
Dinde, poulet .....	71 °C (165 °F)
Boeuf, veau, agneau	
Medium Rare .....	63 °C (145 °F)
Moyen .....	71 °C (160 °F)
Well Done .....	77 °C (170 °F)
Volaille	
Poulet et la Turquie, tout .....	71 °C (165 °F)
Pièces de volaille .....	71 °C (165 °F)
Duck & Goose .....	71 °C (165 °F)
Frais de porc	
Moyen .....	71 °C (160 °F)
Well Done .....	71 °C (170 °F)

## GARANTIE LIMITÉE

La présente garantie n'est valide que pour les appareils achetés auprès d'un détaillant autorisé. Le fabricant garantit à **l'acheteur initial**, et uniquement celui-ci, que le produit est exempt de tout défaut de matériel et de main-d'œuvre, dans la mesure où il a été assemblé correctement, qu'il est utilisé de façon normale et raisonnable à des fins personnelles, et ce, pendant la durée de la période indiquée ci-dessous et commençant le jour de la date d'achat du produit\*. Le fabricant se réserve le droit de demander au client que les pièces défectueuses lui soient expédiées, port ou fret prépayé, pour fins d'examen.

Portée de la couverture	Période de couverture	Perforation, Défauts de fabrication et de matériel Uniquement
Toutes les parties	90 jours à compter de la date d'achat *	

\*Remarque : dans la mesure où le client inscrit le produit et fournit un exemplaire du reçu de caisse ou de la facture portant la date de l'achat, la période de couverture de la garantie sera étendue de façon à commencer à la date d'achat du produit.

**L'acheteur initial assume la responsabilité de l'ensemble des frais d'expédition pour le remplacement de pièces en vertu des modalités de la présente garantie limitée.**

Cette garantie limitée n'est valide qu'aux États-Unis et au Canada; elle n'est en vigueur que pour l'acheteur initial du produit et n'est pas transférable. **Le fabricant exigera une preuve de la date d'achat. Par conséquent, vous devez conserver votre reçu de caisse ou votre facture.** L'enregistrement du produit ne constitue pas une preuve d'achat. Il n'appartient pas au fabricant de tenir un dossier des achats des clients.

La présente garantie limitée vise UNIQUEMENT le fonctionnement du produit et elle ne touche donc pas les questions esthétiques, telles les égratignures, les bosses, la corrosion ou la décoloration causée par la chaleur, des nettoyeurs abrasifs ou chimiques, quelque outil que ce soit employé lors de l'assemblage ou de l'installation de l'appareil, la rouille en surface, ni la décoloration des surfaces en acier inoxydable. La peinture n'est pas garantie et requiert des retouches. **Rouille n'est pas considéré comme un matériel de fabrication ou de défaut.**

**La présente garantie limitée ne couvre pas le remboursement de frais associés à un inconfort, à une perte de nourriture, à des blessures personnelles ou au bris de biens matériels.**

### ÉLÉMENTS NON REMBOURSÉS PAR LE FABRICANT :

1. Frais d'expédition, service régulier ou accéléré, tant pour une pièce couverte par la garantie que pour une pièce de rechange.
2. Visite d'un réparateur à votre domicile.
3. Les réparations lorsque le produit est employé à des fins autres qu'un usage normal résidentiel pour une seule famille.
4. Des dommages, des défaillances ou des difficultés de fonctionnement découlant d'un accident, d'une modification, d'une manipulation négligente, d'une mauvaise utilisation, d'un usage abusif, d'un incendie, d'une inondation, d'une catastrophe naturelle, d'une installation ou d'un entretien inadéquats, d'un montage non conforme aux codes de l'électricité et de plomberie en vigueur, ou de l'utilisation de produits non approuvés par le fabricant.
5. Toute perte de nourriture causée par une défaillance du produit ou des difficultés de fonctionnement.
6. Les pièces de rechange ou les coûts de la main-d'œuvre pour un appareil ayant fonctionné hors des États-Unis ou du Canada.
7. Le ramassage et la livraison du produit.
8. La réparation de pièces ou de systèmes suite à des modifications non autorisées apportées au produit.
9. Le démontage ou la réinstallation de l'appareil.

### STIPULATION D'EXONÉRATION DE GARANTIES et LIMITATION DES RECOURS

La réparation ou le remplacement d'une pièce défectueuse constitue votre seul recours en vertu des modalités de la présente garantie limitée. En cas de problèmes de disponibilité des pièces, le constructeur se réserve le droit de remplacer des pièces similaires qui sont également fonctionnels. Le fabricant n'assume aucune responsabilité pour tout dommage consécutif ou accessoire découlant d'une violation soit de la présente garantie soit de toute autre garantie tacite, ou pour une défaillance ou des dommages résultant d'une calamité naturelle, d'un entretien inadéquat, d'un incendie de graisse, d'un accident, d'une modification apportée à l'appareil, du remplacement de pièces par une personne autre que le fabricant, d'un mauvais usage, du transport, d'une utilisation commerciale, d'un usage abusif, de la présence d'environnements hostiles (temps non clément, catastrophes naturelles, altération par les animaux), d'une installation inadéquate ou non conforme aux codes locaux, ou des instructions imprimées du fabricant.

LA PRÉSENTE GARANTIE LIMITÉE CONSTITUE L'UNIQUE GARANTIE EXPLICITE ÉMISE PAR LE FABRICANT. LE FABRICANT NE FORMULE AUCUNE DÉCLARATION NI DESCRIPTION DE RENDEMENT ASSOCIÉE AU PRODUIT, PEU IMPORTE OÙ CELLE-CI POURRAIT FIGURER, SAUF DANS LES ÉNONCÉS DE LA PRÉSENTE GARANTIE LIMITÉE. TOUTE PROTECTION DE GARANTIE TACITE DÉCOULANT DES LOIS D'UN ÉTAT OU D'UNE PROVINCE, Y COMPRIS LES GARANTIES IMPLICITES DE QUALITÉ MARCHANDE OU D'ADAPTATION À UN USAGE OU OBJECTIF PARTICULIER., SE LIMITE À LA DURÉE DE LA PRÉSENTE GARANTIE LIMITÉE.

Ni les représentants commerciaux ni les détaillants vendant l'appareil n'ont l'autorisation de produire une garantie supplémentaire ni de promettre des recours s'ajoutant à ceux mentionnés ci-dessus, qu'ils soient ou non compatibles avec ceux-ci. Dans tous les cas, la responsabilité maximale du fabricant ne pourra dépasser le prix d'achat de l'appareil payé par l'acheteur initial.

REMARQUE : certains États ou certaines provinces n'autorisent pas les exclusions ou les restrictions de dommages consécutifs ou accessoires, de sorte qu'il est possible que certaines des restrictions ou exclusions ci-dessus ne s'appliquent pas à vous. La présente garantie limitée vous donne des droits juridiques spécifiques qui sont exposés aux présentes. Il est possible que vous disposiez d'autres droits qui peuvent varier d'un État et d'une province à l'autre. Dans l'État de Californie uniquement, si la remise en état ou le remplacement du produit n'est pas commercialement possible, le détaillant ayant vendu l'appareil ou le fabricant rembourseront le montant payé par l'acheteur, et déduiront une somme directement proportionnelle à l'utilisation par l'acheteur initial avant la découverte de la non-conformité. De plus, dans l'état de Californie uniquement, vous pouvez rapporter l'appareil au détaillant qui vous a vendu le produit afin de bénéficier des privilèges que vous donne la présente garantie limitée.

Si vous désirez qu'une obligation, quelle qu'elle soit, soit exécutée en vertu de la présente garantie limitée, vous devez écrire à :

**Consumer Relations  
P. O. Box 1240  
Columbus, GA 31902-1240**

Les retours de marchandise des clients ne seront acceptés que si une autorisation de retour (Return Authorization) valide a été obtenue au préalable. Les retours autorisés doivent être clairement identifiés par leur numéro sur l'extérieur de l'emballage. De plus, le fret ou les frais d'expédition doivent être prépayés. Tout retour de marchandise d'un client qui ne satisfait pas à ces critères sera refusé.

## ÍNDICE DE MATERIAS

Información de inscripción de la garantía.....	1
Por su propia seguridad.....	12
Símbolos de seguridad.....	12
Uso y mantenimiento.....	13-14
Seguridad con los alimentos.....	15
Garantía limitada.....	16
Lista de piezas.....	17
Diagrama de piezas.....	18
Armado.....	19-21
Tarjeta de inscripción.....	23

Este manual de instrucciones contiene información importante, necesaria para armar la freidora adecuadamente y usarla de manera segura.

Lea y siga todas las advertencias e instrucciones antes de ensamblar y utilizar el aparato.

Cuando use la freidora, siga todas las advertencias y las instrucciones.

### Símbolos de seguridad

Los símbolos y las casillas ilustradas más adelante explican lo que significa cada encabezado. Lea y cumpla lo indicado en los mensajes que se encuentran en todo el manual.



### ADVERTENCIA

**ADVERTENCIA:** Indica una situación potencialmente peligrosa o una práctica insegura que, de no evitarse, podría causar lesiones leves o menores.



### ADVERTENCIA

**ADVERTENCIA:** Indica una situación potencialmente peligrosa que, de no evitarse, podría causar la muerte o lesiones graves.



### PELIGRO

**PELIGRO:** Indica una situación peligrosa inminente que, de no evitarse, ocasionará la muerte o lesiones graves.

## A LA PERSONA QUE INSTALE O ENSEMBLE ESTA PARRILLA:

Deje este manual al cliente.

### AL CONSUMIDOR:

Conserve este manual para que lo pueda consultar en el futuro.

Comuníquese con el centro de servicio para parrillas para solicitar ayuda o repuestos

- Si necesita ayuda sobre su producto o piezas amparadas por la garantía, llame al 1-888-430-7870. El horario de atención del centro de servicio es, de lunes a viernes, entre las 8.00 y las 18.00 horas, hora normal del Este.
- Para solicitar piezas de repuesto o accesorios no amparados por la garantía, visite nuestro portal en [www.charbroil.com](http://www.charbroil.com) o llame al 1-888-430-7870 y uno de nuestros amables y entendidos agentes lo atenderá gustosamente.

## ESTA PARRILLA SOLO SE PUEDE USAR EN EXTERIORES.



### PELIGRO



Si siente olor a gas:

1. Cierre el paso de gas al aparato.
2. Apague toda llama al descubierto.
3. Abra la tapa.
4. Si persiste el olor, aléjese de la freidora y llame inmediatamente al proveedor local de gas o a los bomberos.

El no cumplir con todas estas instrucciones puede ocasionar incendios o explosiones que pueden causar daños materiales, lesiones o la muerte.



### PELIGRO



1. Nunca deje desatendida esta freidora cuando la esté usando.
2. Nunca la use a una distancia menor que 10 pies (3 m) de cualquier estructura, material combustible u otro tanque de gas
3. Nunca la use a una distancia menor que 25 pies (7.5 m) de cualquier líquido inflamable.
4. En caso de ocurrir un incendio, aléjese del aparato y llame de inmediato a los bomberos.

El no cumplir con estas instrucciones puede crear el riesgo de incendio, de explosión o de quemaduras que pueden causar daños materiales, lesiones o la muerte.



### ADVERTENCIA



El no cumplir con todas instrucciones del fabricante puede ocasionar graves y/o daños materiales.



### ADVERTENCIA



- Sólo para uso particular. Este aparato no ha sido diseñado para uso comercial.
- No deje el aparato desatendido. Mantenga alejados en todo momento a los niños y a las mascotas.



### ADVERTENCIA



Antes de empezar a ensamblar la parrilla y cocinar, lea y siga todas las indicaciones de seguridad, las instrucciones de ensamblado y las instrucciones de uso y de cuidado



### ADVERTENCIA



Ciertas pueden tener bordes cortantes. Si es necesario, use guantes protectores.



### ADVERTENCIA



No intente reparar ni modificar la unidad de la manguera/la válvula/el regulador debido a un "supuesto" defecto. Toda modificación a esta unidad anulará la garantía y creará el riesgo de una fuga de gas e incendio. Use únicamente repuestos autorizados, suministrados por el fabricante.



### ADVERTENCIA



Si accidentalmente se sale, gire las perillas de control del quemador a la posición APAGADO, espere 5 minutos y repita el proceso en. Si el quemador no se enciende con la válvula abierta, el gas seguirá aumentando en la misma y se puede activar de forma accidental, con el riesgo de lesiones.



## ADVERTENCIA



### Fuego de Grasa

- No es posible apagar los fuegos provocados por la grasa cerrando la tapa. Por razones de seguridad, las parrillas tienen aberturas de ventilación.
- No use agua para apagar los fuegos provocados por la grasa. Esto puede ocasionar lesiones. Si surge un fuego provocado por la grasa, cierre las perillas y el tanque de gas.
- Si el asador no se ha limpiado regularmente, podría ocurrir fuego causado por la grasa que podría dañar el producto. Preste mucha atención mientras precalienta o quema los residuos de comida para asegurar que no se cause fuego debido a la grasa. Siga las instrucciones de Limpieza general del asador y de Limpieza del conjunto del quemador para prevenir fuego causado por grasas.
- La mejor forma de prevenir fuegos causados por grasas es la limpieza regular del asador.

### Medidas de seguridad para la instalación

- Use la parrilla únicamente con gas propano y con la unidad de regulador/válvula suministrada.
- No se debe usar este aparato en vehículos recreativos ni en embarcaciones.
- La instalación de la parrilla se debe realizar de conformidad, según corresponda, con los códigos y reglamentos locales o, en su defecto, con el National Fuel Gas Code (Código nacional sobre gases combustibles), ANSI Z223.1/NFPA 54; la norma Storage and Handling of Liquefied Petroleum Gases (Almacenamiento y manipulación de gases de petróleo licuado) ANSI/NFPA 58; el Natural Gas and Propane Installation Code (Código para instalaciones de gas natural o de gas propano), CSA B149.1; la norma Propane Storage and Handling (Almacenamiento y manipulación de gas propano), CSA B149.2; la Standard for Recreational Vehicles (Norma para vehículos recreativos), ANSI A119.2/NFPA 1192; y el Recreational Vehicle Code (Código para vehículos recreativos), CSA Z240 RV Series.
- Todos los accesorios eléctricos (como los asadores) deben estar puestos a tierra de conformidad con las estipulaciones de los códigos locales o con el National Electrical Code (Código para instalaciones eléctricas), ANSI / NFPA 70. Mantenga los cables eléctricos y las mangueras de suministro de combustible alejados de las superficies calientes.
- La certificación de seguridad de esta parrilla sólo es válida si se usa en Estados Unidos y en Canadá. No modifique esta parrilla para usarla en ningún otro lugar. Cualquier modificación puede poner en peligro su seguridad.
- Este aparato permanece caliente durante y después su uso. Para protegerse de las superficies calientes y de las saipicaduras de líquidos calientes, use manoplas o guantes para cocina.
- No deje el aparato desatendido. Mantenga alejados en todo momento a los niños y a las mascotas.



## ADVERTENCIA



### PROPOSICION 65 DEL ESTADO DE CALIFORNIA

1. En el estado de California se sabe que los subproductos de la combustión, que se producen al usar este producto, contienen sustancias químicas que causan cáncer, defectos congénitos u otras lesiones al aparato reproductor.
2. Este producto contiene sustancias químicas, incluyendo el plomo y compuestos de plomo, que en el estado de California se sabe que las causan cáncer, defectos congénitos u otras lesiones al aparato reproductor.

Lávese las manos después de manipular este

## USO Y CUIDADO



### Para un uso seguro de su parrilla y para evitar lesiones graves:

- No permita que los niños utilicen o jueguen cerca de la parrilla.
- Mantenga el área de la parrilla libre de materiales inflamables (por ejemplo, gasolina, propano, o cualquier otro líquido o gas inflamable).
- No obstruya los orificios en la parte inferior o posterior de la parrilla.
- Verifique las llamas del quemador regularmente.
- Nunca utilice el regulador de esta parrilla con alguna otra unidad a gas LP.
- Cuando cocine, la unidad debe estar sobre una superficie nivelada y en un área libre de materiales combustibles.
- Use la parrilla únicamente en espacios bien ventilados. Sólo para uso al aire libre. Nunca utilice la unidad dentro de un espacio cerrado, como un garaje abierto o cerrado, porche, patio cubierto, o cualquier área techada.
- No utilice carbón o briquetas de cerámica en la parrilla a gas.
- Esta unidad no está diseñada para ser usada como un calefactor y jamás debe usarse como un calefactor.
- No cubra las rejillas con papel aluminio o cualquier otro material. Esto bloquearía la ventilación del quemador creando una situación potencialmente peligrosa que puede resultar en daños a la propiedad y/o lesiones personales.
- Utilice la parrilla al menos a 3 pies (91,5 cm) de distancia de cualquier pared o superficie.
- Mantenga la unidad a una distancia de al menos 10 pies (3 m) de objetos inflamables o de fuentes de ignición tales como las llamas de los pilotos de calentadores de agua, unidades eléctricas, etc.



### Residentes de departamentos

- Consulte con la administración de su complejo habitacional los requisitos y códigos de prevención de incendios para la utilización de parrillas a gas LP. Si está permitido, utilice la unidad sobre el suelo con una distancia de al menos 3 pies (91,50 cm) de paredes o barandas. No utilice sobre o debajo de balcones.
- Nunca intente encender el quemador con la tapa cerrada. Una acumulación de gas no encendido dentro de una parrilla cerrada es peligrosa.
- Nunca utilice la parrilla con el cilindro de gas LP fuera de la posición especificada en las instrucciones de ensamblaje.

### Gas LP (gas licuado de petróleo)

- Es atóxico, inodoro e incoloro al producirse. **Para su seguridad**, al gas LP se le agrega olor (similar al repollo podrido) para que se pueda ser distinguido.
- **El gas LP es altamente inflamable y puede encenderse de forma inesperada cuando se mezcla con el aire.**

### Uso del cilindro de propano (descartable de 1 libra - 0,45 kg)

- Use solamente cilindros marcados como "combustible de propano".
- El cilindro debe construirse y marcarse según las especificaciones para los cilindros de gas LP del Ministerio de Transporte de los Estados Unidos (DOT), o la Norma Nacional de Canadá, CAN/CSA-B339, Cilindros, Esferas y Tubos para el Transporte de Mercaderías Peligrosas.
- El tamaño debe ser de 4" (10,16 cm) de diámetro y 8" (20,32 cm) de altura, o de 3" (7,62 cm) de diámetro y 10" (25,4 cm) de altura.
- Guarde la tapa del cilindro y vuelva a colocarla cuando el cilindro no esté en uso.
- El sistema de suministro del cilindro debe estar dispuesto para la remoción de vapor. El cilindro de gas debe estar en posición vertical cuando esté en uso.

### ¡IMPORTANTE!

### Prueba de fugas (descartable de 1 libra - 0,45 kg)

- Durante la prueba de fugas, mantenga la parrilla lejos de llamas abiertas o chispas, y no fume. La prueba de fugas de la parrilla debes hacerse al aire libre y en un área bien ventilada.
- Se debe repetir la prueba de fugas cada vez que se reemplace el cilindro de gas o luego de su almacenamiento.

Los materiales necesarios incluyen un pincel de pintura limpio y una solución jabonosa de mitad agua y mitad jabón. Utilice jabón suave y agua. No utilice productos de limpieza domésticos. Éstos pueden dañar los componentes.

1. Asegúrese de que la válvula de control esté en posición OFF (apagada).
2. Cepille la mezcla jabonosa sobre la **conexión** entre el cilindro de gas y el regulador en (A). Si aparecen burbujas, hay una fuga. Vuelva a ajustar el cilindro y repita la prueba con la mezcla jabonosa.
3. Si no puede detener la fuga, retire el cilindro de gas del regulador y verifique que no hayan roscas dañadas, tierra, y residuos en el regulador y el cilindro de gas. También verifique que no haya nada que obstruya el flujo de gas en los orificios del regulador y cilindro de gas. Retire cualquier obstrucción que encuentre y repita la prueba de fugas. Si las roscas en el regulador o cilindro de gas están dañadas, reemplácelas.

### Comuníquese con el Centro de Mantenimiento para parrillas al 1-888-430-7870 para reemplazar las piezas y arreglar las fugas.



- Nunca almacene un cilindro de repuesto debajo o cerca de la unidad, o en un área cerrada.
- Nunca cargue el cilindro a más del 80% de su capacidad.
- Podría ser peligroso sobrecargar un cilindro o almacenarlo en forma incorrecta, ya que puede liberar gas de la válvula de alivio de presión. Esto podría causar fuego intenso y resultar en daños a la propiedad, lesiones graves o la muerte.
- Si ve, huele o escucha una fuga de gas, aléjese inmediatamente del cilindro/unidad de gas LP y llame a su departamento de bomberos.

### Consejos de seguridad

- El consumo de alcohol, medicamentos recetados o de venta libre podría disminuir la capacidad del cliente para ensamblar o utilizar la unidad adecuadamente.
- Cuando la parrilla no esté en uso, desconecte el cilindro de 1 libra (0,45 kg).
- Nunca retire la parrilla mientras esté en uso o aún caliente. Deje que la unidad se enfríe antes de retirarla o guardarla.
- El regulador puede hacer un ruido a un zumbido o silbido durante su uso. Esto no afectará la seguridad o el uso de la parrilla.
- Si tiene algún problema con la parrilla, consulte la sección de resolución de problemas. Encienda el quemador. Verifique que esté encendido, cierre la tapa y caliente la parrilla a temperatura alta durante 10 minutos. El curado de la pintura y las piezas despedirá olor sólo al encender la unidad por primera vez.
- La parrilla no debe ser usada como un calefactor.
- Esta unidad estará caliente durante y después de su uso. Utilice manoplas o guantes aislantes para protegerse del contacto con las superficies calientes o salpicaduras de líquidos de cocción.
- Limpie la parrilla con frecuencia, preferentemente luego de cada uso. Si utiliza un cepillo de cerdas para limpiar alguna de las superficies de cocción de la parrilla, asegúrese de no dejar ninguna cerda en las superficies de cocción antes de utilizar la unidad. No se recomienda limpiar las superficies de cocción mientras la parrilla esté caliente.

**ADVERTENCIA**

Gire los controles hasta la posición "OFF" (apagado) y desconecte el cilindro cuando la unidad no esté en uso.

### Encendido con ignitor

#### LEA LAS INSTRUCCIONES ANTES DE ENCENDER LA UNIDAD.

**NO se incline sobre la unidad cuando la encienda.**

1. Gire la válvula de control a la posición "OFF".
2. Conecte el cilindro de gas LP.
3. Abra la tapa de la parrilla.
4. Gire la perilla de control a la posición "HIGH" (alto).
5. Pulse el botón de encendido rápidamente.
6. Una vez que la unidad esté encendida, gire la perilla de control hasta la posición deseada.
7. Si la unidad no se enciende en 5 segundos, gire la perilla de control del quemador a la posición "OFF", espere 5 minutos y repita el proceso de encendido.

**Si la unidad aún no enciende, siga las instrucciones de encendido con fósforos.**

**PRECAUCIÓN**

Si la unidad **NO** se enciende en 5 segundos, gire la perilla de control a la posición "OFF", espere 5 minutos y repita el proceso de encendido. Si el quemador no se enciende con la válvula abierta, el gas continuará saliendo del quemador y podría encenderse accidentalmente y producir daños.

#### Importante: Instrucciones para el encendido con fósforos Abra la tapa.

Si intenta encender el quemador con la tapa cerrada podría causar una explosión. No exponga ninguna parte de su cuerpo o ropa directamente sobre el área de cocción cuando encienda la unidad.

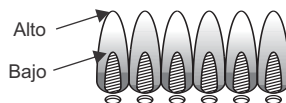
1. Lea todas las instrucciones antes de encender la unidad.
2. Desde el lado derecho de la parrilla, coloque el fósforo encendido por el orificio de encendido/ventilación en el lado derecho de la parrilla.
3. Sosteniendo el fósforo cerca del quemador, gire la perilla de control a la posición "HIGH". La parrilla se encenderá.
4. Si la unidad **NO** se enciende en 5 segundos, gire los controles del quemador a la posición "OFF", espere 5 minutos y repita el proceso de encendido.
5. Observe las llamas del quemador por las aberturas en la bandeja de distribución de calor. Asegúrese de que el quemador esté encendido y permanezca encendido en ambos lados.
6. Precaliente la parrilla durante 10 minutos con la tapa cerrada. Con la perilla de control del regulador/válvula, ajuste la llama a la altura deseada para la cocción.



**Para apagar la parrilla**  
Gire la perilla de control hasta la posición "**OFF**".  
Desconecte el cilindro de gas LP.

#### Verifique las llamas del quemador

Encienda el quemador. Asegúrese de que el quemador permanezca encendido cuando gire la perilla de control desde la posición "HIGH" hasta la posición "LOW" (bajo). Siempre verifique la llama antes de utilizar la unidad.



#### Verificación de encendido

- **Retire el cilindro de gas LP.** Gire la perilla de encendido. Deberá escuchar un "clic" en el electrodo cada vez que se gire la perilla. Consulte la sección de "resolución de problemas" si no se produce un clic o una chispa.

#### Antes del primer uso

Realice la prueba de fugas en su parrilla. Encienda el quemador, verifique que esté encendido. Cierre la tapa y caliente la unidad de 5 a 10 minutos. El curado adicional de la pintura y las piezas desprenderá olor sólo al encender la unidad por primera vez.

**PRECAUCIÓN**

### ¡ALERTA DE ARAÑAS!

#### ARAÑAS Y TELARAÑAS DENTRO DEL QUEMADOR



Si se dificulta encender la unidad o la llama es débil, verifique y limpie los inyectores y quemadores.

Las arañas o pequeños insectos suelen crear problemas de "llamaradas" al construir sus nidos y poner sus huevos en el inyector o quemador de la unidad, obstruyendo el flujo de gas. El gas de reserva puede encenderse detrás del panel de control. Esta llamarada puede dañar la unidad y causar lesiones. Para prevenir las llamaradas y asegurarse de que la unidad funcione bien, se deben retirar y limpiar el ensamblaje del quemador y el tubo del inyector en caso de que la unidad hay estado sin uso por un largo período de tiempo.

#### SI EXPERIMENTA LO SIGUIENTE:

1. Olor a gas.
2. El quemador no se enciende.
3. Una pequeña llama amarilla sale del quemador (debería ser de color azul).
4. Fuego sale de alrededor o detrás de la perilla de control.

#### ¡DETÉNGASE!

#### ¡CIERRE INMEDIATAMENTE EL SUMINISTRO DEL CILINDRO DE GAS LP!

1. Espere que la parrilla se enfríe.
2. Utilice un limpiador de tubos de 12" (30,5 cm) para limpiar el tubo del quemador.

#### Limpieza general de la parrilla

No confunda la acumulación de grasa y humo de color marrón o negro con pintura. Los interiores de las parrillas a gas no se pintan en la fábrica (y nunca deben pintarse). Aplique una fuerte solución de detergente y agua o utilice un limpiador de parrillas con un cepillo de abrasivo sobre el interior de la tapa de la parrilla y en la parte inferior. Enjuague y espere a que se seque al aire por completo. **No aplique un limpiador de parrillas/hornos cáustico sobre las superficies pintadas.**

## Seguridad con los alimentos

La seguridad con los alimentos es una parte muy importante del disfrute de su parrillada al aire libre. Siga estos cuatro pasos básicos para proteger a los alimentos contra las bacterias nocivas:

**Limpieza:** Lávese las manos, lave los utensilios y las superficies con agua jabonosa caliente, antes y después de manipular carnes y aves crudas.

**Separación:** Mantenga las carnes y las piezas de aves crudas separadas de los alimentos listos para comer, para evitar la contaminación cruzada. Use bandejas y utensilios limpios para servir los alimentos preparados.

**Cocción:** Cocine bien las carnes y las piezas de ave, para matar las bacterias. Use un termómetro para verificar que los alimentos alcancen la temperatura interna adecuada.

**Refrigeración:** Refrigere con prontitud los alimentos preparados y las sobras.

**Comuníquese con la Línea de información sobre carnes y aves del Ministerio de Agricultura de EE UU para obtener mayor información, al 1-800-535-4555. En Washington, D.C. por el (202) 720-3333, entre las 10:00 h y las 16:00 h, hora normal del Este.**

## Cómo saber cuándo las carnes están bien cocidas

- El exterior de las carnes y las piezas de ave preparadas en la freidora a menudo se dora rápidamente. Use únicamente carne descongelada y un termómetro para carnes, para verificar que los alimentos alcancen una temperatura interna segura, y corte la carne para verificar visualmente si ya está lista.
- Le recomendamos que antes de cocinar los alimentos en su freidora, éstos estén a una temperatura de al menos 40° F.
- La temperatura de las aves enteras debe alcanzar 165° F. El jugo de las mismas debe ser transparente y la carne no debe tener color rosado.
- Los filetes de carne de res, de ternera, y de cordero, los asados y las chuletas de cerdo se pueden cocer a 145° F.
- NUNCA cocine parcialmente las piezas de carne o de aves, para terminar de cocinarlas después. Cocine los alimentos completamente, para destruir las bacterias nocivas.
- Use un termómetro para verificar que los alimentos alcancen la temperatura interna adecuada.

Recomendadas por USDA	
Temperaturas internas de cocción	
<b>Carne molida</b>	
Carne de vaca, cerdo, ternera, cordero.....	160° F
Pavo, pollo.....	165° F
<b>Carne fresca de vaca, ternera, cordero</b>	
Poco cocido.....	145° F
(con 3 minutos de reposo)	
Medio cocido.....	160° F
Bien cocido.....	170° F
<b>Aves de corral</b>	
Pollo y pavo, entero.....	165° F
Trozos de ave.....	165° F
Pato y ganso.....	165° F
<b>Carne fresca de cerdo</b>	
Poco cocido.....	145° F
(con 3 minutos de reposo)	
Medio cocido.....	165° F
Bien cocido.....	170° F

## Cómo guardar su parrilla

- Cuando el tanque de propano esté conectado a la parrilla, guárdela al aire libre, en un lugar bien ventilado y fuera del alcance de los niños.
- Cubra la parrilla si la guarda al aire libre.
- Guarde la parrilla bajo techo ÚNICAMENTE si el tanque desconectado.
- Luego de retirar la parrilla del lugar donde ha estado guardada, haga una prueba para detectar fugas; y antes de encender la parrilla, siga las instrucciones sobre Cómo limpiar la unidad del quemador.
- Mantenga el área de la parrilla limpia y sin materiales combustibles (como gasolina, propano, o cualquier otro líquido o gas inflamable).
- No obstruya los orificios de la parte inferior ni los de la parte posterior de la parrilla.

## GARANTÍA LIMITADA

Esta garantía es válida únicamente para las unidades adquiridas de los distribuidores autorizados. El fabricante le garantiza únicamente **al consumidor-comprador original**, que este producto no presentará defectos de mano de obra ni de materiales por el período indicado a continuación, contado desde la fecha de compra\*, si se arma correctamente y se usa en el hogar, en condiciones normales y razonables. El fabricante se reserva el derecho de exigir la devolución de las piezas defectuosas, enviadas con el porte o el flete pagado por el consumidor, para ser revisadas y examinadas.

<b>ALCANCE DE LA COBERTURA</b>	<b>PLAZO DE COBERTURA</b>	<b>TIPO DE FALLA AMPARADA</b>
Todas las piezas	90 días a partir de la fecha de compra *	SOLO DEFECTOS DE PERFORACIÓN, DE FABRICACIÓN Y DE MATERIALES

\*Nota: A fecha de recibo de compra serán necesarios para el servicio de garantía.

**Son de responsabilidad del consumidor-comprador original todos los gastos de envío de las piezas cambiadas en virtud de las condiciones de esta garantía limitada.**

Esta garantía limitada es válida únicamente en Estados Unidos y en Canadá, se ofrece únicamente al propietario original del producto y es intrasferible. **El fabricante exige la presentación de evidencia de la fecha de la compra. Por tanto, debe conservar el recibo o la factura de la compra.** La inscripción del producto no reemplaza al comprobante de compra, y el fabricante no se hace responsable ni está obligado a llevar un registro de dichos comprobantes.

Esta garantía limitada atañe ÚNICAMENTE al funcionamiento del producto y no ampara rayones, abolladuras, corrosión ni decoloración ocasionada por el calor, los productos de limpieza abrasivos y químicos, ni por las herramientas usadas en el armado o en la instalación del aparato, oxidación de las superficies ni decoloración de las superficies de acero inoxidable. La pintura no esta garantizada y requiera retoques. **RUST no se considera una de fabricación o materiales defecto.**

**Esta garantía limitada no ampara el costo en el que se incurra por inconvenientes, alimentos, lesiones ni daños a la propiedad.**

### EL FABRICANTE NO PAGARÁ LOS SIGUIENTES RUBROS:

1. El costo de envío normal o acelerado de piezas y repuestos amparados por la garantía
2. Las llamadas de servicio técnico a domicilio.
3. Reparaciones de productos que hayan sido usados para fines distintos a los normales, en casas de más de una familia o no domésticos.
4. Daños, fallas, o dificultades para hacerlo funcionar, ocasionadas por accidentes, modificaciones, manipulación descuidada, uso indebido, abuso, incendio, inundación, casos fortuitos, instalación o mantenimiento inadecuados o que no se realicen de conformidad con las disposiciones de los códigos de instalaciones eléctricas o sanitarias, o uso de productos no autorizados por el fabricante.
5. Pérdida de alimentos debidos a fallas del producto o a la dificultad para hacerlo funcionar.
6. El costo de las piezas de repuesto ni de la mano de obra para la reparación de unidades instaladas fuera de Estados Unidos o de Canadá.
7. La recogida y el envío de su producto.
8. Las reparaciones de piezas o de sistemas que hayan sufrido daños por alteraciones no autorizadas hechas en el producto.
9. La remoción y/o la reinstalación de su producto.

### ESTIPULACIONES DE EXONERACIÓN DE GARANTÍAS IMPLÍCITAS; LIMITACIÓN DE LOS RECURSOS

El único recurso del que usted dispone en virtud de esta garantía limitada es la reparación o el cambio de las piezas defectuosas. En cas de problèmes de disponibilité des pièces, le constructeur se réserve le droit de remplacer des pièces similaires qui sont également fonctionnels. El fabricante no será responsable por ningún tipo de daño accesorio o indirecto ocasionado por el incumplimiento de lo estipulado ya sea en esta garantía limitada o en alguna garantía implícita pertinente, ni por las fallas o los daños ocasionados por actos fortuitos, cuidado y mantenimiento inadecuados, fuego provocado por la grasa, accidentes, modificaciones, cambio de piezas por cualquier persona que no sea el fabricante, uso indebido, transporte, uso con fines comerciales, abuso, ambientes hostiles (condiciones inclementes del tiempo, fenómenos naturales, acción de los animales), instalación inadecuada o instalación que no se realice de conformidad con las disposiciones de los códigos locales o las instrucciones impresas del fabricante.

ESTA GARANTÍA LIMITADA ES LA ÚNICA GARANTÍA EXPLÍCITA OFRECIDA POR EL FABRICANTE. EL FABRICANTE NO GARANTIZA NINGUNA ESPECIFICACIÓN O DESCRIPCIÓN DE RENDIMIENTO DEL PRODUCTO, INDEPENDIENTEMENTE DEL LUGAR DONDE APAREZCAN, SALVO EN LA MEDIDA SEÑALADA EN ESTA GARANTÍA LIMITADA. POR EL PRESENTE, EL PLAZO DE VIGENCIA DE LA PROTECCIÓN QUE OTORGAN LAS GARANTÍAS IMPLÍCITAS, EN VIRTUD DE LAS LEYES DE CUALQUIER ESTADO, INCLUYENDO LA GARANTÍA IMPLÍCITA ACERCA DE LA IDONEIDAD DEL PRODUCTO PARA SU COMERCIALIZACIÓN O PARA ALGÚN PROPÓSITO DETERMINADO, QUEDA LIMITADO AL PLAZO DE VIGENCIA DE ESTA GARANTÍA LIMITADA.

**Ni los distribuidores, ni el negocio minorista que vende este producto, están autorizados para ofrecer ninguna garantía ni para prometer recursos adicionales o incongruentes con los arriba indicados.** En todo caso, el límite máximo de responsabilidad del fabricante no será mayor que el precio de compra pagado por el consumidor original.

NOTA: Algunos estados no permiten la exclusión ni la limitación de daños accesorios o indirectos, de manera que es posible que las limitaciones o exclusiones arriba señaladas no correspondan en su caso. Esta garantía le otorga derechos específicos, señalados aquí. Es posible que usted tenga otros derechos que pueden variar de un estado a otro. Sólo en el estado de California, en el caso en que no sea comercialmente viable reparar o cambiar el acabado del producto, el minorista que vende este producto o el fabricante le reembolsarán el precio de compra pagado por el mismo, menos la cantidad directamente atribuible al uso dado por el consumidor-comprador original, antes de haber descubierto la falla. Además, y únicamente en el estado de California, usted podrá llevar el producto al negocio minorista que venda este producto para solicitar servicios en virtud de esta garantía limitada.

**Si desea obtener algún servicio en virtud de esta garantía limitada, debe dirigir su correspondencia a:**  
**Consumer Relations**  
**P. O. Box 1240**  
**Columbus, GA 31902-1240**

No se aceptarán las devoluciones por parte del consumidor a menos que haya obtenido primero una autorización válida de devolución. Debe rotular de manera legible la parte exterior del paquete de devolución autorizada con su número de autorización de devolución y remitir dicho paquete con el flete o el porte pagado. Se rechazará toda devolución del consumidor que no cumpla con las reglas anteriores.



## Parts List / Liste des pièces / Lista de piezas

Key	Qty	Description
A	1	GRILL LID, W/ TOP HINGES
B	1	COOKING GRATE
C	1	HEAT TENT
D	1	HEAT SHIELD
E	1	FIREBOX
F	1	BURNER ASSEMBLY
G	2	HINGE, F/ GRILL LID, BOTTOM
H	2	SIDE HANDLE
I	1	REGULATOR
J	1	LID HANDLE
K	2	LID HANDLE BEZEL
L	2	FLAME TAMER SUPPORT
M	1	GREASE TRAY RAIL
N	1	GREASE TRAY
O	1	LEG, RIGHT FRONT, F/ IGNITOR
P	1	LEG, LEFT REAR
Q	2	LEG, RIGHT REAR, LEFT FRONT
R	1	IGNITOR
S	1	ELECTRODE, W/ WIRE
T	1	LOGO PLATE

### NOT Pictured

...	1	HARDWARE PACK
...	1	ASSEMBLY MANUAL, ENGLISH, FRENCH, SPANISH
...	1	LID HARDWARE

Ítem	Cant.	Descripción
A	1	TAPA DE PARRILLA, C/BISAGRAS SUPERIORES
B	1	REJILLA DE COCCIÓN
C	1	DIFUSOR DE CALOR
D	1	PROTECTOR DE CALOR
E	1	CAJA DE COMBUSTIÓN
F	1	ENSAMBLAJE DEL QUEMADOR
G	2	BISAGRA, P/TAPA DE PARRILLA, PARTE INFERIOR
H	2	MANIJA LATERAL
I	1	REGULADOR
J	1	MANIJA DE TAPA
K	2	BISEL DE MANIJA DE TAPA
L	2	SOPORTE DE DIFUSOR DE CALOR
M	1	RIEL DE BANDEJA DE GRASA
N	1	BANDEJA DE GRASA
O	1	PATA, DELANTERA DERECHA, P/ENCENDIDO
P	1	PATA, TRASERA IZQUIERDA
Q	2	PATA, TRASERA DERECHA, DELANTERA IZQUIERDA
R	1	ENCENDIDO
S	1	ELECTRODO, C/CABLE
T	1	PLACA DE LOGOTIPO

### Partes NO ilustradas

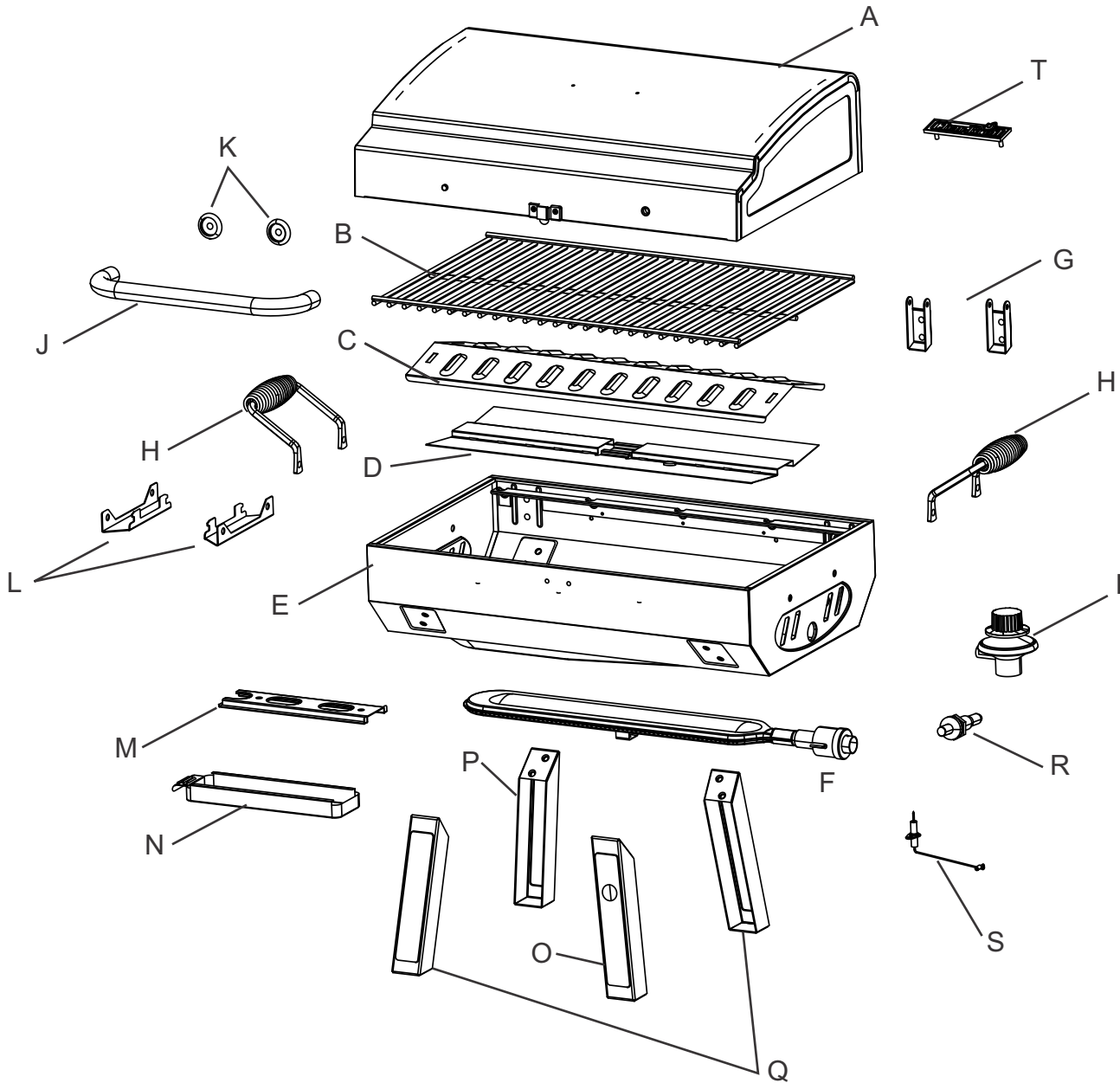
...	1	PAQUETE DE COMPONENTES
...	1	MANUAL DE ENSAMBLAJE, INGLÉS, FRANCÉS, ESPAÑOL
...	1	COMPONENTES DE TAPA

Cle	Qte	Description
A	1	COUVERCLE GRIL AVEC CHARNIÈRES SUPÉRIEURES
B	1	GRILLE DE CUISSON
C	1	RÉDUCTEUR DE FLAMMES
D	1	ÉCRAN THERMIQUE
E	1	FOYER
F	1	ASSEMBLAGE DU BRÛLEUR
G	2	CHARNIÈRE POUR COUVERCLE GRIL, FOND
H	2	POIGNÉE LATÉRALE
I	1	RÉGULATEUR
J	1	POIGNÉE DU COUVERCLE
K	2	PLAQUE DE POIGNÉE DU COUVERCLE
L	2	SUPPORT POUR RÉDUCTEUR DE FLAMMES
M	1	GLISSIÈRES COLLECTEUR DE GRAISSE
N	1	COLLECTEUR DE GRAISSE
O	1	PIED AVANT DROIT POUR DISPOSITIF D'ALLUMAGE
P	1	PIED ARRIÈRE GAUCHE
Q	2	PIED ARRIÈRE DROIT, AVANT GAUCHE
R	1	DISPOSITIF D'ALLUMAGE
S	1	ÉLECTRODE DU DISPOSITIF D'ALLUMAGE AVEC FIL
T	1	PLAQUE GRIFFÉE

### NON ILLUSTRÉ

-	1	SACHET DE QUINCAILLERIE
-	1	MANUEL D'ASSEMBLAGE ANGLAIS, FRANÇAIS, ESPAGNOL
-	1	MATÉRIEL COUVERCLE

Parts Diagram / Schéma des pièces / Diagrama de piezas



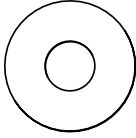
# 1



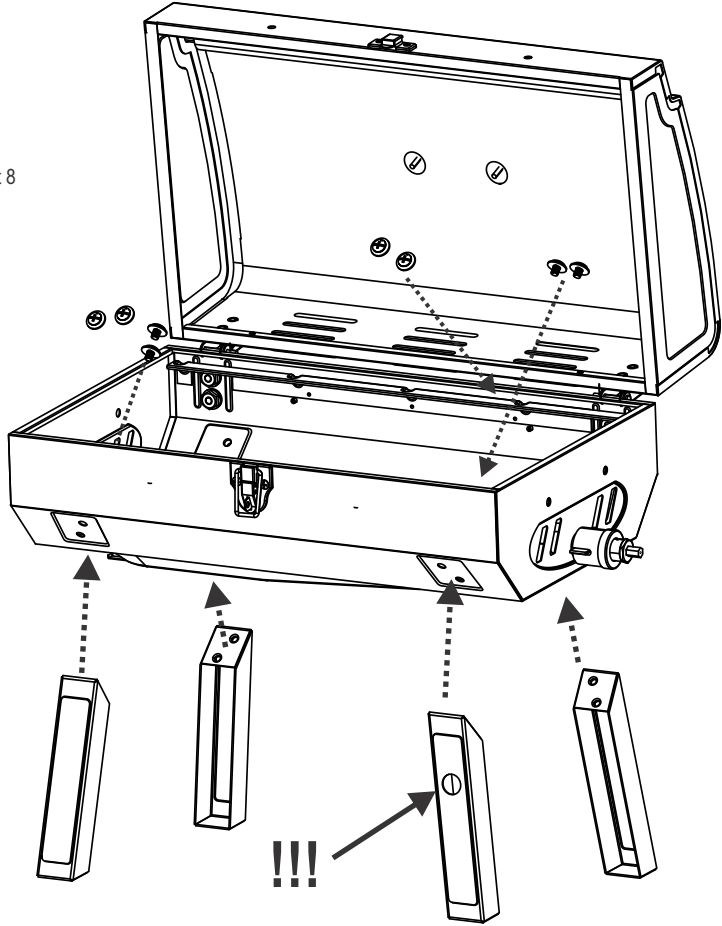
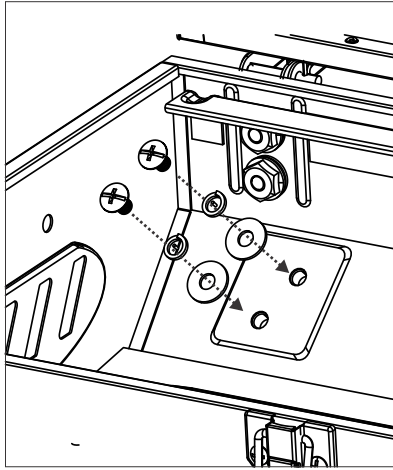
M6 x 10 screw Qty 8  
 M6 x 10 vis Qté. 8  
 M6 x 10 tornilla Cant 8



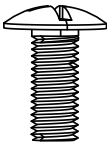
M6 lock washer Qty 8  
 M6 rondelle frein Qté. 8  
 M6 arandela de seguridad Cant 8



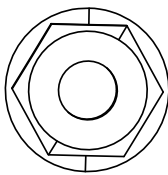
M6 flat washer Qty 8  
 M6 rondelle plate Qté. 8  
 M6 arandela plana Cant 8



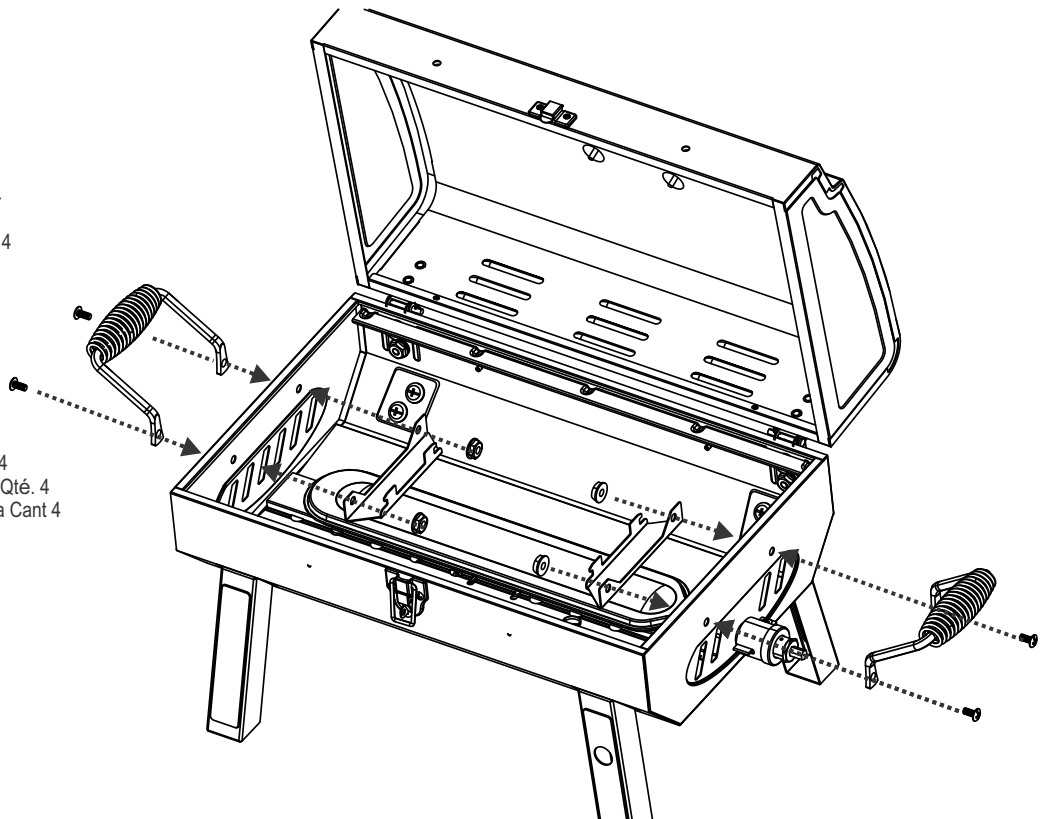
# 2



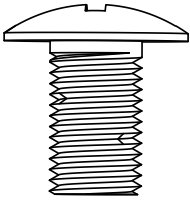
M6 x 15 screw Qty 4  
 M6 x 15 vis Qté. 4  
 M6 x 15 tornilla Cant 4



M6 flange nut Qty 4  
 M6 écrou à embase Qté. 4  
 M6 tuerca de la brida Cant 4



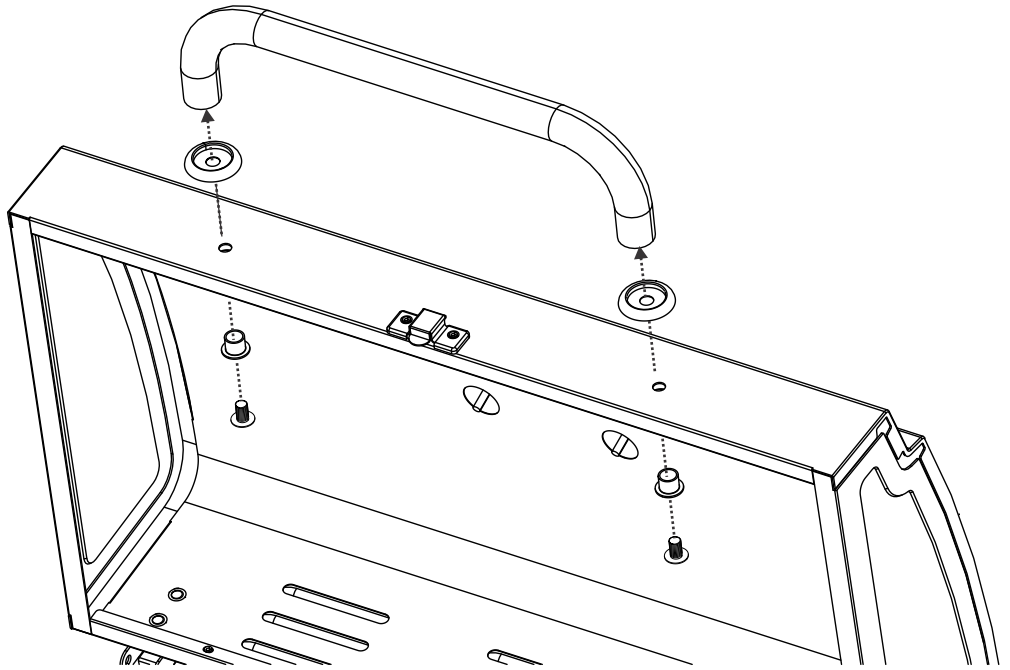
**3**



M6 x 20 screw Qty 2  
M6 x 20 vis Qté. 2  
M6 x 20 tornilla Cant 2

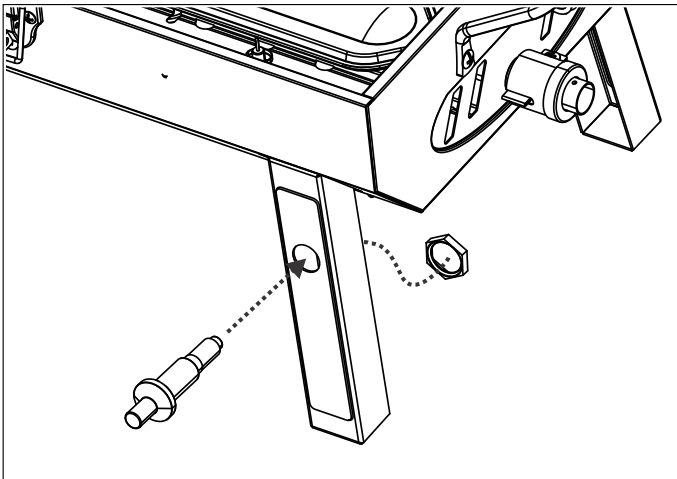


Handle Sleeve Qty 2  
Poignée Manches Qté. 2  
Maneje Manga Cant 2

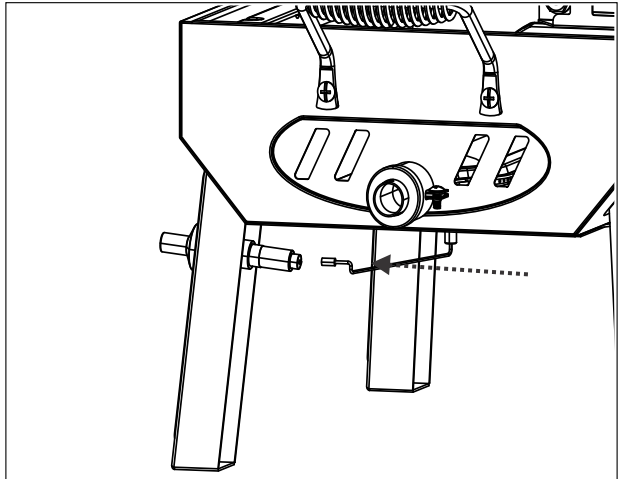


**4**

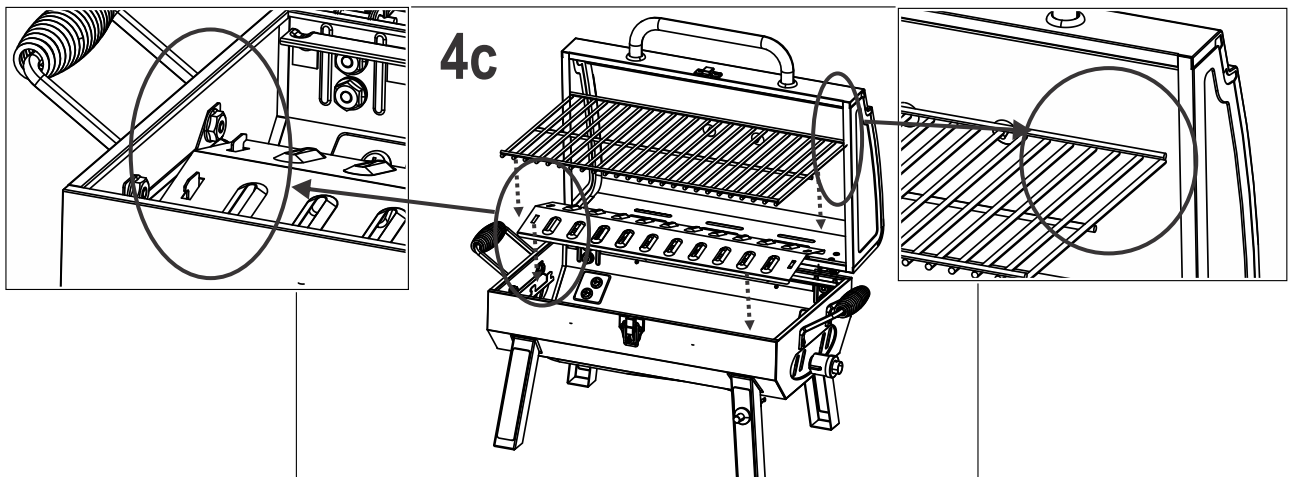
**4a**



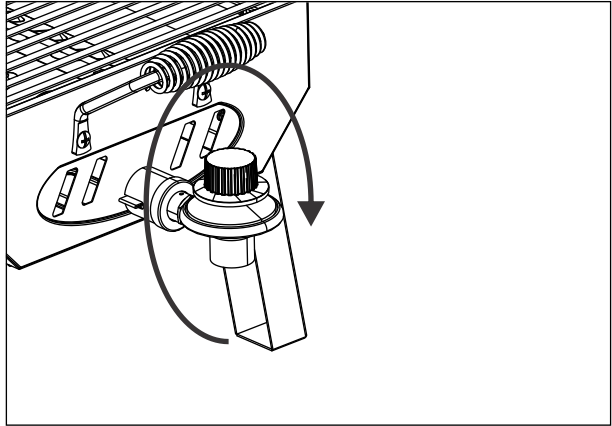
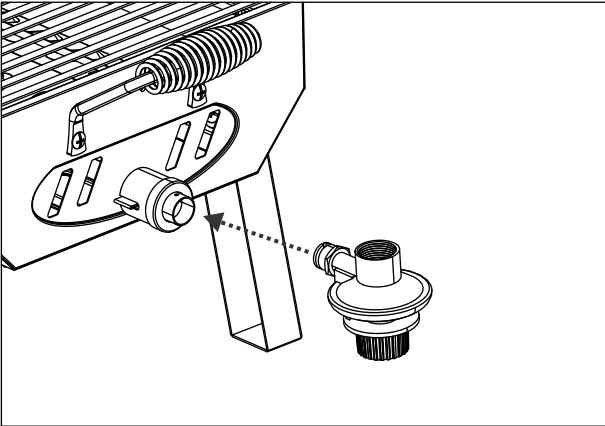
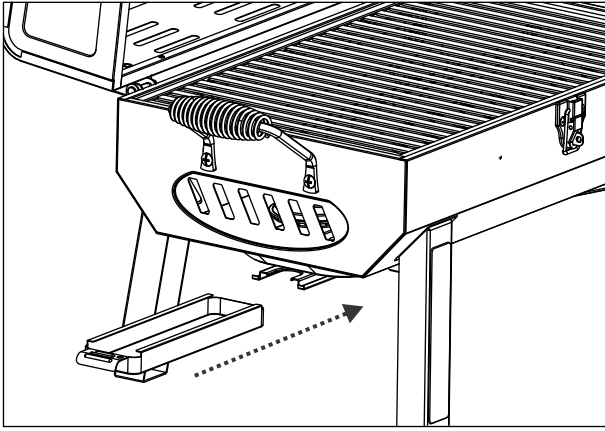
**4b**



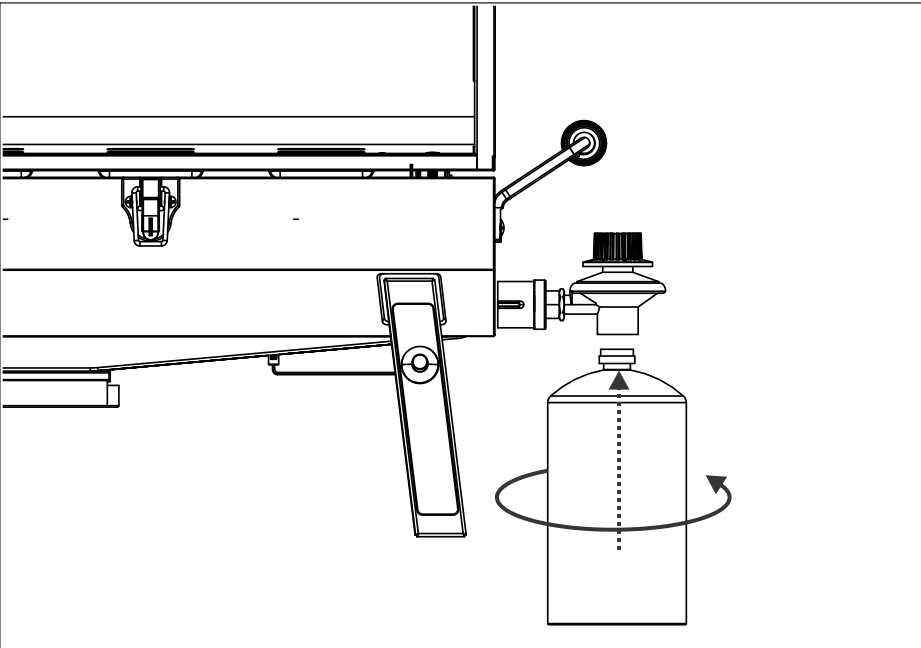
**4c**



5



6





# Three convenient ways to register your product: Trois façons pratiques d'enregistrer votre produit: Tres formas convenientes de registrar su producto:

1 Online  
En ligne  
En línea

[www.charbroil.com/register](http://www.charbroil.com/register)

2 Scan QR Code  
En scannant le code QR  
Escaneando el código QR



3 By mail | Par la poste | Por correo

PLEASE FILL OUT THIS CARD AND ATTACH A COPY OF YOUR SALES RECEIPT. RETURN IT WITHIN 10 DAYS OF PURCHASE. FOR WARRANTY SERVICE PROOF OF PURCHASE WILL BE REQUIRED. THIS WARRANTY IS NON-TRANSFERABLE.

LLENE ESTA TARJETA Y DEVUELVALA DENTRO DE LOS 10 DIAS DE LA COMPRA. PARA EL SERVICIO DE GARANTIA ES NECESARIO QUE PRESENTE SU COMPROBANTE DE COMPRA. CONSERVE LA FACTURA. ESTA GARANTIA ES INTRANSFERIBLE.

VEUILLEZ COMPLETER CETTE CARTE ET LA RETOURNER DANS LES 10 JOURS SUIVANT L'ACHAT. POUR OBTENIR LE SERVICE SOUS GARANTIE, UNE PREUVE D'ACHAT DOIT ETRE PRESENTEE. VEUILLEZ CONSERVER VOTRE FACTURE. LA PRESENTE GARANTIE N'EST PAS TRANSFERABLE.

\*Required | Necesario | Exigé

~ PLEASE PRINT ~ IMPRIMA POR FAVOR ~ S'IL VOUS PLAÎT IMPRIMER ~

\* 1. First Name | Nombre | Prénom Initial | Inicial | Initiale Last Name | Apellido | Nom de Famillie

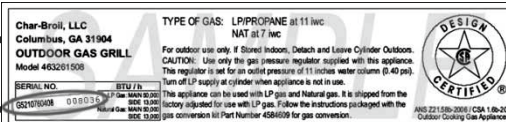
Address (number & street) | Dirección (número y calle) | Adresse (numéro et rue) Apt Number | Nº de apart | Nº d'apt.

City | Ciudad | Ville State | Estado | Province Zip Code | Código Zip | Code Postal

\* 2. E-mail Address | Dirección de correo electrónico | Adresse électronique \* 3. Phone Number | Número telefónico | Numéro de téléphone

\* 4. Model Number | Número de modelo | Numéro de modèle

Serial Number | Número de serie | Numéro de série



STICKER ON PRODUCT

\* 5. Attach copy of your sales receipt here.

Adjunte aqui la copia de su recibo de compra

Veillez attacher une copie de votre reçu ici.

6. Date of Purchase | Fecha de compra | Date de l'achat

\$

8. Purchase Price | Precio de compra | Prix d'achat

7. Store Name | Nombre de la tienda | Nom du magasin

9. Your Gender | Sexo | Sexe:

- Male | Masculino | Masculin  
 Female | Femenino | Féminin

10. Which product are you registering?

¿Qué producto está registrando?

Quel produit enregistrez-vous?

1.  Gas Grill | Parrilla a gas | Gril au gaz
2.  Electric Grill | Parrilla eléctrica | Gril électrique
3.  Smoker | Ahumador | Fumoir
4.  Charcoal Grill | Parrilla a carbón | Barbecue au charbon
5.  Cooker/Fryer | Cocina/freidora | Cuisneur/Friteuse
6.  Other | Otro | Autre

Mail to: / Enviar a: / Envoyer à :

Char-Broil Warranty Registration  
P.O. Box 1240  
Columbus, GA 31902-1240

We respect your privacy. | Respetamos su privacidad. | Nous respectons votre vie privée.

- If you prefer not to receive special offers and promotions from Char-Broil, please check here:
- Marque aquí si no desea recibir ofertas y promociones especiales de Char-Broil:
- Si vous préférez ne pas recevoir d'informations concernant des offres spéciales et des promotions de Charbroil, veuillez cocher ici:

Thank you for completing this questionnaire. | Gracias por completar este cuestionario. | Merci d'avoir bien voulu remplir ce questionnaire.

# THANK YOU

FOR YOUR RECENT  
PURCHASE FROM  
CHAR-BROIL®

## CHECK OUT THESE GREAT FEATURES ON OUR WEBSITE

- Valuable product information
- Inspiring grilling accessories
- Reliable customer support
- Delicious recipes and tips from chefs
- Exciting events and promotions
- And much more!

# MERCI

DE VOTRE RÉCENT  
ACHAT D'UN PRODUIT  
DE CHAR-BROIL

## VISITEZ NOTRE SITE WEB POUR PROFITER DES FABULEUX AVANTAGES SUIVANTS

- Les informations valables de produit
- Inspirer griller les accessoires
- Le soutien clientèle fiable
- Les recettes délicieuses et se renverse des chefs de cuisine
- Événements passionnants et promotions
- Et beaucoup plus!

# GRACIAS

POR SU RECIENTE  
COMPRA EN  
CHAR-BROIL

## VISITE NUESTRO SITIO WEB PARA VER INTERESANTE INFORMACIÓN

- Información valiosa de producto
- Accesorios Que inspiran la parrilla
- Confiable servicio de atención al cliente
- Acontecimientos y promociones emocionantes
- Deliciosos recetas y consejos de los mejores cocineros
- ¡Y mucho más!



REGISTER YOUR  
PRODUCT TO  
RECEIVE A  
SPECIAL OFFER  
[CHARBROIL.COM/REGISTER](http://CHARBROIL.COM/REGISTER)

ENREGISTREZ  
VOTRE PRODUIT  
RECEVOIR UNE  
OFFRE SPECIAL  
[CHARBROIL.COM/REGISTER](http://CHARBROIL.COM/REGISTER)

REGISTRE SU  
PRODUCTO PARA  
RECIBIR UNA  
OFERTA ESPECIAL  
[CHARBROIL.COM/REGISTER](http://CHARBROIL.COM/REGISTER)