



TX 93546
Flags over Texas Metal Bench



TX 94106
Metal End Bench



TX 94104
Metal Bench Fleur De Lis



TX 94101
Welcome Metal Bench

This beautifully crafted and finished *Metal Bench Texas Seal* is an inviting piece of furniture for any home.

United General Supply strives to design, manufacture or distribute goods of the highest quality. For more products, please visit www.leighcountry.com

Limited One Year Finish Warranty

** (non-transferable) **

This product is covered under United General Supply's (UGS) one (1) year limited warranty. To the original purchaser of this furniture, UGS warrants that this piece of furniture is and will be free from defects in material and workmanship for up to one year from the date of purchase under normal use and proper care. Replacement of defective or missing parts will be sent at no charge to the customer for a period of 15 days from the date of purchase. UGS will no longer be responsible for missing parts or hardware 15 days after date of purchase.

Freight, packaging, labor or material charges to and from our customer service center is not covered under the warranty and is therefore the customer's responsibility. The limited warranty does not cover this piece of furniture for commercial purposes, abusive use, damage by modification, freeze damage, rust, fading and issues caused by improper care.

For the least maintenance, place under covered area.

Proof of purchase (date register receipt) and photos will be required for warranty claims.

For any questions or claims, please contact customer service.

CUSTOMER SERVICE
1-877-87LEIGH (53444)
info@leetools.com
www.leighcountry.com



Designed and Distributed by:
United General Supply Co., Inc.
Houston, TX 77036
Made in China

Authentic Country Living

Metal Bench Texas Seal

Instruction Manual



Item No.: TX 93547

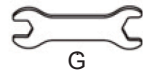
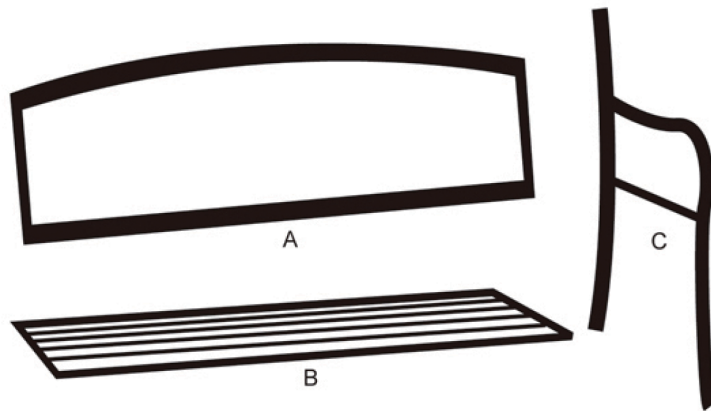
Read the instructions before use of this product.
Please keep this instruction manual for future reference.


For warranty information, please refer to the back page of this instruction manual.

PARTS & HARDWARE LIST

PART#	DESCRIPTION	QUANTITY
A	BACK PANEL	1
B	SEAT PANEL	1
C	ARM FRAME	2
D	BOLT M6	10
E	HEX NUT	10
F	PLASTIC NUT COVER	10
G	WRENCH	2

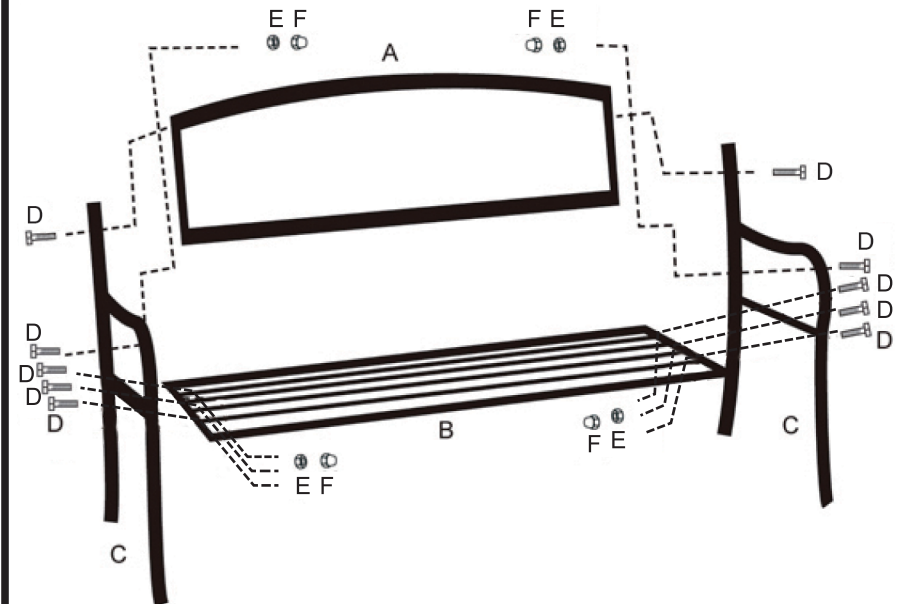
Parts Detail




 Please make sure that every piece of furniture and all hardware are present before assembling this bench.

ASSEMBLY INSTRUCTIONS

Figure 1



 **CAUTION:** Until every part and piece is set and secured in place, do **NOT** secure the nuts tightly together.

1. (SEE FIGURE 1) Take Seat Panel (B) and align the holes to the holes of the Arm Frame (C) and secure by inserting Bolts (D) through the Arm Frame then Seat Panel. Secure the Bolts (D) with the Hex Nuts (E) on the inside of the Seat Panel. Repeat for the other the Arm Frame (C).

Do not fully tighten the Nuts and Bolts.

2. Slide Back Panel (A) between the Arm Frames (C) and align the holes. Secure by inserting Bolts (D) through the Arm Frame then Back Panel (A). Secure the Bolts (D) with the Hex Nuts (E) on the inside of the Back Panel. Repeat for the other the Arm Frame (C).

3. Once all Hex Nuts and Bolts are secured, tighten all Bolts (D) with the Wrench (G).

4. Slide Plastic Nut Covers (F) over all exposed bolt ends.