

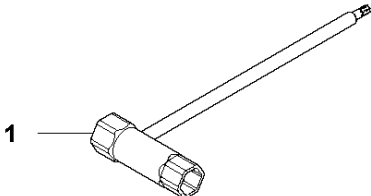


SPARE PARTS LIST

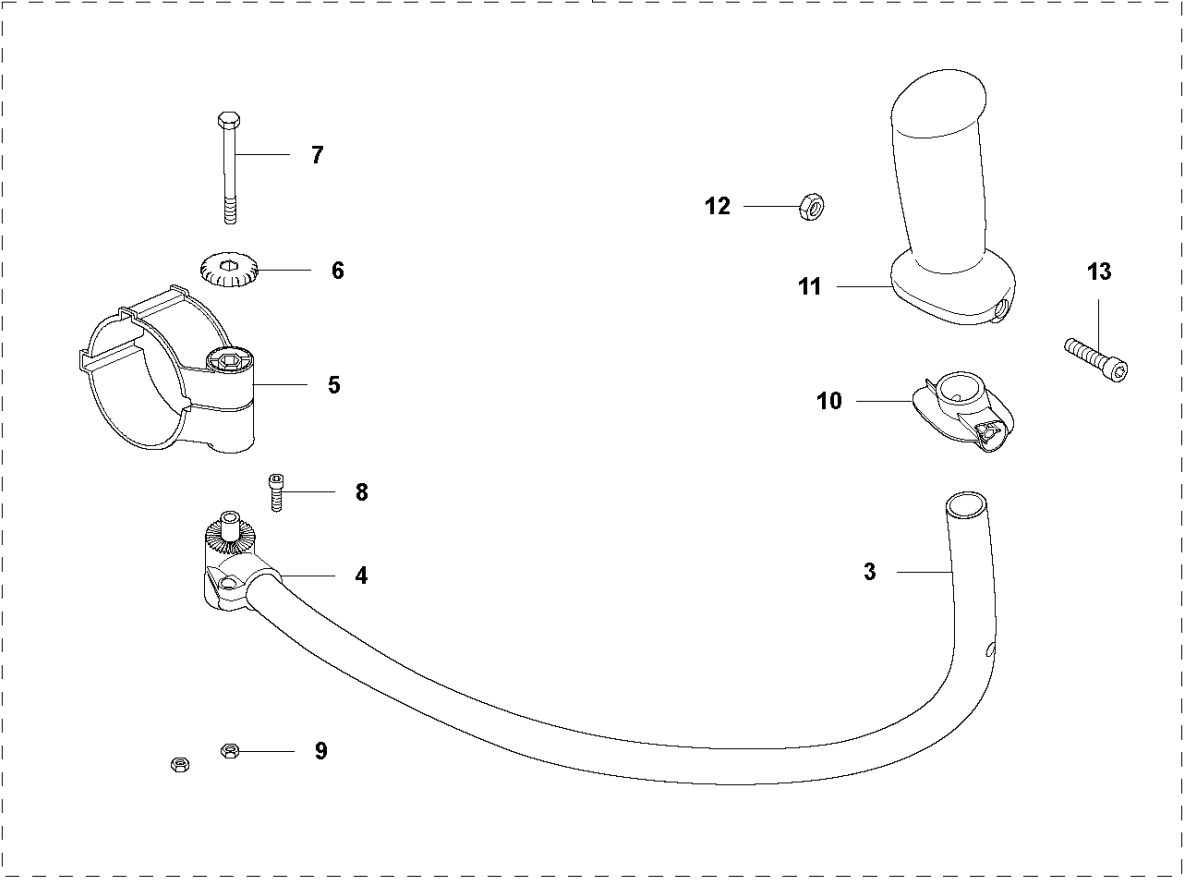
BLOWERS

360 BT

R 360BT
ACCESSORIES



2

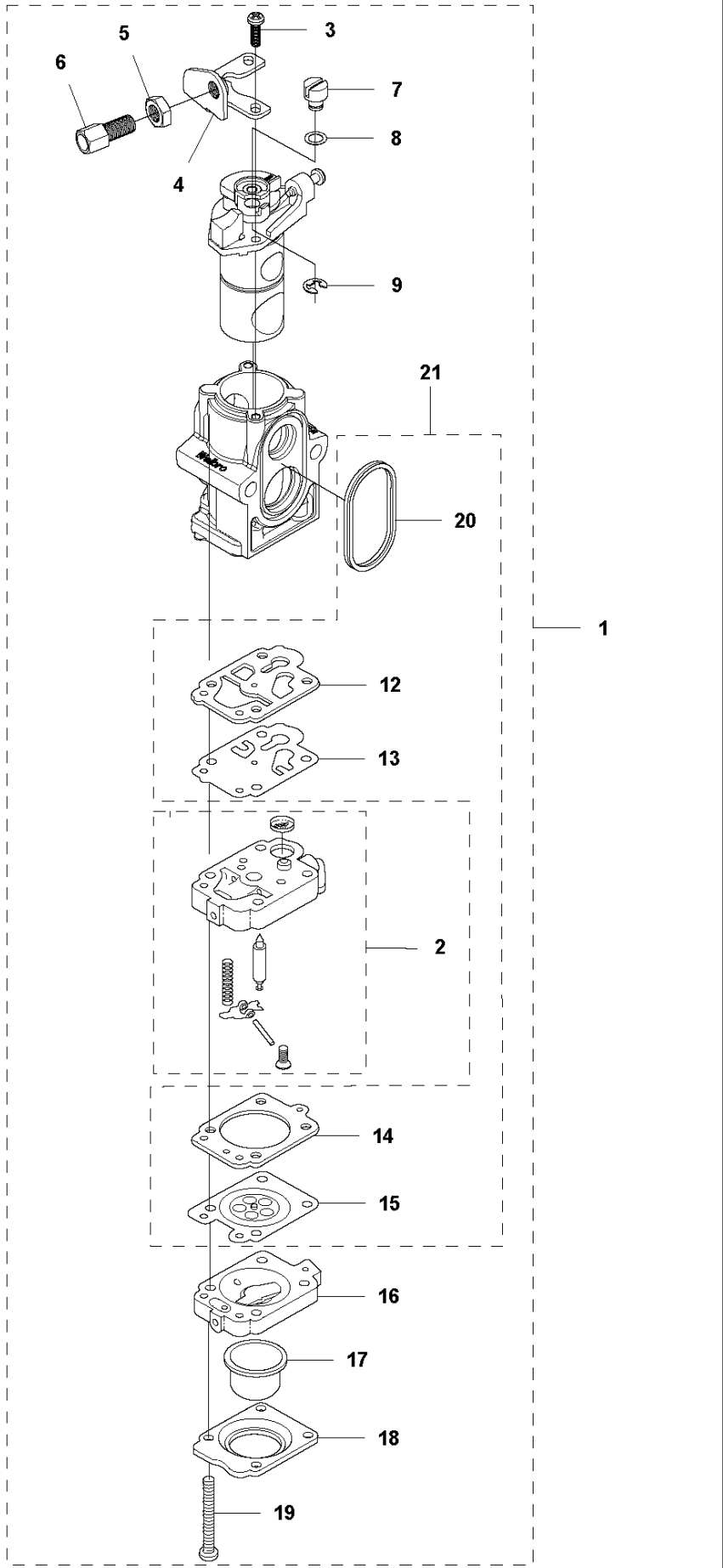


ACCESSORIES

360 BT

| Ref | Part No | Description | Remark | QTY | KIT |
|-----|--------------|----------------|--------|-----|-----|
| 1 | 521 53 30-01 | SOCKET | | 1 | |
| 2 | 544 40 00-01 | HANDLEBAR ASSY | | 1 | |
| 3 | 537 24 13-01 | HANDLEBAR | | 1 | 2 |
| 4 | 537 29 29-01 | BRACKET | | 1 | 2 |
| 5 | 577 31 77-01 | HANDLE HOLDER | | 1 | 2 |
| 6 | 502 20 40-01 | KNOB | | 1 | 2 |
| 7 | 725 23 47-51 | SCREW EHHM | | 1 | 2 |
| 8 | 725 53 25-55 | SCREW IHSCM | | 1 | 2 |
| 9 | 731 23 14-01 | HEXAGON NUT | | 2 | 2 |
| 10 | 537 17 29-01 | COVER | | 1 | 2 |
| 11 | 537 17 28-01 | HANDLE | | 1 | 2 |
| 12 | 731 23 14-01 | HEXAGON NUT | | 1 | 2 |
| 13 | 503 20 02-45 | SCREW IHSCFM | | 1 | 2 |

Q 360BT
CARBURETOR

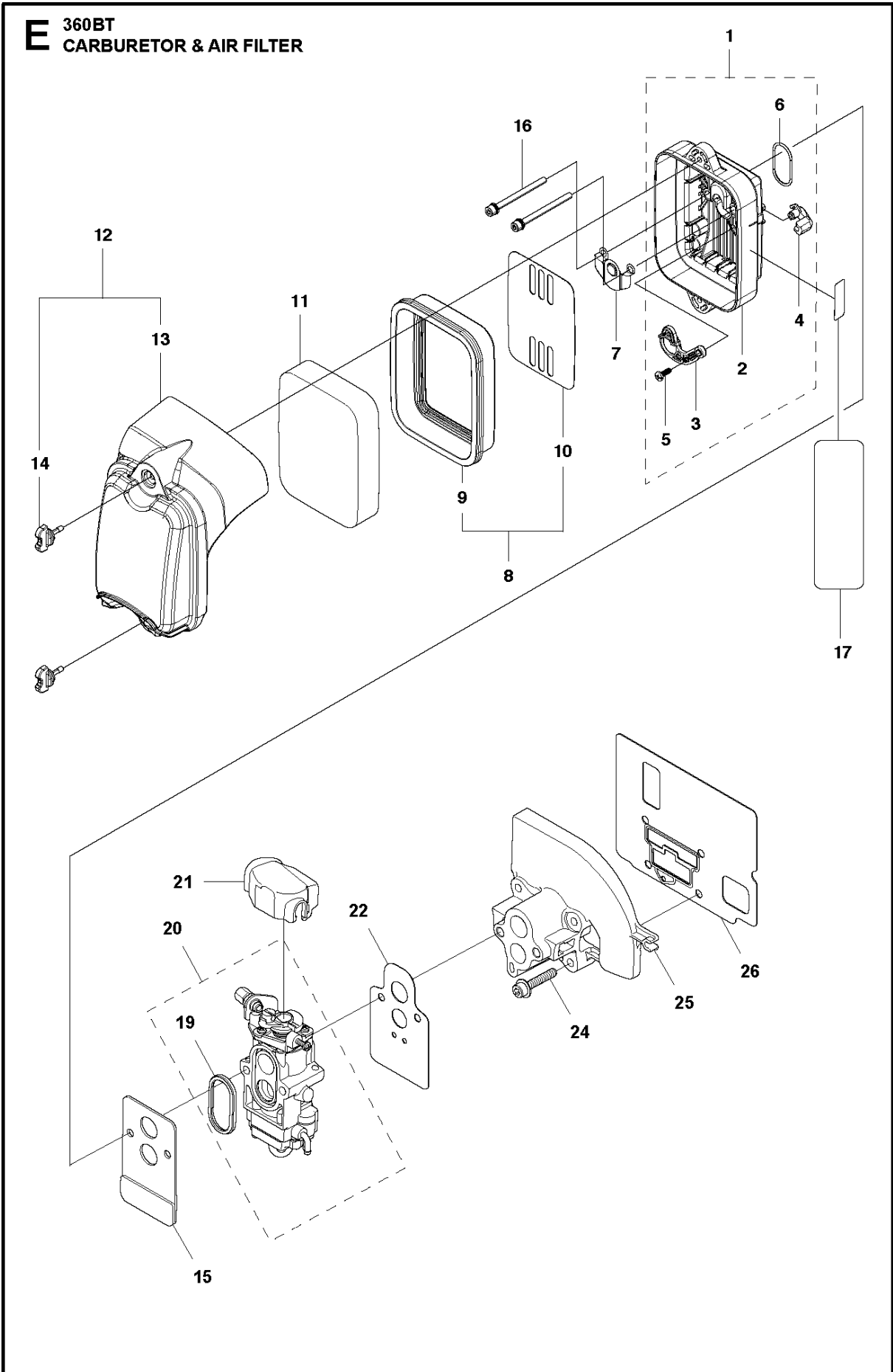


CARBURETOR

360 BT

| Ref | Part No | Description | Remark | QTY | KIT |
|-----|--------------|------------------|--------|-----|-------|
| 1 | 581 15 58-01 | CARBURETTOR | | 1 | |
| 2 | 544 36 35-01 | BODY CARBURETTOR | | 1 | 1 |
| 3 | 505 30 79-01 | SCREW | | 2 | 1 |
| 4 | 506 74 60-01 | BRACKET | | 1 | 1 |
| 5 | 506 61 26-01 | NUT | | 1 | 1 |
| 6 | 506 74 13-01 | SCREW | | 1 | 1 |
| 7 | 506 74 12-01 | SWIVEL | | 1 | 1 |
| 8 | 506 74 61-01 | WASHER | | 1 | 1 |
| 9 | 506 73 86-01 | RING | | 1 | 1 |
| 12 | 506 74 51-01 | GASKET | | 1 | 1, 21 |
| 13 | 506 68 98-01 | DIAPHRAGM | | 1 | 1, 21 |
| 14 | 506 74 08-01 | GASKET | | 1 | 1, 21 |
| 15 | 505 30 68-01 | DIAPHRAGM | | 1 | 1, 21 |
| 16 | 506 74 09-01 | BODY | | 1 | 1 |
| 17 | 505 30 67-01 | PUMP | | 1 | 1 |
| 18 | 506 74 10-01 | COVER | | 1 | 1 |
| 19 | 506 74 11-01 | SCREW | | 4 | 1 |
| 20 | 521 63 15-01 | RING | | 1 | 1, 21 |
| 21 | 511 45 95-01 | GASKET KIT | | 1 | |

E 360BT
CARBURETOR & AIR FILTER

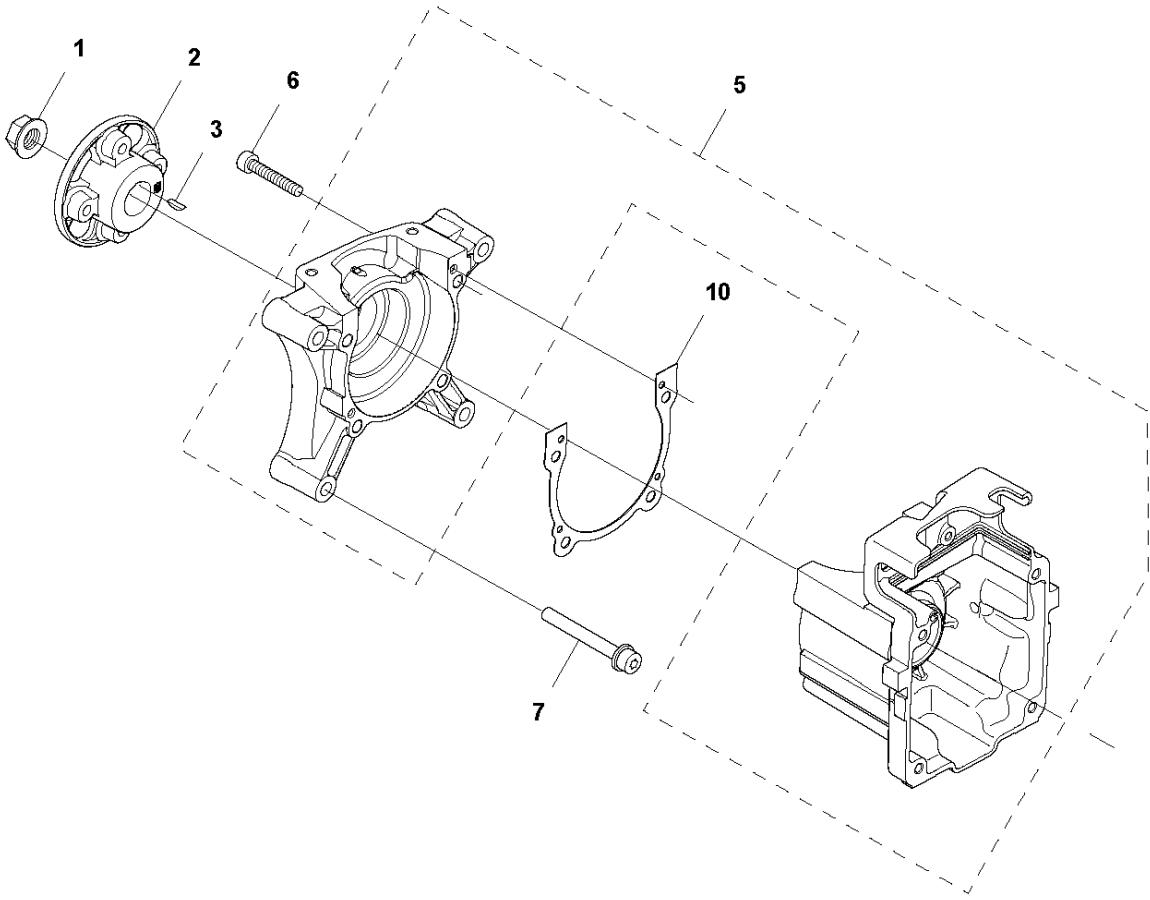


CARBURETOR & AIR FILTER

360 BT

| Ref | Part No | Description | Remark | QTY | KIT |
|-----|--------------|-------------------|--------|-----|-----|
| 1 | 502 84 49-02 | AIR FILTER HOLDER | | 1 | |
| 2 | 577 96 15-01 | AIR FILTER HOLDER | | 1 | 1 |
| 3 | 512 25 96-01 | PLATE.CHOKE | | 1 | 1 |
| 4 | 521 74 05-01 | LEVER | | 1 | 1 |
| 5 | 581 73 62-01 | SCREW | | 1 | 1 |
| 6 | 512 26 00-01 | O-RING | | 1 | 1 |
| 7 | 502 84 47-01 | PLATE | | 1 | |
| 8 | 502 84 45-01 | GASKET | | 1 | |
| 9 | 512 26 03-01 | PACKING | | 1 | 8 |
| 10 | 512 26 04-01 | SCREEN | | 1 | 8 |
| 11 | 502 84 44-02 | AIR FILTER | | 1 | |
| 12 | 577 18 14-01 | AIR FILTER COVER | | 1 | |
| 13 | 577 03 01-01 | AIR FILTER COVER | | 1 | 12 |
| 14 | 502 84 43-01 | KNOB | | 2 | 12 |
| 15 | 578 27 40-01 | PLATE | | 1 | |
| 16 | 502 84 46-01 | SCREW | | 2 | |
| 17 | 521 74 02-01 | LABEL | | 1 | |
| 19 | 521 63 15-01 | RING | | 1 | 20 |
| 20 | 581 15 58-01 | CARBURETTOR | | 1 | |
| 21 | 506 74 42-01 | COVER | | 1 | |
| 22 | 577 08 96-01 | GASKET | | 1 | |
| 24 | 576 58 98-01 | BOLT | | 1 | |
| 25 | 578 10 84-01 | INSULATOR | | 1 | |
| 26 | 577 69 48-01 | GASKET | | 1 | |

K 360BT
CRANK CASE

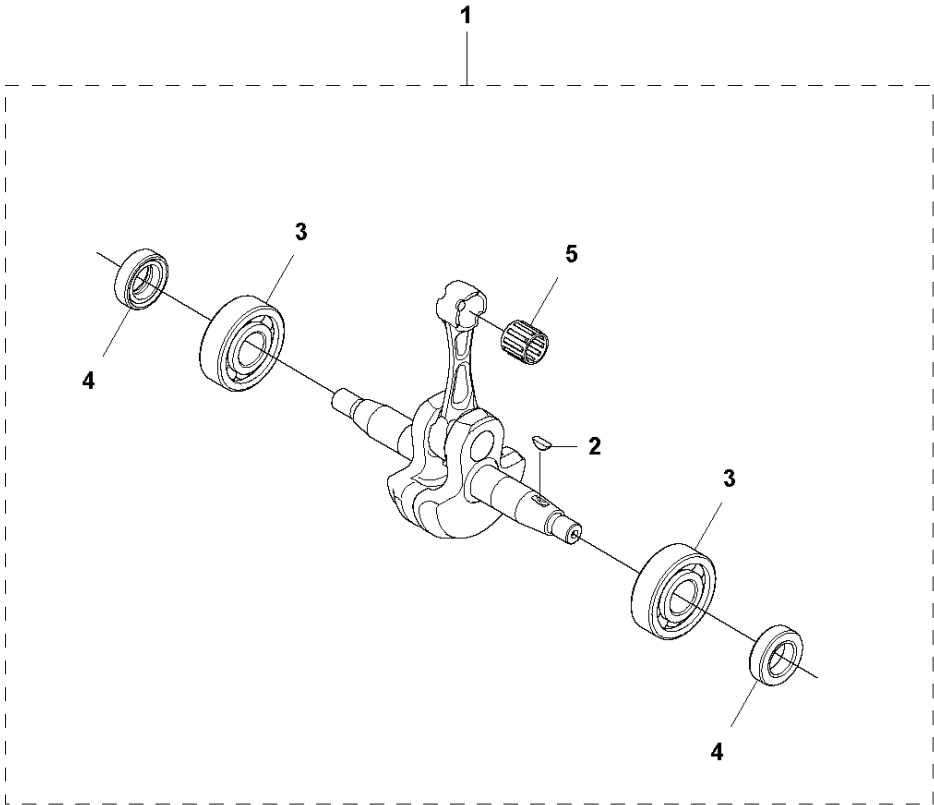


CRANKCASE

360 BT

| Ref | Part No | Description | Remark | QTY KIT |
|-----|--------------|-------------|--------|---------|
| 1 | 513 24 19-01 | NUT | | 1 |
| 2 | 577 14 43-01 | COUPLING | | 1 |
| 3 | 506 68 94-01 | KEY | | 1 |
| 5 | 577 06 74-01 | CRANKCASE | | 1 |
| 6 | 515 38 81-01 | BOLT | | 4 |
| 7 | 576 56 43-01 | BOLT | | 4 |
| 10 | 576 59 16-01 | GASKET | | 1 |

L 360BT
CRANK SHAFT

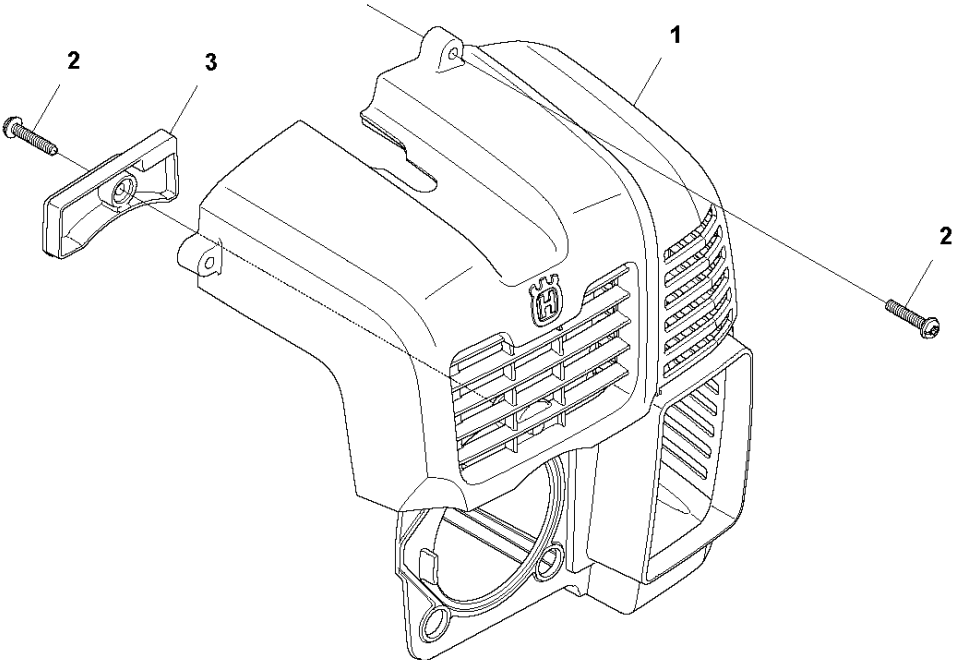


CRANKSHAFT

360 BT

| Ref | Part No | Description | Remark | QTY KIT |
|-----|--------------|-------------|--------|---------|
| 1 | 578 38 51-02 | TBD | | 1 |
| 2 | 506 68 94-01 | KEY | | 1 |
| 3 | 521 52 13-01 | BEARING | | 2 |
| 4 | 521 52 19-01 | SEAL | | 2 |
| 5 | 576 69 64-01 | BEARING | | 1 |

C 360BT
CYLINDER COVER

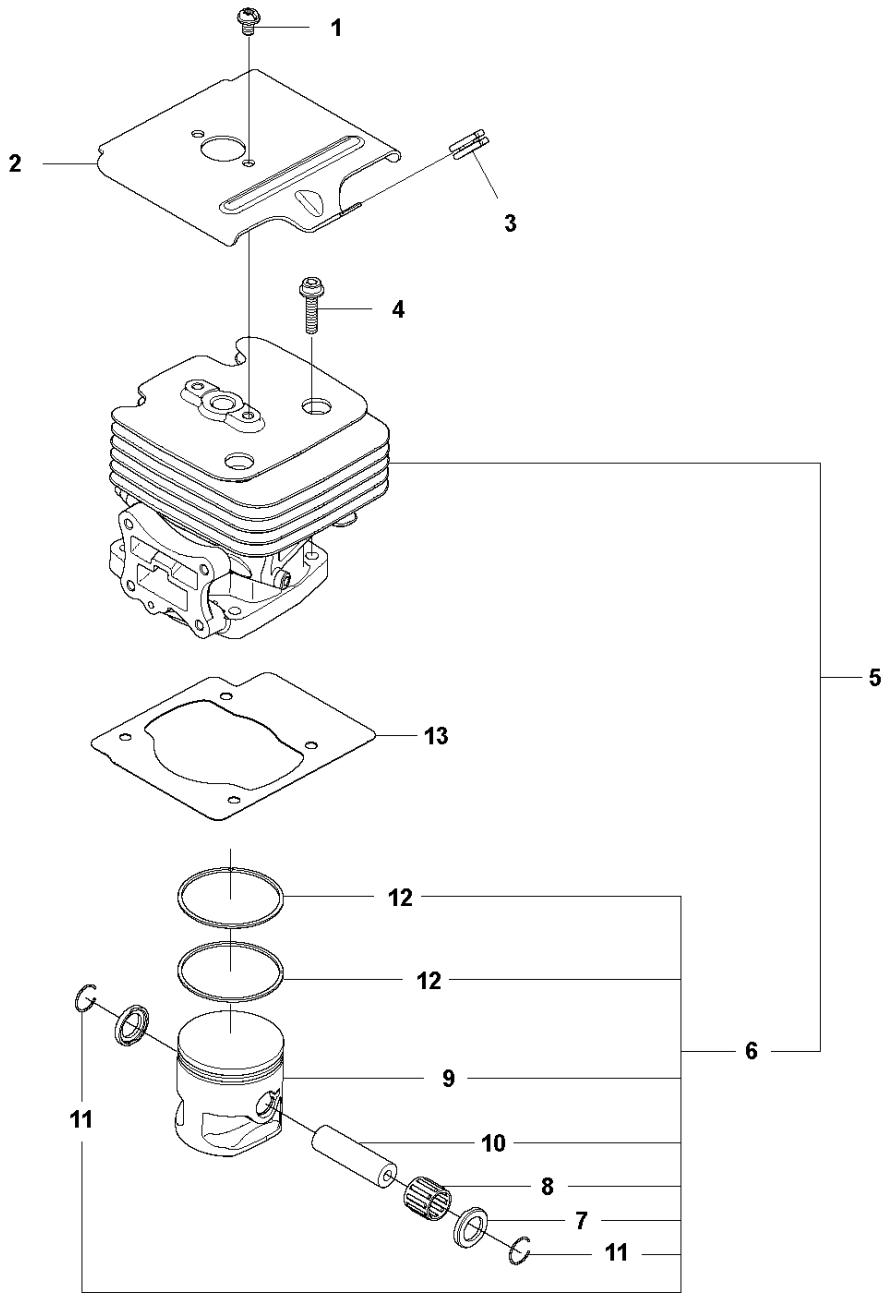


CYLINDER COVER

360 BT

| Ref | Part No | Description | Remark | QTY KIT |
|-----|--------------|--------------|--------|---------|
| 1 | 576 57 85-01 | ENGINE COVER | | 1 |
| 2 | 512 84 81-01 | SCREW | | 5 |
| 3 | 576 57 86-01 | COVER | | 1 |

J 360BT
CYLINDER & PISTON

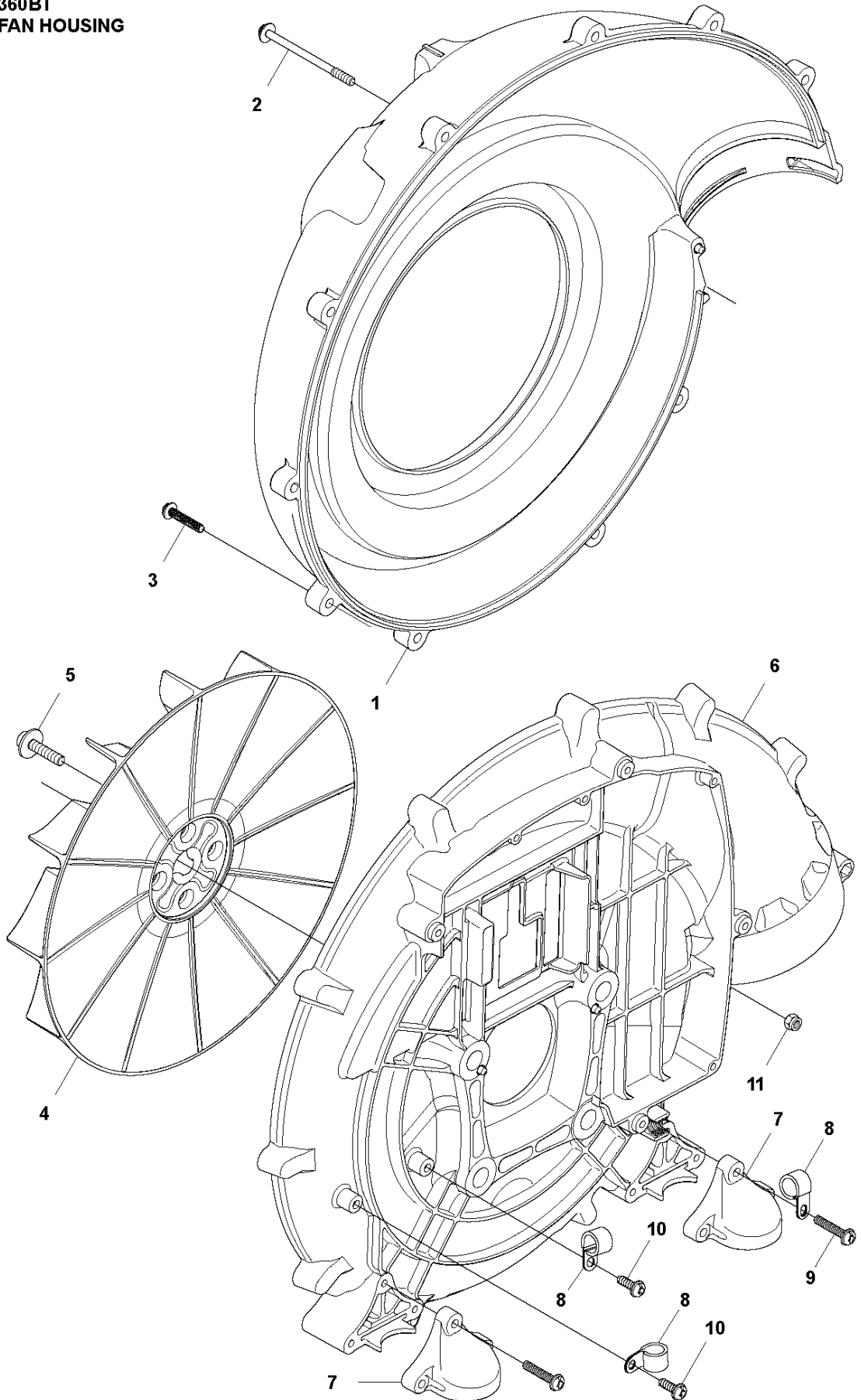


CYLINDER PISTON

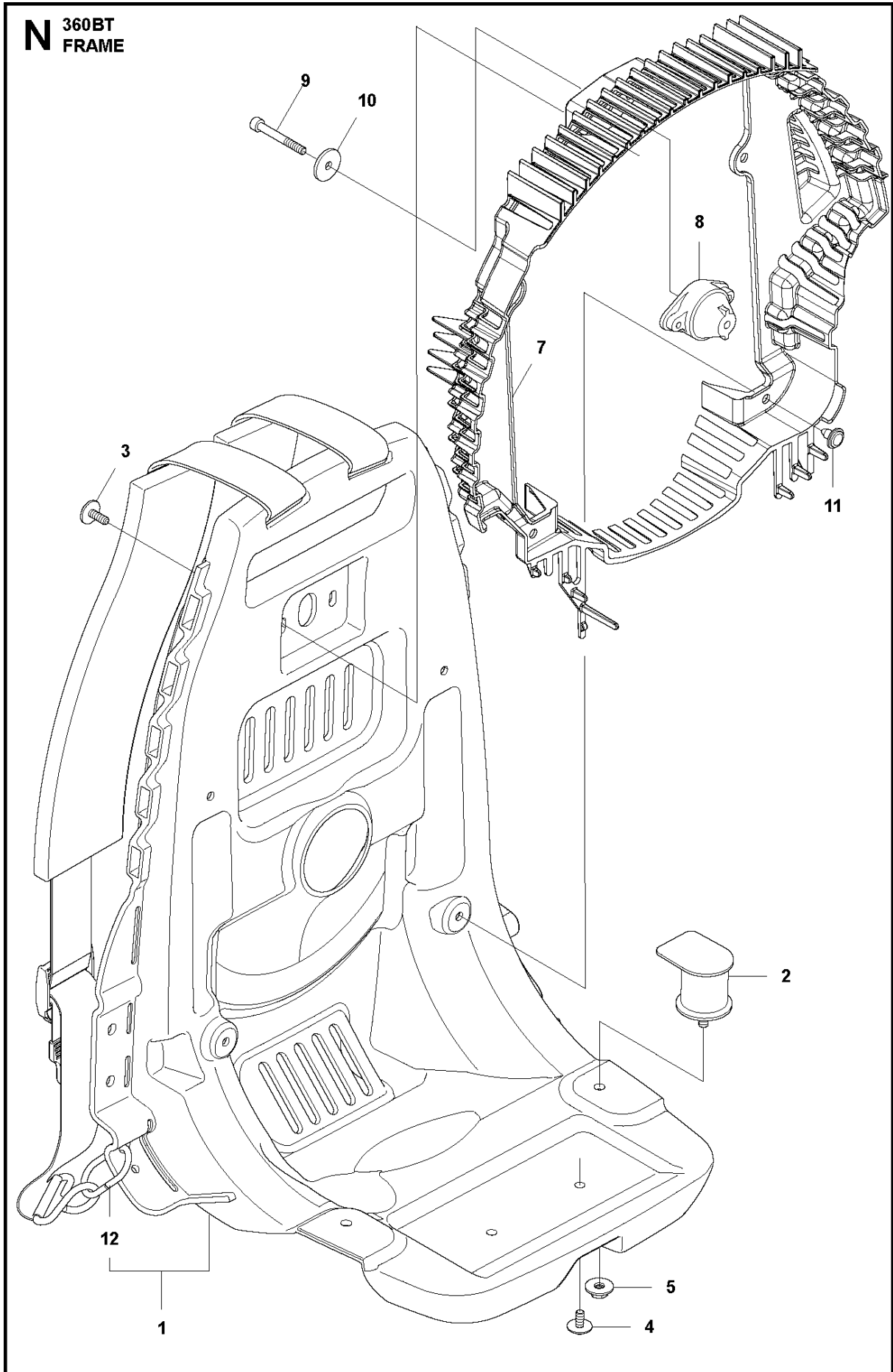
360 BT

| Ref | Part No | Description | Remark | QTY | KIT |
|-----|--------------|-------------|--------|-----|------|
| 1 | 544 25 68-01 | SCREW | | 2 | |
| 2 | 576 58 95-01 | PLATE | | 1 | |
| 3 | 576 58 96-01 | GROMMET | | 1 | |
| 4 | 506 74 52-01 | BOLT | | 4 | |
| 5 | 578 38 49-01 | CYLINDER | | 1 | |
| 6 | 529 09 47-01 | PISTON-G | | 1 | 5 |
| 7 | 521 52 05-01 | WASHER | | 2 | 5, 6 |
| 8 | 576 69 64-01 | BEARING | | 1 | 5, 6 |
| 9 | 544 25 92-01 | PISTON | | 1 | 5, 6 |
| 10 | 544 25 94-01 | PISTON PIN | | 1 | 5, 6 |
| 11 | 521 53 19-01 | SNAP RING | | 2 | 5, 6 |
| 12 | 544 25 93-01 | PISTON RING | | 2 | 5, 6 |
| 13 | 576 58 94-01 | GASKET | | 1 | |

M 360BT
FAN HOUSING

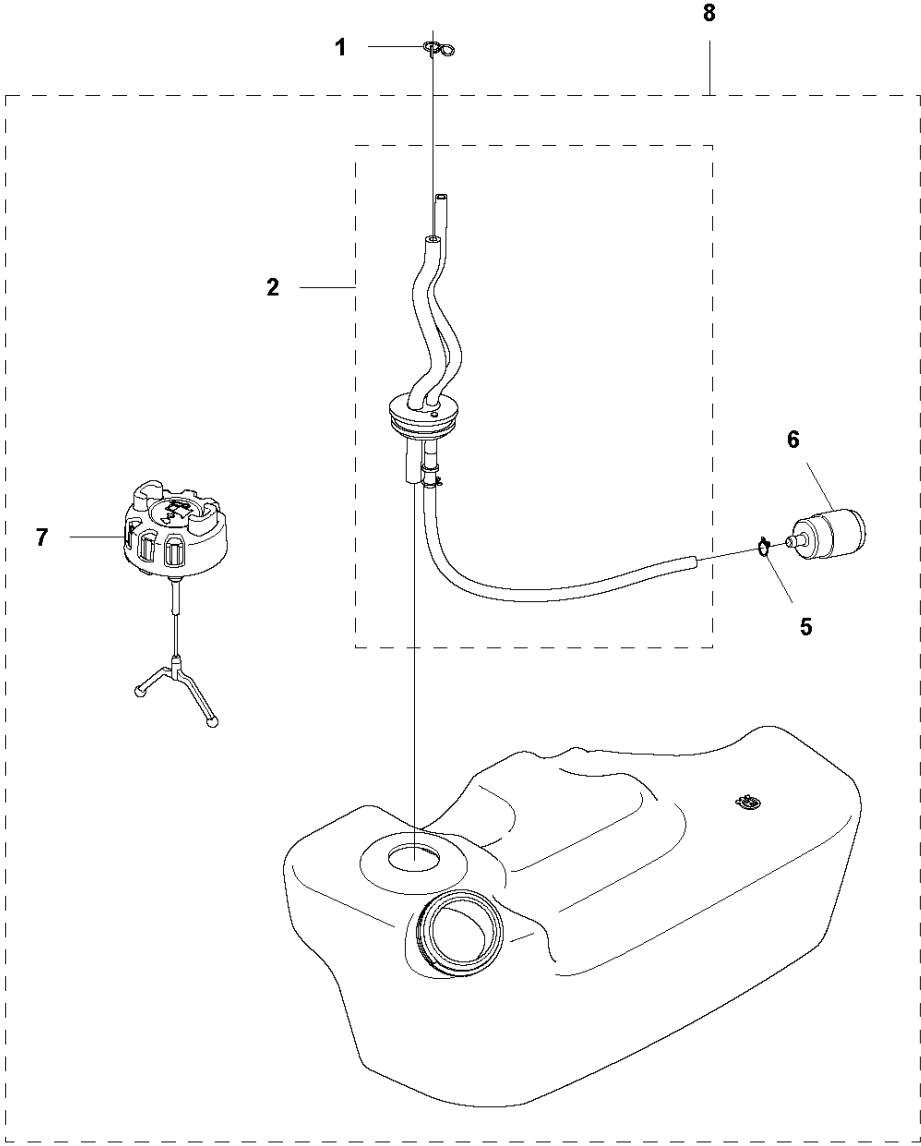


| Ref | Part No | Description | Remark | QTY KIT |
|-----|--------------|-------------|--------|---------|
| 1 | 576 70 29-01 | VOLUTE | | 1 |
| 2 | 544 26 46-01 | SCREW | | 2 |
| 3 | 512 84 81-01 | SCREW | | 10 |
| 4 | 577 14 48-01 | FAN | | 1 |
| 5 | 576 56 16-01 | BOLT | | 4 |
| 6 | 576 70 28-01 | VOLUTE | | 1 |
| 7 | 576 57 94-01 | BRACKET | | 2 |
| 8 | 504 12 23-01 | CLIP | | 3 |
| 9 | 512 84 81-01 | SCREW | | 6 |
| 10 | 512 84 79-01 | SCREW | | 2 |
| 11 | 514 18 39-01 | NUT | | 2 |



| Ref | Part No | Description | Remark | QTY | KIT |
|-----|--------------|-------------|--------|-----|-----|
| 1 | 577 26 12-01 | FRAME | | 1 | |
| 2 | 576 56 22-01 | DAMPER | | 2 | |
| 3 | 544 27 08-01 | SCREW | | 2 | |
| 4 | 577 62 88-01 | SCREW | | 2 | |
| 5 | 513 66 75-01 | NUT | | 2 | |
| 7 | 579 65 95-02 | NET | | 1 | |
| 8 | 513 66 67-01 | DAMPER | | 1 | |
| 9 | 521 51 72-01 | BOLT | | 1 | |
| 10 | 577 35 79-01 | WASHER | | 1 | |
| 11 | 526 24 39-01 | CLIP | | 4 | |
| 12 | 514 33 16-01 | RING | | 2 | 1 |

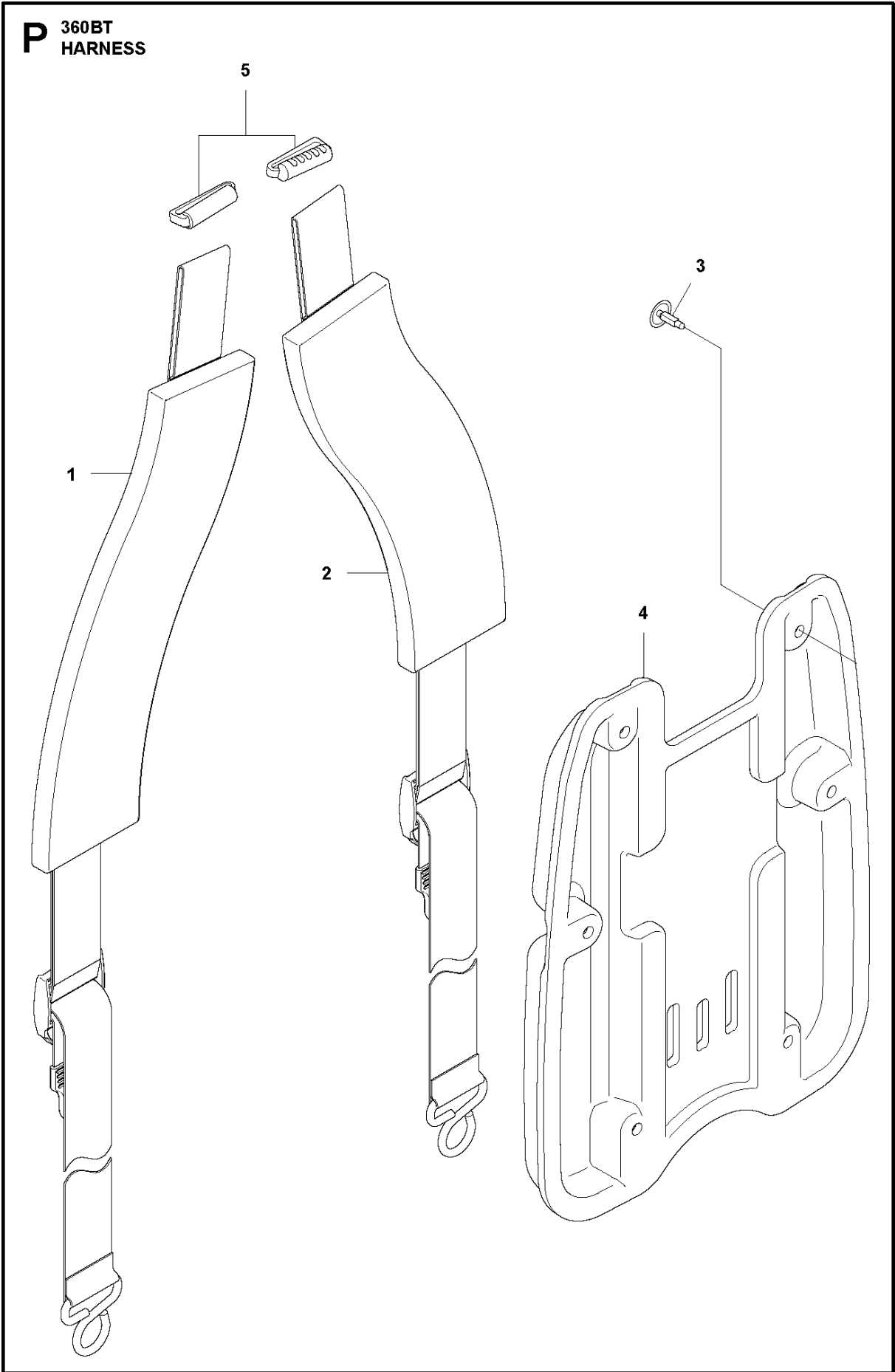
G 360BT
FUEL TANK



FUEL TANK

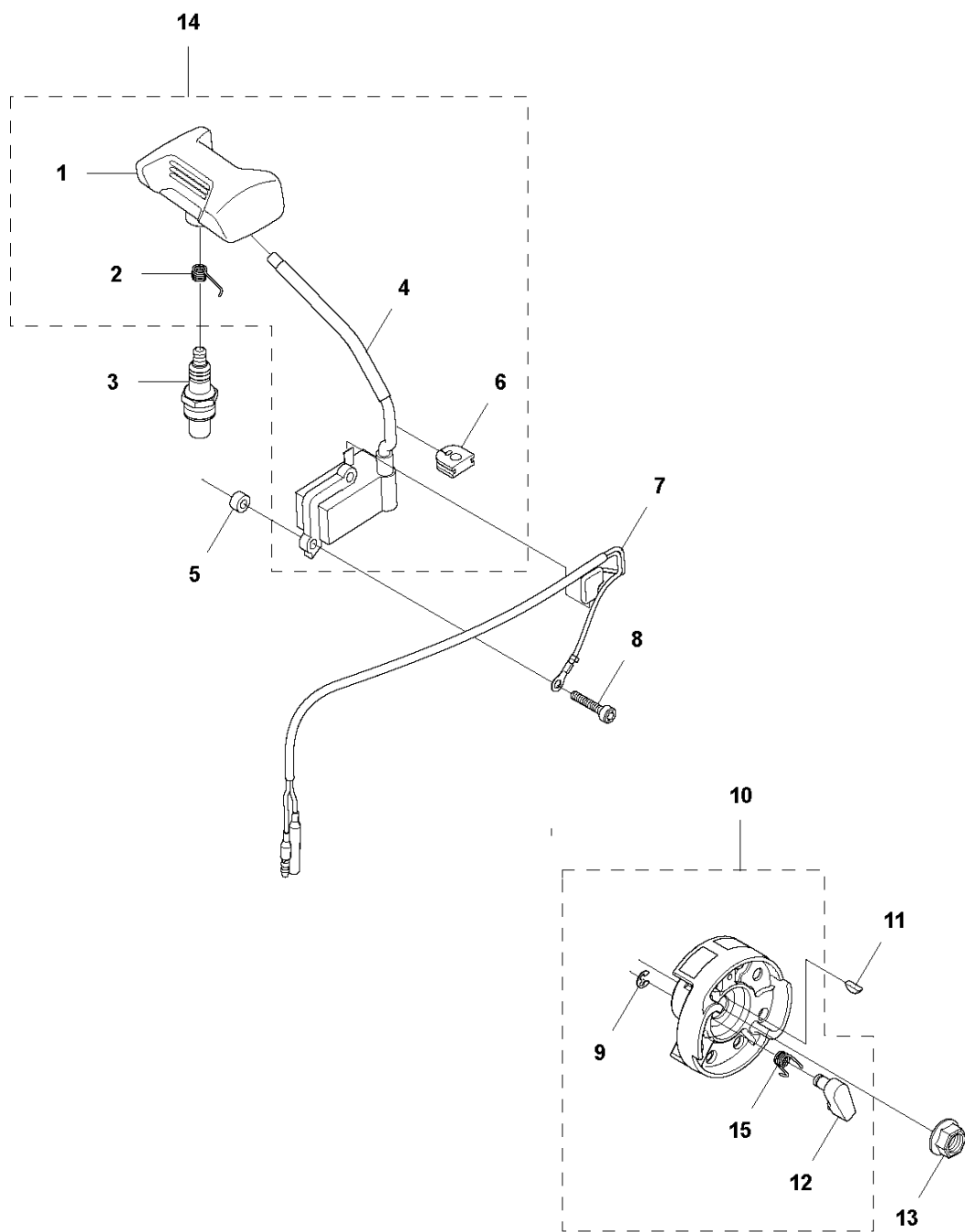
360 BT

| Ref | Part No | Description | Remark | QTY | KIT |
|-----|--------------|---------------|-------------------------------|-----|-----|
| 1 | 506 74 15-01 | CLIP | | 1 | |
| 2 | 586 35 96-04 | HOSE ASSY | | 1 | 8 |
| 5 | 506 70 70-01 | CLIP | | 1 | 8 |
| 6 | 506 74 26-01 | FILTER | | 1 | 8 |
| 7 | 504 03 18-01 | TANK CAP ASSY | | 1 | 8 |
| 8 | 577 46 78-01 | FUEL TANK | For all except USA and Canada | 1 | |
| 8 | 579 14 05-01 | TANK ASSY | For USA and Canada | 1 | |



| Ref | Part No | Description | Remark | QTY KIT |
|-----|--------------|-------------|--------|---------|
| 1 | 505 18 56-01 | BAND | | 1 |
| 2 | 505 18 55-01 | BAND | | 1 |
| 3 | 526 47 67-01 | CLIP | | 6 |
| 4 | 576 56 20-01 | PAD | | 1 |
| 5 | 544 27 00-01 | CLIP | | 2 |

H 360BT
IGNITION SYSTEM

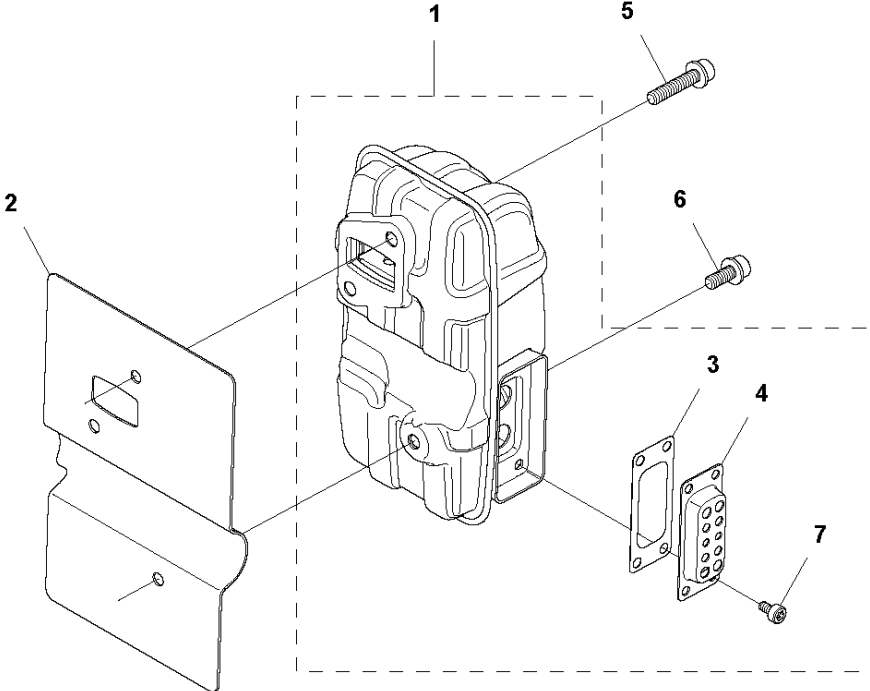


IGNITION SYSTEM

360 BT

| Ref | Part No | Description | Remark | QTY | KIT |
|-----|--------------|----------------|--------|-----|-----|
| 1 | 587 98 47-01 | SPARK PLUG CAP | | 1 | 14 |
| 2 | 506 65 52-01 | SPRING | | 1 | 14 |
| 3 | 521 23 34-01 | SPARK PLUG | | 1 | |
| 4 | 587 65 44-01 | TUBE | | 1 | 14 |
| 5 | 588 17 14-01 | SPACER | | 2 | |
| 6 | 515 41 53-01 | GROMMET | | 1 | 14 |
| 7 | 576 59 38-01 | CORD | | 1 | |
| 8 | 579 38 30-01 | BOLT | | 2 | |
| 9 | 510 49 01-01 | RING | | 2 | 10 |
| 10 | 587 65 51-01 | ROTOR | | 1 | |
| 11 | 506 68 94-01 | KEY | | 1 | |
| 12 | 587 65 50-01 | RATCHET | | 2 | 10 |
| 13 | 513 24 19-01 | NUT | | 1 | |
| 14 | 587 98 45-01 | COIL | | 1 | |
| 15 | 587 65 49-01 | SPRING | | 2 | 10 |

F 360BT
MUFFLER

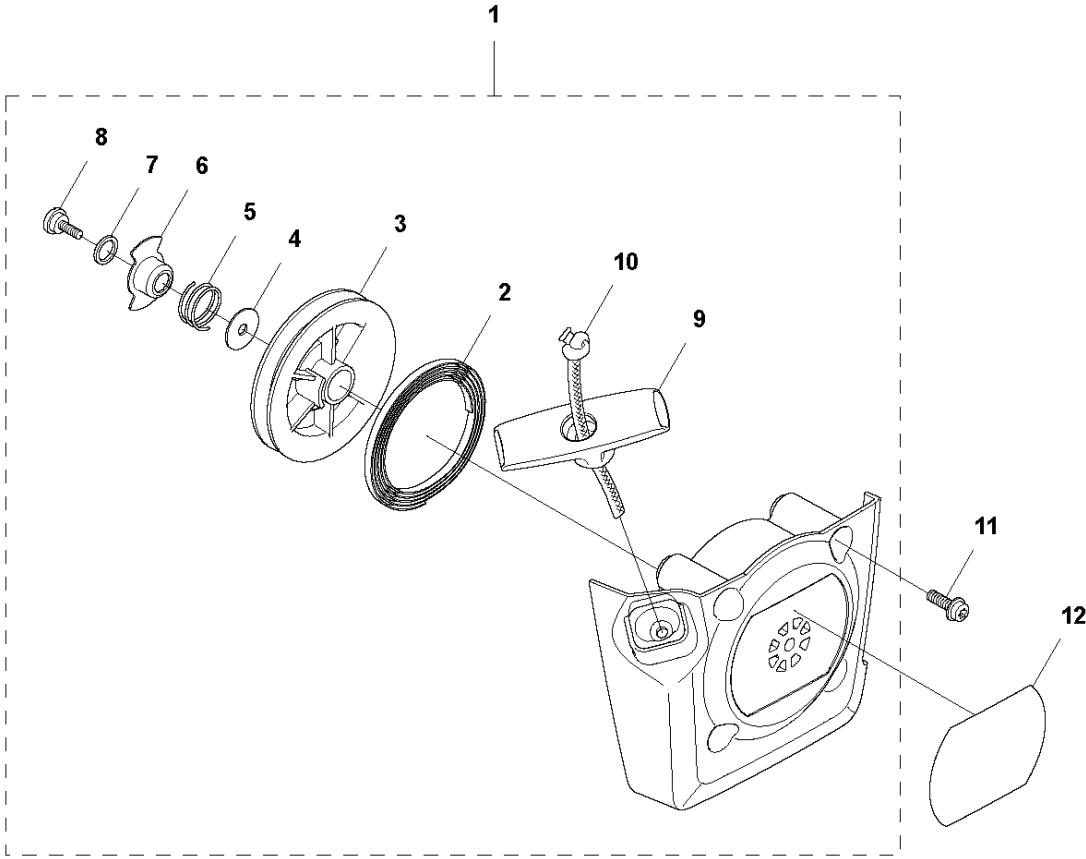


MUFFLER

360 BT

| Ref | Part No | Description | Remark | QTY | KIT |
|-----|--------------|----------------|--------|-----|-----|
| 1 | 585 04 42-01 | MUFFLER ASSY | | 1 | |
| 2 | 576 59 09-01 | GASKET | | 1 | |
| 3 | 585 04 44-01 | SPARK ARRESTER | | 1 | 1 |
| 4 | 585 04 45-01 | DIFFUSER | | 1 | 1 |
| 5 | 576 59 07-01 | BOLT | | 2 | |
| 6 | 576 59 08-01 | BOLT | | 1 | |
| 7 | 544 36 27-01 | BOLT | | 4 | 1 |

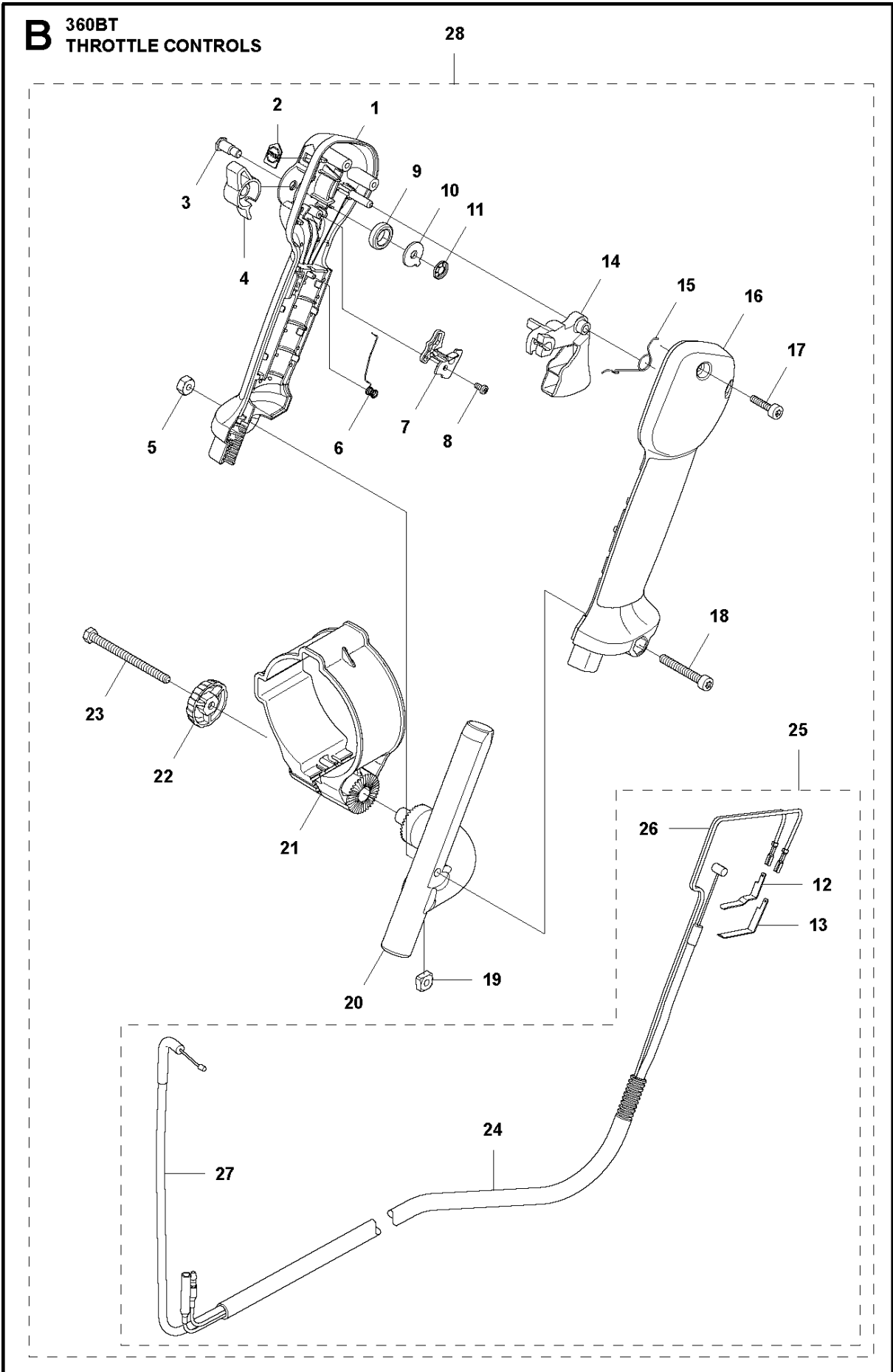
D 360BT
STARTER



STARTER

360 BT

| Ref | Part No | Description | Remark | QTY | KIT |
|-----|--------------|----------------|--------|-----|-----|
| 1 | 578 28 35-01 | STARTER ASSY | | 1 | |
| 2 | 521 62 96-01 | SPRING | | 1 | 1 |
| 3 | 576 59 42-01 | REEL | | 1 | 1 |
| 4 | 521 63 08-01 | WASHER | | 1 | 1 |
| 5 | 521 63 06-01 | SPRING | | 1 | 1 |
| 6 | 521 63 03-01 | PLATE | | 1 | 1 |
| 7 | 521 63 12-01 | WASHER | | 1 | 1 |
| 8 | 515 36 71-01 | SCREW | | 1 | 1 |
| 9 | 537 23 25-01 | STARTER HANDLE | | 1 | 1 |
| 10 | 577 05 31-01 | ROPE | | 1 | 1 |
| 11 | 506 74 56-01 | BOLT | | 4 | |
| 12 | 580 89 90-01 | DECAL | | 1 | |

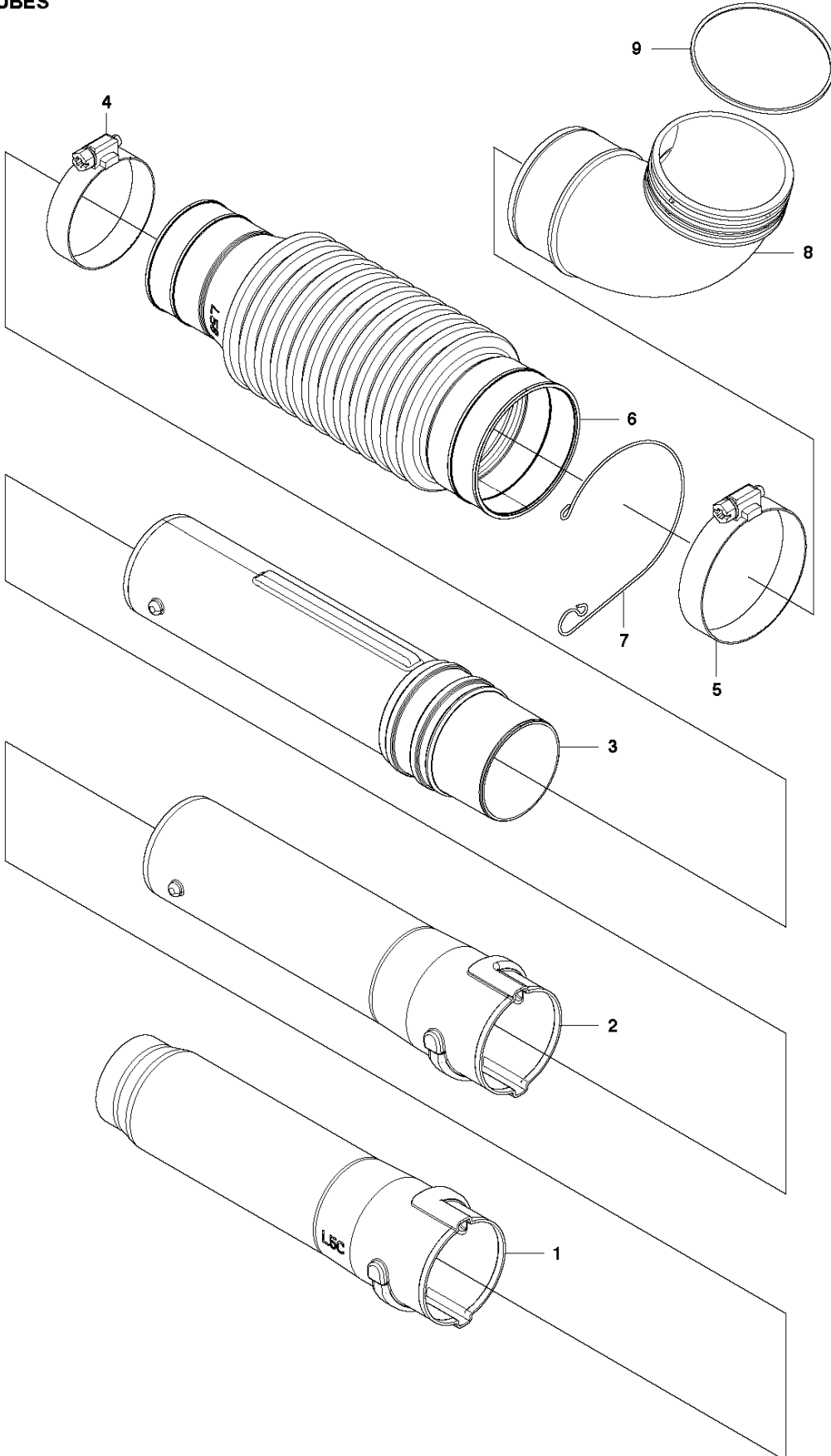


THROTTLE CONTROLS

360 BT

| Ref | Part No | Description | Remark | QTY | KIT |
|-----|--------------|----------------------|--------|-----|--------|
| 1 | 502 24 48-01 | HANDLE HALF | | 1 | 28 |
| 2 | 502 64 17-01 | PLATE | | 1 | 28 |
| 3 | 537 14 12-03 | SHAFT PIVOT | | 1 | 28 |
| 4 | 502 24 55-01 | CONTROL | | 1 | 28 |
| 5 | 510 91 12-01 | NUT | | 1 | 28 |
| 6 | 505 56 79-01 | SPRING | | 1 | 28 |
| 7 | 502 24 60-01 | RETAINER | | 1 | 28 |
| 8 | 505 29 10-01 | SCREW | | 1 | 28 |
| 9 | 537 37 39-01 | SPRING | | 1 | 28 |
| 10 | 505 18 15-01 | WASHER | | 1 | 28 |
| 11 | 735 58 35-01 | WASHER | | 1 | 28 |
| 12 | 537 22 63-01 | CONNECTOR | | 1 | 25, 28 |
| 13 | 537 22 62-01 | CONNECTOR | | 1 | 25, 28 |
| 14 | 502 24 54-01 | TRIGGER | | 1 | 28 |
| 15 | 537 17 42-01 | SPRING THROTTLE TRIG | | 1 | 28 |
| 16 | 502 24 49-01 | HANDLE HALF | | 1 | 28 |
| 17 | 505 29 12-01 | SCREW | | 2 | 28 |
| 18 | 505 29 08-01 | SCREW | | 1 | 28 |
| 19 | 503 22 65-01 | SQUARE NUT | | 1 | 28 |
| 20 | 502 24 53-01 | HOLDER | | 1 | 28 |
| 21 | 577 31 77-01 | HANDLE HOLDER | | 1 | 28 |
| 22 | 504 80 03-01 | TURNING KNOB | | 1 | 28 |
| 23 | 725 23 44-51 | SCREW EHHM | | 1 | 28 |
| 24 | 577 75 69-01 | TUBE | | 1 | 25, 28 |
| 25 | 576 78 56-01 | WIRING ASSY | | 1 | 28 |
| 26 | 576 78 57-01 | CORD | | 1 | 25, 28 |
| 27 | 576 78 58-01 | CABLE | | 1 | 25, 28 |
| 28 | 577 26 14-01 | LEVER ASSY | | 1 | |

A 360BT
TUBES



| Ref | Part No | Description | Remark | QTY KIT |
|-----|--------------|-------------|--------|---------|
| 1 | 577 31 32-01 | PIPE | | 1 |
| 2 | 577 31 30-01 | PIPE | | 1 |
| 3 | 577 31 76-01 | JOINT | | 1 |
| 4 | 544 27 40-01 | CLAMP | | 1 |
| 5 | 544 27 41-01 | CLAMP | | 1 |
| 6 | 505 18 09-01 | HOSE | | 1 |
| 7 | 502 84 28-01 | CLAMP | | 1 |
| 8 | 576 57 83-01 | ELBOW | | 1 |
| 9 | 581 29 08-01 | O-RING | | 1 |