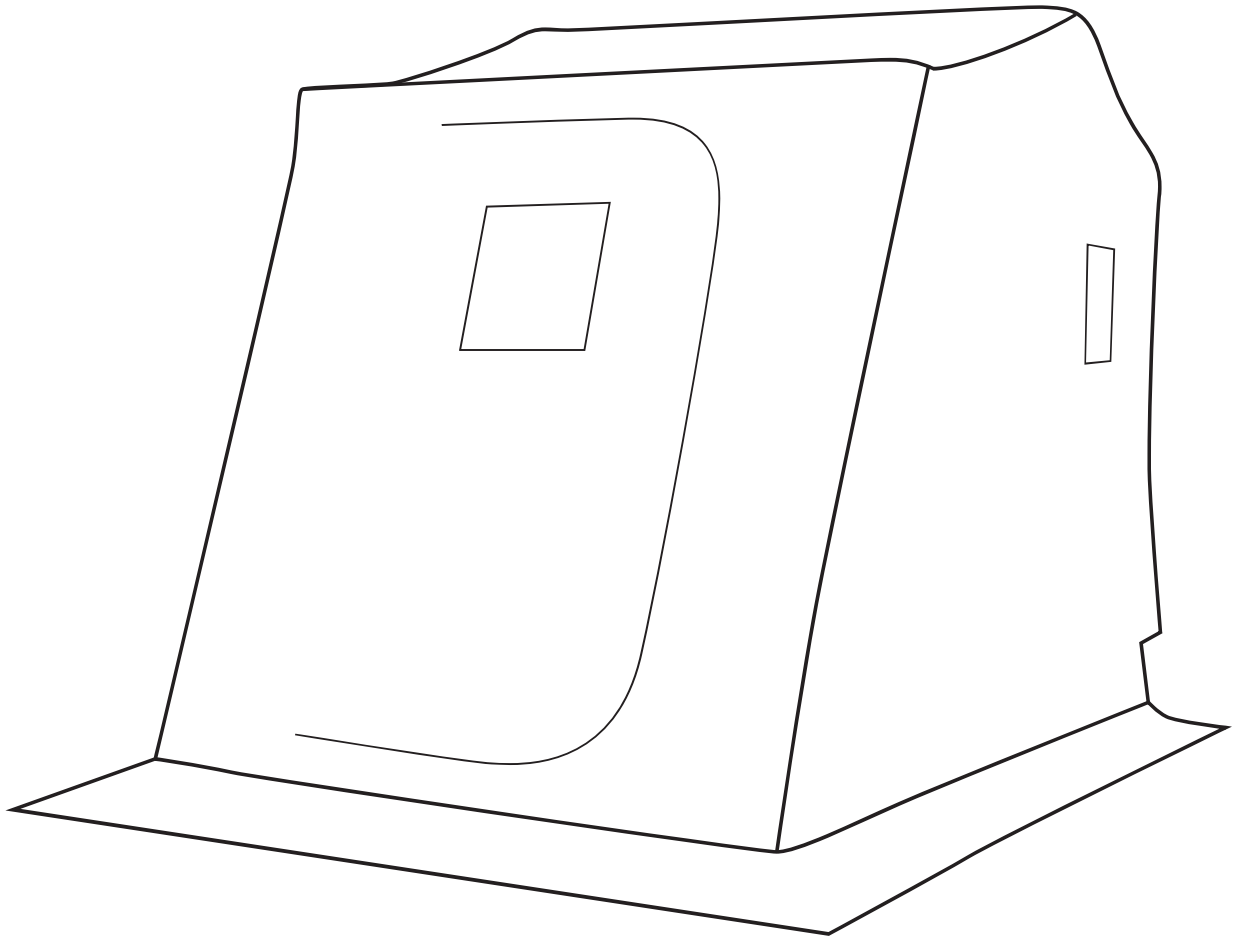




Operator's Manual

# Sierra™ Sierra™ Thermal Flip-Style Sled Shelter

ENGLISH  
FRANÇAIS



**SIERRA™**  
**MODEL #25300**

**SIERRA™ THERMAL**  
**MODEL #25250**

Get parts online at  
Pièces détachées en ligne à  
[www.GetEskimo.com](http://www.GetEskimo.com)



27819  
ECN # 12376  
REV2: 04/02/2019  
©Copyright 2019 Ardisam, Inc.  
All Rights Reserved.  
Tous droits réservés.

## INTRODUCTION

Eskimo® Ice Shelters are engineered with the ice fisherman in mind. We make quality and durability our priority, and we appreciate your purchase of one of our ice shelters. Follow these simple instructions and your ice shelter will provide you many years of trouble-free enjoyment. Save these instructions for future reference. If for any reason you have a problem with your product, **DO NOT return to the retailer**, contact the Eskimo® customer service department at **1-800-345-6007** or **by email at info@geteskimo.com** for assistance. Congratulations on your investment in quality. Ardisam, Inc. reserves the right to change or alter this manual without notice.

## CONTENTS

Introduction .....	2
Registration .....	2
Important Safety Precautions .....	3
Parts Explosion .....	4
Assembly .....	5-8
Shelter Skin Installation .....	8-9
Set-Up and Take-Down Instructions.....	10
Long-Term Storage .....	11
Troubleshooting and Repair.....	11
Warranty .....	12

## REGISTRATION AND SERVICE

Record the product model number and serial number in the space provided for easy reference when ordering parts or requesting technical support. You can register your warranty online by visiting [www.GetEskimo.com](http://www.GetEskimo.com), or by mailing it to: Ardisam, Inc., P.O. Box 666, Cumberland, WI 54829. For service questions, call our customer service department at (800) 345-6007 Mondays through Fridays from 8 a.m. to 5 p.m. CT. Warranty is valid only if the completed registration card is received by Ardisam, Inc. within 30 days of purchase.

OWNERSHIP RECORDS		
Place of Purchase:		
Place of Purchase Address:		
City:	State/Province:	Zip Code/Postal Code:
Model Number:		Serial Number (found next to warning tag):
Date of Purchase:		
Notes:		

This manual may contain information for several models. Read and keep this manual for future reference. This manual contains important information on SAFETY, ASSEMBLY, OPERATION, AND MAINTENANCE. The owner must be certain that all the product information is included with the unit. This information includes the MANUAL, the REPLACEMENT PARTS and the WARRANTIES. This information must be included to make sure state laws and other laws are followed. This manual should remain with the unit even if it is resold.

## IMPORTANT SAFETY PRECAUTIONS

This shelter is made with flame resistant fabric which meets CPAI-84 and SOR 90-245 specifications. It is not fire proof. The fabric will burn if left in continuous contact with any flame source. The application of any foreign substance to the shelter fabric may render the flame resistant properties ineffective.

Fuel-based heat sources burn oxygen and emit carbon monoxide (an odorless, colorless, poison gas). Breathing carbon monoxide can cause headaches, drowsiness, nausea, dizziness, confusion and eventually death. Use caution with heaters. Be sure you have adequate fresh ventilation, including open windows and doors. All vents must be opened when using fuel-based heaters in your shelter.

- Do not use candles, matches or open flames of any kind in or near an ice shelter.
- Do not cook inside the shelter.
- Exercise extreme caution when using fuel-powered lanterns or heaters inside a tent. Use battery-operated lanterns whenever possible.
- Do not refuel lamps, heaters or stoves inside a tent.
- If you are fishing and falling asleep intermittently, turn off all lanterns and heaters.
- Do not smoke in shelter.
- Do not store flammable liquids inside of the shelter.

### WARNING

READ, UNDERSTAND AND FOLLOW ALL ASSEMBLY, SAFETY, SET-UP & USE INSTRUCTIONS PROVIDED BEFORE USE. FAILURE TO FOLLOW ALL WARNINGS AND INSTRUCTIONS COULD RESULT IN SERIOUS INJURY OR DEATH.

DO NOT USE OPEN FLAME HEATERS IN YOUR ICE SHELTER.

**WARNING:** KEEP ALL FLAME AND HEAT SOURCES AWAY FROM THIS TENT FABRIC. THIS TENT IS MADE WITH FABRIC THAT MEETS CPAI-84 AND SOR 90-245 SPECIFICATIONS FOR FLAME RESISTANCE. IT IS NOT FIRE PROOF. THE FABRIC WILL BURN IF LEFT IN CONTINUOUS CONTACT WITH ANY FLAME SOURCE.

DUE TO TRAFFIC ON LAKES, ICE FISHING CAN BE HAZARDOUS AT NIGHT. IF YOU CHOOSE TO FISH AT NIGHT OR IN CONDITIONS WITH POOR VISIBILITY, BE SURE TO TAKE PRECAUTIONS.

NEVER LEAVE THE ICE SHELTER UNATTENDED.

SECURELY ANCHOR THE ICE SHELTER TO THE ICE IN HIGH WIND CONDITIONS.

### WARNING

WARNING INDICATES A HAZARD WHICH, IF NOT AVOIDED, COULD RESULT IN DEATH OR SERIOUS INJURY TO PERSONNEL AND/OR PROPERTY DAMAGE.

### CAUTION

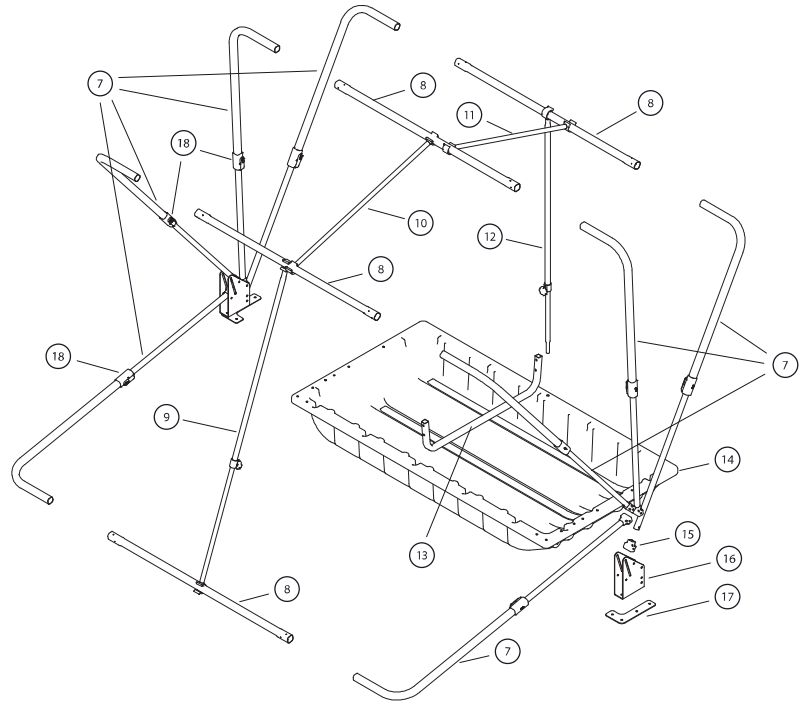
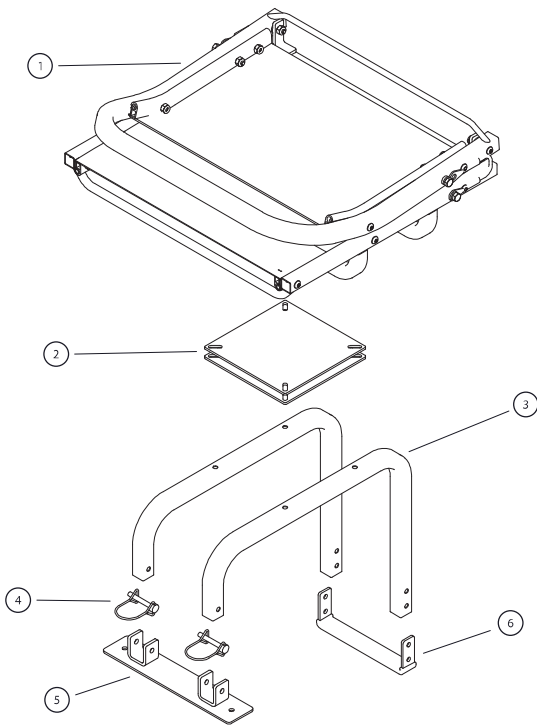
CAUTION INDICATES YOUR EQUIPMENT CAN BE DAMAGED IF THE SAFETY INSTRUCTIONS THAT FOLLOW THIS SIGNAL WORD ARE NOT OBEYED.

### IMPORTANT

INDICATES HELPFUL INFORMATION FOR PROPER ASSEMBLY, OPERATION, OR MAINTENANCE OF YOUR EQUIPMENT.

**PARTS EXPLOSION**

25300 / 25250



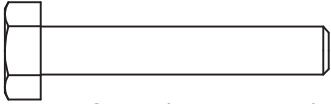
**25300 / 25250 PARTS LIST**

REF. NO.	DESCRIPTION	PART NO.	QTY.
1	SEAT VERSA TOP	15004	2
2	SWIVEL VERSA MOUNT (25250 ONLY)	15016	2
3	RISER SEAT SIERRA	27756	4
4	LOCKPIN 1/4 X 1-3/4 ROUND HANDLE BLK	63281	4
5	WELDMENT SEAT MOUNT SIERRA	27758	2
6	BRACKET SPACER SEATS VINYL DIPPED	27920	1
7	ASSEMBLY EXTENSION TUBE AND CORNER SIERRA	27727	8
8	TUBE 29.5 MM SQUARE MID SECTION SIERRA	27728	4
9	ASSEMBLY SPREADER POLE ADJUSTABLE FRONT	27729	1
10	ASSEMBLY SPREADER POLE 34.5 IN	27732	1
11	ASSEMBLY SPREADER POLE 29 IN	27731	1
12	ASSEMBLY SPREADER POLE ADJUSTABLE REAR	27730	1
13	TUBE SLED SUPPORT	27759	1
14	SLED DRILLED SIERRA	28932	1
15	CAP 20.5MM SQUARE TUBE	27821	8
16	HINGE SLOTTED 125 MM LONG	27825	2
17	HINGE SUPPORT PLATE	27927	2
18	KIT QRS REPLACEMENT	33581	-

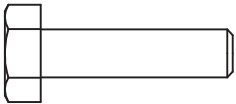
ITEMS BELOW NOT SHOWN (25300)			
—	BOLT 1/4-20 X 1-1/2 IN HEX HEAD	48240B	12
—	BOLT 1/4-20 X 3/4 IN HEX HEAD	8930B	12
—	BOLT 1/4-20 X 2-1/2 IN PHILIPS DRIVE	67430	8
—	BOLT 1/4-20 X 2 IN HEX HEAD	48153B	8
—	WASHER BLACK STEEL	48261B	48
—	NUT 1/4-20 NYLOC	67538B	40
—	WASHER 1/4 IN NYLON	WN516	4
—	SKIN SEWN COMPLETE 25300	27481	1
—	SCREW 6 X 3/8 PTHA ZN	69629	15
—	EDGE TRIM 1/4 IN CUT TO 93.5 INCH	69654	1
—	WINDOW REPLACEMENT 8 X 12 IN	69531	2
—	WINDOW REPLACEMENT 8 X 28 IN	69533	1
—	WINDOW REPLACEMENT 13.5 X 13.5 IN	69534	1

ITEMS BELOW NOT SHOWN (25250)			
—	BOLT 1/4-20 X 1-1/2 IN HEX HEAD	48240B	28
—	BOLT 1/4-20 X 3/4 IN HEX HEAD	8930B	12
—	BOLT 1/4-20 X 2-1/2 IN PHILIPS DRIVE	67430	8
—	NUT 1/4-20 NYLOC	67538B	48
—	WASHER 1/4 IN NYLON	WN516	4
—	SKIN SEWN COMPLETE 25250	27480	1
—	SCREW 6 X 3/8 PTHA ZN	69629	15
—	EDGE TRIM 1/4 IN CUT TO 93.5 INCH	69654	1
—	WINDOW REPLACEMENT 8 X 12 IN	69531	2
—	WINDOW REPLACEMENT 8 X 28 IN	69533	1
—	WINDOW REPLACEMENT 13.5 X 13.5 IN	69534	1

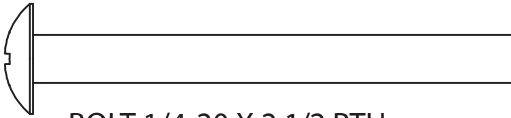
## BOLT IDENTIFICATION CHART



BOLT 1/4-20 X 1-1/2 HHCS GR5 ZN



BOLT 1/4-20 X 1 HH GR5 ZN



BOLT 1/4-20 X 2-1/2 PTH

## ASSEMBLY INSTRUCTIONS

### TOOLS NEEDED:

- (2) 7/16" wrenches and/or socket driver
- Cordless drill with #1 Philips head bit



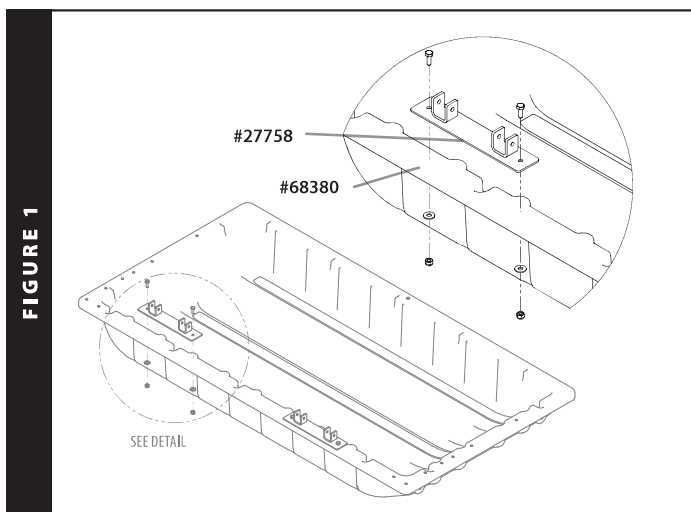
### IMPORTANT ASSEMBLY TIP

DO NOT FULLY TIGHTEN ANY NUT AND BOLT COMBINATION UNTIL INSTRUCTED IN LATER NOTES. THIS WILL HELP WITH HOLE ALIGNMENT FOR ALL PARTS.

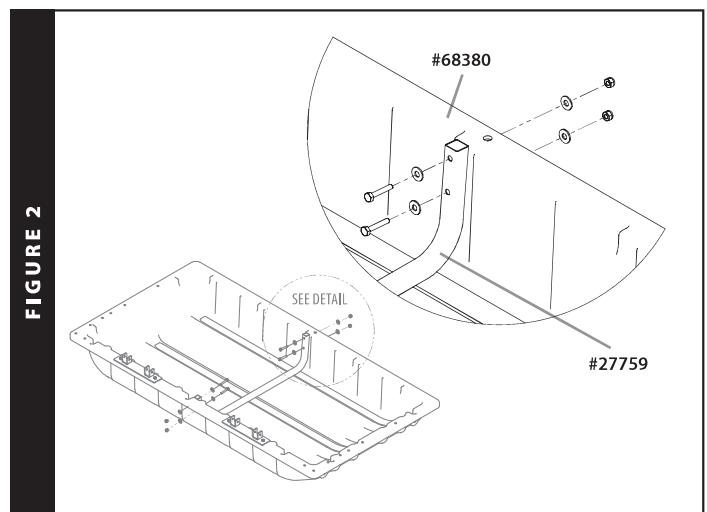
### ASSEMBLY TIPS:

- This ice shelter should be assembled in a garage or basement setting due to the time and length of assembly. Identify and familiarize yourself with all parts and hardware before assembly. Allow 1-2 hours for assembly.
- The use of a cordless drill with socket will make assembly of your ice shelter much quicker. Be sure to set the drill speed on low so you do not over tighten any nut and bolt combination.
- If a tracking kit is purchased with the shelter it should be mounted to the sled before assembly of the ice shelter for convenience.

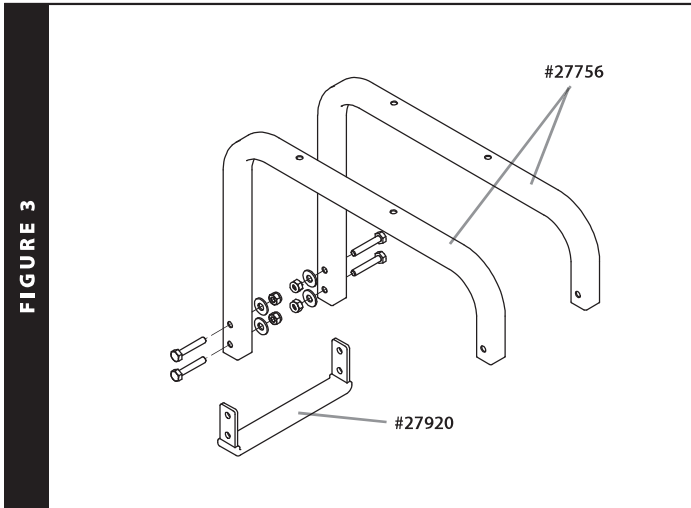
## SEATING ASSEMBLY



- 1** Assemble part **#27758** to the sled base **#68380** using (2) 1 IN bolts, (2) nuts, and (2) steel washers at location shown in **FIGURE 1**. Repeat step for remaining **#27758** part.



- 2** (A) Assemble **#27759** to the sled base **#68380** using (4) 1-1/2 IN bolts, (4) nuts, and (8) steel washers at location shown in **FIGURE 2**.

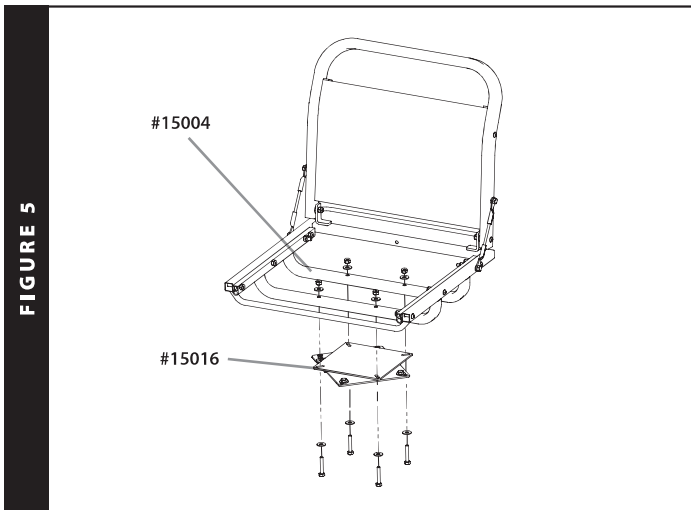


**3** (A) Assemble (2) #27756 to (1) #27920 using (4) 1-1/2 IN bolts, (4) nuts, and (4) steel washers as shown in FIGURE 3.

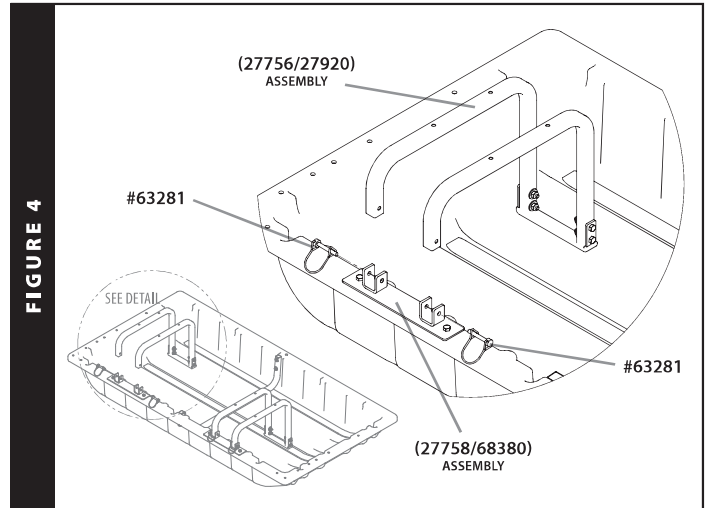
(B) Repeat step 3A for remaining #27756 and #27920 components as instructed above.

### SWIVEL SEAT ASSEMBLY (25250)

Use Steps 5a and 5b for Sierra™ Thermal shelter.



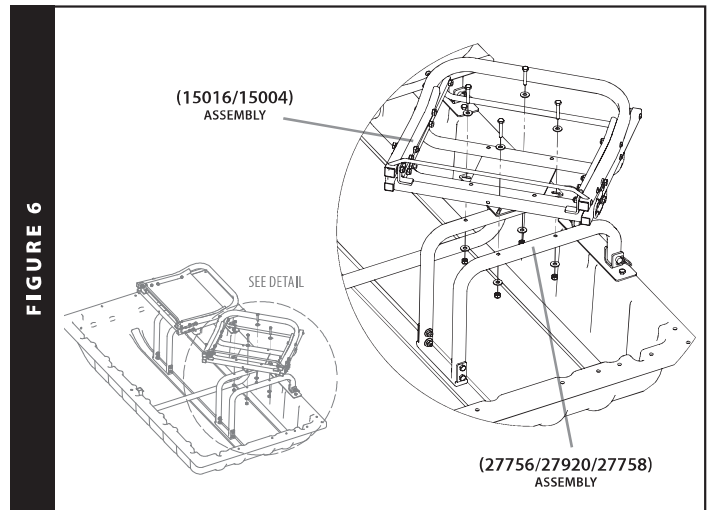
**5 a** (A) Assemble #15016 onto #15004 seat using (4) 1-1/2 IN bolts, (4) nuts, and (8) steel washers. Repeat step for remaining #15016 and #15004 parts.



**4** (A) Assemble (27756/27920) assembly to (27758/68380) using (2) #63281 snap pins as shown in FIGURE 4.

(B) Repeat step 4A for remaining (27756/27920) assembly.

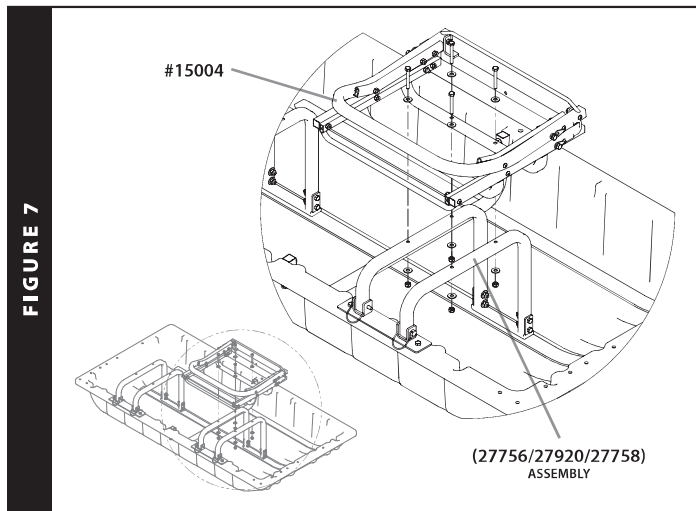
**TIP:** Hardware for seat assembly section will be in a small separate bag in the sled.



**5 b** (A) Assemble (15016/15004) assembly onto (27756/27920/27758) assembly using (4) 1-1/2 IN bolts, (4) nuts, and (8) steel washers as shown in FIGURE 6. Repeat step for remaining (15016/15004) assembly.

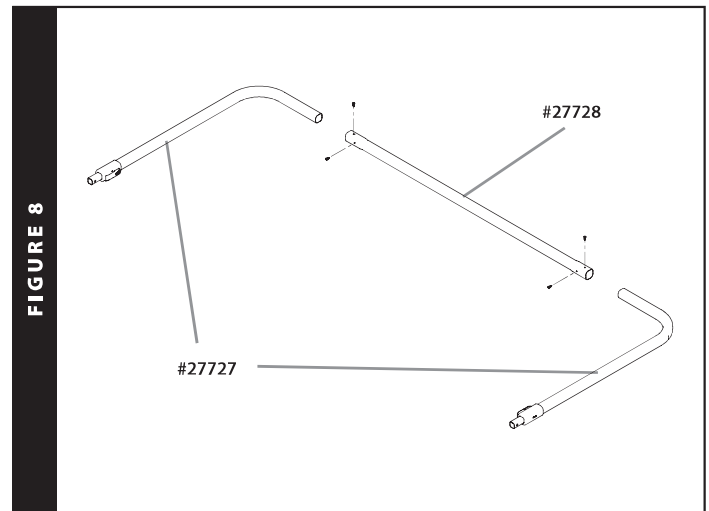
## STANDARD SEAT ASSEMBLY (25300)

Use Step 6 for Sierra™ shelter.

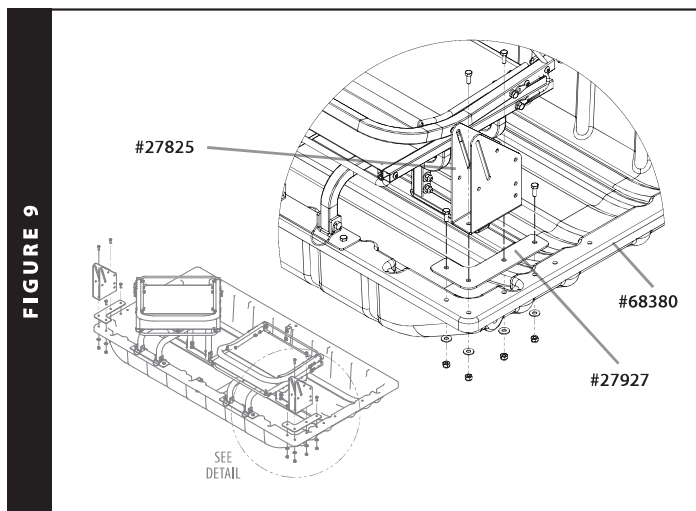


- 6** (A) Assemble **#15004** to **(27756/27920/27758)** assembly using (4) 2 IN bolts, (4) nuts, and (8) steel washers as shown in **FIGURE 7**.  
(B) Repeat step 6A for remaining **#15004** seat.

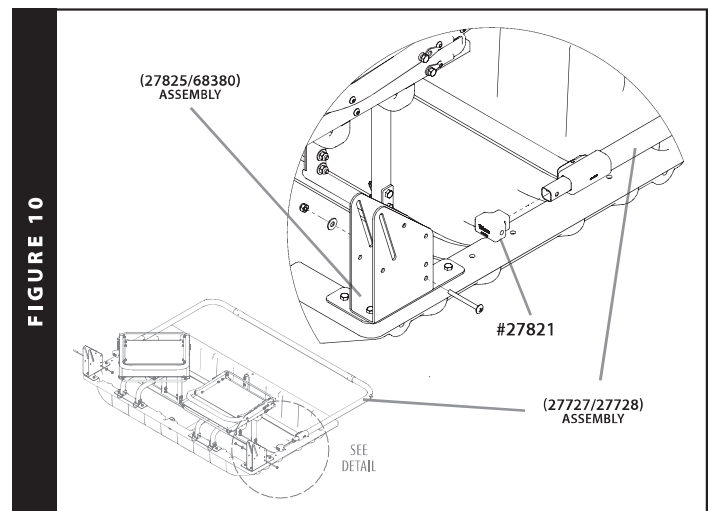
## ALUMINUM FRAME ASSEMBLY



- 7** (A) Assemble (2) **#27727** assemblies to (1) **#27728** using the included 1/2 IN sheet metal screws. Use (2) screws per side at the pre-drilled locations on **#27728**.  
(B) Repeat step 7A for (6) remaining **#27727** assemblies and (3) **#27728** poles.



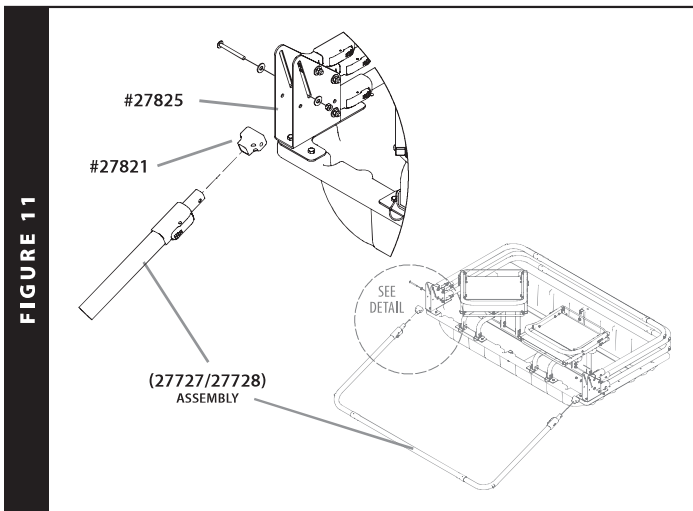
- 8** (A) Assemble **#27825** and **#27927** to **#68380** sled base using (4) 3/4 IN bolts, (4) nuts, and (4) steel washers as shown in **FIGURE 9**.  
(B) Repeat step 8A for remaining **#27825** and **#27927** components.



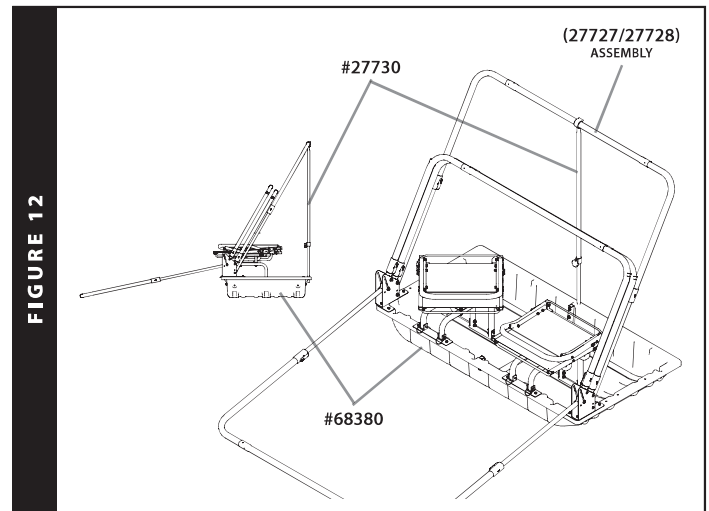
- 9** (A) Assemble **(27727/27728)** assembly and **#27821** to **#27825** using (2) 2-1/2 IN Phillips drive bolts, (2) nuts, and (2) steel washers.  
(B) Repeat step 9A for (2) remaining **(27727/27728)** assemblies.



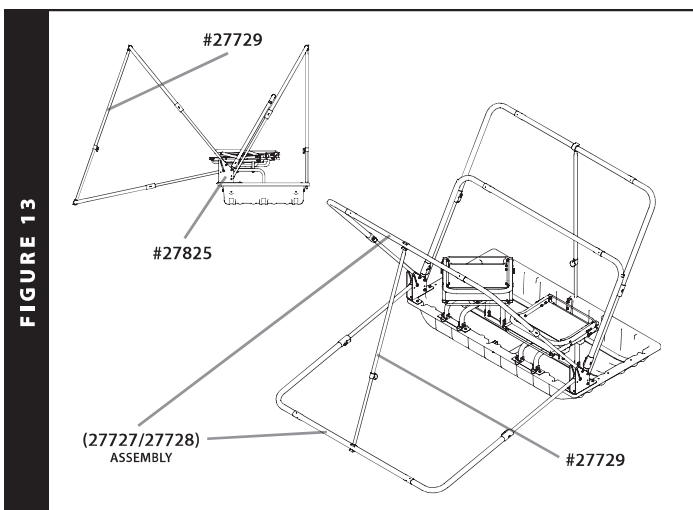
## SKIN ASSEMBLY



**10** Assemble last (27727/27728) assembly and #27821 to #27825 using (2) 2-1/2 IN Phillips drive bolts, (2) nuts, and (4) nylon/plastic washers as shown in Figure 11.

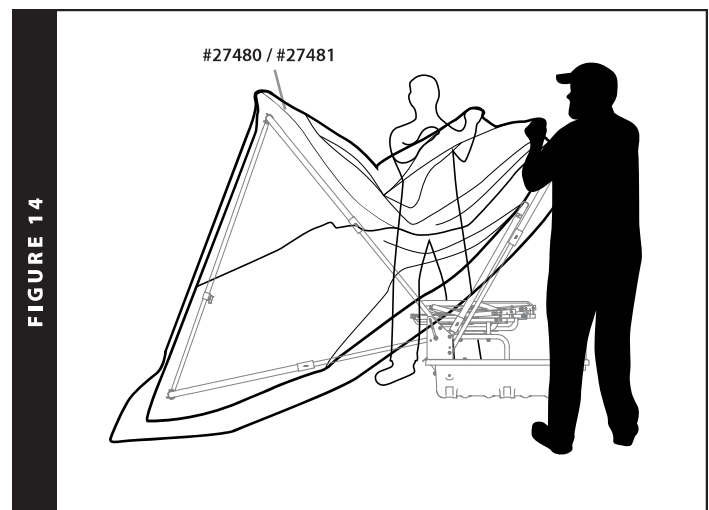


**11** (A) Attach #27730 to #68380 and (27727/27728) as shown in FIGURE 12. Be sure to fully extend (27727/27728) assembly until locked prior to attaching #27730.  
(B) Adjust height of #27730 until it is straight up and down.



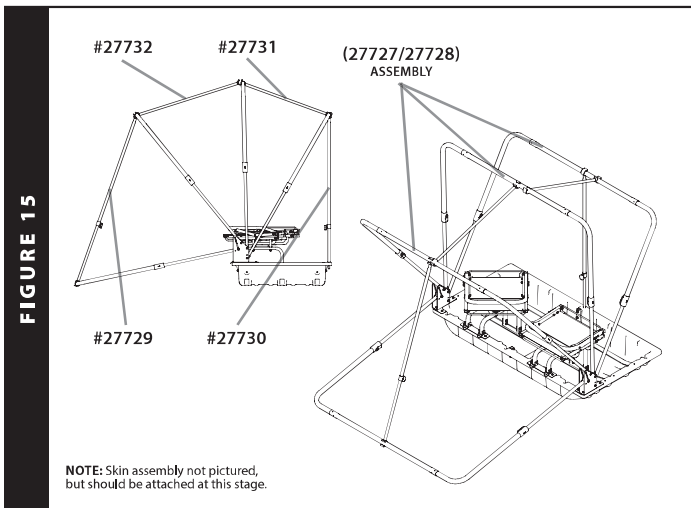
**12** (A) Attach #27729 to (2) Front (27727/27728) assemblies as shown in FIGURE 13. Be sure to fully extend both (27727/27728) assemblies until locked prior to attaching #27729.  
(B) Adjust length of #27729 to position (27727/27728) assembly so that it resembles FIGURE 13, using #27825 as a reference for the angle.

**TIP:** Once the skin has been fully assembled to the frame and sled, using a permanent marker, make a locating line that can be easily seen for faster set-up when on the ice.



**13** Work the #27480 / #27481 (depending on model) skin assembly over the poles and rest it on the aluminum framework.





**14** (A) Enter the shelter and fully extend the remaining (27727/27728) assemblies.

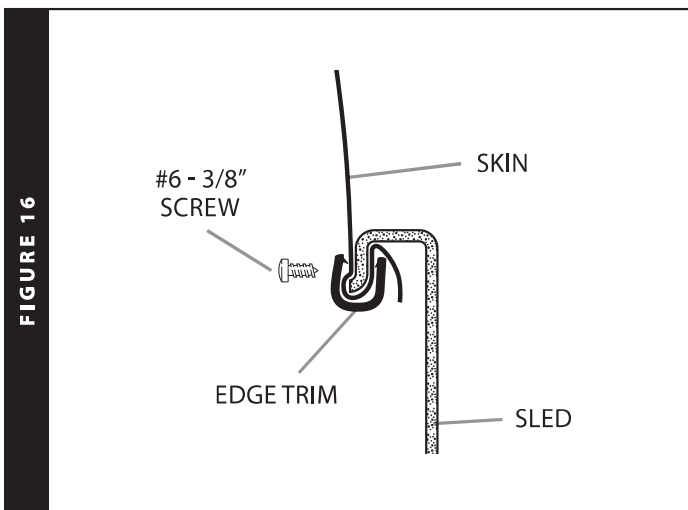
(B) Attach remaining #27732 and #27731 spreader poles to (27727/27728) assemblies as shown in FIGURE 15.

(C) There are hook-and-loop connections sewn on the inside of the skin to attach/locate each aluminum frame assembly. Secure each connection as snug as possible. This will determine how tight the overall skin assembly will be once fully assembled to the #68380 sled.

**NOTE:** At this point, adjust spreader poles to match the hook-and-loop locations. The shelter frame should be fully supported at this time and will be freestanding. Adjust #27729 and #27730 spreader poles to remove slack in skin. This is important as you will not be able to re-adjust the skin tension correctly once the skin is fastened to the #68380 sled.

**ASSEMBLY TIPS FOR STEPS 15 & 16:**

- It is recommended to secure the entire back of the skin before working the edge trim around the corners of each sled. This will keep the skin even and prevent any more or less fabric being pulled from one side.
- We recommend the use of a cordless drill during **STEP 16**. The rubberized edge trim has a metal core to provide additional structure, but is also sometimes difficult to screw through. It is important to place screws higher on the width of the edge trim to make sure full contact is made with the sled.

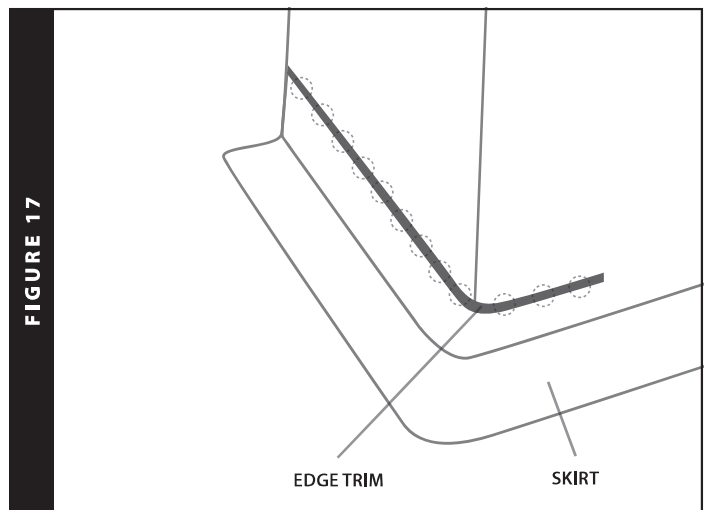


**15** (A) With the #27480 / #27481 skin fitted to the framework it is now time to permanently attach it.

(B) Locate the 7'10" rubber edge trim included in the parts box. Find the center of the length of edge trim. This will be the starting point during the assembly of the edge trim to the skin.

(C) Move to the rear of the shelter and locate the center of the #68380 sled. This will be the point where the edge trim will be attached first.

(D) Keeping downward tension on the skin, push the edge trim onto the sled lip and begin working it around the skin. Remember to maintain downward tension on the skin while doing this as it will provide the best outcome.



**16** (A) Secure the edge trim to the back of the #68380 sled using the included #6 X 3/8 IN Philips drive screws, making sure they are equally spaced along the full length of the edge trim as shown in FIGURE 17.

**NOTE:** Make sure to evaluate the tension of the skin prior to installing the edge trim screws. It will be easier to make adjustments at this stage versus after all screws have been installed.

## SETUP INSTRUCTIONS

- 1** To set up your new Eskimo flip shelter first make sure the skin is not tangled or pinched in anyway as this will prevent the framework from being able to extend fully.
- 2** Starting at the front side of the shelter, locate the bottom framework, and slowly extend this assembly out until an audible “click” is heard, notifying you the framework is locked in the extended position.
- 3** Zip open the front door of the shelter and move inside, at the same time gently extending the next framework until the “click” is heard. Repeat this step until the remaining framework assemblies are fully extended and the shelter is deployed.

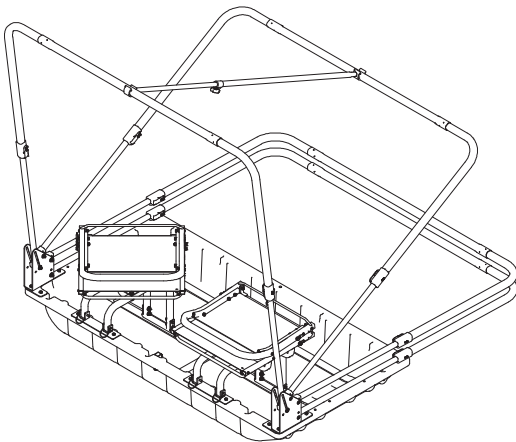
**TIP:** At this point the shelter is usable as the spreader poles are not necessary when the skin has been properly attached as described earlier in this manual. Spreader poles are to be used in inclement weather conditions.

## TAKEDOWN INSTRUCTIONS

- 1** Takedown requires the same process used to deploy the shelter except in reverse. Be sure to close all window covers to prevent tearing or tangling of this excess fabric with the framework.
- 2** Be sure to carefully fold all loose shelter skin inward to prevent any tearing of the fabric. Damage to the skin should be expected if the skin is not properly stowed prior to travel.
- 3** Using the framework you should be able to “tuck” each skin section in between the pole assemblies, locking it in place, and safely containing the skin within the sled.

**TIP:** When hauling large amounts of gear, it will be easier to collapse the sled and correctly pack the skin first before all gear is repacked into the sled. With increased use, each user will develop their own way of packing that is easiest for that person.

FIGURE 18



## WIND BLOCK POSITION

The Front #27729 or rear #27730 adjustable spreader poles can be used to create a partially open shelter position that works well in blocking “light winds” on otherwise nice fishing days. SEE FIGURE 18

## LONG TERM STORAGE TIPS

Always make sure your ice shelter is completely dry before storing for long periods of time. Storing your ice shelter when damp or wet may cause mold and mildew damage.

- Remove skin from ice shelter sled and frame.
- Clean all salt, moisture and debris from your shelter skin, sled and poles. Wipe down poles with a wet rag.
- Store skin, poles and sled in a cool, dry place away from rodents.

## SERVICE, TROUBLESHOOTING, AND REPAIR

### Service Information

At Ardisam, we build quality and durability into the design of our products; but no amount of careful design by us, and careful maintenance by you, can guarantee a repair-free life for your unit.

We will always be glad to answer any questions you have, or help you find suitable assistance.

## ORDERING REPAIR PARTS

Parts may be obtained from the store where your auger was purchased or by calling Ardisam customer service at the number listed below. To order from the factory, call, e-mail, or order online at [www.GetEskimo.com](http://www.GetEskimo.com):

Eskimo®  
A Division of Ardisam, Inc.  
**1-800-345-6007**  
**E-mail: [info@geteskimo.com](mailto:info@geteskimo.com)**

Please include the part numbers, part description, quantity, model number and serial number.

# Eskimo®

## SIERRA™ / SIERRA™ THERMAL Warranty Terms and Conditions

### PRODUCT WARRANTY: 1-YEAR LIMITED WARRANTY

Ardisam, Inc., warrants this Eskimo® Sierra™ / Sierra™ Thermal under a one-year limited warranty to be free from defects in materials or workmanship or both for a period not exceeding twelve consecutive months from the date of original purchase by the first retail consumer or commercial end user. "Consumer use" means personal recreational use by a retail consumer. "Commercial use" or "commercial application" means all other uses, including use for commercial, income producing or rental purposes. Once a product has experienced commercial use, it shall thereafter be considered as a commercial use product for purposes of this warranty. This warranty does not cover cracked windows, tent tears, or bent poles due to use in high wind, inclement weather conditions, unattended use or uses other than those listed in the owner's manual. This warranty applies to the original owner that provides a proof of purchase of the shelter. The warranty is not transferable. The warranty period begins on the date of purchase by the first retail consumer or commercial end user, and continues for the twelve month consecutive period thereafter. Any unit used in a commercial application is covered for a period of 90 days after purchase. For the warranty to be valid, the product must be registered online at [www.GetEskimo.com](http://www.GetEskimo.com), or the warranty card must be filled out and received by Ardisam, Inc., within 30 days of purchase. Ardisam, Inc. shall not be obligated to ship any repair or replacement product to any location outside of the United States of America or Canada.

**For replacement parts, phone 800-345-6007 or go online to [www.GetEskimo.com](http://www.GetEskimo.com).**

*\*This warranty applies only to products which have not been subjected to negligent use, misuse, uses other than those indicated in the product's owner's manual, alteration, accident, use of unauthorized parts, failure to perform periodic maintenance as specified in product's owner's manual, normal wear and tear, use of unauthorized parts or repairs performed at non-authorized service centers. There is no other expressed warranty. Implied warranties, including those of merchantability and fitness for a particular purpose, are limited to one year from purchase, or to the extent permitted by law. All other implied warranties are excluded. Liability for incidental or consequential damages are excluded to the extent exclusion is permitted by law. Ardisam, Inc. does not assume, and does not authorize any other person to assume for us, any liability in connection with the sale of our products. To obtain warranty service, you must have prior approval by calling our customer service department at 1-800-345-6007. If you choose to ship your product to Ardisam for warranty repair, you must first have prior approval from Ardisam by calling our customer service department for a return material authorization number (RMA#). Under these circumstances, all items must be shipped prepaid. Ardisam will at no charge, repair or replace, at their discretion, any defective part which satisfies all conditions stated above. Ardisam retains the right to change models, specifications and price without notice. Ardisam, Inc. shall not be obligated to ship any repair or replacement product to any location outside of the United States of America or Canada.*

#### ESKIMO®

A Division of Ardisam, Inc.  
1160 Eighth Avenue; P.O. Box 666  
Cumberland, Wisconsin 54829  
1-800-345-6007 · Fax (715) 822-4180  
E-mail: [info@geteskimo.com](mailto:info@geteskimo.com)