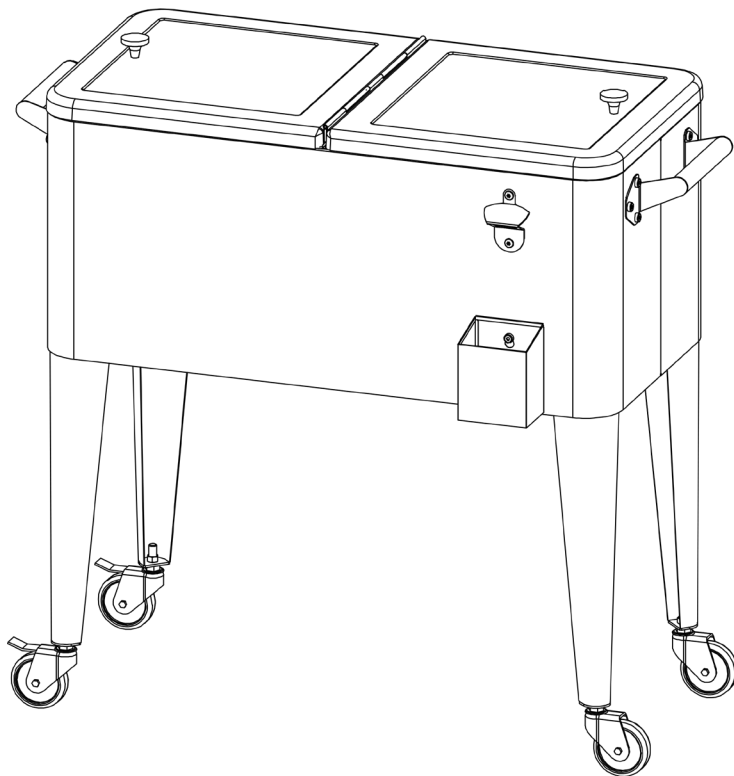


Permasteel 80QT Cooler

Use & Care Guide

Model number: **PS-203**



Thank you for purchasing your new patio cooler from Permasteel.
We hope you enjoy your product.

If you have any questions, please call us **1-888-287-0735**
or visit **www.permasteel.life**

Table of content

Important Information	2
Parts List	3
Hardware	4
Assembly Steps	5
Care & Maintenance	10
Limited Warranty Information	10

Important Information

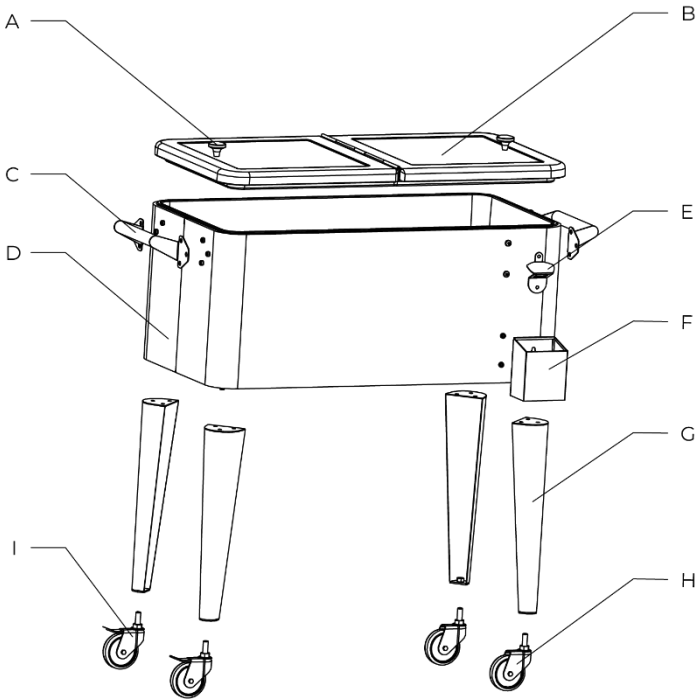
Thank you for your purchase of our Patio Cooler. We sincerely hope you will enjoy using our fine products.

- Please take time to read these instructions thoroughly and follow each step carefully for safe and easy operation.
- Please contact our customer service at 1-888-287-0735 if you have any questions.
- Please keep this manual for future reference.

 **CAUTION**

1. Hand tools only, use of power tools could damage product.
2. Remove all components, hardware and tools from box before assembly. Inventory and separate each of the hardware and components included.
3. Please consider recycling all applicable packaging material.

Parts List



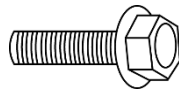
Key	Description	Qty
A	Lid Knob	2
B	Lid	1
C	Body Handle	2
D	Body (Basin)	1
E	Bottle Opener	1
F	Bottle Cap Catcher	1
G	Leg	4
H	Caster	2
I	Caster with Brake	2
AA	M6 x 16 Hex Flange Bolt	12
BB	M6 x 16 Hex Socket Bolt	14
CC	M5 x 35 Screw	2
DD	Washer	2

If you are missing any parts or have damaged parts, please call **1-888-287-0735** M-F 8:00-5:00 Pacific Time. For replacement, visit us at www.permasteel.life

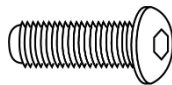
Hardware

The following hardware is provided in a poly bag.

M6x16mm Hex Flange Bolt: 12 pcs



M6x16mm Hex Socket Bolt: 14 pcs



M5x35mm Screw & Washer: 2 pcs (Note: Attached to lid knobs)



Tools Included:



Tools

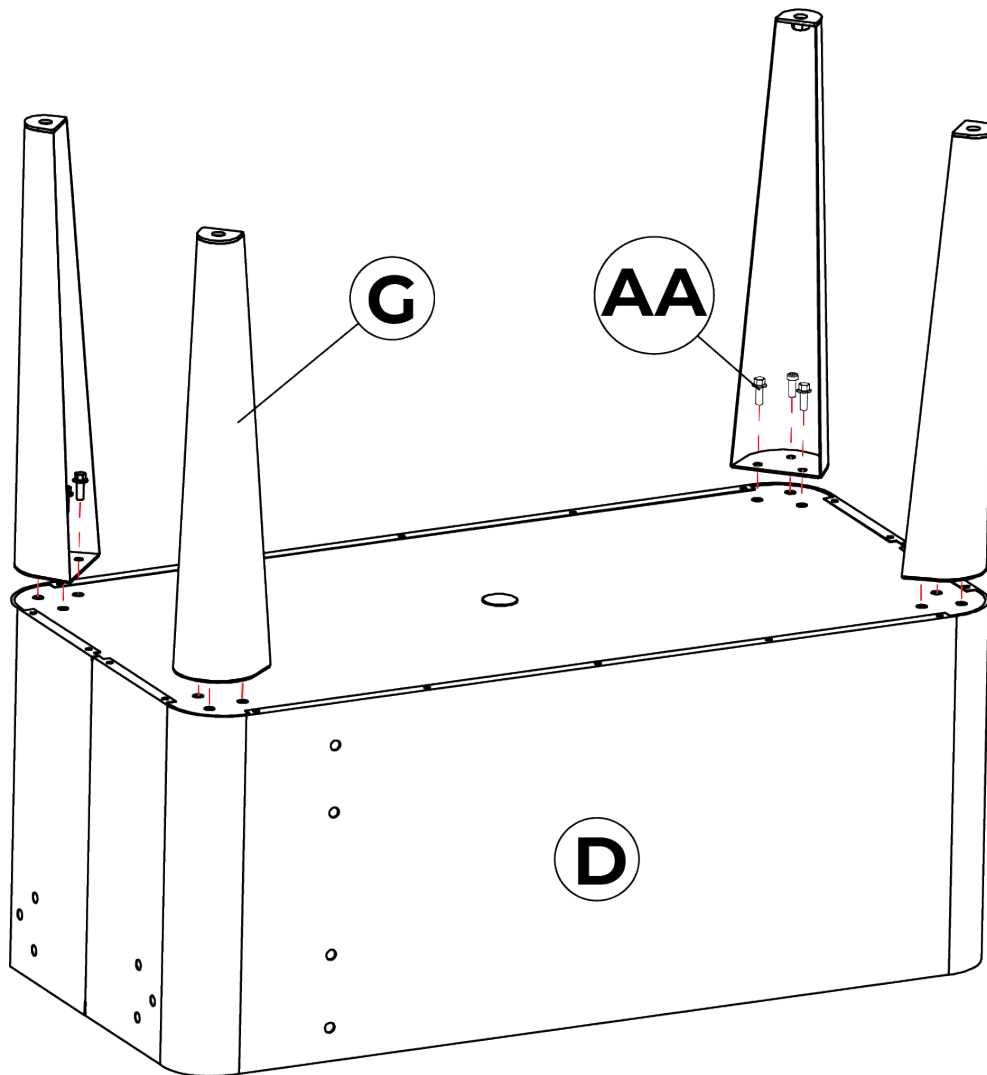
The following tools are required for assembly:

- Allen wrench (provided)
- Phillips screwdriver (not provided)

Assembly Instructions

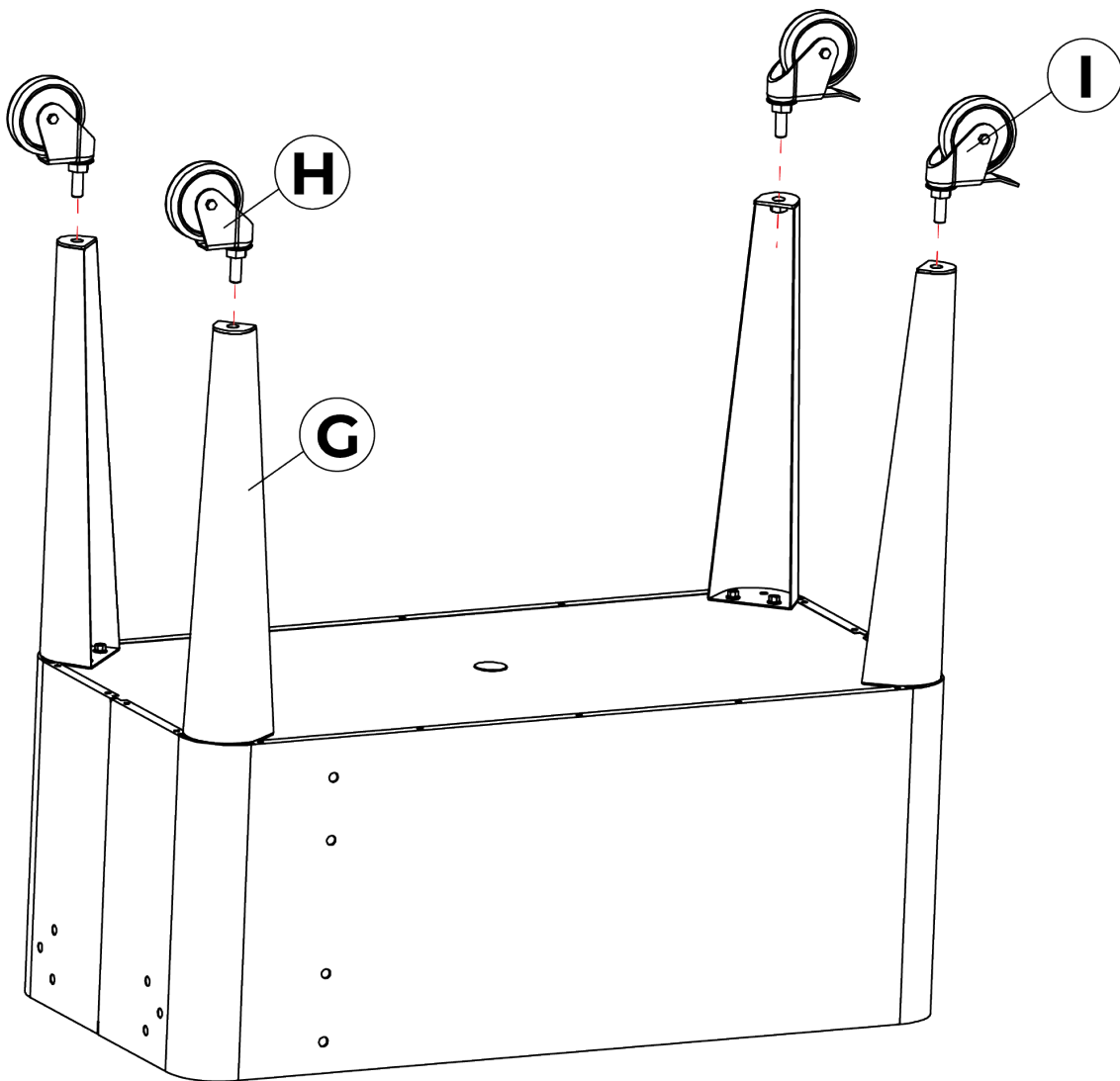
Step 1

- Turn body (basin) upside down, place it on a clean, soft surface and attach 4 legs (G) to body (D) with **(3) M6x16mm hex flange bolts (AA)** for each leg, a total of 12 bolts.



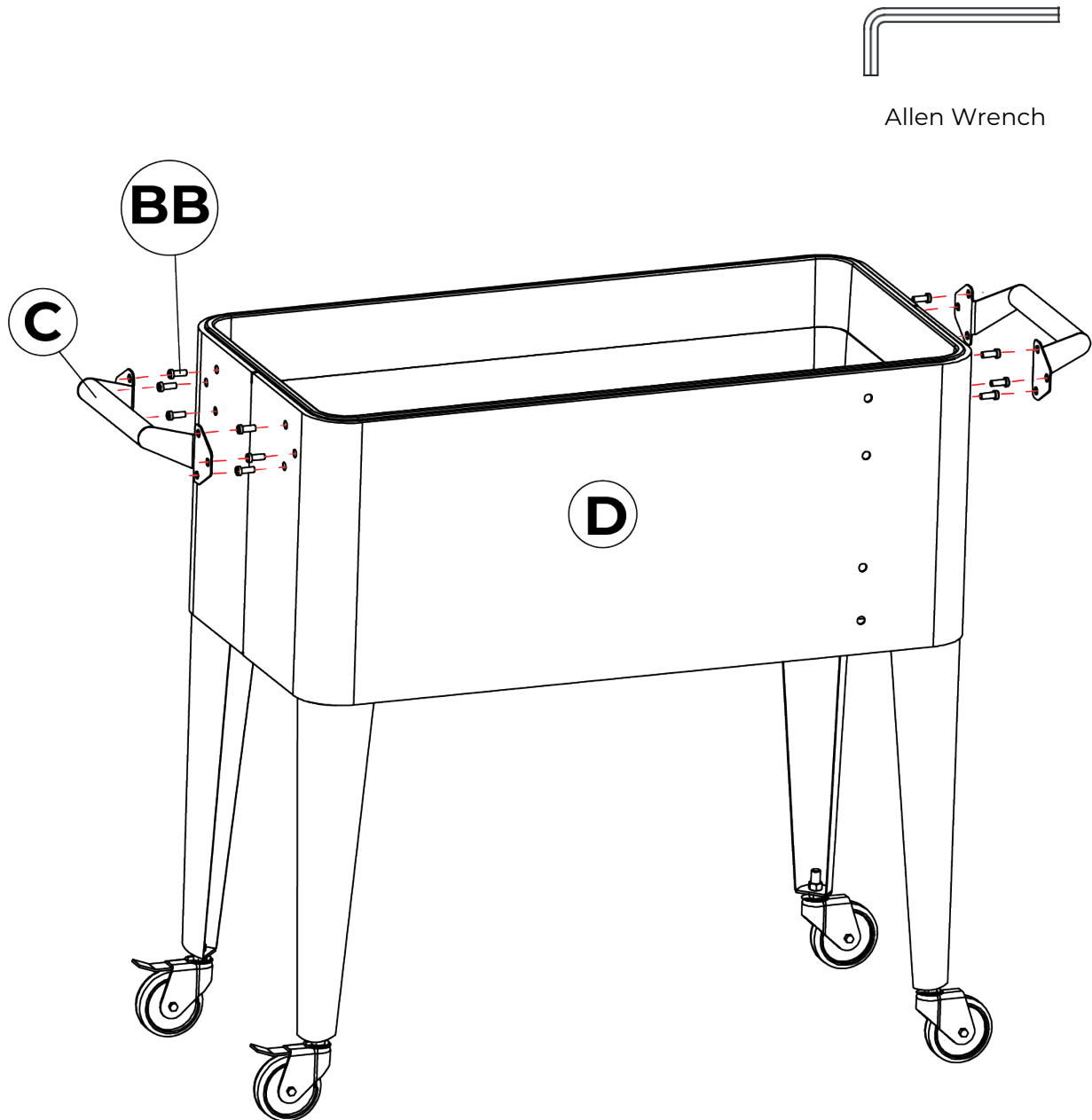
Step 2:

- Insert and thread casters (I) into two legs (G) on the same side.
- Insert and thread casters (H) into other two legs (G) on the same side.



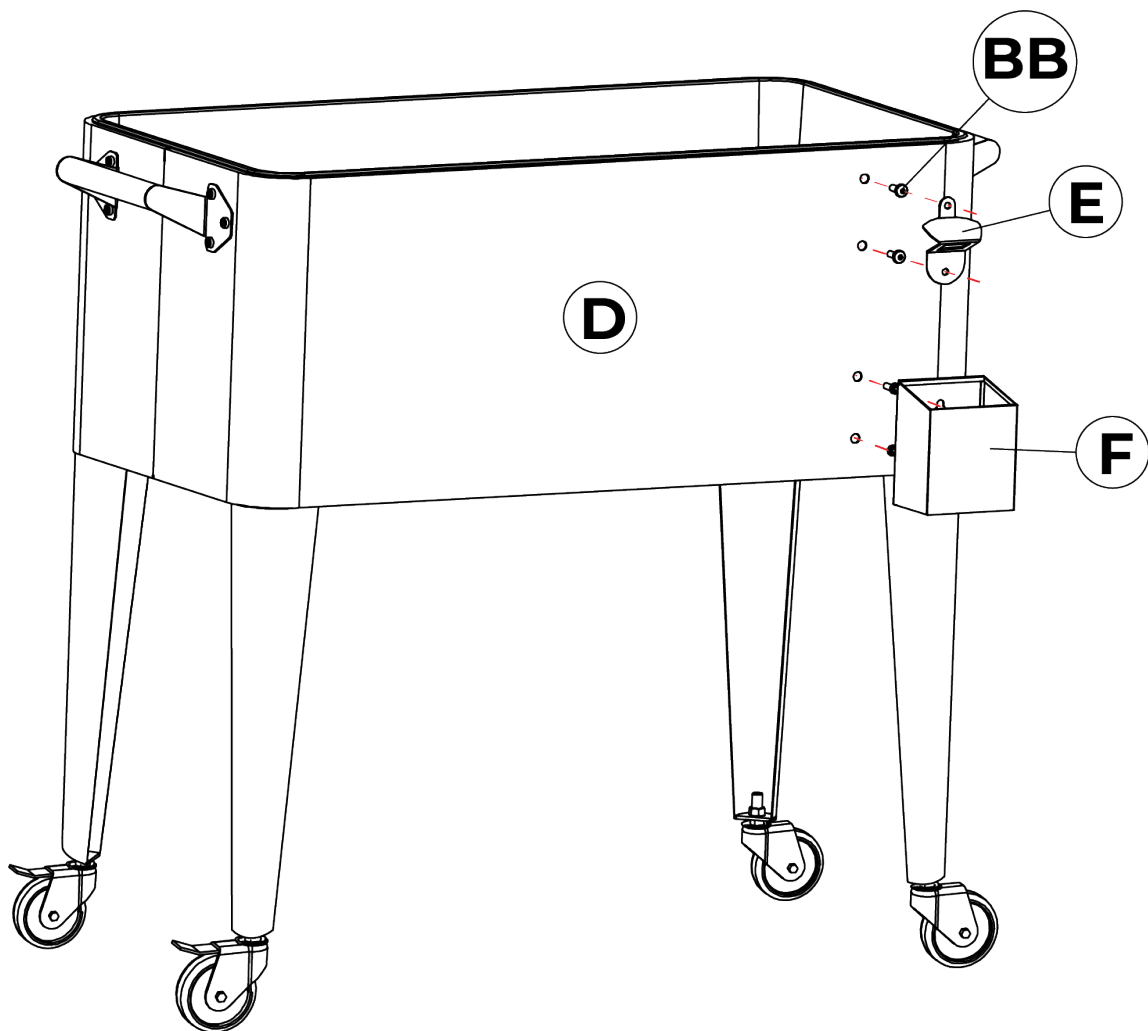
Step 3

- Attach the body handles (C) to body (D) using **(6) M6x16mm hex socket bolts (BB)** for each handle, a total of 12 bolts, and fully tighten with the provided Allen Wrench.



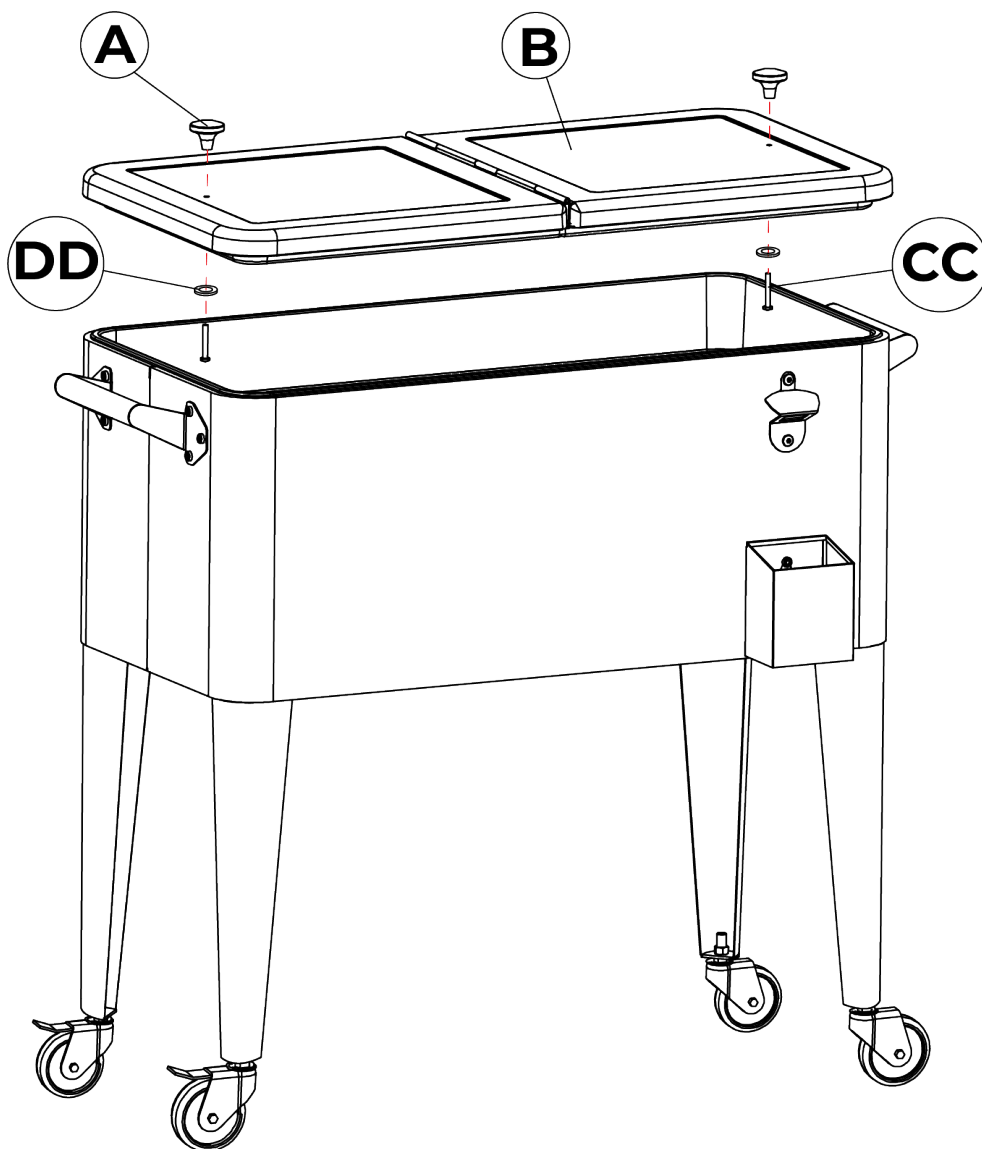
Step 4

- Attach the bottle opener (E) to body (D) using **(2) M6x16mm hex socket bolts (BB)** and tighten with the Phillips screwdriver.
- Attach the cap catcher (F) to body (D) by sliding it down over the 2 pre-installed bolts.



Step 5

- **Note:** The lid knobs (A) are pre-attached to the lid (B) with pre-installed **(2) M5x35mm screws (CC)** and **(2) washers (DD)**. They are upside down.
- Please remove the knobs using a Phillips screwdriver and re-assemble them on the lid right-side up.



Care & Maintenance

Manufacturer recommends the following care & maintenance:

- Cooler must be drained of water and completely dried in and out with a soft-clean cloth after every use.
- When cooler is not in use for prolonged periods, it is recommended to store it in an enclosed dry place such as a storage shed or garage.
- During the season when cooler is frequently used, it is recommended to use a weather-proof cover to cover when not in use.
- Periodically, apply a light coat of automotive wax to protect & prolong the life & finish of the cooler.
- We strongly recommend not rolling the cooler on rough surfaces such as pavers when the cooler is loaded full with ice & drinks.
- For further care & maintenance tips or questions, please call customer service at **1-888-287-0735** or email us at **service@permasteel.life** or visit us at **www.permasteel.life**

Limited Warranty

PERMASTEEL INC. Guarantees that this Product shall be free from defects in workmanship and materials, for a period of 90 Days from the date of original purchase.

Our obligation under this warranty shall be limited to replacement of parts during the warranty period. Our liability shall not extend beyond replacement of parts.

This warranty excludes normal wear & tear such as paint loss, discoloration and rust on the product and its parts or components, and any damage arising from any of the following: negligent use or misuse of the Product, use contrary to this User's Manual, or alteration by anyone other than Permasteel Inc.

All warranty coverage is void if this cooler is ever used for commercial or rental purposes; this warranty is valid only in the USA.

This warranty period of 90 Days shall not be extended or renewed for the repair or replacement of parts or compensation for the Product. If your Product is defective or otherwise requires service or parts, please call Permasteel Customer Service at **1-888-287-0735, between 8:00 a.m. to 5:00 p.m. PST.**
Email: service@permasteel.life or visit us at www.permasteel.life

Permasteel Inc. will ship parts free of charge for a period of 30 days from the date of purchase. The consumer is responsible for **shipping & handling and processing** of warranty claims after 30 days from the purchase date.

Proof of purchase, like purchase receipt, must accompany any service requests.

We hope you enjoy your product
and we are always here for you:

Visit us at: www.permasteel.life

Customer Service: **1-888-287-0735**

Email: service@permasteel.life

Distributed by
Permasteel Inc.
100 Exchange Place
Pomona,
CA 91768

Designed in California, Made in China