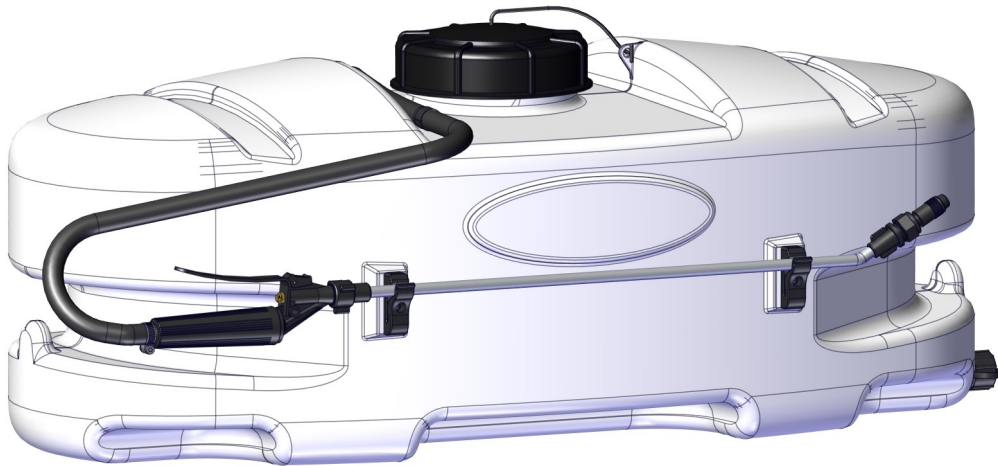


# OWNER'S MANUAL

Model: LG-15-EC-SP (5302942)  
(15 Gallon Lawn & Garden Spot Sprayer)



## General Information

Thank you for purchasing this product. The purpose of this manual is to assist you in operating and maintaining your lawn & garden Spot sprayer.

BEFORE RETURNING THIS PRODUCT  
FOR ANY REASON, PLEASE CALL

**1-800-831-0027**

MONDAY-FRIDAY, 8:00 AM TO 5:00 PM CST

If you should have a question or experience a problem with your Fimco Industries Product: Visit our website @ [www.fimcoindustries.com](http://www.fimcoindustries.com) or call the Toll free number above. Our technical support representatives will be happy to help you.

In most cases a customer service rep. can resolve the problem over the phone.

To obtain prompt, efficient service, always remember to give the following information....

- Correct Part Description and/or part number
- Model number and Serial Number

Part descriptions and numbers can be obtained from the illustrated parts list section(s) of this manual.

**Retain a copy of your receipt for your unit, as it will be required to validate any warranty service.**

Warranted against manufacturer or workmanship defects from date of purchase with copy of receipt:



Homeowner Usage: Sprayer-One Year and Pump-Two Years.

Commercial Usage: Sprayer and Pump-90 Days.



**WARNING:** To reduce the risk of injury, the user must read and understand the operator's manual before using this product.



**WARNING:** Cancer and Reproductive Harm.  
[www.P65Warnings.ca.gov](http://www.P65Warnings.ca.gov)



[www.fimcoindustries.com](http://www.fimcoindustries.com)

1000 FIMCO Lane, P.O. Box 1700, North Sioux City, SD 57049

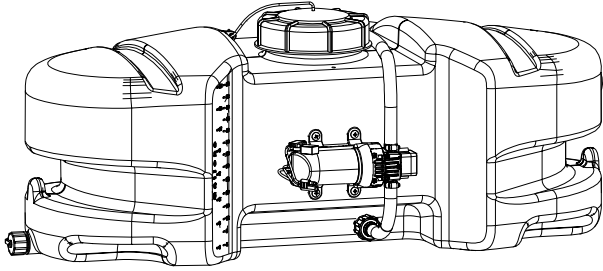
Toll Free Phone: 800-831-0027 : Toll Free Fax: 800-494-0440

[5195134

(12/22)]

## Contents

Technical Specs and Assembly Instructions .....	2	Troubleshooting .....	4 - 6
Operation and Maintenance .....	3	Dimensions.....	6
Tank Care and Winter Storage .....	4	Sprayer Exploded View/Parts List .....	7
Pump Exploded View and Parts List .....	4	Warranty .....	8



## Model: LG-15-EC (5301302)

(15 Gallon Lawn & Garden Spot Sprayer)

### Technical Specifications

- 15 Gallon Corrosion-Resistant Polyethylene Tank
- 12 Volt Diaphragm Pump, 1.2 GPM - 60 PSI
- Lever Handgun with 15 Ft. Handgun Hose (3/8" I.D.)
- 15 Ft. max. vertical throw, 25 Ft. horizontal throw

**Caution: Always check the vehicle load rating before using the sprayer.**  
**The loaded weight of this sprayer is approx.: 150 lbs. when the tank is full.**

### ~~~~~IMPORTANT~~~~~

Remove tank lid and be sure the tank is clean and free of any foreign material. Rinse tank out of any tank residue before filling with water to test.

### ~~~~~IMPORTANT~~~~~

It is VERY important to test this sprayer with plain water before actual spraying is attempted. This will enable you to familiarize yourself with the sprayer and check for leaks without the possibility of losing any expensive chemicals.

### ~~~~~WARNING~~~~~



**Read and Understand the Owner's Manual** before using this sprayer. Test and use in accordance to instructions.  
**Read and Follow** chemical label instructions and wear protective gear when filling, using, cleaning and servicing the sprayer.

**Exercise Caution** in vehicle handling when towing/hauling a filled sprayer to avoid loss of control or overturning.

**Keep Sprayer and Spray materials** away from other people, children and pets.

**Do Not Turn on Power** to the sprayer, until ready to spray in order to avoid unintentional spray release.

**Do Not Use** on steep slopes. A full sprayer could cause loss of control or overturn sprayer and vehicle.

**Always operate** up and down a slope, never across the face of a slope.

**Keep all movement on slopes** slow and gradual. Do not make sudden changes in speed, directions or turning. Do not start or stop suddenly when going uphill or downhill.

**Stop on level ground**, set the parking brake and shut off engine before leaving the operator's position for any reason.

**Keep all parts** in good condition and properly installed. Fix damaged or worn parts immediately.

**Caution should be taken** when towing and/or using any sprayer. This sprayer combined with the weight distribution, turning radius and speed of vehicle can result in damage to vehicle and/or sprayer or severe injury or death, if not used properly.

**Improper use of this sprayer or handling of chemicals could result in serious injury or illness, or could cause damage to the environment.**

### Assembly Instructions

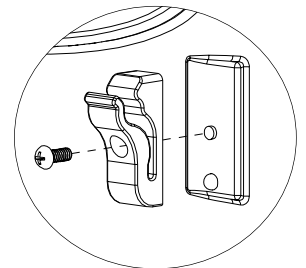
The sprayer has been mostly assembled at the factory.

- Attach the wand clips to the tank. Place a screw in the hole in the clip and bring up to the tank. Use a phillips head screwdriver to secure the holders in place.

**\*\*Do Not Over-Tighten\*\***

Do not use excessive force when placing the handgun into the clips, as this could cause breakage.

- Make sure all hose clamps are tight before testing or spraying for the first time.
- One requirement will be to hook up the battery leads to a fully charged 12 Volt battery.
- The drain plug assembly should already be attached to the tank.



**\*\*The Sprayer is now ready to TEST w/plain water before actual use\*\***

**IMPORTANT:** Remove tank lid and be sure the tank is clean and free of any foreign material. Rinse tank out of any tank residue before filling with water to test.

### Testing the Sprayer

**NOTE:**

It is important to test this sprayer for leakage and proper spray patterns with plain water before chemical application is attempted. This will also give you the opportunity to familiarize yourself with the operation of the sprayer.

Conditions of weather and terrain must be considered when setting the sprayer. Do not spray on windy days. Protective clothing must be worn in some cases

**Be sure to read the chemical label(s) before application!**

### Operation

The pumping system draws solution from the tank, through the strainer and to the pump. The pump forces the solution under pressure to the handgun.

Fill the tank part way with water and then add the desired amount of chemical to be sprayed. Finish filling tank to proper level.

**Only fill the tank with what you're going to spray in a day, never leave chemicals sit in tank.**

Connect the lead wire to a fully charged 12 volt battery. You may use either a stand-alone battery or the battery on your towing vehicle. Connect to the positive (red) terminal first, then connect to the negative (black) terminal. Then connect the end of the lead wire to the end of the pump. When disconnecting, disconnect the end of the pump wire from the lead wire, then disconnect the negative (black) connection and finally the positive (red) connection. The lead wire has an On/Off switch to activate the pump. “-” is on and “O” is off.

Turn the pump on by depressing the “-” side of the rocker switch.

The pump is equipped with a pressure switch that is pre-set at the factory to shut the pump off when all discharges are closed.

The pump will turn back on when the handgun lever is squeezed to spray.

- Activate the handgun by squeezing the handle lever.
- Rotating the adjustable nozzle tip on the handgun will change the tip pattern from a straight stream to a cone pattern (finer mist).

### Maintenance During/After Spraying

Periodically check the strainer and clean the screen on your intake line.

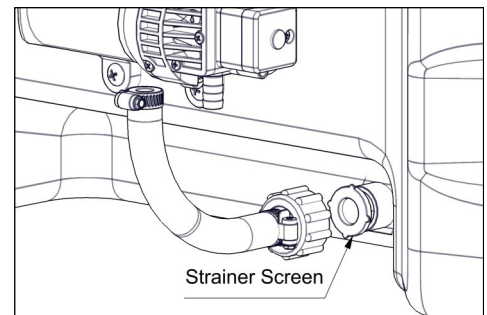
If sprayer becomes clogged during use, discontinue use immediately. DO NOT attempt to service while chemicals are in the sprayer and power is connected.

Proper care and maintenance will prolong the life of your sprayer.

After use, drain the tank and store or dispose of chemical properly. Fill the sprayer half way with clean water. Start the pump and allow the water to pump through the entire plumbing system and nozzles. Drain and then refill half full, add the recommended amount of a good quality tank cleaner, such as FIMCO Tank Neutralizer and Cleaner. (If no tank cleaner is available, you may substitute dish soap for this step, about 1-2 oz. per gallon). But a neutralizer/cleaner should be used to thoroughly clean the system. Turn pump on and circulate through system for 15 minutes and then spray out through boom and handgun nozzles. Refill sprayer half way with clean water and repeat. Follow the chemical manufacturer's disposal instructions of all wash or rinsing water.

If handgun nozzle needs cleaning, remove from the sprayer and soak in warm soapy water. Clean with a soft bristled brush or toothpick if necessary. Never use a metal object. Even the slightest damage can change the flow rate and spray distribution. Water rinse and dry the tips before storing.

**WARNING:** Some chemicals will damage the pump valves if allowed to soak untreated for a length of time! ALWAYS flush the pump as instructed after each use. DO NOT allow chemicals to sit in the pump for extended times of idleness. Follow the chemical manufacturer's instructions on disposal of all waste water from the sprayer.



#### Checking/Cleaning the sprayer's filter/screen:

- ◆ Empty the tank
- ◆ Unscrew the knurled nut from the tank.
- ◆ Swing (swivel) the intake assembly towards you. Look in the nut you JUST unscrewed. There is a screen/washer there.
- ◆ Remove the screen and clean as necessary. Replace when done and reassemble entire assembly.

### Tank Care & Maintenance

**Warning:** Do not use the tank as a container for fuel oils, kerosene, gasoline or any other petroleum distillate product. All polyolefins are softened and permeated by such products. In an enclosed area the vaporization of these materials from the outside surface of the tank could create a dangerous condition.

The tank should not be used as a pressure vessel nor used with chemicals or solutions having a weight of more than 12 pounds per gallon.

Store the tank in a dry dark place when not in use. Storage out of sunlight will prolong the life of the tank.

Do not drop, strike or kick the tank, especially at low temperatures. Tanks become brittle and are subject to cracking at temperatures below 20° Fahrenheit.

Always flush the tank with water and a neutralizing agent at the end of each use, to prevent contamination of solutions.

### Winter Storage

Prepare the sprayer for end-of-season storage by running RV antifreeze through the system. This will keep internal parts lubricated, protect against corrosion and keep the unit from freezing. *Note: RV antifreeze is non-toxic and biodegradable and generally safer for the environment than automotive antifreeze.*

Before storing your sprayer for winter or long term storage, thoroughly clean and drain it as much as possible. Then pour enough pink RV antifreeze into the tank so that when the pump is turned on you can pump the antifreeze throughout the entire plumbing system, including the bypass. Make sure to operate the handgun until you see pink fluid spraying from the nozzle. Leave any remaining antifreeze in the tank. Before your next usage, rinse the antifreeze from the sprayer with clean water.

It is nearly impossible to drain all of the water from the sprayer and any trapped water can freeze in cold weather and damage parts of the sprayer. Pumping the antifreeze through the system will displace the water and help prevent this damage.

Removing from storage: drain the antifreeze. Fill the tank with fresh water and run through the system. Dispose of antifreeze and flush water properly.

**HIGHFLO**  
HIGH PERFORMANCE

Pump Model: 5281370  
1.2 GPM - 60 PSI  
Available Replacement Parts  
Replacement Pump: 5151086

Ref. #	Part #	Description	Qty
1	5164272	1.2 GPM Pump Head	1
1.1	5164271	60 PSI Pressure Switch Assembly	1
2	5095202	Pump Mount Feet (4 Pack)	1
3	5157204	5 Amp 'Mini Blade' Fuse	1



- Clean and rinse pump after each use with Fimco Tank Neutralizer.
- Winterize pump or sprayer by rinsing, draining and running RV Antifreeze through it before storing for the winter.
- Use clean water for spray mixture.
- Store inside a building when not in use.



- Use to pump bleach.
- Use to pump petroleum products such as diesel fuel, gasoline or kerosene.
- Use to pump chemicals w/petroleum distillates or surfactants.
- Use to store flammable or combustible liquids.
- Leave pump sit with spray mixture in it for extended periods.
- Use dirty or unfiltered water for spraying.

**CAUTION**

**PRESSURE SWITCH OPERATION**

Pressure switch is pre-set at the factory. Improper adjustment of the pressure, may cause severe overload or premature failure. If pump is subjected to rapid cycling during normal operations or infrequent periods, damage may occur.

**WARNING**

DO NOT USE PUMP IN AN EXPLOSIVE ENVIRONMENT.  
DO NOT USE TO PUMP FLAMMABLE/COMBUSTIBLE FLUIDS, GASOLINE, KEROSENE, FUEL, OIL, ETC.

**Before Troubleshooting or Attempting to Service the Pump:**

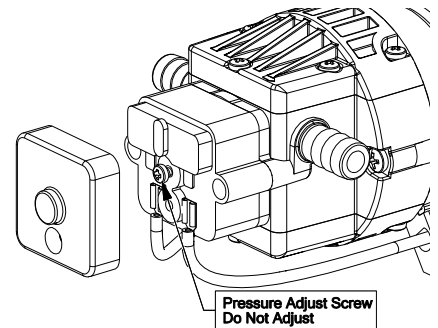
- ◆ **Review Troubleshooting Chart:** Do Not attempt to repair until steps below are followed.
- ◆ **Personal Protective Gear:** Wear protective gear when servicing pump.
- ◆ **Disconnect Power:** Disconnect the power to the pump and relieve the pressure from the system.
- ◆ **Empty and Flush** the pump system with water, never attempt to service the pump until it has been emptied and flushed.
- ◆ **Perform Repairs:** Follow directions provided in the troubleshooting section to repair the pump.
- ◆ **Test:** Always test the pump for leaks with plain water after any repairs before using.

Troubleshooting																																														
<table border="1" style="width: 100%; border-collapse: collapse;"> <tr> <td rowspan="6" style="width: 20%;">Pump will not run:</td> <td>Check for loose wiring</td> </tr> <tr> <td>Make sure the ON/OFF switch is on</td> </tr> <tr> <td>Check the fuse</td> </tr> <tr> <td>Check for defective pressure switch</td> </tr> <tr> <td>Check to see if connected to good 12 Volt Power Source</td> </tr> <tr> <td>Check for Low Voltage</td> </tr> <tr> <td rowspan="5" style="vertical-align: top;">Pump Does Not Prime (No Discharge w/Motor Running)</td> <td>Check for clogged strainer/filter</td> </tr> <tr> <td>Check for kinked inlet/outlet hoses</td> </tr> <tr> <td>Check for empty product supply</td> </tr> <tr> <td>Check for cracks in the pump housing</td> </tr> <tr> <td>Check for air leaks in supply line</td> </tr> <tr> <td rowspan="6" style="vertical-align: top;">Low Pressure/ Low Flow:</td> <td>Check for a clogged strainer</td> </tr> <tr> <td>Check for proper voltage Try another 12-Volt battery</td> </tr> <tr> <td>Check for leaks in the discharge line</td> </tr> <tr> <td>Check for restrictions in the discharge line</td> </tr> <tr> <td>Check for debris in intake</td> </tr> <tr> <td>Check for debris in nozzle orifice</td> </tr> </table>	Pump will not run:	Check for loose wiring	Make sure the ON/OFF switch is on	Check the fuse	Check for defective pressure switch	Check to see if connected to good 12 Volt Power Source	Check for Low Voltage	Pump Does Not Prime (No Discharge w/Motor Running)	Check for clogged strainer/filter	Check for kinked inlet/outlet hoses	Check for empty product supply	Check for cracks in the pump housing	Check for air leaks in supply line	Low Pressure/ Low Flow:	Check for a clogged strainer	Check for proper voltage Try another 12-Volt battery	Check for leaks in the discharge line	Check for restrictions in the discharge line	Check for debris in intake	Check for debris in nozzle orifice	<table border="1" style="width: 100%; border-collapse: collapse;"> <tr> <td rowspan="7" style="width: 20%;">Pump surges:</td> <td>Low flow may cause pump to surge</td> </tr> <tr> <td>Spray Wand is adjusted to small or fine of a spray pattern</td> </tr> <tr> <td>Check for defective pressure switch</td> </tr> <tr> <td>Check for leaks in the discharge line</td> </tr> <tr> <td>Check for debris in nozzle orifice</td> </tr> <tr> <td>Discharge hose may be too long</td> </tr> <tr> <td>Check for clogged strainer/filter</td> </tr> <tr> <td rowspan="4" style="vertical-align: top;">Pump continues to run:</td> <td>Pressure switch may need to be adjusted 1/4 turn at a time clockwise until surging stops</td> </tr> <tr> <td>Check for empty product supply</td> </tr> <tr> <td>Check for Low Voltage</td> </tr> <tr> <td>Check for leaks in the discharge line</td> </tr> <tr> <td rowspan="5" style="vertical-align: top;">Fuse blows:</td> <td>Check for defective pressure switch</td> </tr> <tr> <td>System has leaks</td> </tr> <tr> <td>Air trapped in outlet line or pump head</td> </tr> <tr> <td>Excessive voltage</td> </tr> <tr> <td>Improper adjustment of pressure switch</td> </tr> <tr> <td></td> <td>Damaged or defective wiring harness</td> </tr> <tr> <td></td> <td>Defective pressure switch</td> </tr> <tr> <td></td> <td>Half-moon &amp; Counterweight are sticking</td> </tr> </table>	Pump surges:	Low flow may cause pump to surge	Spray Wand is adjusted to small or fine of a spray pattern	Check for defective pressure switch	Check for leaks in the discharge line	Check for debris in nozzle orifice	Discharge hose may be too long	Check for clogged strainer/filter	Pump continues to run:	Pressure switch may need to be adjusted 1/4 turn at a time clockwise until surging stops	Check for empty product supply	Check for Low Voltage	Check for leaks in the discharge line	Fuse blows:	Check for defective pressure switch	System has leaks	Air trapped in outlet line or pump head	Excessive voltage	Improper adjustment of pressure switch		Damaged or defective wiring harness		Defective pressure switch		Half-moon & Counterweight are sticking
Pump will not run:		Check for loose wiring																																												
		Make sure the ON/OFF switch is on																																												
		Check the fuse																																												
		Check for defective pressure switch																																												
		Check to see if connected to good 12 Volt Power Source																																												
	Check for Low Voltage																																													
Pump Does Not Prime (No Discharge w/Motor Running)	Check for clogged strainer/filter																																													
	Check for kinked inlet/outlet hoses																																													
	Check for empty product supply																																													
	Check for cracks in the pump housing																																													
	Check for air leaks in supply line																																													
Low Pressure/ Low Flow:	Check for a clogged strainer																																													
	Check for proper voltage Try another 12-Volt battery																																													
	Check for leaks in the discharge line																																													
	Check for restrictions in the discharge line																																													
	Check for debris in intake																																													
	Check for debris in nozzle orifice																																													
Pump surges:	Low flow may cause pump to surge																																													
	Spray Wand is adjusted to small or fine of a spray pattern																																													
	Check for defective pressure switch																																													
	Check for leaks in the discharge line																																													
	Check for debris in nozzle orifice																																													
	Discharge hose may be too long																																													
	Check for clogged strainer/filter																																													
Pump continues to run:	Pressure switch may need to be adjusted 1/4 turn at a time clockwise until surging stops																																													
	Check for empty product supply																																													
	Check for Low Voltage																																													
	Check for leaks in the discharge line																																													
Fuse blows:	Check for defective pressure switch																																													
	System has leaks																																													
	Air trapped in outlet line or pump head																																													
	Excessive voltage																																													
	Improper adjustment of pressure switch																																													
	Damaged or defective wiring harness																																													
	Defective pressure switch																																													
	Half-moon & Counterweight are sticking																																													

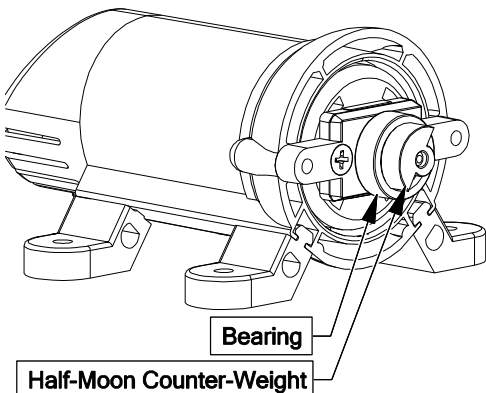
**Motor is NOT Running - Checking the Pressure Switch:**

If motor is not running and you've checked the following: for loose wiring connections, fuse, switch on lead wire was "ON" and made sure you were connected to a fully charged battery but the motor won't run, then it's time to check to see if the pressure switch is bad.

- Remove the cover off the 1" square box (pressure switch) on the head of the pump, the cover is held on by one phillips-head screw. This will expose the two red wires.
  - With the pump connected to a good 12 volt power source and everything on.
  - Slip the two red wires off the terminals and touch them together.
- ◆ If motor runs, it means the pressure switch is bad and needs to be replaced.
  - ◆ If motor still doesn't run, try bypassing the switch in the lead wire or using another lead wire. Even if a tester shows power to the pressure switch, still try this test.



**Warning:** It is NOT recommended to run the pump this way, as the pump will continue to run and not shut off. This could result in blown hoses when all discharges are closed or premature failure of the pump completely.



**Motor Running-BUT No Pressure:**

CHECK:

Both the counterweight and the bearing need to spin freely and both need to spin INDEPENDENTLY of each other. If these 2 pieces are 'stuck' together, you will need to break them free and whether or not they are sticking, spray some good quality lubricant or something similar on them and let it soak in and this should restore most of your prime.

## Sprayer and Pump FAQs:

### ◆ Why does the pump not run all the time?

This is an on-demand pump and only runs when a discharge is open (spray gun, bypass, boom (if applicable) or a leak is in the system).

### ◆ Why does the pump surge while using the spray gun?

Low flow/high pressure may cause the pump to surge (or cycle). Typically the spray wand is adjusted at too fine of a mist, to overcome, adjust the nozzle for a higher flow.

### ◆ How do I adjust the pressure?

Pressure can only be adjusted by opening the pressure adjust (bypass) valve to allow some of your water or solution to return to the tank (if equipped).

### ◆ Pump quit and will not run, what do I need to do?

Squeeze trigger on spray gun to ensure that the system isn't just pressurized up with discharges closed. Check electrical connections, ensure switch is on. Check fuses. Check for proper voltage. Check pressure switch.

### ◆ Low flow or no flow at all, what do I need to check for?

Check for a clogged or kinked intake hose and/or clogged intake strainer. Check for proper voltage. You will need to occasionally check your intake strainer to ensure that it is clean of any debris.

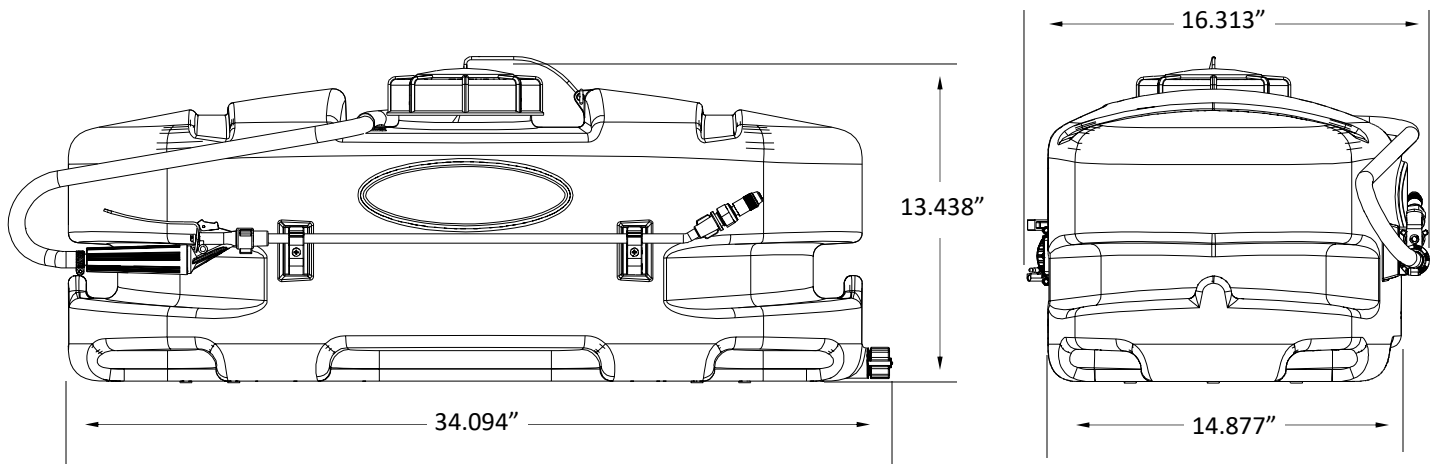
### ◆ What is causing the fuse to blow each time I turn the pump on?

Check for excessive voltage. Improper adjustment of the pressure switch. Damaged or defective wire harness or defective pressure switch. Half-Moon counterweight and bearing are seized up.

### Warning:

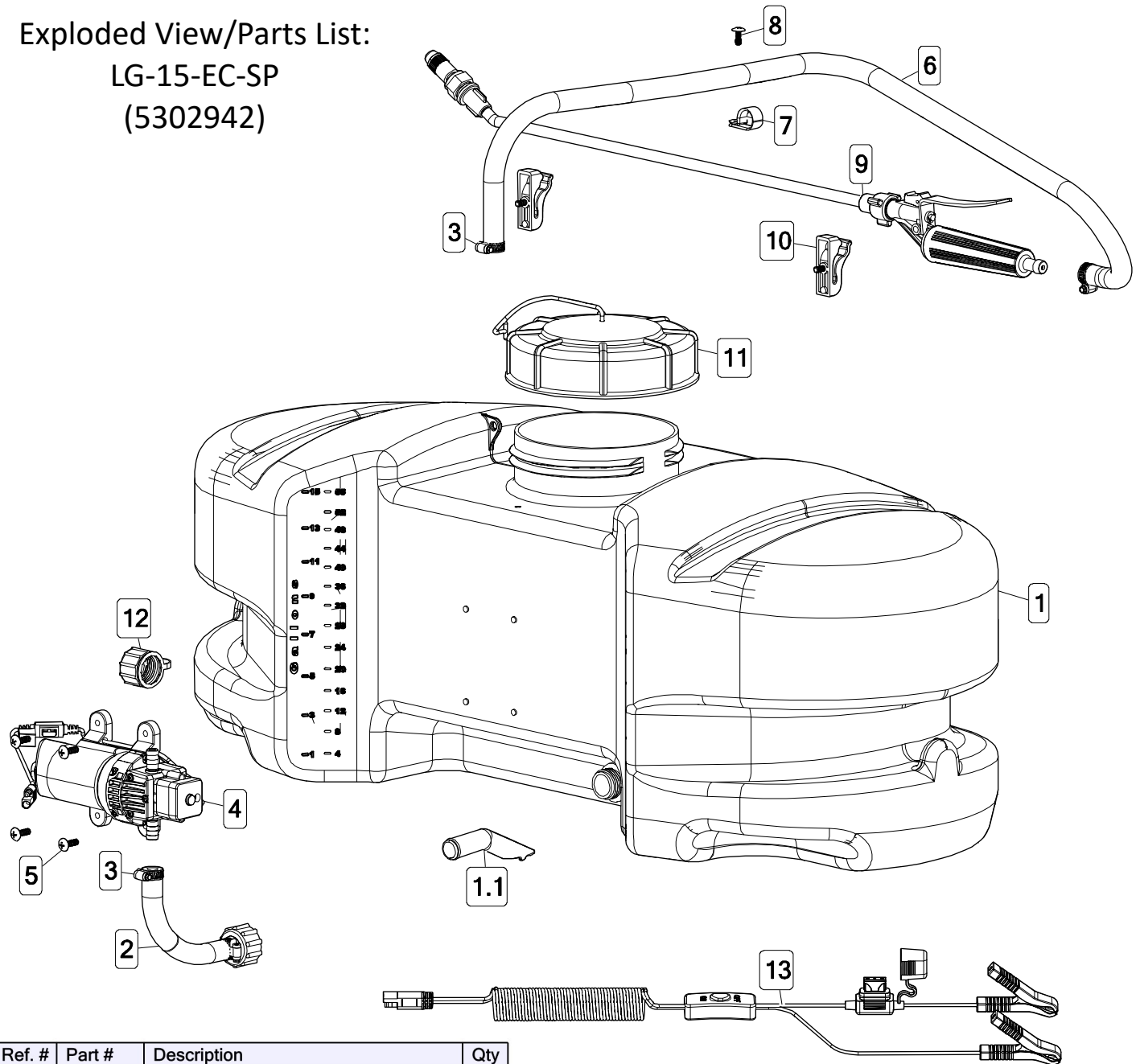
Ensure the wiring harness does not become pinched or damaged in any way. This may damage the pump or cause the wiring harness to overheat, resulting in a melt down or fire.

## Approx. Dimensions:

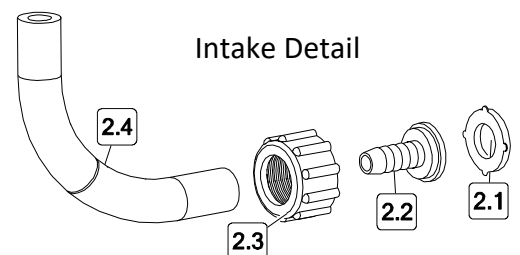
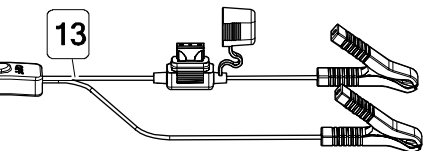




Exploded View/Parts List:  
 LG-15-EC-SP  
 (5302942)



Ref. #	Part #	Description	Qty
1	5169242	15 Gallon Tank (White)	1
1.1	5100452	Siphon Tube	1
2	5275511	Inlet Sub-Assembly (EC Units)	1
2.1	5116242	Strainer, 1" Filter Washer	1
2.2	5149034	Poly Swivel, 3/8" Hose Barb	1
2.3	5006209	Poly Knurled Swivel Nut, 3/4" FGHT	1
2.4	5020535	Hose, 3/8"-1 Brd. x 6 1/2"	1
3	5051144	Hose Clamp, 3/8"	4
4	5281370	1.2 GPM PUMP	1
5	5117167	#10-24 x 0.625 PH Truss Head Screw	4
6	5020524	Hose, 3/8"-1 Brd. x 15 Ft.	1
7	5051122	5/8" Black Nylon Loom Cable Clamp	1
8	5117234	#10-24 x 1/2" PH Round Head Screw	1
9	5163100	Low-Flow Spray Wand w/X-26 Tip	1
9.1	5018330	Handgun Tip (X-26)	1
10	5274880	Handgun Clips & Screws (Pkg/2)	1
11	5058188	Tank Lid w/Lanyard	1
12	5274373	Drain Plug Assembly	1
13	5278017	Lead Wire w/5A Fuse (96" Long)	1
13.1	5157237	5 Amp Regular Blade Fuse	1



# Warranty Information

## LIMITED WARRANTY FOR NEW FIMCO, IND. EQUIPMENT

**WHO MAY USE THIS LIMITED WARRANTY.** This limited warranty (the "Limited Warranty") is provided by Fimco, Ind. to the original purchaser ("you") of the Equipment (as defined below) from Fimco, Ind. or one of Fimco, Ind.'s authorized dealers. This Limited Warranty does not apply to any subsequent owner or other transferee of the Equipment. THIS LIMITED WARRANTY GIVES YOU SPECIFIC LEGAL RIGHTS, AND YOU MAY ALSO HAVE OTHER RIGHTS WHICH VARY FROM STATE TO STATE.

**WHAT THIS LIMITED WARRANTY COVERS AND FOR HOW LONG.** Fimco, Ind. warrants that any new Equipment will be free from defects in material and workmanship for a period of **one (1) year** for sprayer and **two (2) years** for High-Flo High Performance pump (homeowner), **90 days** for sprayer and pump (commercial user), after delivery of the Equipment to you (the "Warranty Period"). The Warranty Period is not extended if Fimco, Ind. repairs or replaces the Equipment.

**WHAT IS NOT COVERED BY THIS LIMITED WARRANTY.** This Limited Warranty does not apply to: (1) used Equipment; (2) any Equipment that has been altered, changed, repaired or treated since its delivery to you, other than by Fimco, Ind. or its authorized dealers; (3) damage or depreciation due to normal wear and tear; (4) defects or damage due to failure to follow Fimco, Ind.'s operator's manual, specifications or other written instructions, or improper storage, operation, maintenance, application or installation of parts; (5) defects or damage due to misuse, accident or neglect, "acts of God" or other events beyond Fimco, Ind.'s reasonable control; (6) accessories, attachments, tools or parts that were not manufactured by Fimco, Ind., whether or not sold or operated with the Equipment; or (7) rubber parts, such as tires, hoses and grommets.

**HOW TO OBTAIN WARRANTY SERVICE.** To obtain warranty service under this Limited Warranty, you must (1) provide written notice to Fimco of the defect during the Warranty Period and within **thirty (30)** days after the defect becomes apparent or the repair becomes necessary, at the following address: Fimco, 1000 Fimco Lane, North Sioux City, SD 57049; and (2) make the Equipment available to Fimco or an authorized dealer within a reasonable period of time. For more information about this Limited Warranty, please call: **800-831-0027**

**WHAT REMEDIES ARE AVAILABLE UNDER THIS LIMITED WARRANTY.** If the conditions set forth above are fulfilled and the Equipment or any part thereof is found to be defective, Fimco, Ind. shall, at its own cost, and at its option, either repair or replace the defective Equipment or part. Fimco, Ind. will pay for shipping and handling fees to return the repaired or replacement Equipment or part to you.

**LIMITATION OF IMPLIED WARRANTIES AND OTHER REMEDIES.** THE REMEDIES DESCRIBED ABOVE ARE YOUR SOLE AND EXCLUSIVE REMEDIES, AND FIMCO, IND.'S SOLE LIABILITY, FOR ANY BREACH OF THIS LIMITED WARRANTY. TO THE EXTENT APPLICABLE, ANY IMPLIED WARRANTIES, INCLUDING, WITHOUT LIMITATION, THE IMPLIED WARRANTIES OF MERCHANTABILITY AND FITNESS FOR A PARTICULAR PURPOSE, SHALL BE LIMITED IN DURATION TO THE WARRANTY PERIOD, AND THE REMEDIES AVAILABLE FOR BREACH THEREOF SHALL BE LIMITED TO THE REMEDIES AVAILABLE UNDER THIS EXPRESS LIMITED WARRANTY. SOME STATES DO NOT ALLOW LIMITATIONS ON HOW LONG AN IMPLIED WARRANTY LASTS, SO THE ABOVE LIMITATION MAY NOT APPLY TO YOU. IN NO EVENT SHALL FIMCO, IND.'S LIABILITY UNDER THIS LIMITED WARRANTY EXCEED THE ACTUAL AMOUNT PAID BY YOU FOR THE DEFECTIVE EQUIPMENT, NOR SHALL FIMCO, IND. BE LIABLE, UNDER ANY CIRCUMSTANCES, FOR ANY CONSEQUENTIAL, INCIDENTAL, SPECIAL OR PUNITIVE DAMAGES OR LOSSES, WHETHER DIRECT OR INDIRECT. SOME STATES DO NOT ALLOW THE EXCLUSION OR LIMITATION OF INCIDENTAL OR CONSEQUENTIAL DAMAGES, SO THE ABOVE LIMITATION OR EXCLUSION MAY NOT APPLY TO YOU.