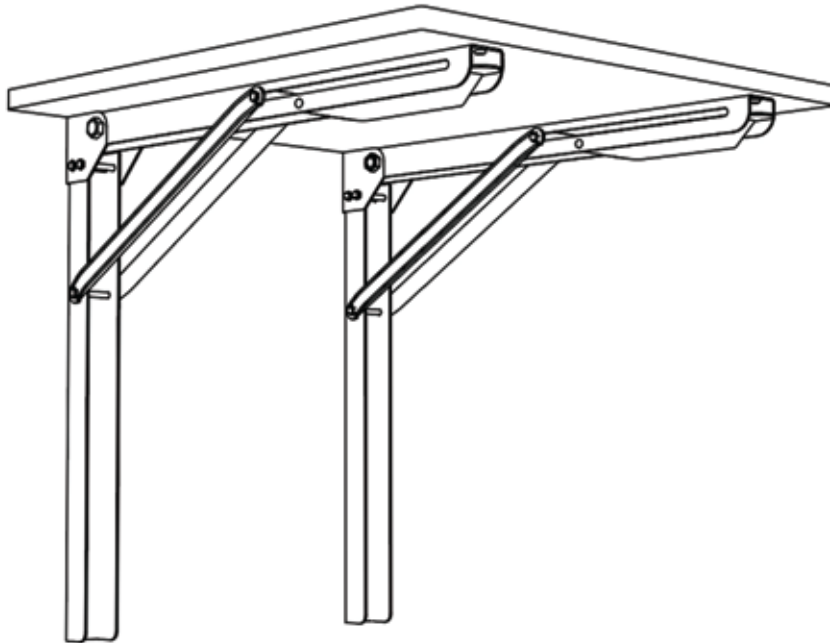


ITEM # WMFW Foldable Work Bench Assembly Instructions

Max Weight Capacity 550 Lb



READ ALL INSTRUCTIONS AND WARNINGS BEFORE USING THIS PRODUCT.

This manual provides important information on proper operation & maintenance. Every effort has been made to ensure the accuracy of this manual. These instructions are not meant to cover every possible condition and situation that may occur. We reserve the right to change this product at any time without prior notice.

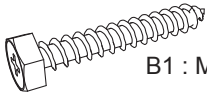
**IF THERE IS ANY QUESTION ABOUT A CONDITION BEING SAFE OR UNSAFE,
DO NOT USE THIS PRODUCT!**

QUESTIONS? PROBLEMS? CONTACT CUSTOMER SERVICE.

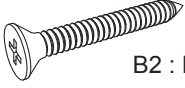
If you experience a problem, have questions or need parts for this product, visit our website <http://www.buffalotools.com> or call Customer Service at 1-636-532-9888, Monday-Friday, 8 AM - 4 PM Central Time, or email : info@buffalotools.com. A copy of the sales receipt is required.

**KEEP THIS MANUAL, SALES RECEIPT & APPLICABLE WARRANTY FOR
FUTURE REFERENCE.**

PARTS LIST



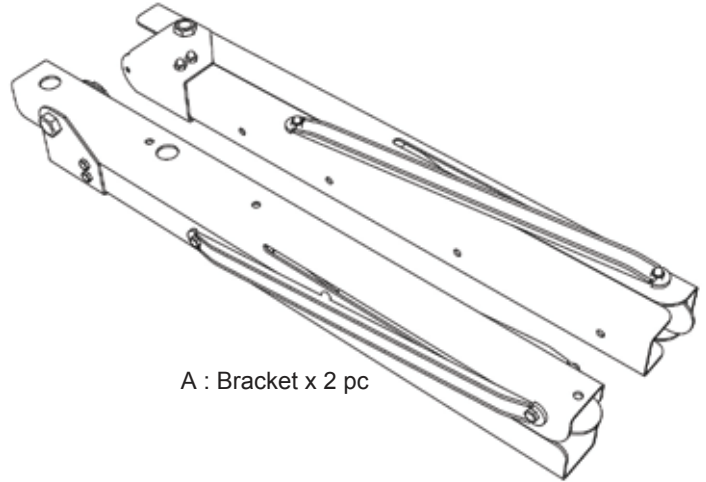
B1 : M6 x 40mm screws x 8 pc



B2 : M5 x 40mm screws x 2 pc



C : M5 x 20mm screws x 6 pc



A : Bracket x 2 pc

Locate wood studs in wall, then determine distance between brackets according to workbench size. Attach bracket onto the wall using provided screws (B2, B1) through the large hole (see Image 1) and make sure the bracket is vertical to the ground. Unfold the bracket and make sure it is locked (see Image 2 & Image 3), then screw in the rest screw (B1).

Use screws (B1,B2) to repeat the same steps to install the other bracket. Use a level to make sure brackets are even.

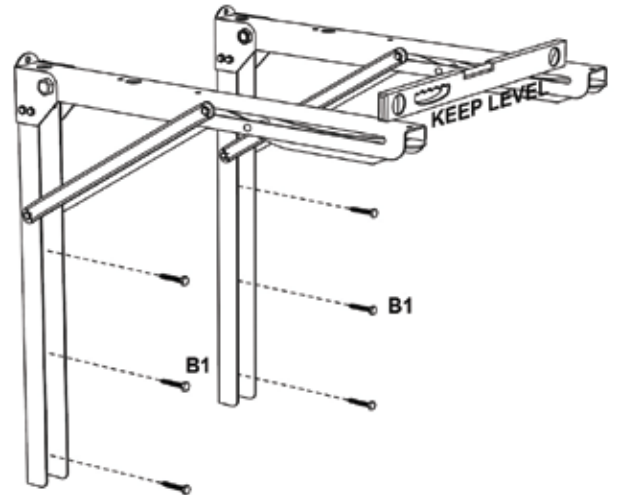
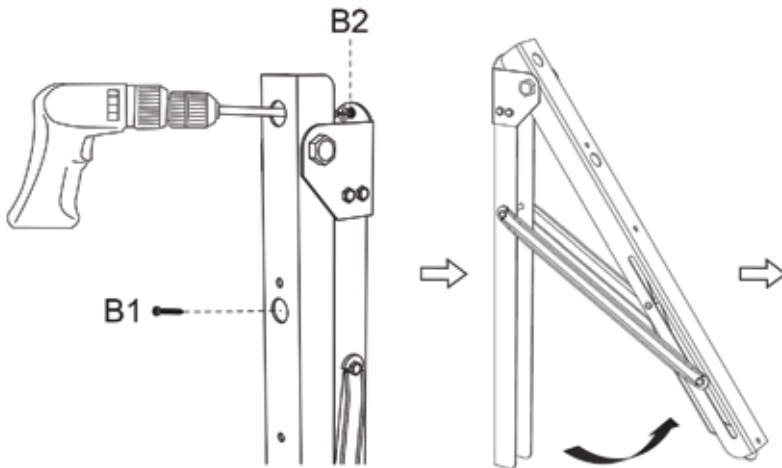


Image 3

Use screw (C) to fasten the bracket to table top.

When not in use, gently press the handle on bracket, to allow the table to fold down.

