

SSADJWT

Stainless Steel Adjustable Table w/Casters Assembly Instructions

Max Weight Capacity = 220 Lbs



READ ALL INSTRUCTIONS AND WARNINGS BEFORE USING THIS PRODUCT.

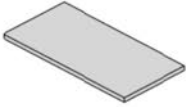
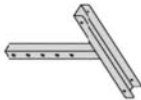

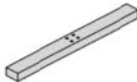






This manual provides important information on proper operation & maintenance. Every effort has been made to ensure the accuracy of this manual. These instructions are not meant to cover every possible condition and situation that may occur. We reserve the right to change this product at any time without prior notice.



**IF THERE IS ANY QUESTION ABOUT A CONDITION BEING SAFE OR UNSAFE,
DO NOT USE THIS PRODUCT!**

HAVE QUESTIONS? Call Customer Service.

If you experience a problem, have questions or need parts for this product, visit our website <http://www.sportsmanseriesbrand.com> or call Customer Service at 1-636-532-9888, Monday-Friday, 8 AM - 4 PM Central Time. A copy of the sales receipt is required.

KEEP MANUAL, SALES RECEIPT & APPLICABLE WARRANTY FOR REFERENCE

				
Table Top	Upper Bracket	Down Bracket	Bottom Base	Bottom Rail
1	2	2	2	1
				
Support Bar	Castor	M6*55 Screw	M6*20 Screw	M6 Nut
2	4	4	16	12

	
Hex Key	Spanner
1	1

Check all packaging materials for any small parts that may have come loose during shipping. Before assembly, locate and identify all parts.

ASSEMBLY INSTRUCTION

WARNING: BE PREPARED FOR TEAM LIFT WHEN ASSEMBLING/MOVING HEAVY TABLE.

WARNING: SHARP EDGES CAN CAUSE INJURY. USE CAUTION WHEN ASSEMBLING/MOVING TABLE.

WARNING: DO NOT SIT OR STAND ON TABLE OR SHELF.

WARNING: MAKE SURE CASTERS ARE IN LOCKED POSITION BEFORE USE.

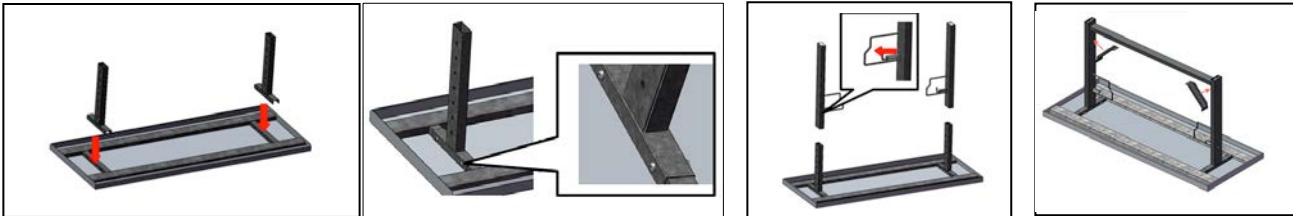


Fig 1

Fig 2

Fig 3

Fig 4

1. Place the table top on it's face on the floor.
2. Insert the Upper Brackets into the square tubes situated at each side of the Table Top, screw them together using M6*55mm screws and N u t s . (Fig .1,2)
3. Insert the Down Brackets into the Upper Brackets. (Pull out the Locking Pin before inserting) (Fig.3)
4. Fix the Bottom Support rail using Down Brackets and M6 screws, and then fix two Support Bars at their corner using M6 screws. (Fig.4)
5. Fix the bottom bases to Down Bracket by Support Boxes and M6 screws and washers. (Fig.5)
6. Screw the castors into the corner of Bottom Bases, and then stand upright. (Fig.6.)

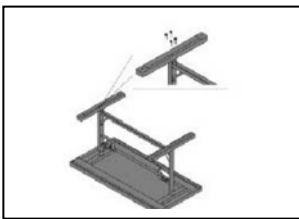


Fig 5



Fig 6



Fig 7

Safety Tips

- Use caution when cleaning or handling to prevent risk of injury from exposed metal edges.
- Do not overload the table or shelf.

Cleaning

- Before use, remove protective film then clean the table.
- Clean the table using a cleaning agent suitable for use with stainless steel and galvanized surfaces.
- Always remove cleaning agent residues, as this can discolor the surface.
- Never leave any surface damp as this may cause discoloration. Wipe dry thoroughly.