

# **AUTRACK4**

## **800 lb 4-POST ALUMINUM**

### **UTILITY TRUCK RACK**

#### **INSTRUCTION MANUAL**



**READ ALL INSTRUCTIONS AND WARNINGS BEFORE USING THIS PRODUCT.**

This manual provides important information on proper operation & maintenance. Every effort has been made to ensure the accuracy of this manual. These instructions are not meant to cover every possible condition and situation that may occur. We reserve the right to change this product at any time without prior notice.

**IF THERE IS ANY QUESTION ABOUT A CONDITION BEING SAFE OR UNSAFE, DO NOT OPERATE THIS PRODUCT!**

**QUESTIONS? PROBLEMS? CALL US FIRST!**

If you experience a problem, have questions or need parts for this product, call Customer Service at **1-636-532-9888, Monday-Friday, 8 AM - 4 PM Central Time**. A copy of the sales receipt is required.

**FOR CONSUMER USE ONLY – NOT FOR PROFESSIONAL USE.**

**KEEP THIS MANUAL, SALES RECEIPT & APPLICABLE WARRANTY FOR FUTURE REFERENCE.**

## Technical Specifications

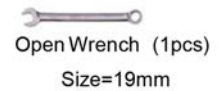
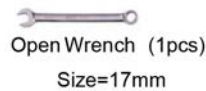
800-lb. load capacity  
 Easy no-drill installation with basic hand tools  
 No holes required in truck bed  
 4 load mounts/stops can be adjusted to secure your cargo  
 Universal design fits both long and short bed pickup trucks and most makes and models  
 Fully adjustable crossbars can fit any truck bed width up to 71in.  
 Lightweight yet strong aluminum construction will never rust  
 Zinc-plated hardware for maximum strength and durability  
 Width of Bars: 1.5"

Property	Specification
<b>Minimum Length</b>	<b>19.7in.</b>
<b>Maximum Length</b>	<b>76in.</b>
<b>Width</b>	<b>12.6in.</b>
<b>Height</b>	<b>37in.</b>

## Pre-Assembly

Determine if the rack will be installed on a LONG BED or SHORT BED truck. **IMPORTANT: DO NOT** tighten any bolts during the following steps. Wait until assembly is complete.

### Tools required for assembly:

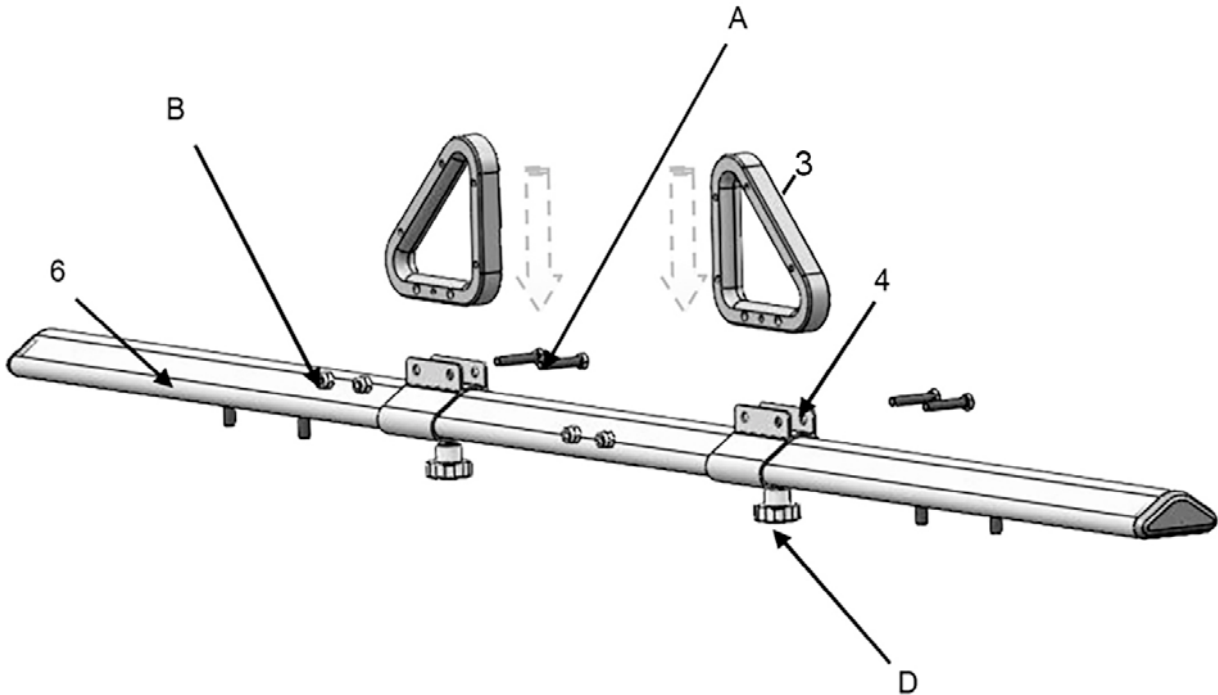


## HARDWARE LIST

Hardware	Description	Image	Quantity	Hardware	Description	Image	Quantity
A	M8*40 Bolt		8	F	12 washer		8
B	M8 Lock nut		8	G	12 spring washer		8
C	M10*25 bolt		12	H	M12 nut		8
D	Adjustment knob		4	I	10 washer		16
E	10 spring washer		12	J	M10 Lock nut		8

**Step 1**

Slide triangular stop (3) into a mounting sleeve (4), tighten with M8\*40 bolt (A) and M8 lock nut (B). Repeat until all 4 triangular stops are assembled.



**Step 2**

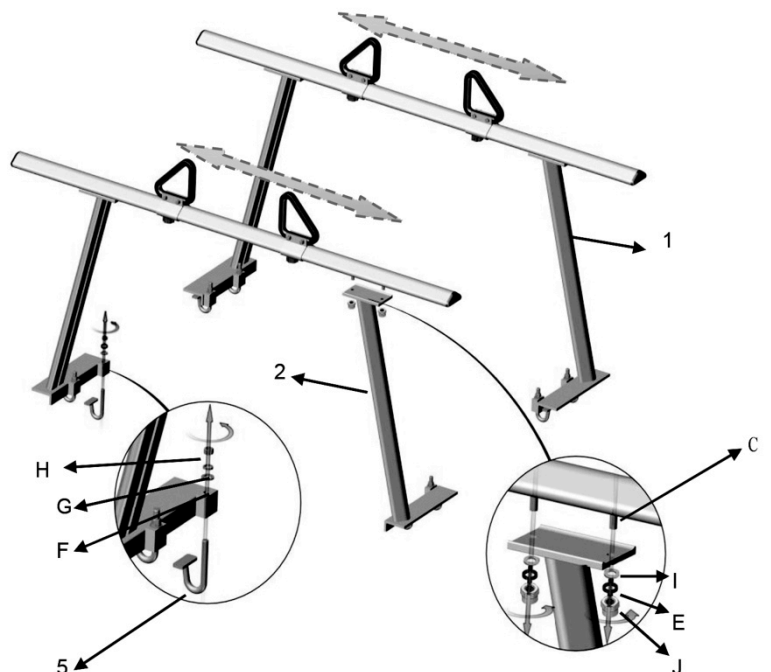
Attach the assembled Cross Bar (6) to Post A (1). Secure with M10\*25 bolt (C), 10 spring washer (E), 10 washer (I) and M10 locking nut (J). Make sure the lip of mounting foot of Post A (1) faces toward the inside of truck bed. (Fig.2)

**Step 3**

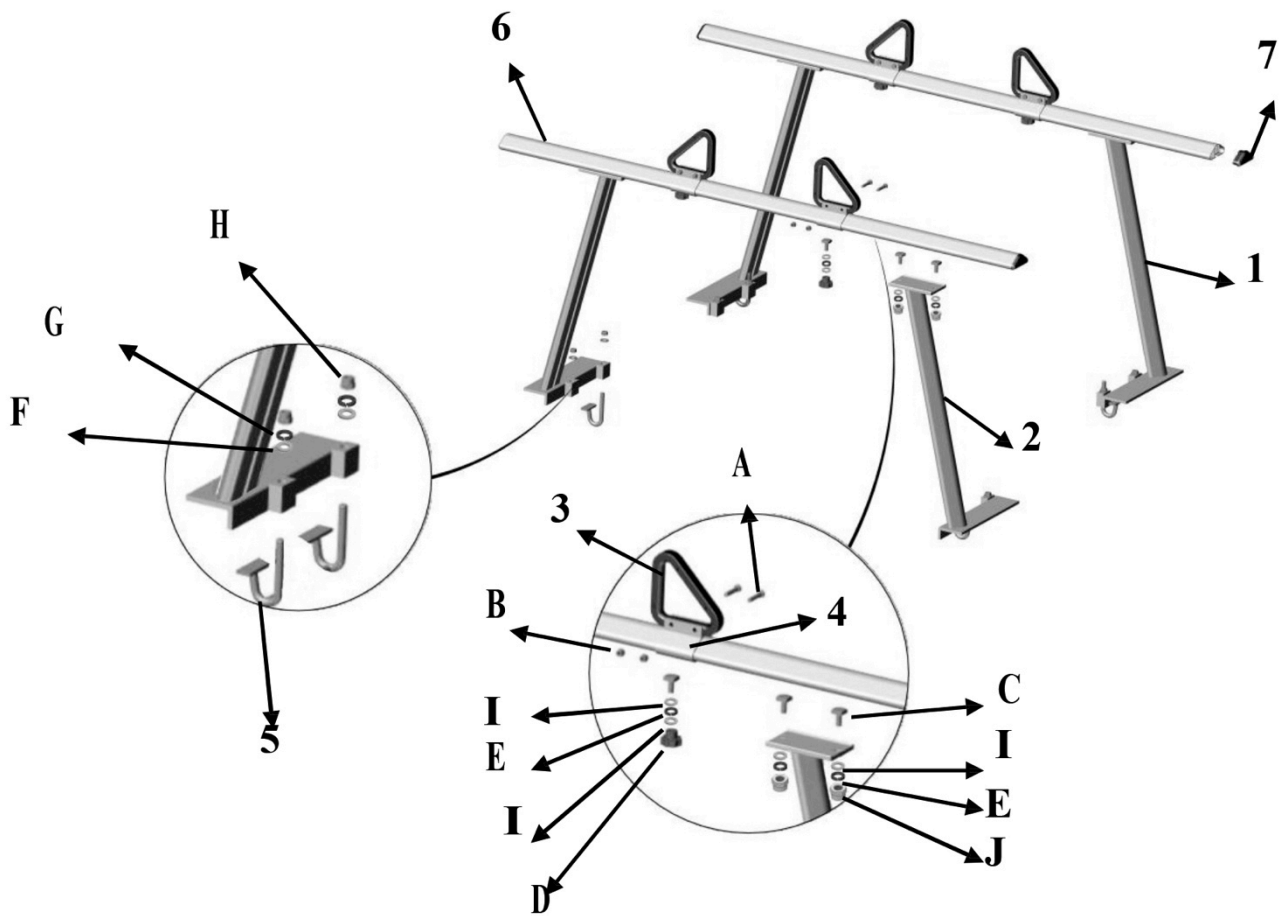
Attach the assembled Cross Bar (6) to Post B (2). Securing with M10\*25 bolt (C), 10 spring washer (E), 10 washer (I) and M10 locking nut (J). Make sure the lip of mounting foot of Post B (2) faces toward the inside of the truck bed.

**Step 4**

Position above assembled rack onto side rail of truck bed, the Feet lips should be flush with the insides of side rail. Insert J-Hooks (5) up through the mounting tubes on each Foot; tighten with 12 Washers (F), 12 Spring Washers (G) and M12 Nuts (H). Repeat for the other three Posts. (Fig.2)



## PARTS DIAGRAM



## PARTS LIST

	Description	Quantity
1	Post A	2
2	Post B	2
3	Triangular stop	4
4	Mounting sleeve	4
5	J Hook	8
6	Cross Bar	2
7	Plastic end cover	4

201707