



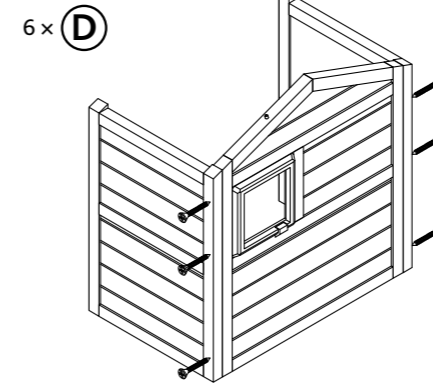


Pos.	Description	Measurement	Quantity	Item
1	Front Panel	24.25 × 16.5 × 1 in. (617 × 425 × 30 mm)	1	44115-10
2	Back Wall	24.25 × 28.5 × 1 in. (617 × 725 × 30 mm)	1	44115-20
3	Side Panel, universal	16.75 × 24 × 1 in. (426 × 613 × 30 mm)	2	44115-21
4	Roof Panel, left	20.5 × 16 × 1.25 in. (524 × 410 × 34 mm)	1	44115-30
5	Roof Panel, right	20.5 × 16 × 1.25 in. (524 × 410 × 34 mm)	1	44115-31
6	Flooring Part	24 × 14 × 0.5 in. (615 × 360 × 14 mm)	1	44115-40
7	Roof Ridge	21.5 × 2.75 × 1.5 in. (550 × 73 × 39 mm)	1	44115-41
8	Stairs	24 × 0.5 × 0.75 in. (615 × 18 × 20 mm)	1	44115-42
9	2-Way cat flap	8.25 × 8.25 in. (210 × 210 mm)	2	38601

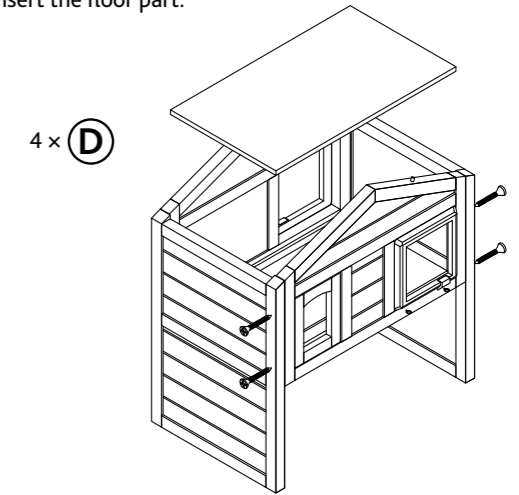
Pos.	Description	Size	Quantity	Item
A	Countersunk screw	 $\varnothing 0.118 \times 0.629$ in. ($\varnothing 3 \times 16$ mm)	4+1	44115-50
B	Countersunk screw	 $\varnothing 0.138 \times 0.984$ in. ($\varnothing 3.5 \times 25$ mm)	2+1	
C	Countersunk screw	 $\varnothing 0.138 \times 1.378$ in. ($\varnothing 3.5 \times 35$ mm)	4+1	
D	Countersunk screw	 $\varnothing 0.138 \times 2.165$ in. ($\varnothing 3.5 \times 55$ mm)	10+1	
E	Hardware set for cat flap		1	38601-12
F	Replacement flap for #38601	5.75 × 6 in. (147 × 158 mm)	1	3860-20
G	Frame for cat flap		1	38661

Fix the back wall (2) to the side panel (3).



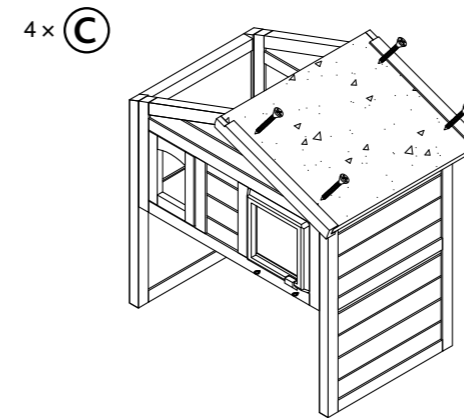
1.

Fix the front part (1) to the side panel (3).
Insert the floor part.



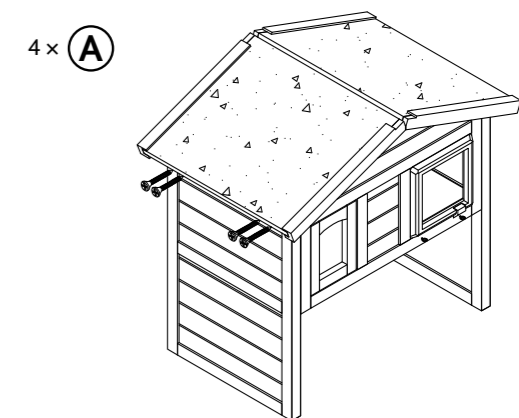
2.

Fix the roof (5) to the house.



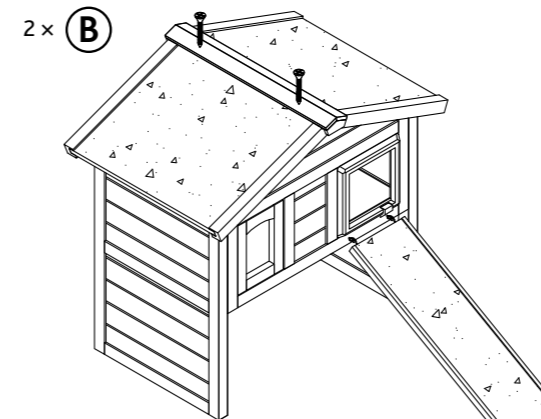
3.

Fix the roof (4) to the house.



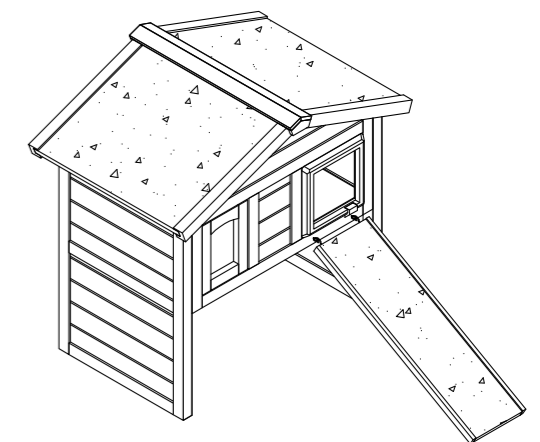
4.

Fix the ridge (7) to the roofs (4/5).



5.

Finish.



6.